



US00D657646S

(12) **United States Design Patent**  
**Schoch et al.**

(10) **Patent No.:** **US D657,646 S**  
(45) **Date of Patent:** **\*\* Apr. 17, 2012**

(54) **POWERED SCREWDRIVER**

(75) Inventors: **Robert B. Schoch**, Baltimore, MD (US);  
**Thomas W. Murray**, Baltimore, MD (US)

(73) Assignee: **Black & Decker Inc.**, Newark, DE (US)

(\*\*) Term: **14 Years**

(21) Appl. No.: **29/406,752**

(22) Filed: **Nov. 18, 2011**

(51) **LOC (9) Cl.** ..... **08-01**

(52) **U.S. Cl.** ..... **D8/61**

(58) **Field of Classification Search** ..... D8/61,  
D8/67, 70, 107, 64; 409/182, 180, 134, 132,  
409/131; 144/48.6, 252.1, 154.5, 136.95,  
144/153; 279/48; 173/29

See application file for complete search history.

(56) **References Cited**

U.S. PATENT DOCUMENTS

D279,254 S	6/1985	Smith et al.	
D326,043 S	5/1992	Hasegawa et al.	
D339,279 S	9/1993	Baum	
D378,727 S	4/1997	Kikuchi	
D387,964 S	12/1997	Urvoy	
D392,532 S	3/1998	Shiao	
D392,535 S	3/1998	Vasudeva et al.	
D414,668 S	* 10/1999	Duennes et al.	D8/68
D443,491 S	* 6/2001	Robson	D8/61
D462,593 S	* 9/2002	Nottingham et al.	D8/68
D476,542 S	* 7/2003	Chunn et al.	D8/61
D485,737 S	* 1/2004	Schaub et al.	D8/68
D486,713 S	* 2/2004	Lai	D8/68
D493,888 S	8/2004	Reschke	
D494,829 S	8/2004	Lin	
D507,730 S	* 7/2005	Oles et al.	D8/61

D509,719 S	* 9/2005	Chu	D8/61
D513,160 S	* 12/2005	DeBoer et al.	D8/68
D517,634 S	3/2006	Nunez et al.	
D526,550 S	* 8/2006	Aglassinger	D8/68
D531,872 S	* 11/2006	Aglassinger	D8/68
D534,651 S	1/2007	Bruce et al.	
D548,558 S	* 8/2007	Murray	D8/68
D565,380 S	4/2008	Riner	
D569,210 S	* 5/2008	Chien	D8/87
D582,742 S	* 12/2008	Aglassinger	D8/68
D586,195 S	* 2/2009	Okuda	D8/61
D589,771 S	* 4/2009	Lee	D8/61
D606,827 S	* 12/2009	Fritz et al.	D8/61
D613,144 S	4/2010	Lin	
D618,527 S	6/2010	Deguglimo et al.	
D632,536 S	* 2/2011	Solar et al.	D8/61

\* cited by examiner

*Primary Examiner* — Austin Murphy

(74) *Attorney, Agent, or Firm* — Stephen R. Valancius

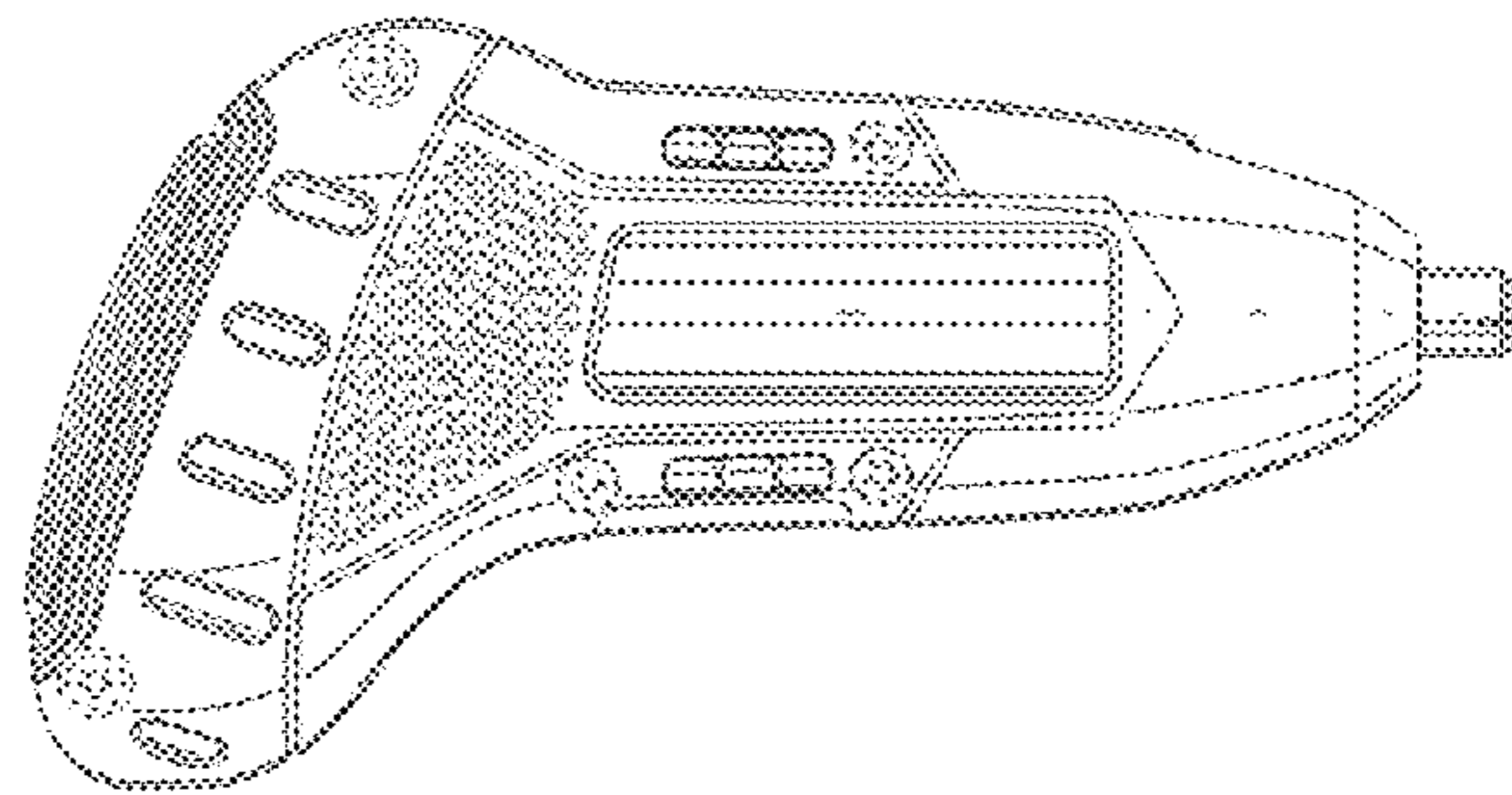
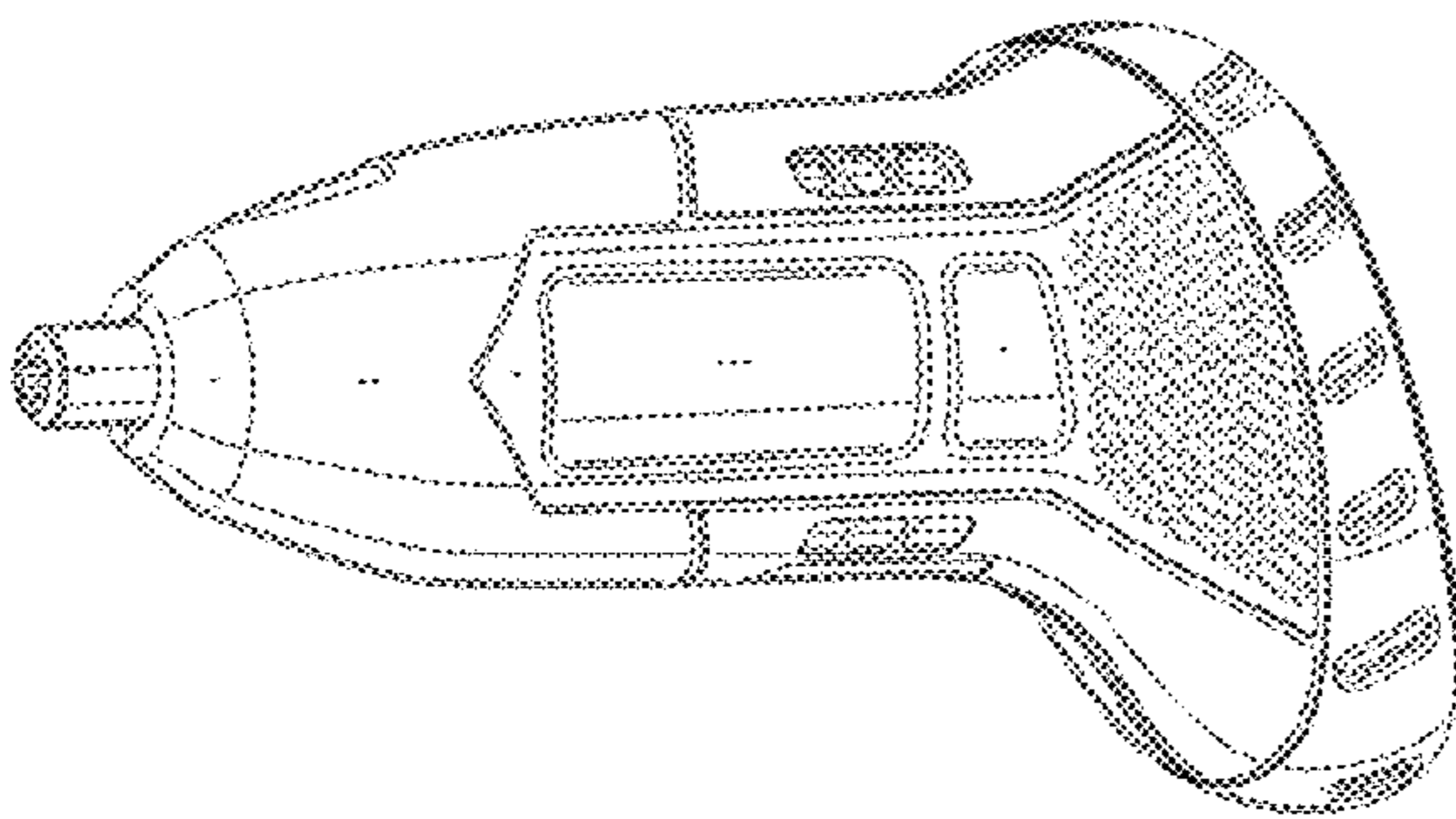
(57) **CLAIM**

The ornamental design for a powered screwdriver, as shown and described.

**DESCRIPTION**

FIG. 1 is a perspective view of a powered screwdriver according to the present invention; FIG. 2 is a front view of the powered screwdriver of FIG. 1; FIG. 3 is a back view of the powered screwdriver of FIG. 1; FIG. 4 is a right side view of the powered screwdriver of FIG. 1; FIG. 5 is a left side view of the powered screwdriver of FIG. 1; FIG. 6 is a top view of the powered screwdriver of FIG. 1; and, FIG. 7 is a bottom view of the powered screwdriver of FIG. 1. The broken lines in the figures illustrate features that form no part of the claimed design.

**1 Claim, 6 Drawing Sheets**



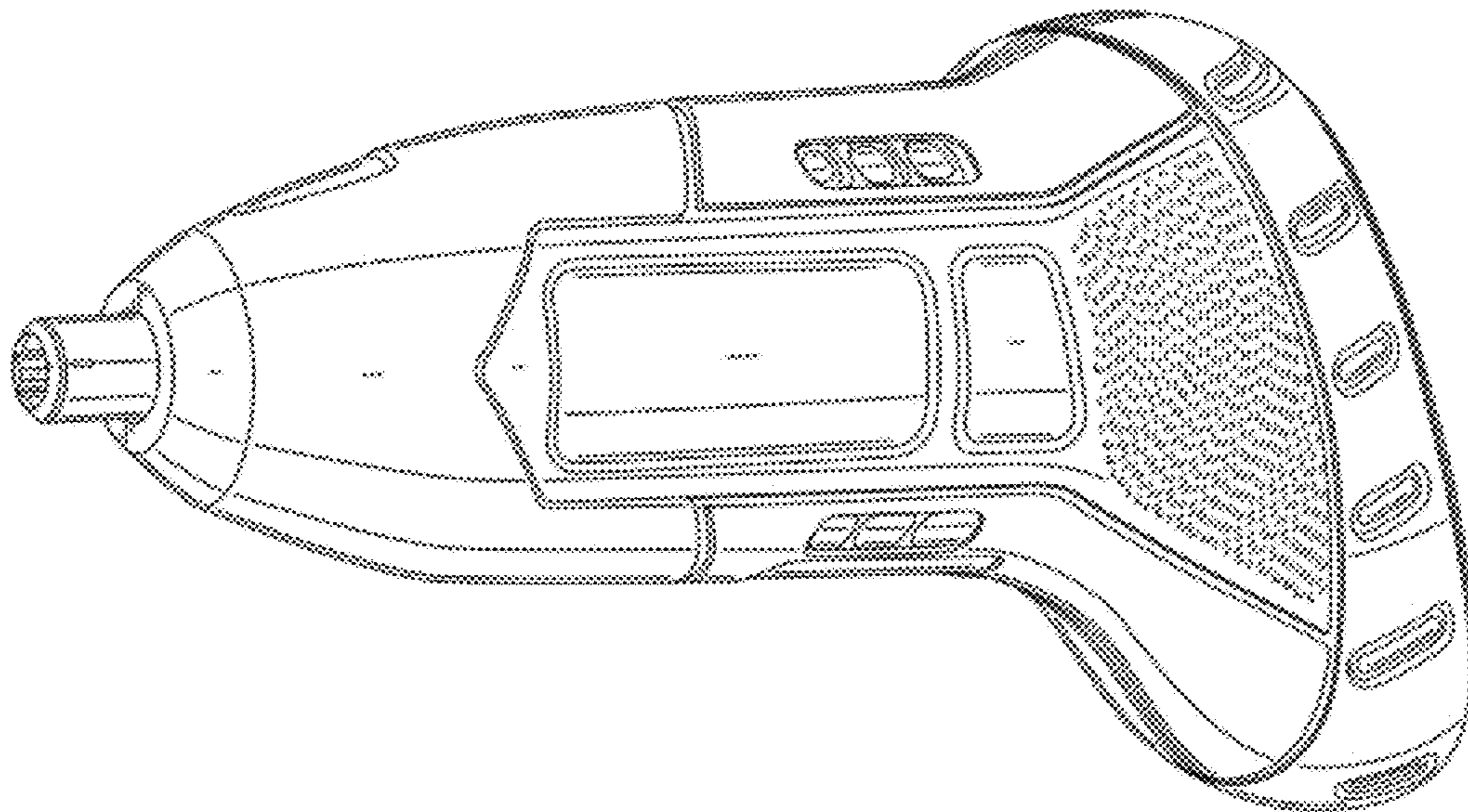


FIG. 1

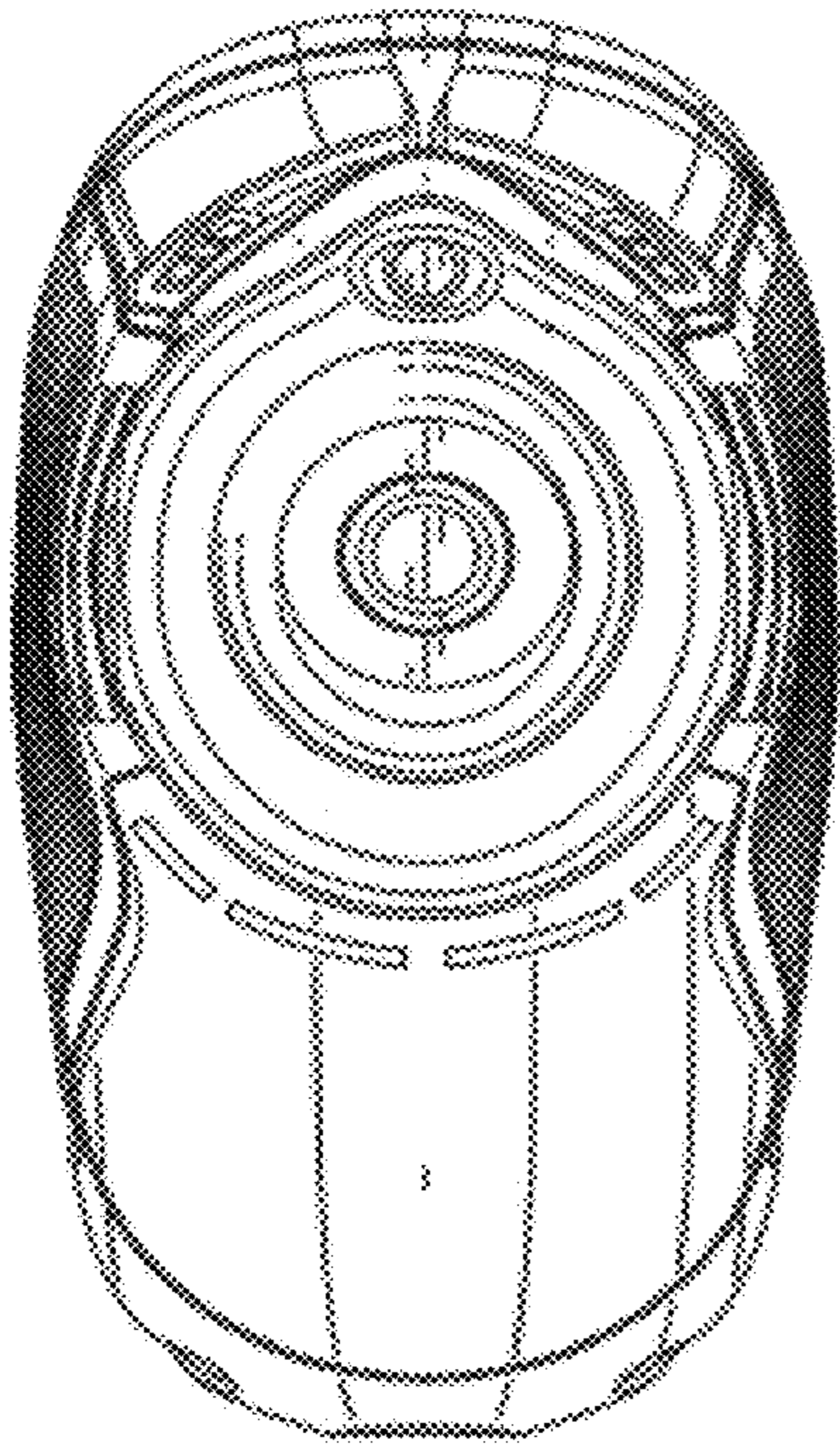


FIG. 2

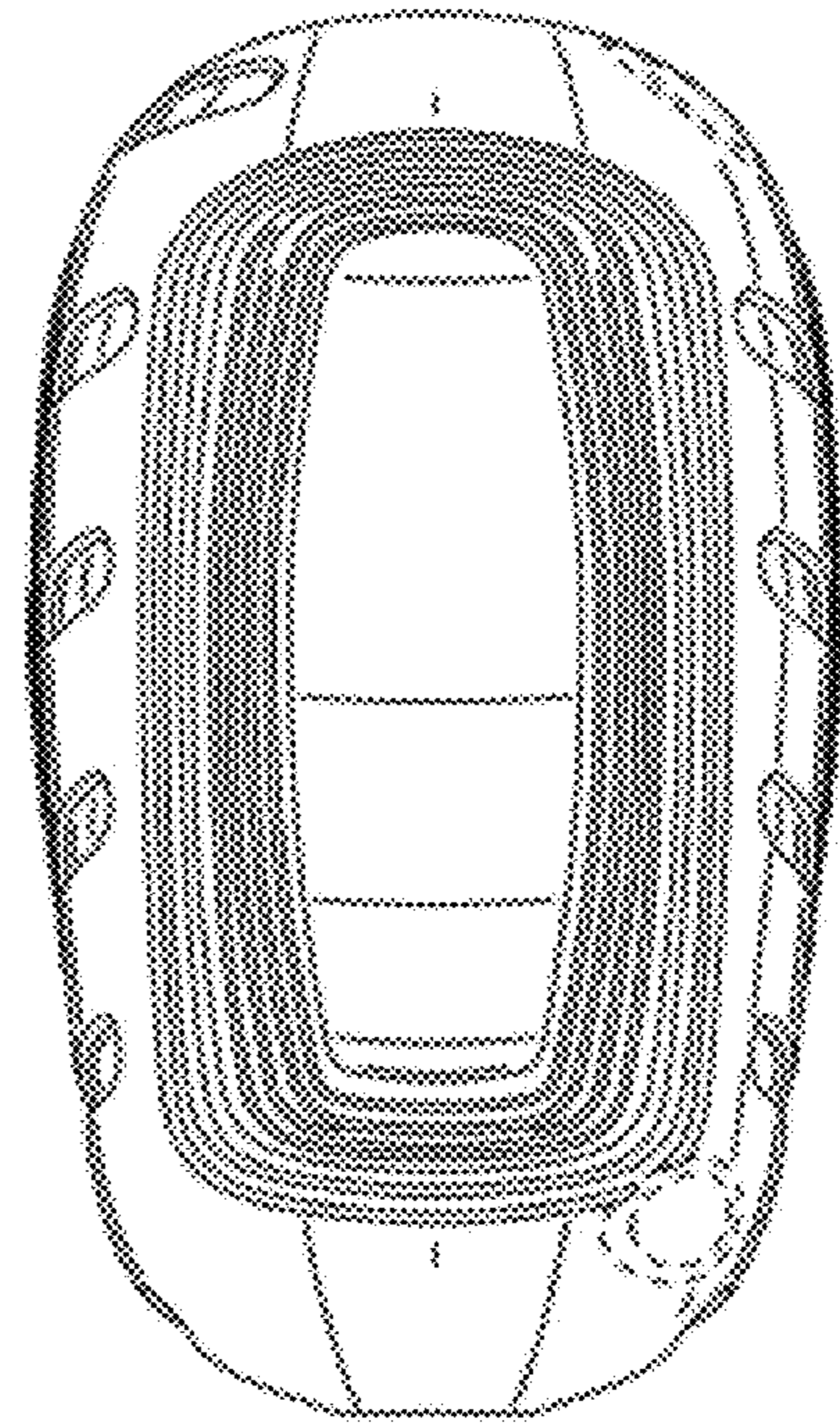


FIG. 3

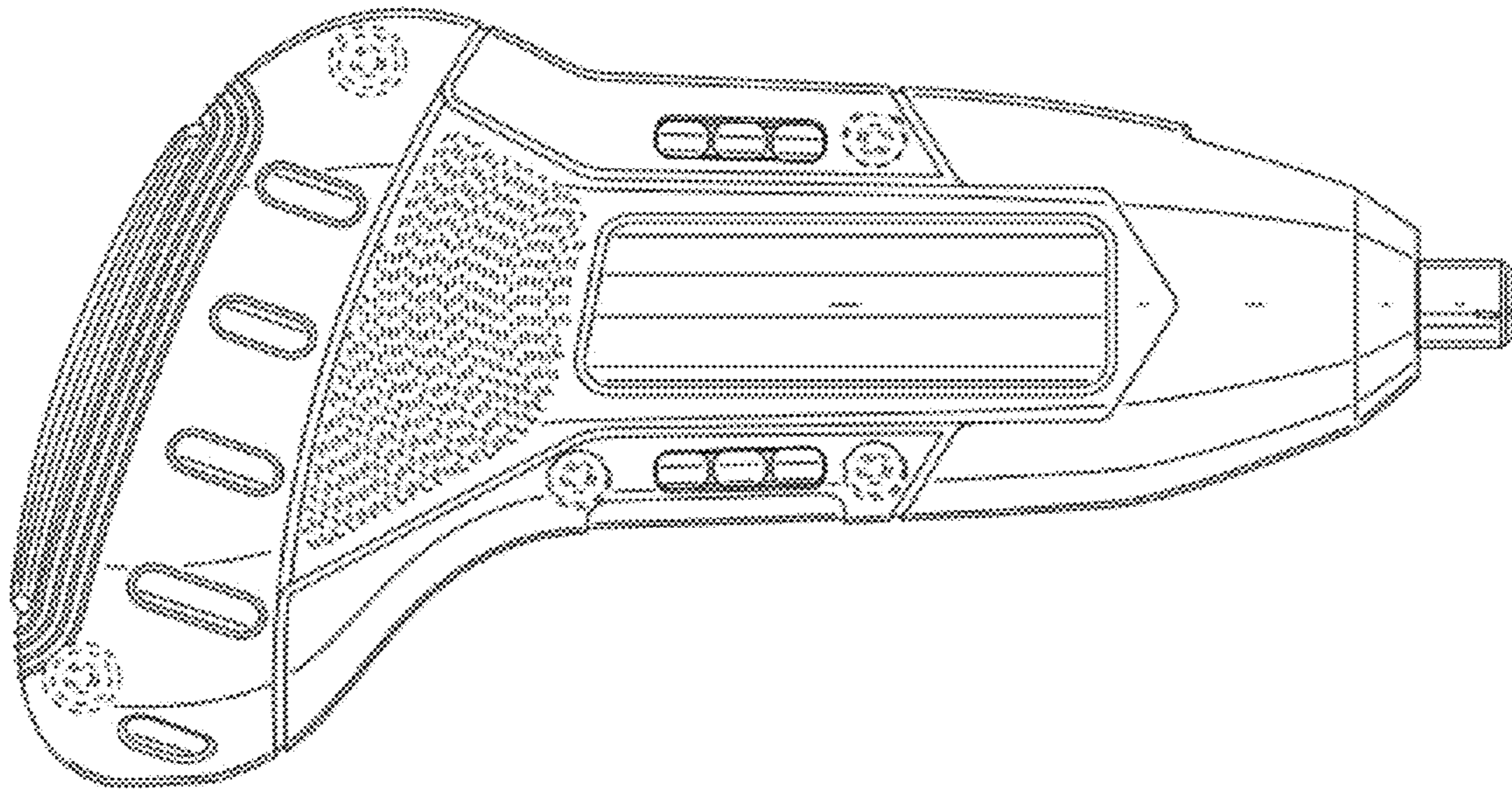


FIG. 4

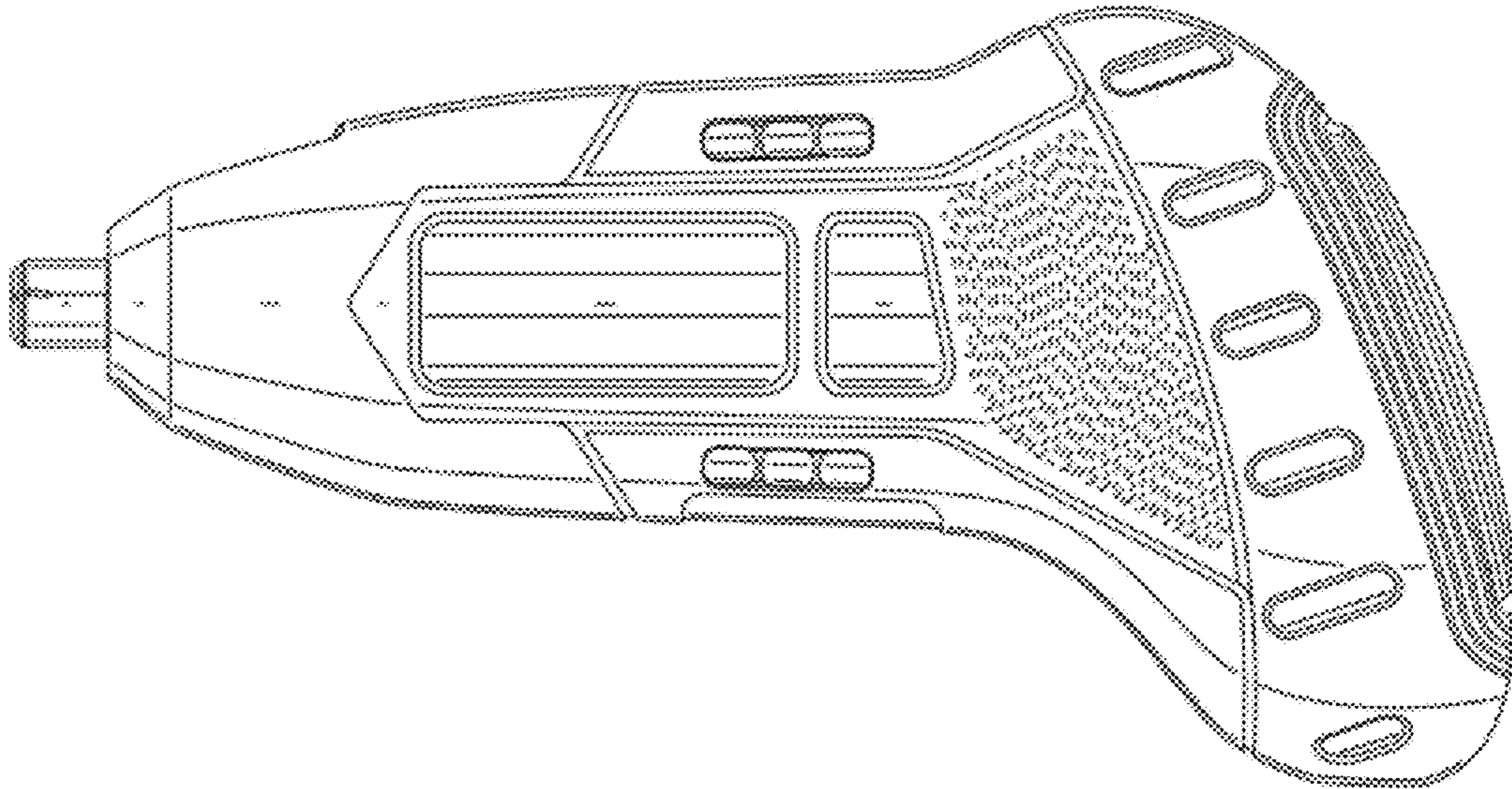


FIG. 5

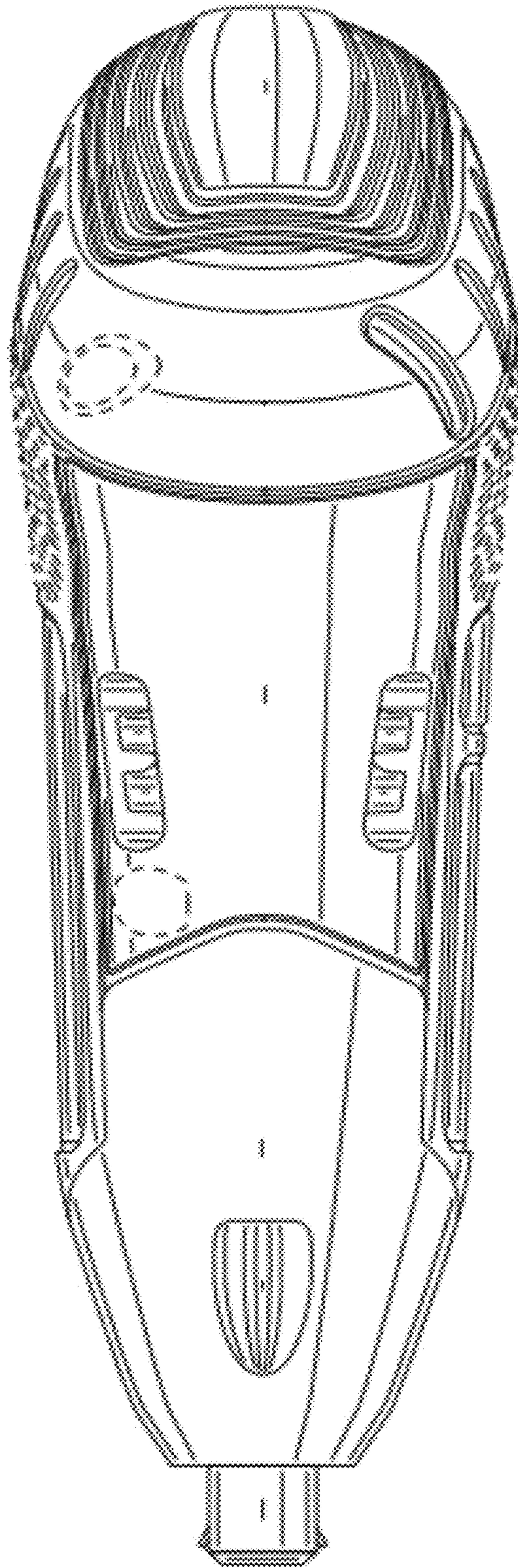


FIG. 6

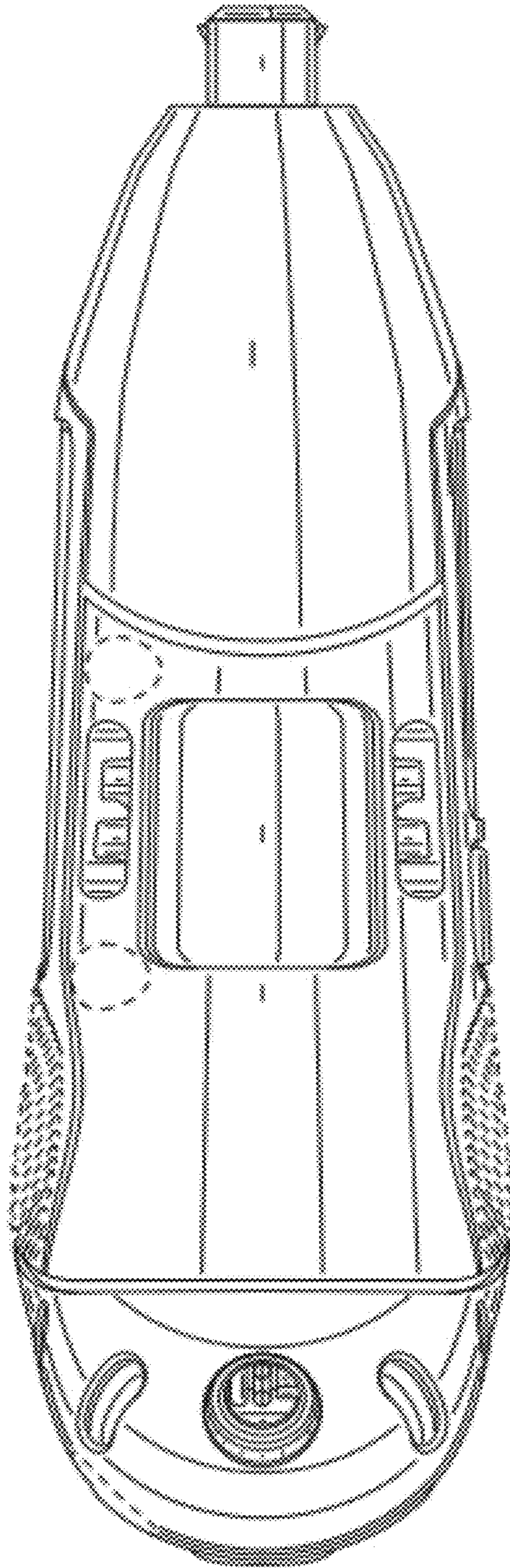


FIG. 7