



US00D657645S

(12) **United States Design Patent**
Scott

(10) **Patent No.:** **US D657,645 S**

(45) **Date of Patent:** **** Apr. 17, 2012**

(54) **PATIO DOOR TOOL**

(76) Inventor: **A. Charles Scott**, Deerfield, IL (US)

(**) Term: **14 Years**

(21) Appl. No.: **29/373,849**

(22) Filed: **May 31, 2011**

(51) **LOC (9) Cl.** **08-05**

(52) **U.S. Cl.** **D8/51**

(58) **Field of Classification Search** D8/14,
D8/51, 52, 400-499; 29/237, 238, 268; 81/302,
81/53.11, 427, 429.5, 3.8

See application file for complete search history.

(56) **References Cited**

U.S. PATENT DOCUMENTS

D215,694 S *	10/1969	Scime	D8/51
3,770,259 A *	11/1973	Wagreich	269/21
D237,939 S *	12/1975	Seminario	D8/59
D265,171 S *	6/1982	Zukaitis	D8/44
D266,826 S *	11/1982	McHaney	D8/51

D298,209 S *	10/1988	Hoke	D8/72
D337,929 S *	8/1993	Campfield, Jr.	D8/51
D373,059 S *	8/1996	Hodges	D8/51

* cited by examiner

Primary Examiner — Barbara Fox

(74) *Attorney, Agent, or Firm* — Justin Lampel

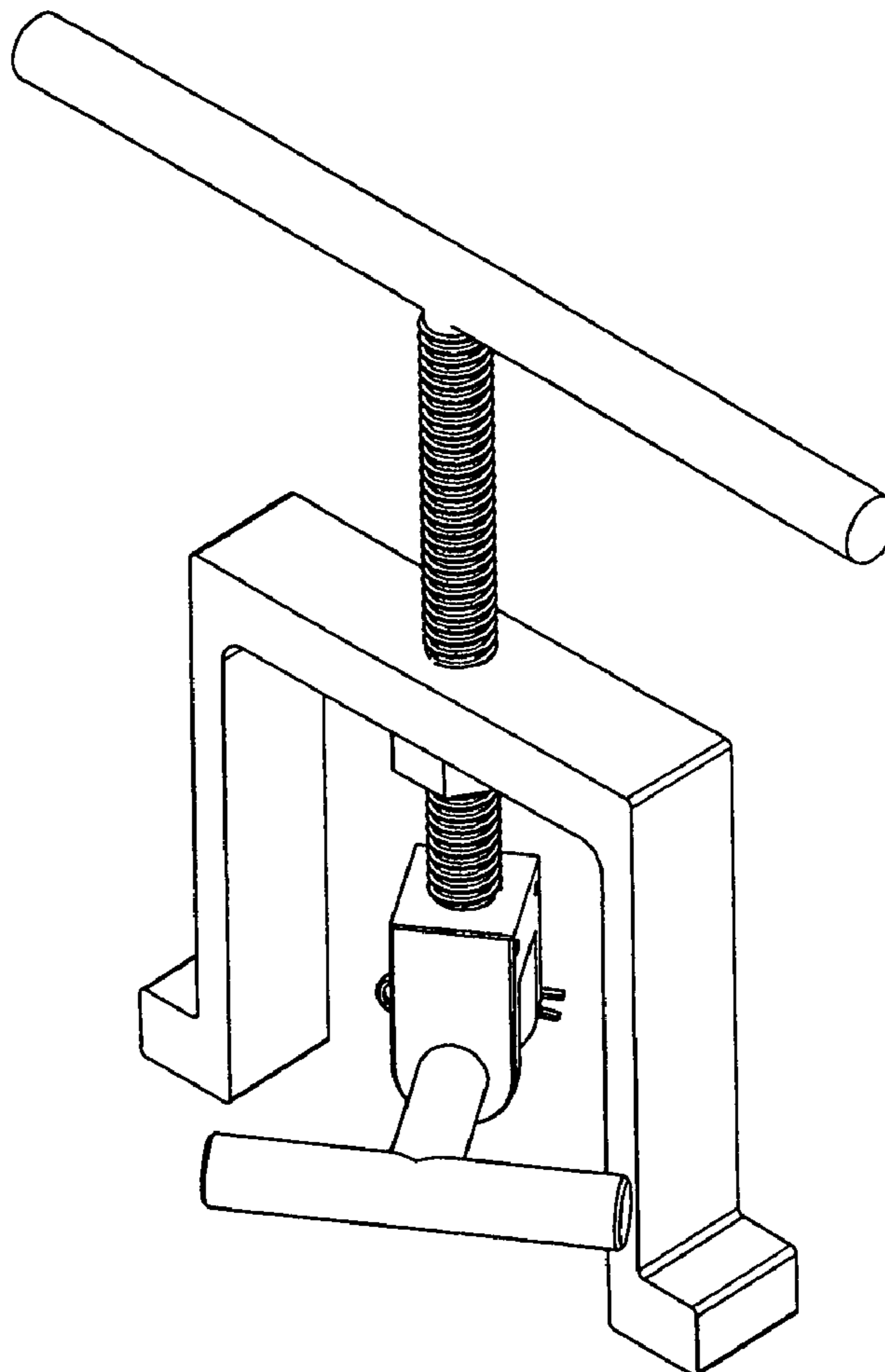
(57) **CLAIM**

The ornamental design for a patio door tool, as shown and described.

DESCRIPTION

FIG. 1 is a front view of the patio door tool;
FIG. 2 is a back view of the patio door tool;
FIG. 3 is a side view of the patio door tool;
FIG. 4 is a side view of the patio door tool;
FIG. 5 is a top view of the patio door tool;
FIG. 6 is a bottom view of the patio door tool; and,
FIG. 7 is a front perspective view of the patio door tool.
The broken lines shown in the drawings represent portions of the patio door tool that form no part of the claimed design.

1 Claim, 4 Drawing Sheets



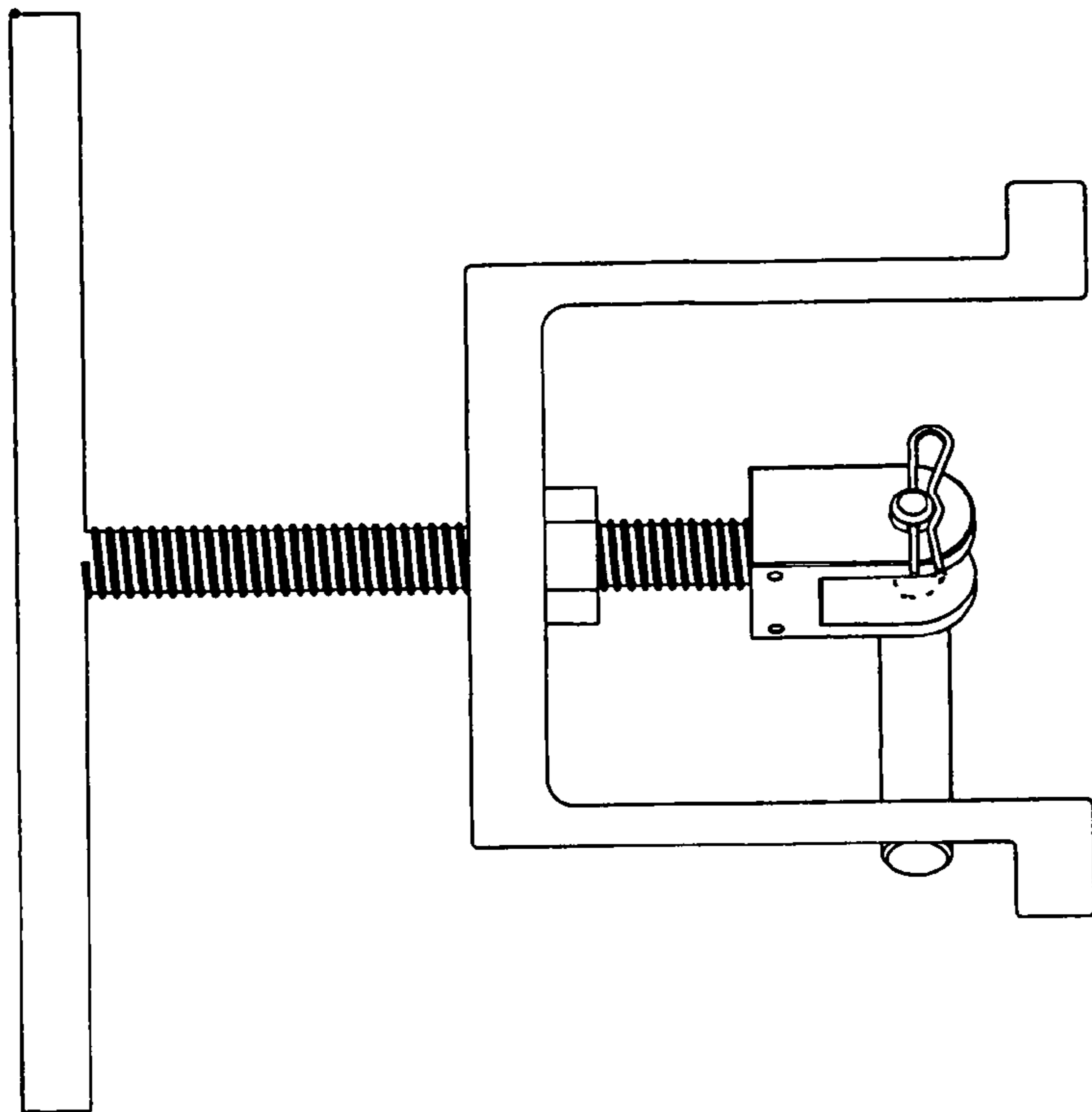


Figure 2

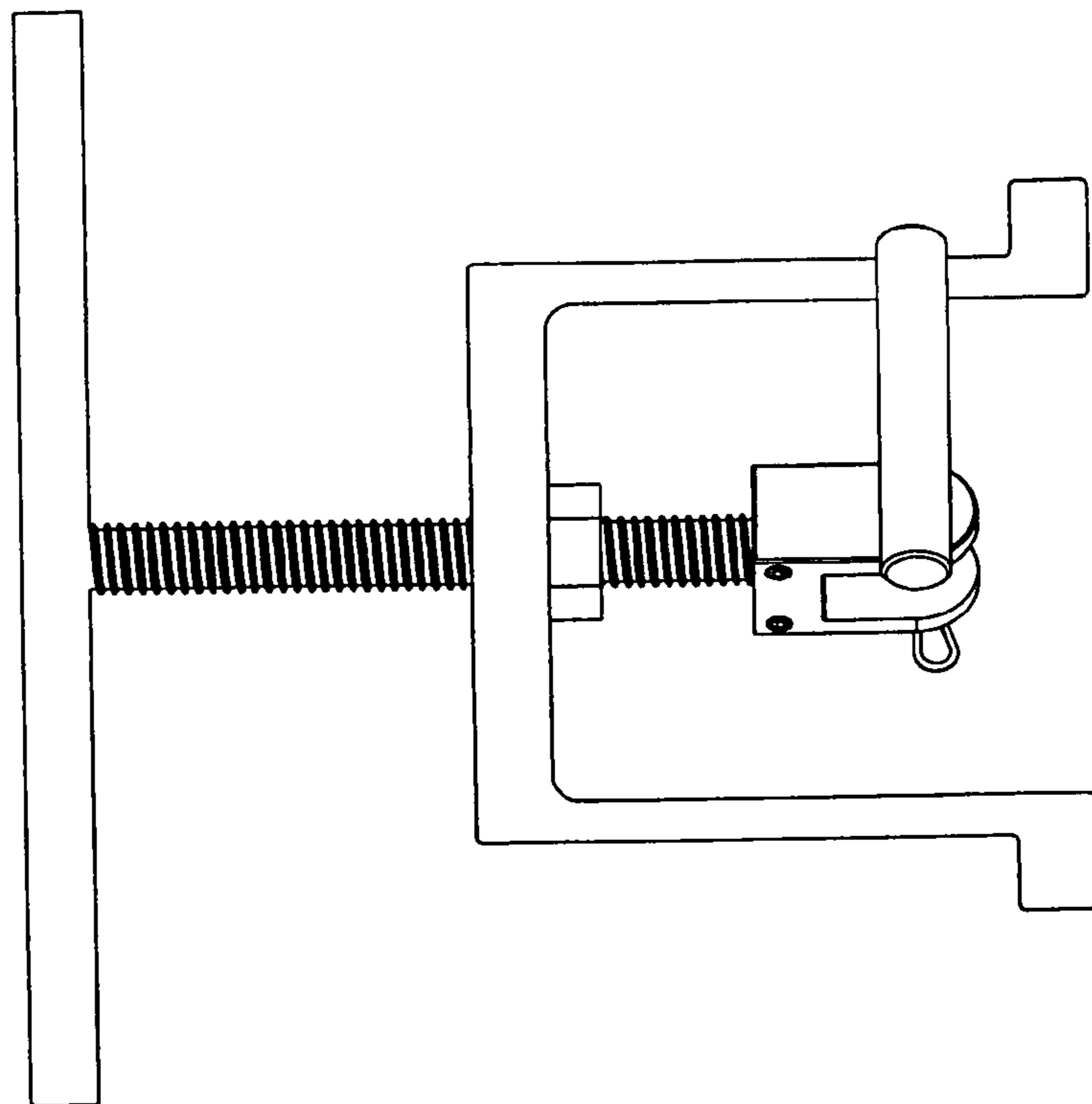


Figure 1

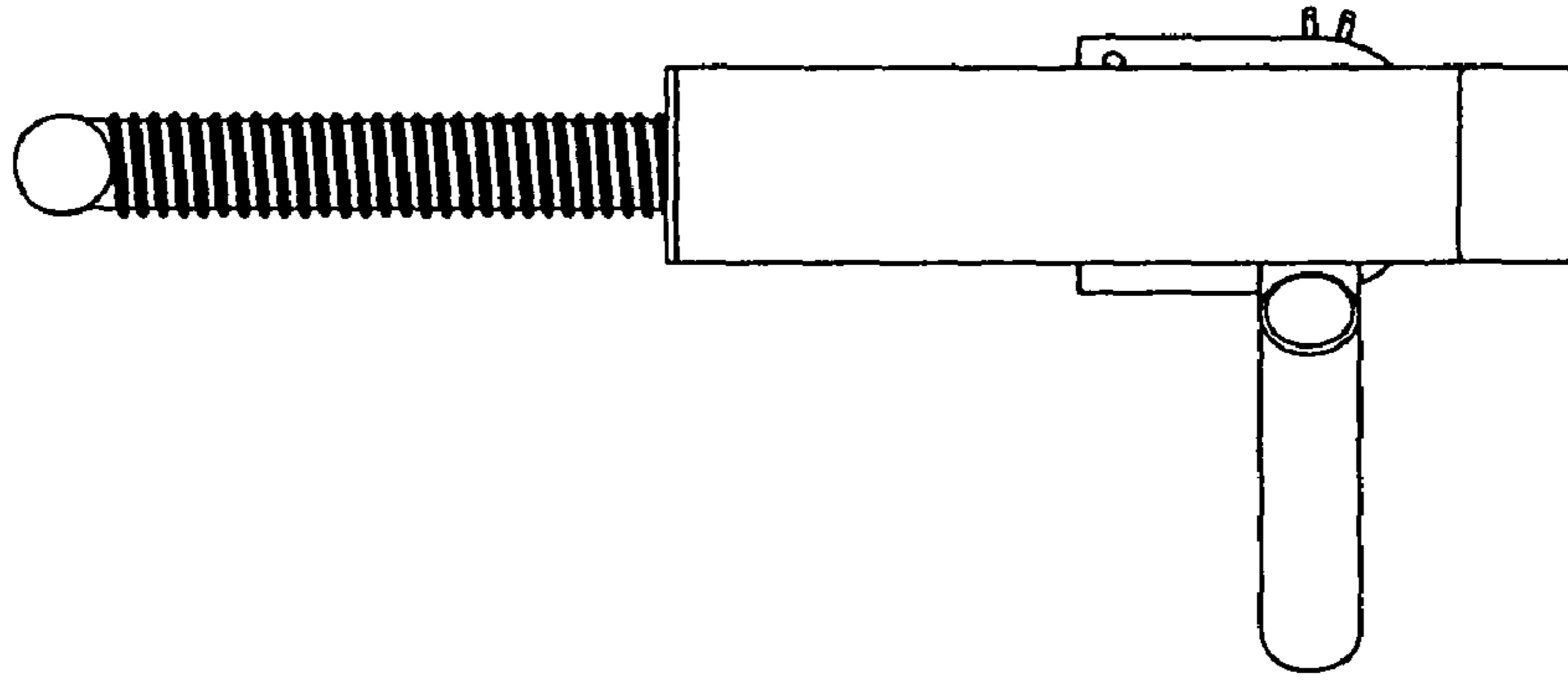


Figure 4

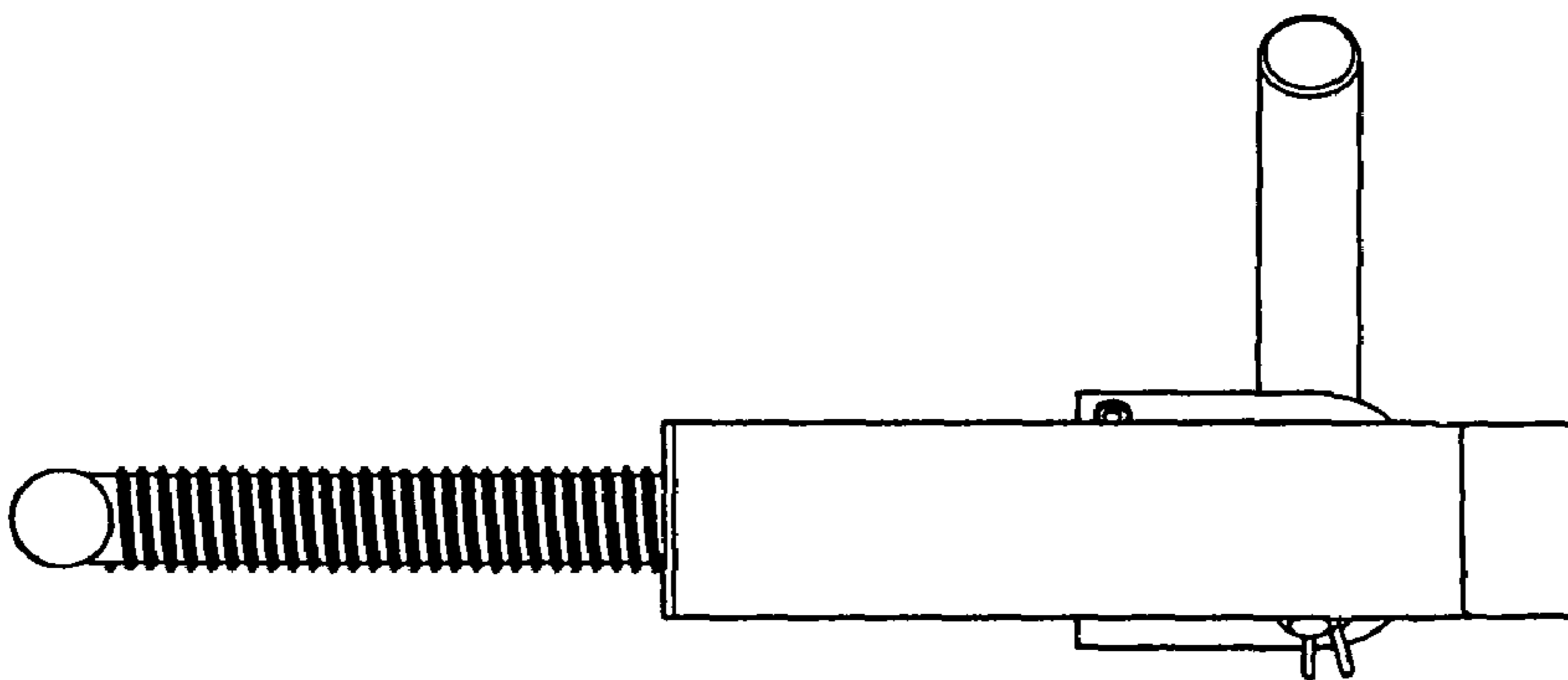


Figure 3

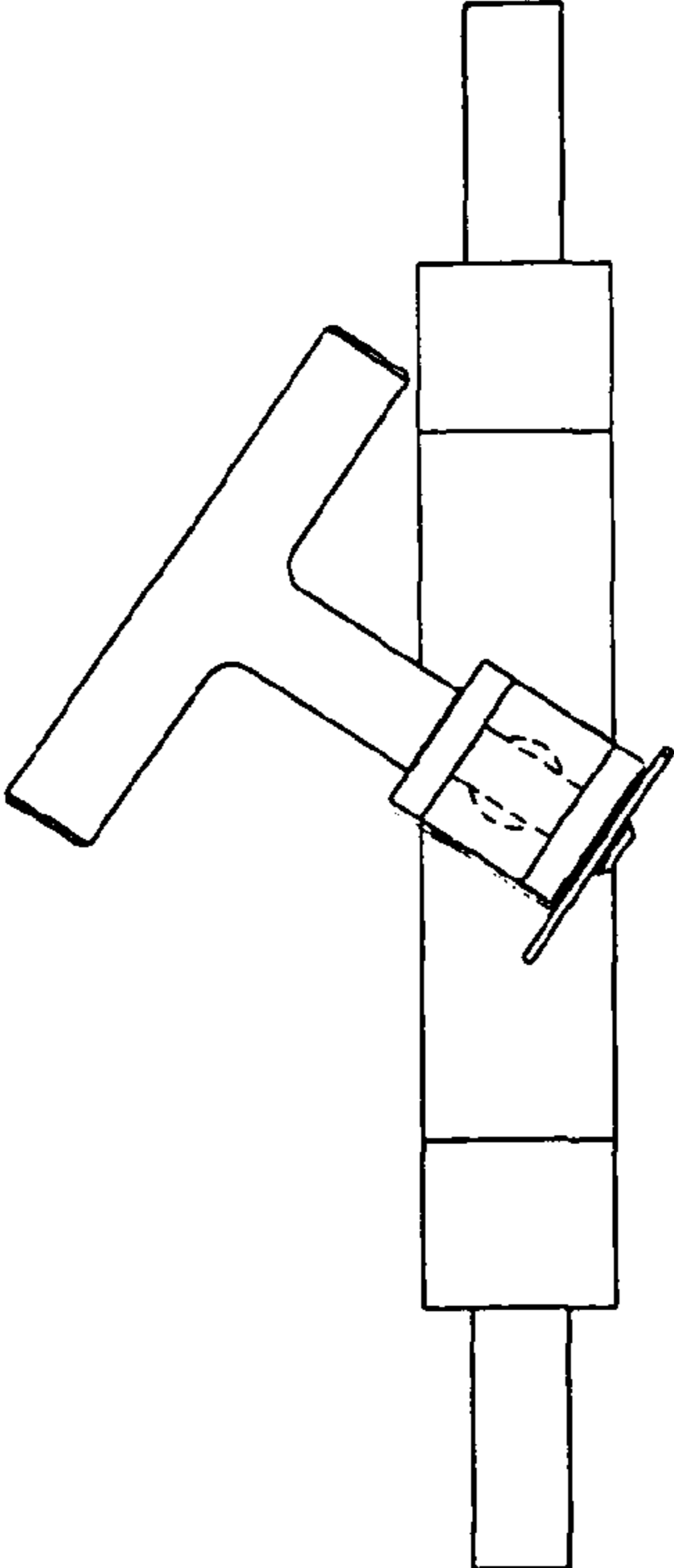


Figure 6

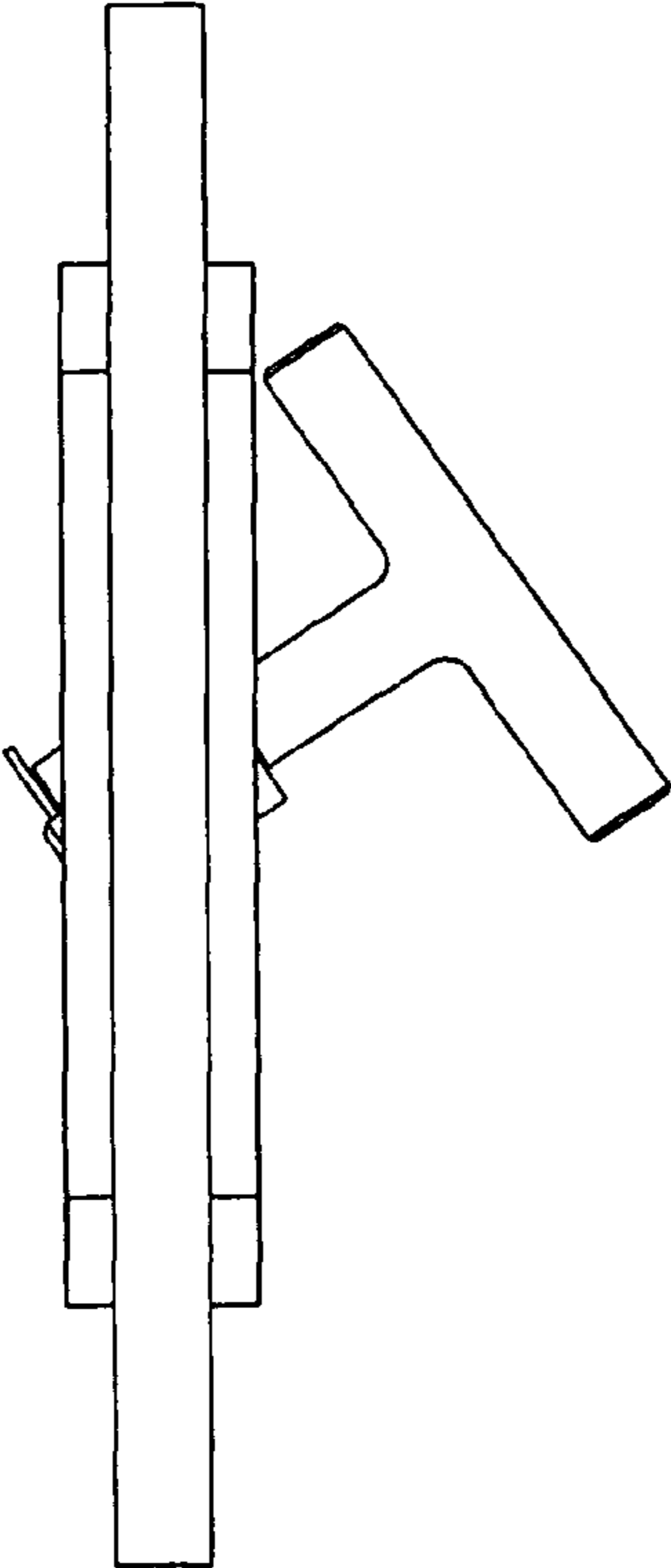


Figure 5

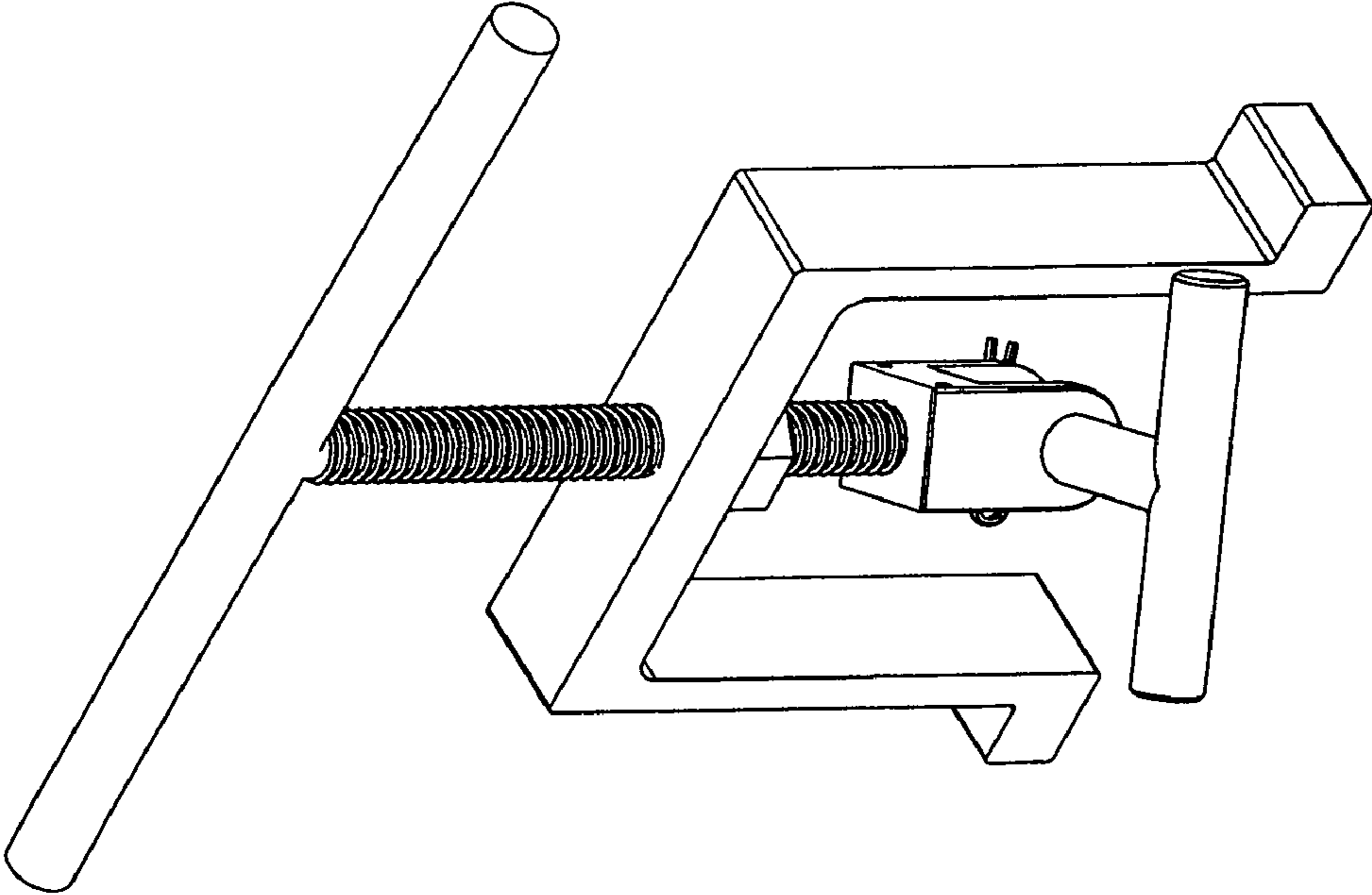


Figure 7