



US00D657644S

(12) **United States Design Patent**  
**Romley**

(10) **Patent No.:** **US D657,644 S**

(45) **Date of Patent:** **\*\* Apr. 17, 2012**

(54) **BOTTLE OPENER**

(75) Inventor: **Michael Romley**, Phoenix, AZ (US)

(73) Assignee: **Red Cup Living LLC**, Phoenix, AZ (US)

(\*\*) Term: **14 Years**

(21) Appl. No.: **29/405,533**

(22) Filed: **Nov. 3, 2011**

(51) **LOC (9) Cl.** ..... **07-99**

(52) **U.S. Cl.** ..... **D8/40; D8/38**

(58) **Field of Classification Search** ..... D8/14,  
D8/16-19, 33-43, 88, 89, 105; D11/143,  
D11/152; 7/113, 151-156; 81/3.07, 3.09,  
81/3.2, 3.27, 3.29, 3.31, 3.35, 3.37, 3.4, 3.48,  
81/3.49, 3.55

See application file for complete search history.

(56) **References Cited**

**U.S. PATENT DOCUMENTS**

D26,638 S \* 2/1897 Meier ..... D8/14  
D110,286 S \* 6/1938 Krehbiel ..... D11/152  
4,726,264 A \* 2/1988 Bost ..... 81/3.4

D319,957 S \* 9/1991 Bergmeister ..... D8/42  
D340,674 S \* 10/1993 Carlson ..... D11/152  
D405,387 S \* 2/1999 Masello ..... D11/152  
D437,538 S \* 2/2001 Corredor et al. .... D8/38  
D603,237 S \* 11/2009 Corredor-Londono ..... D8/38

\* cited by examiner

*Primary Examiner* — Garth Rademaker

(74) *Attorney, Agent, or Firm* — Charles E. Runyan

(57) **CLAIM**

The ornamental design for a bottle opener, as shown and described.

**DESCRIPTION**

FIG. 1 is a rear perspective view of a bottle opener, showing the novel design;

FIG. 2 is a front perspective view of the bottle opener of FIG. 1;

FIG. 3 is a rear view of the bottle opener of FIG. 2;

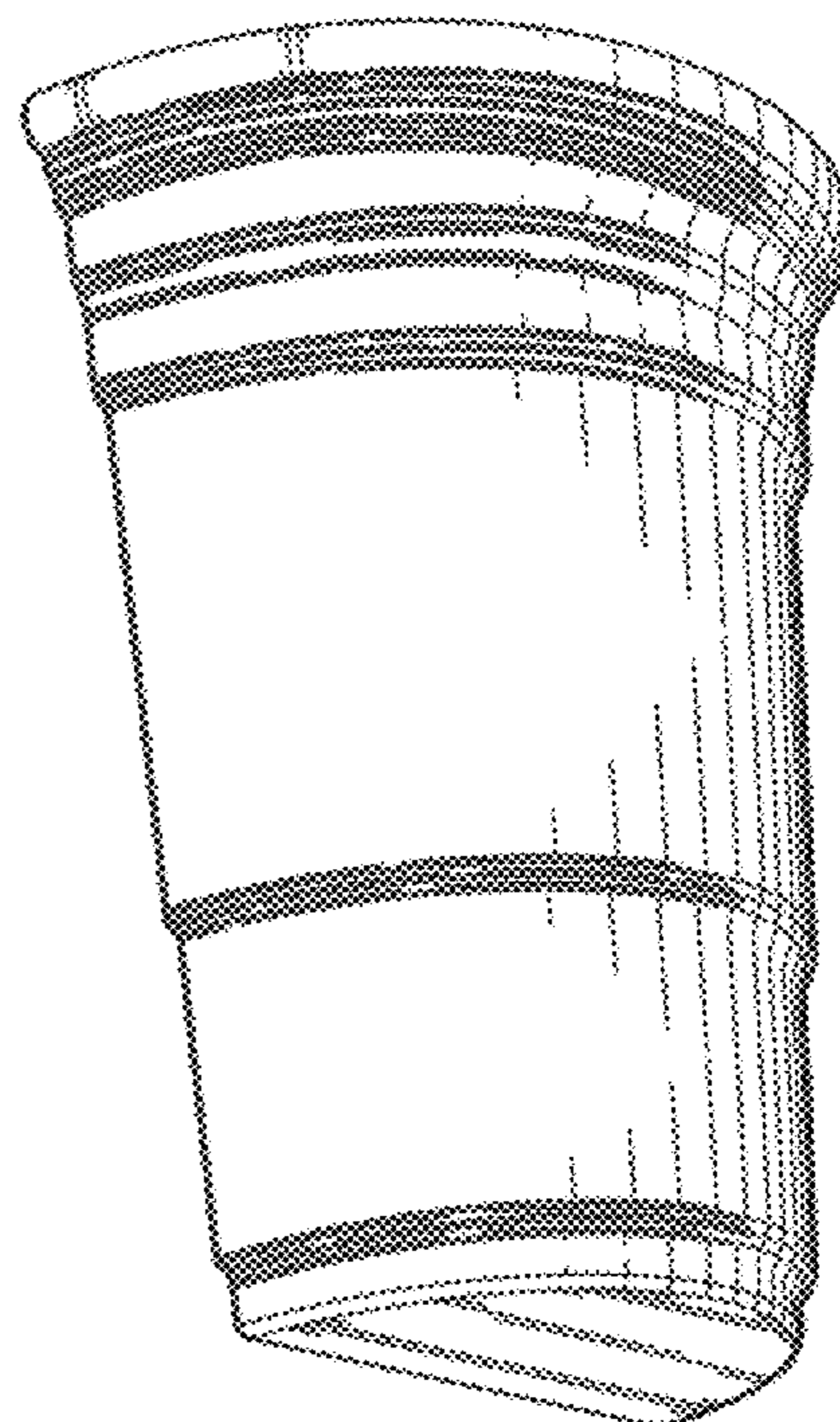
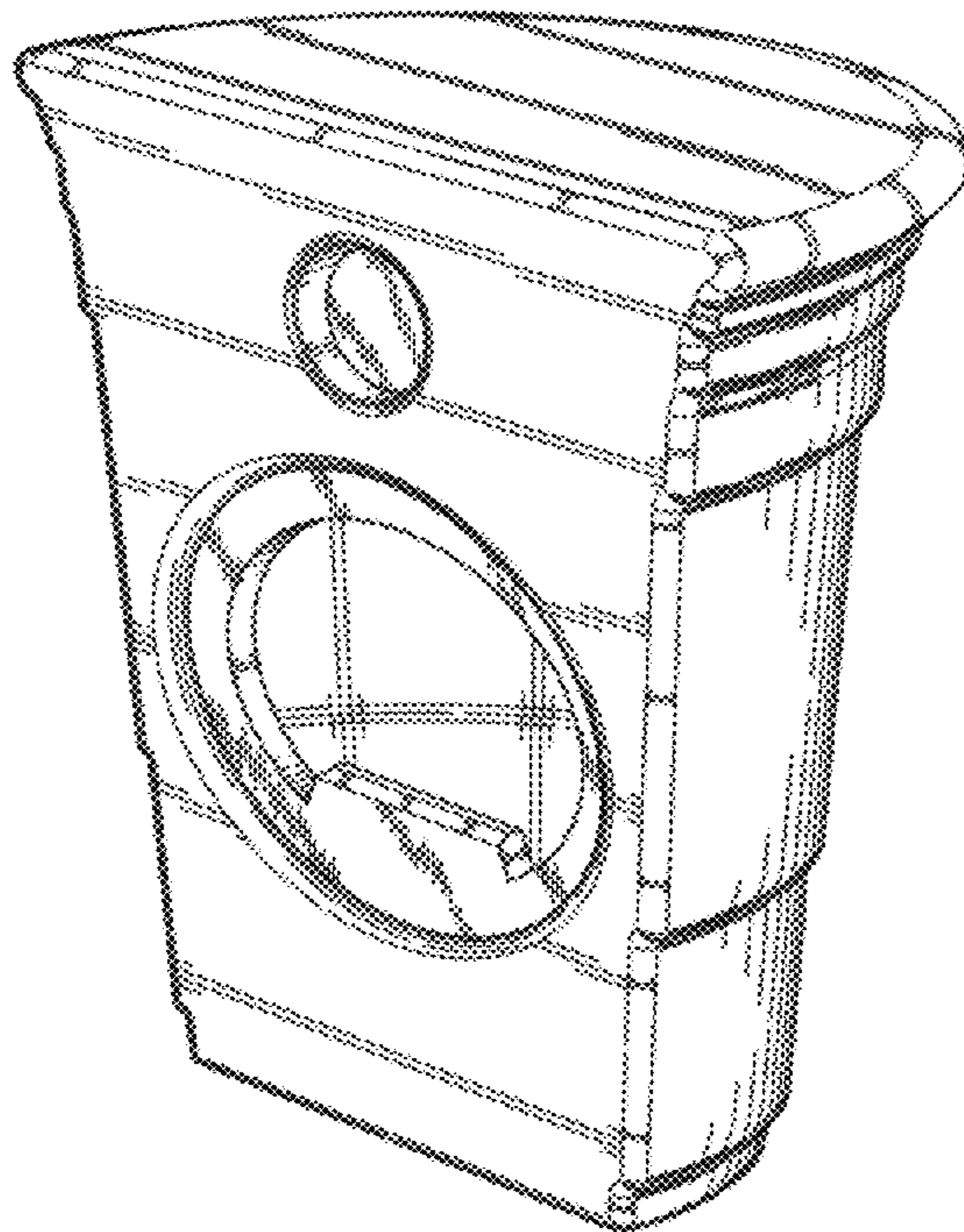
FIG. 4 is a front view of the bottle opener of FIG. 2;

FIG. 5 is a right side view of the bottle opener of FIG. 2;

FIG. 6 is a top view of the bottle opener of FIG. 2; and,

FIG. 7 is a bottom view of the bottle opener of FIG. 2.

**1 Claim, 6 Drawing Sheets**



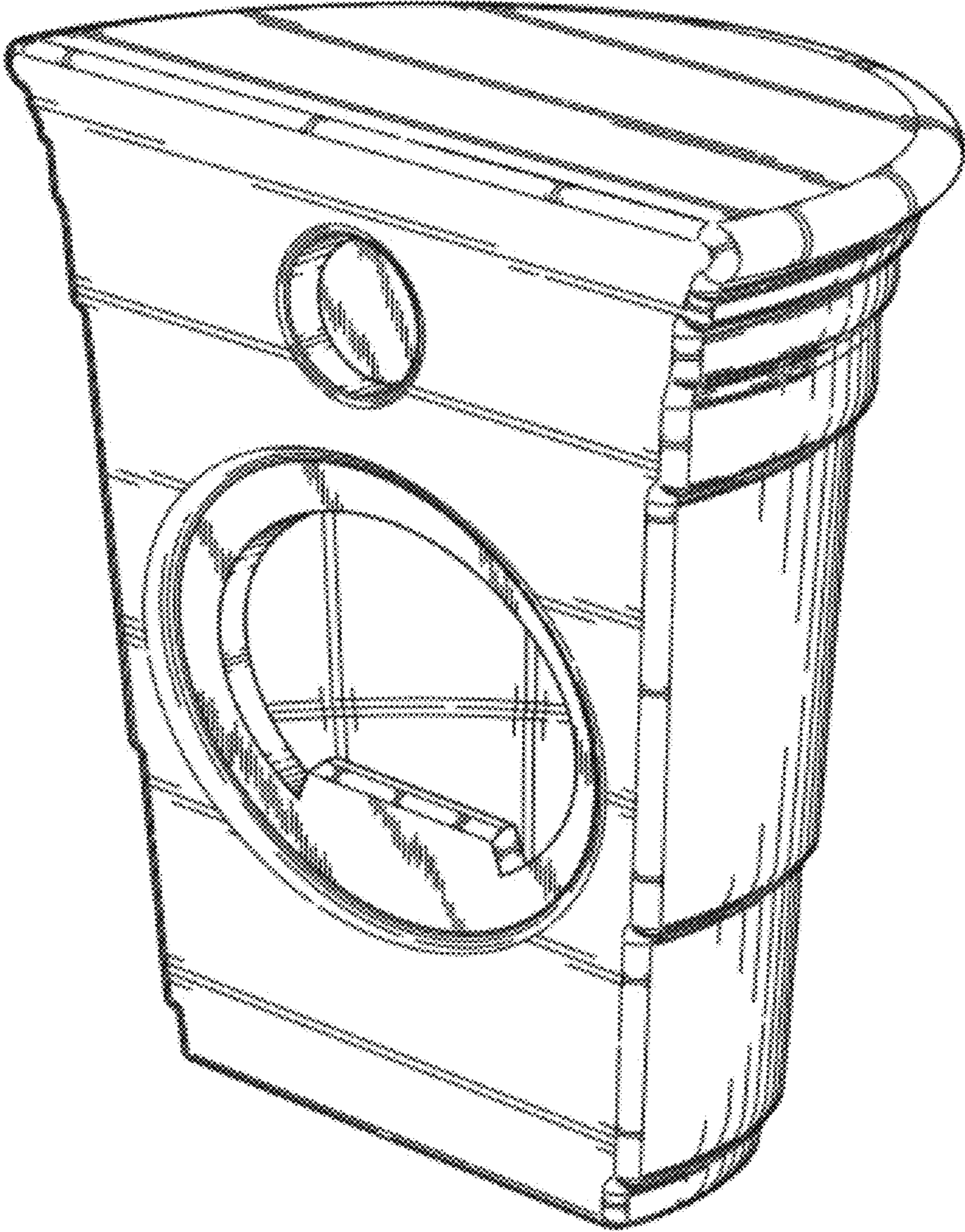


FIG. 1

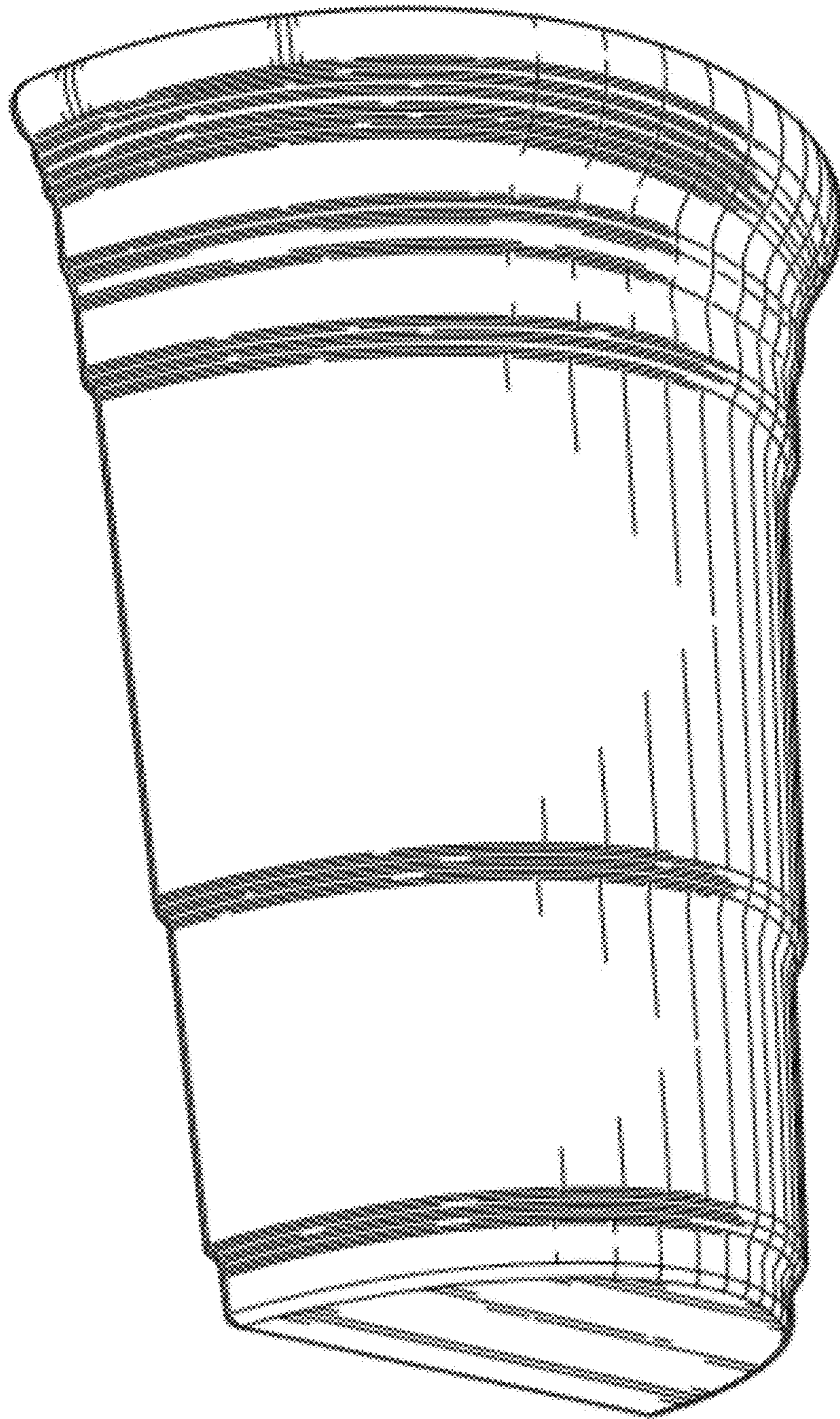


FIG. 2

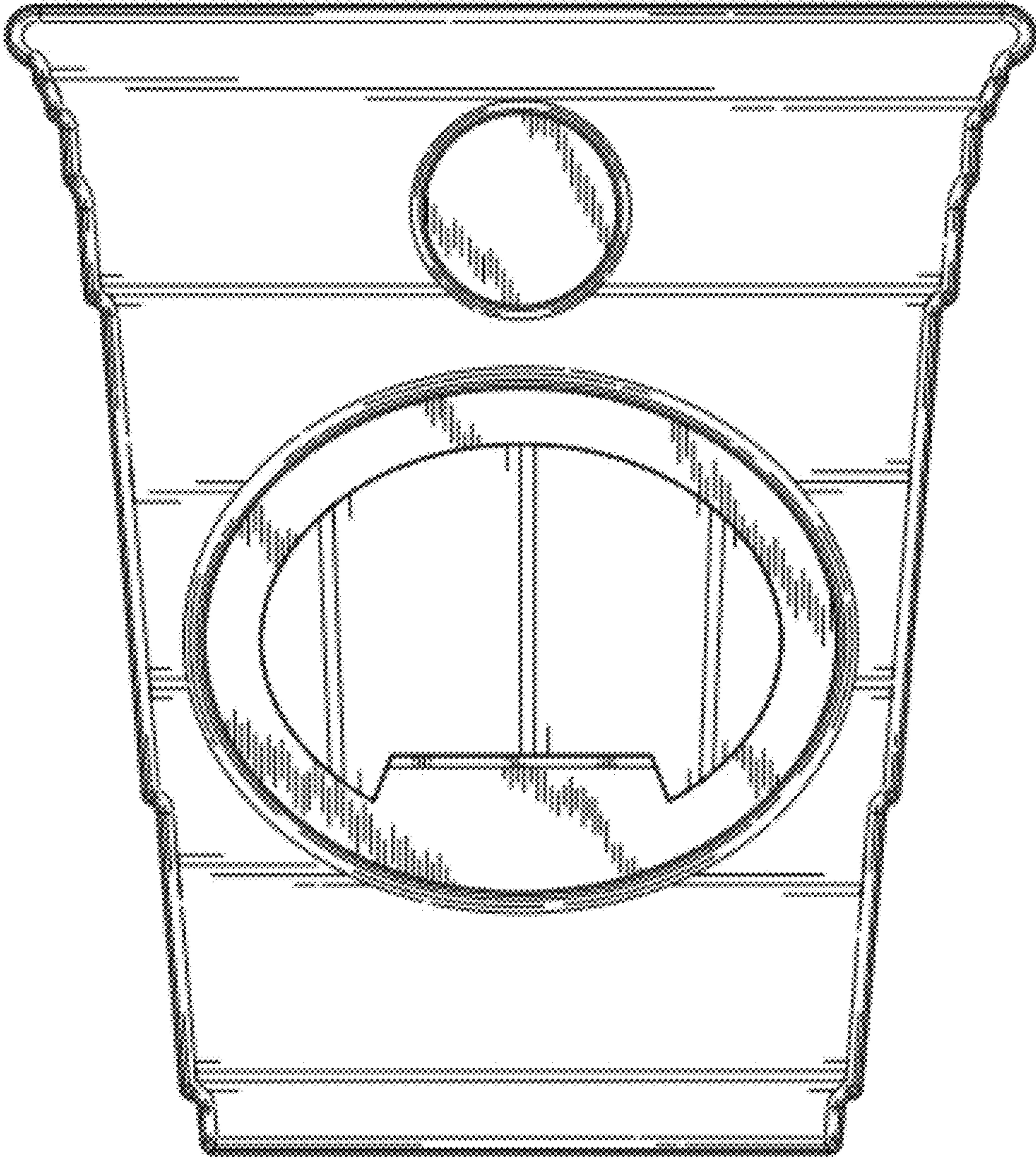


FIG. 3

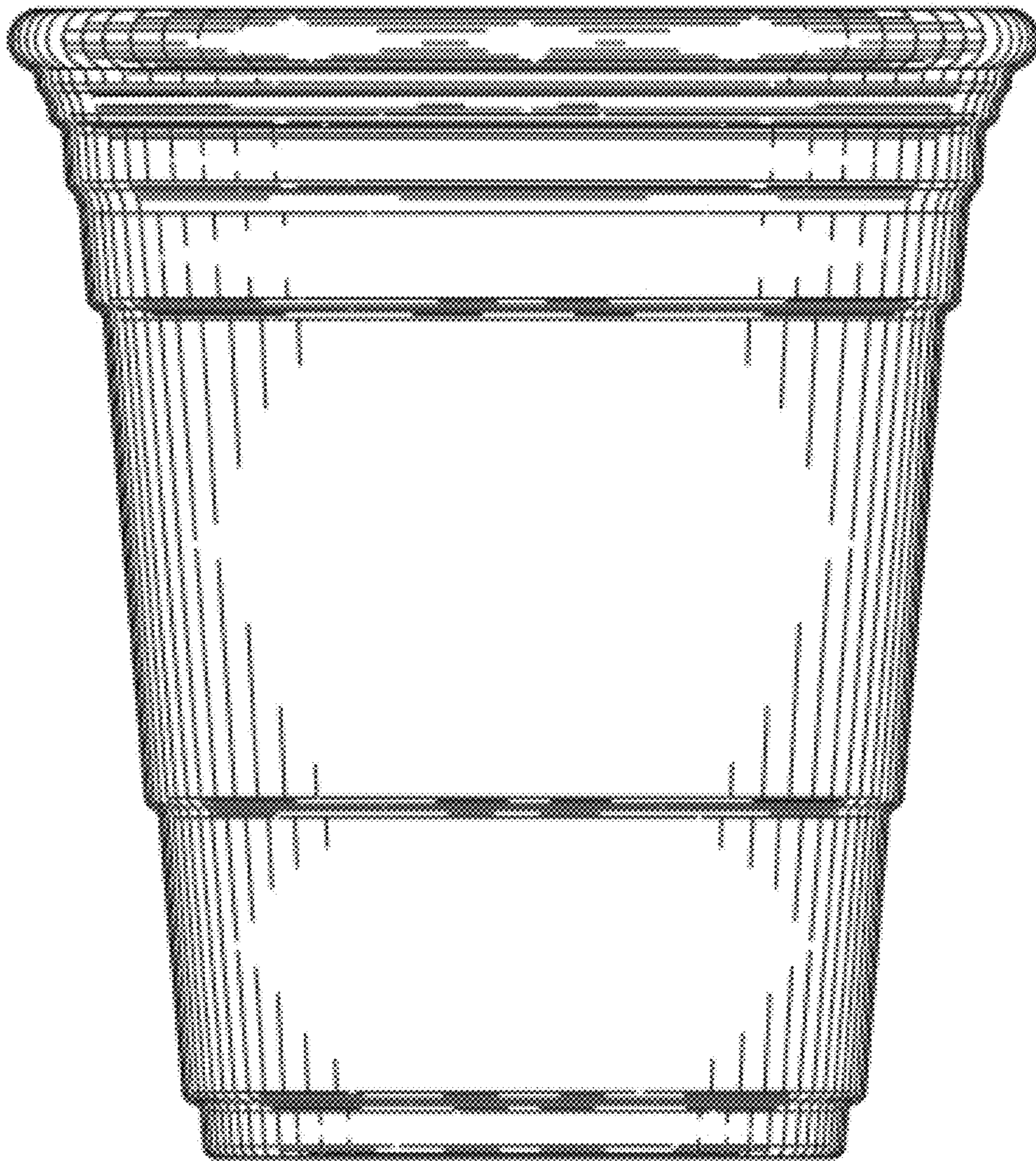


FIG. 4

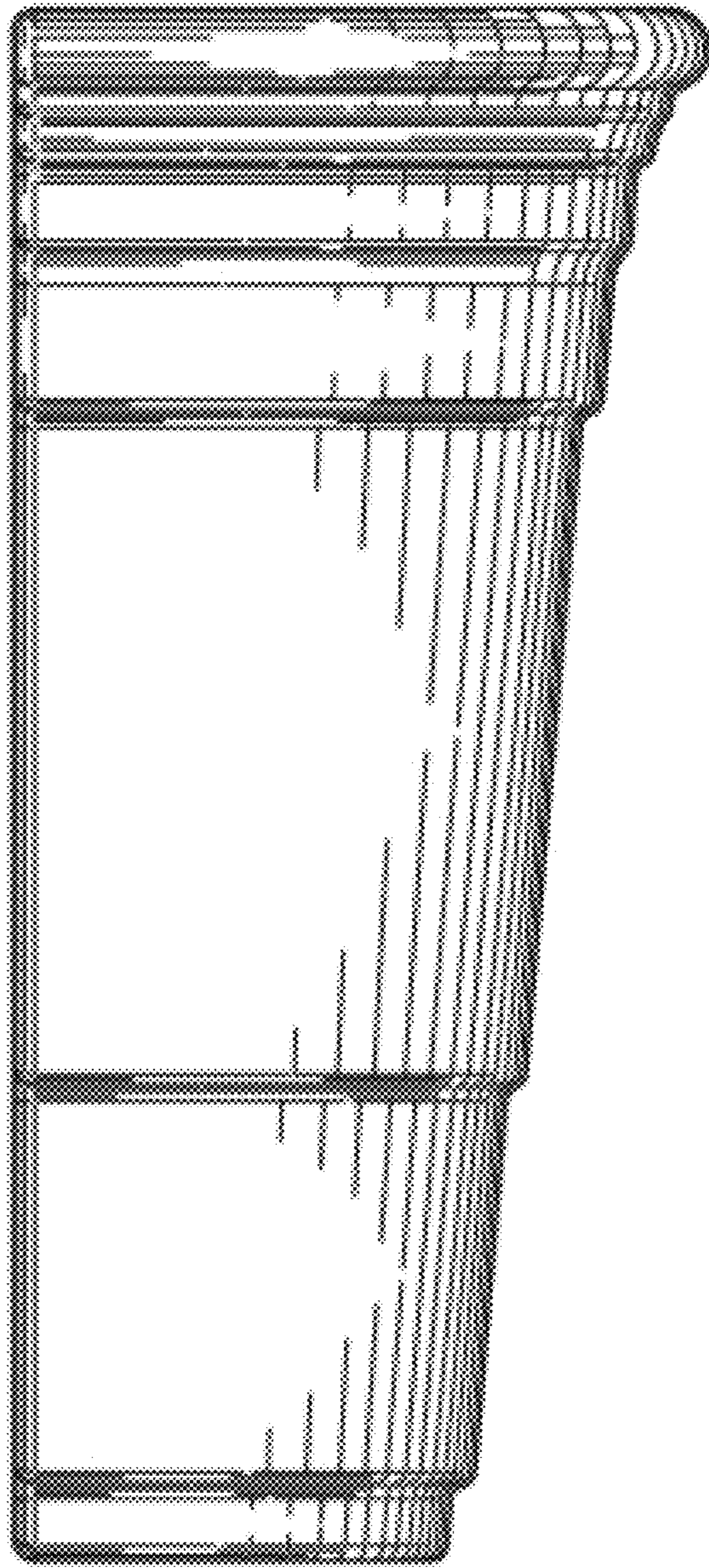


FIG. 5

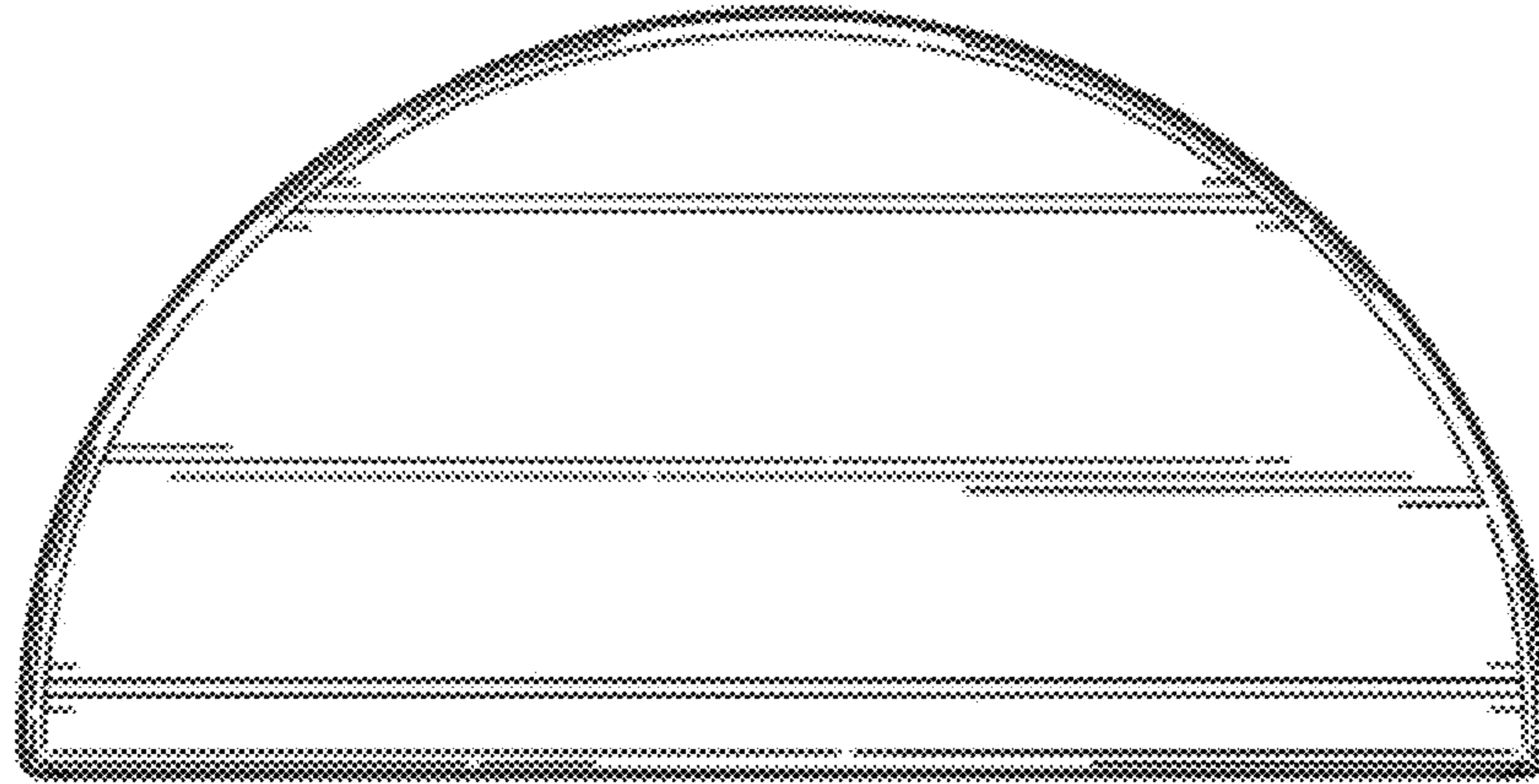


FIG. 6

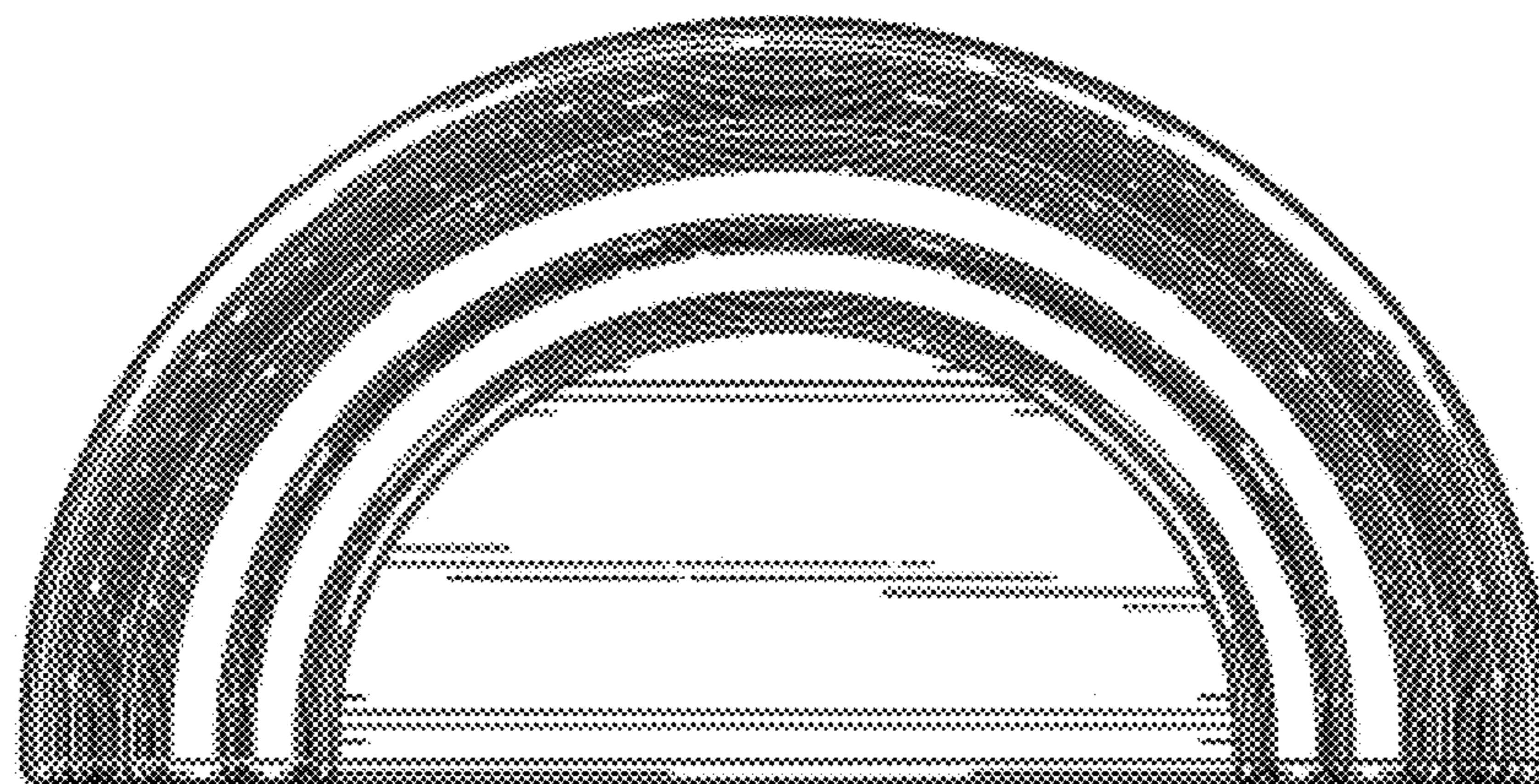


FIG. 7