



US00D657638S

(12) **United States Design Patent**
Einav

(10) **Patent No.:** **US D657,638 S**
(45) **Date of Patent:** **** Apr. 17, 2012**

(54) **DRIPPER FOR IRRIGATION OF PLANTS**

(75) Inventor: **Zvika Einav**, Kibbutz Gvat (IL)

(73) Assignee: **Deere & Company**, Moline, IL (US)

(**) Term: **14 Years**

(21) Appl. No.: **29/361,604**

(22) Filed: **May 13, 2010**

(30) **Foreign Application Priority Data**

Nov. 18, 2009 (EM) 001637620-0001

(51) **LOC (9) Cl.** **08-01**

(52) **U.S. Cl.** **D8/1**

(58) **Field of Classification Search** D8/1; 47/31,
47/33, 29.2, 30, 19.1, 32.4, 32.7, 41.01, 41.1,
47/44-47, 48.5, 79, 24, 86; D23/214
See application file for complete search history.

(56) **References Cited**

U.S. PATENT DOCUMENTS

3,660,933 A * 5/1972 Wong, Jr. 47/62 C
4,887,388 A * 12/1989 Waltel, Jr. 47/79
D358,872 S 5/1995 Fonda et al.
D424,893 S * 5/2000 Goslin et al. D8/1
D425,767 S * 5/2000 Goslin et al. D8/1
6,182,394 B1 * 2/2001 Bassler 47/65.5

6,205,705 B1 * 3/2001 Moodie 47/29.2
D450,550 S 11/2001 Roberts et al.
D455,055 S 4/2002 Roberts et al.
6,453,613 B1 * 9/2002 Gratz 47/84
D502,065 S * 2/2005 Yang D8/1
D566,230 S 4/2008 Causby et al.
D598,809 S * 8/2009 Smith et al. D11/144
7,681,805 B2 * 3/2010 Belford et al. 239/11

* cited by examiner

Primary Examiner — Cynthia M Chin

Assistant Examiner — Sheryl Lane

(57) **CLAIM**

I claim the ornamental design for a dripper for irrigation of plants, as shown and described.

DESCRIPTION

FIG. 1 is an elevated perspective view of the dripper for irrigation of plants.

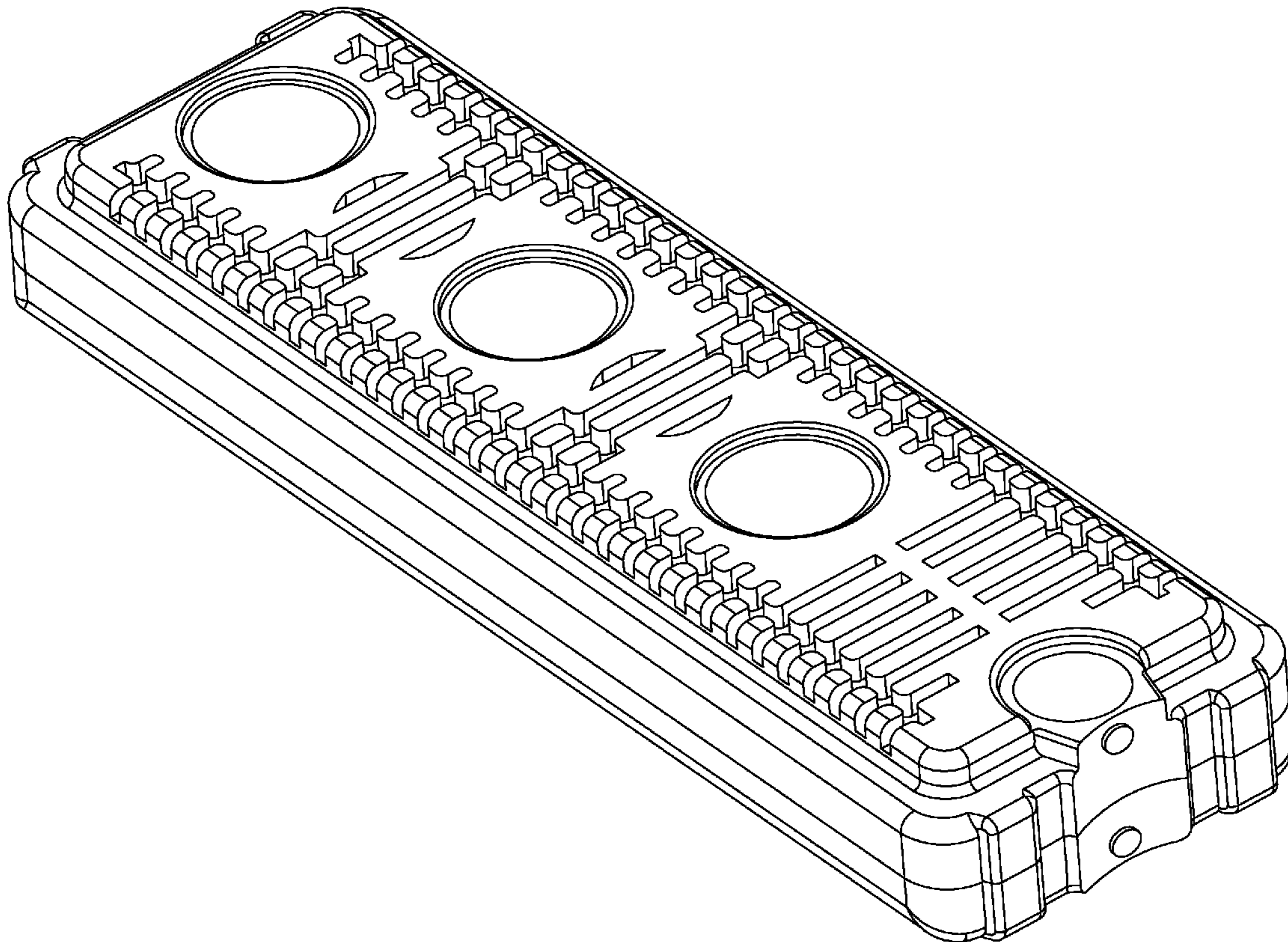
FIG. 2 is a side view of the dripper for irrigation of plants shown in FIG. 1.

FIG. 3 is an end view of the dripper for irrigation of plants shown in FIG. 1; and,

FIG. 4 is a top view of the dripper for irrigation of plants shown in FIG. 1.

The portions of the article shown in broken lines in FIG. 4, form no part of the claimed design.

1 Claim, 4 Drawing Sheets



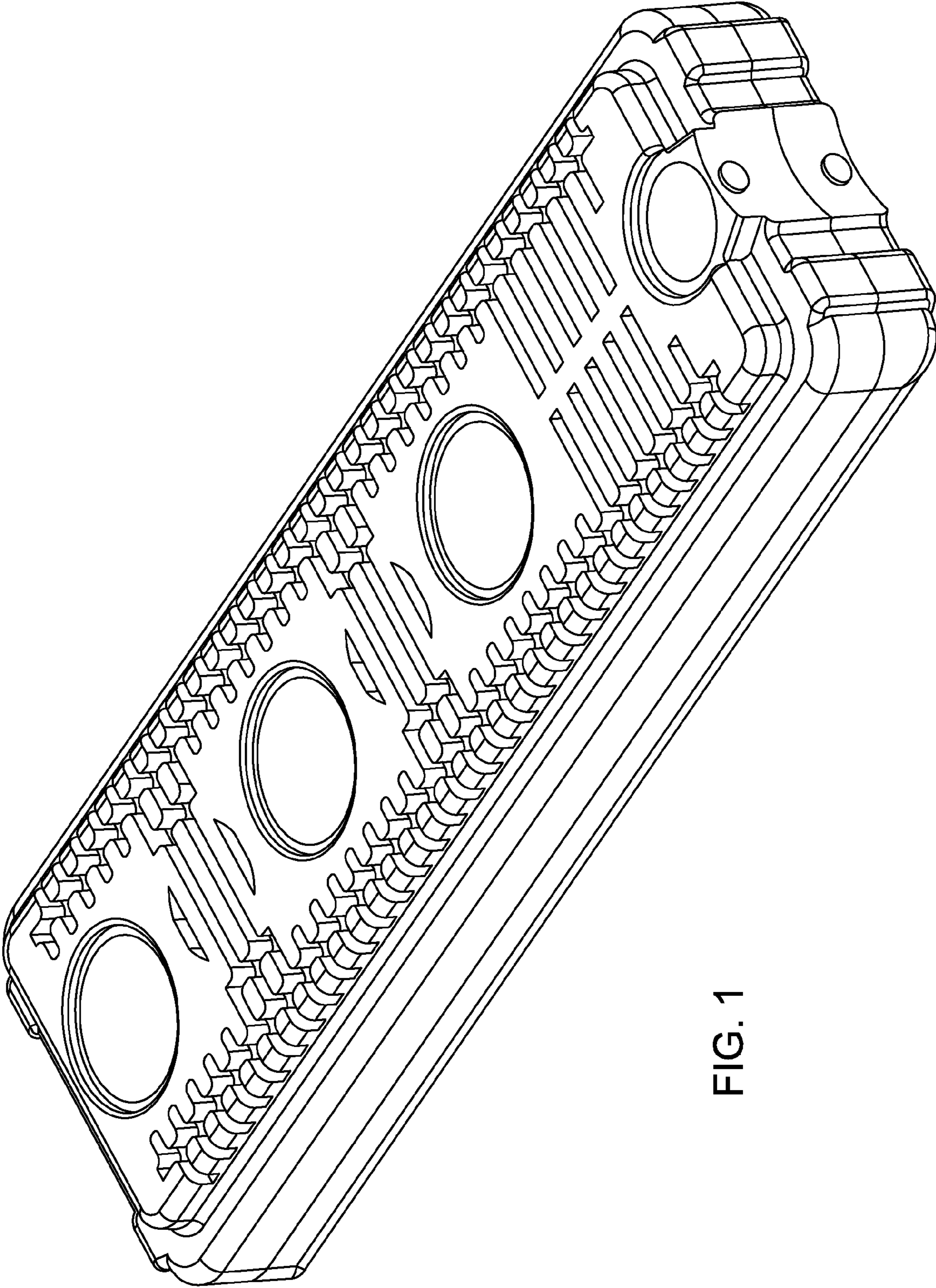


FIG. 1

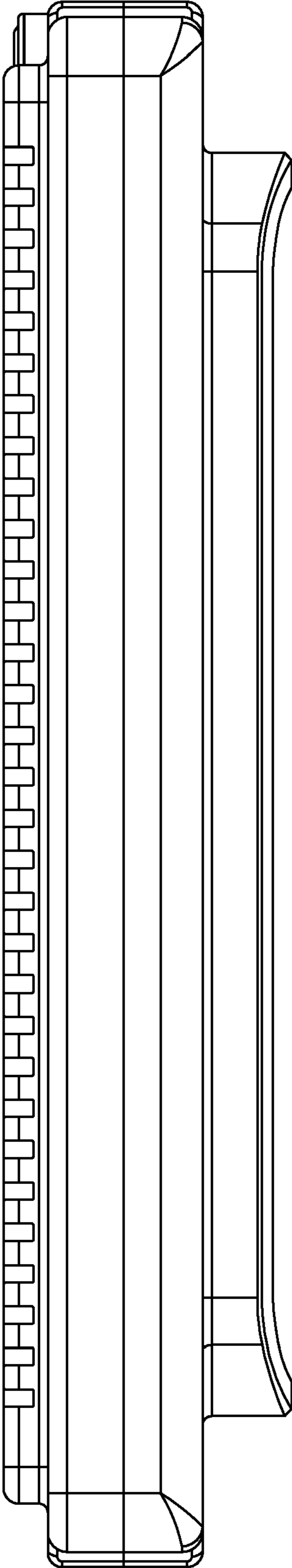


FIG. 2

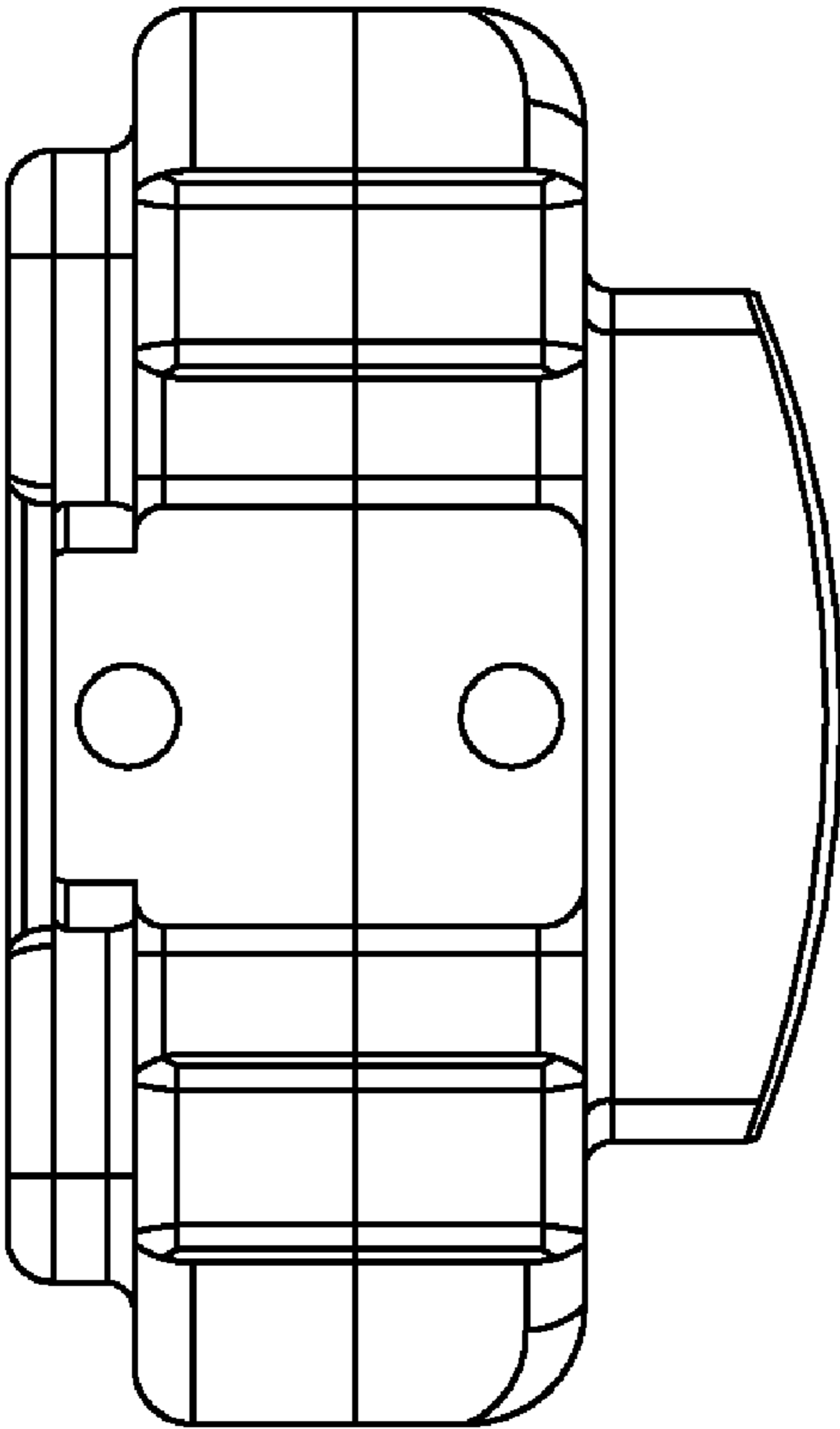


FIG. 3

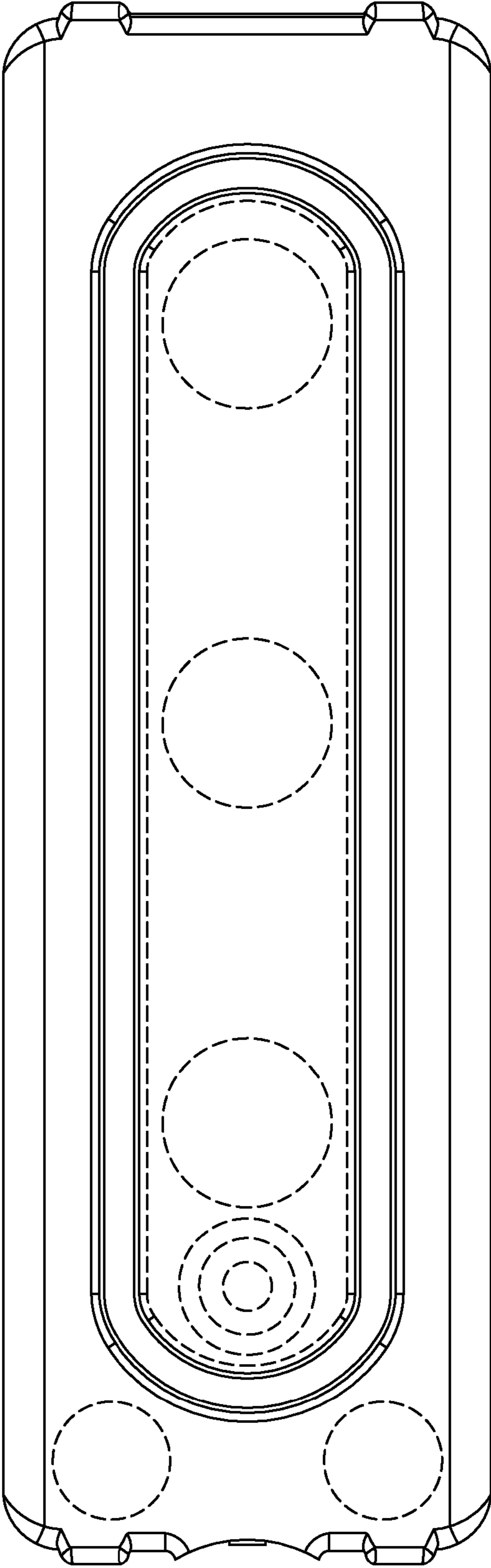


FIG. 4