



US00D657636S

(12) **United States Design Patent**
Carr et al.

(10) **Patent No.:** **US D657,636 S**
(45) **Date of Patent:** **** Apr. 17, 2012**

(54) **CHOPSTICK**

(76) Inventors: **Fred K Carr**, Laguna Hills, CA (US);
Faramarz Khaladj, Laguna Hills, CA (US)

(**) Term: **14 Years**

(21) Appl. No.: **29/402,650**

(22) Filed: **Sep. 26, 2011**

(51) **LOC (9) Cl.** **07-03**

(52) **U.S. Cl.** **D7/642**

(58) **Field of Classification Search** D7/368,
D7/395, 401.2, 642-646, 649-654, 659-669,
D7/675-676, 683, 688-696; D10/46.2, 46.3;
30/113.3, 120.1, 123.7, 137, 141-143, 147-150,
30/279.6, 322-327, 329, 340, 342-344;
73/426-427; 267/156; 294/8.5, 99.2, 106;
416/70 R

See application file for complete search history.

3,637,248	A *	1/1972	Arita	294/99.2
3,884,456	A *	5/1975	Lew	267/156
3,937,510	A *	2/1976	Lew	294/99.2
4,576,408	A *	3/1986	Maneki	294/99.2
4,659,128	A *	4/1987	Dong	294/99.2
4,721,334	A *	1/1988	Nakatsu	294/99.2
4,973,095	A *	11/1990	Kunihisa	294/99.2
D343,096	S *	1/1994	Lachapelle	D7/642
5,486,029	A *	1/1996	Kobayashi	294/99.2
D368,208	S *	3/1996	Lachapelle	D7/642
5,611,586	A *	3/1997	Kang	294/99.2
5,791,053	A *	8/1998	Koong	30/142
5,810,411	A *	9/1998	Major	294/99.2
6,749,239	B2 *	6/2004	Choi	294/99.2
7,234,745	B1 *	6/2007	Tsai	294/99.2
D578,834	S *	10/2008	Do	D7/642
7,513,547	B1 *	4/2009	Liu	294/99.2
2002/0096899	A1 *	7/2002	Kang	294/99.2

* cited by examiner

Primary Examiner — Ricky Pham

(57) **CLAIM**

The ornamental design for chopstick, as shown and described

(56) **References Cited**

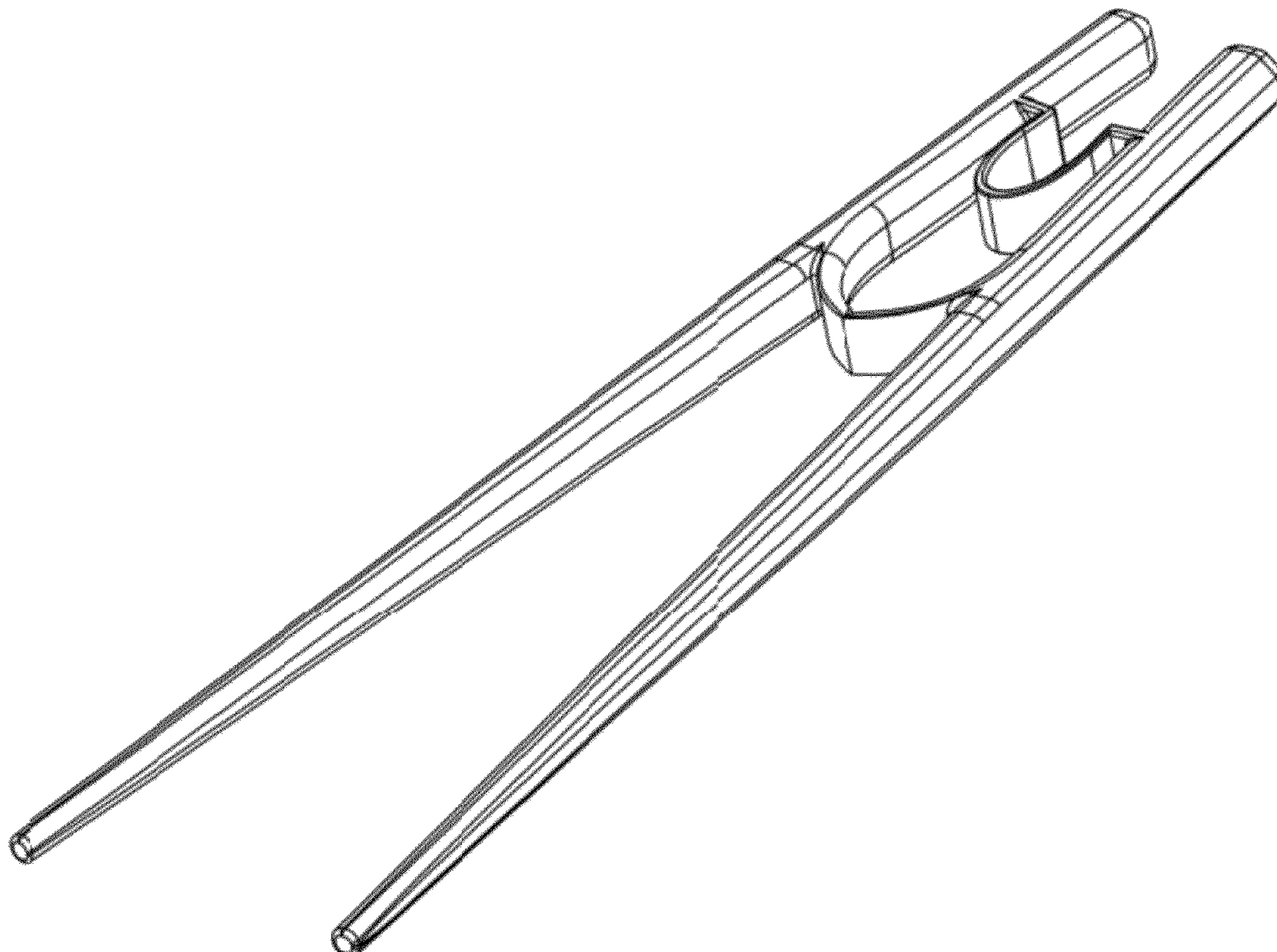
U.S. PATENT DOCUMENTS

426,039	A *	4/1890	Mitchell	294/8.5
448,155	A *	3/1891	Merrill	294/99.2
2,711,339	A *	6/1955	McGogy	294/99.2
2,997,328	A *	8/1961	Lee	294/99.2
3,186,749	A *	6/1965	Dawes	294/99.2
3,239,262	A *	3/1966	Rines et al.	294/99.2
3,414,310	A *	12/1968	Ono	294/106
3,501,191	A *	3/1970	Darr	294/99.2

DESCRIPTION

FIG. 1 is a front view of the chopstick of our new design.
FIG. 2 is an oblique view of the left side thereof.
FIG. 3 is an oblique view of the right side thereof.
FIG. 4 is a right side view thereof.
FIG. 5 is a left side view thereof; and,
FIG. 6 is a top view thereof.

1 Claim, 6 Drawing Sheets



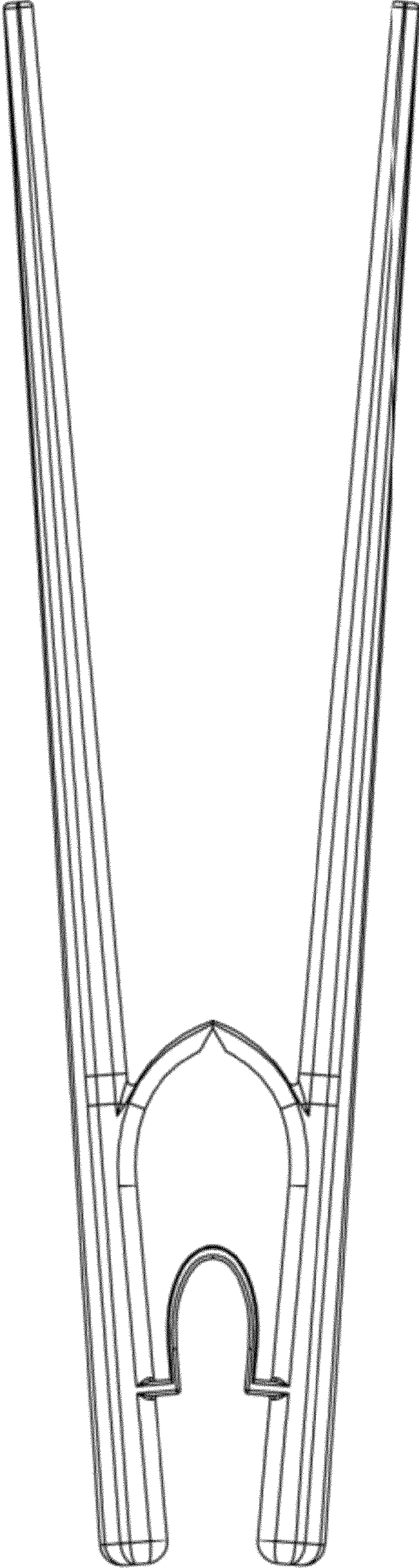


Fig 1

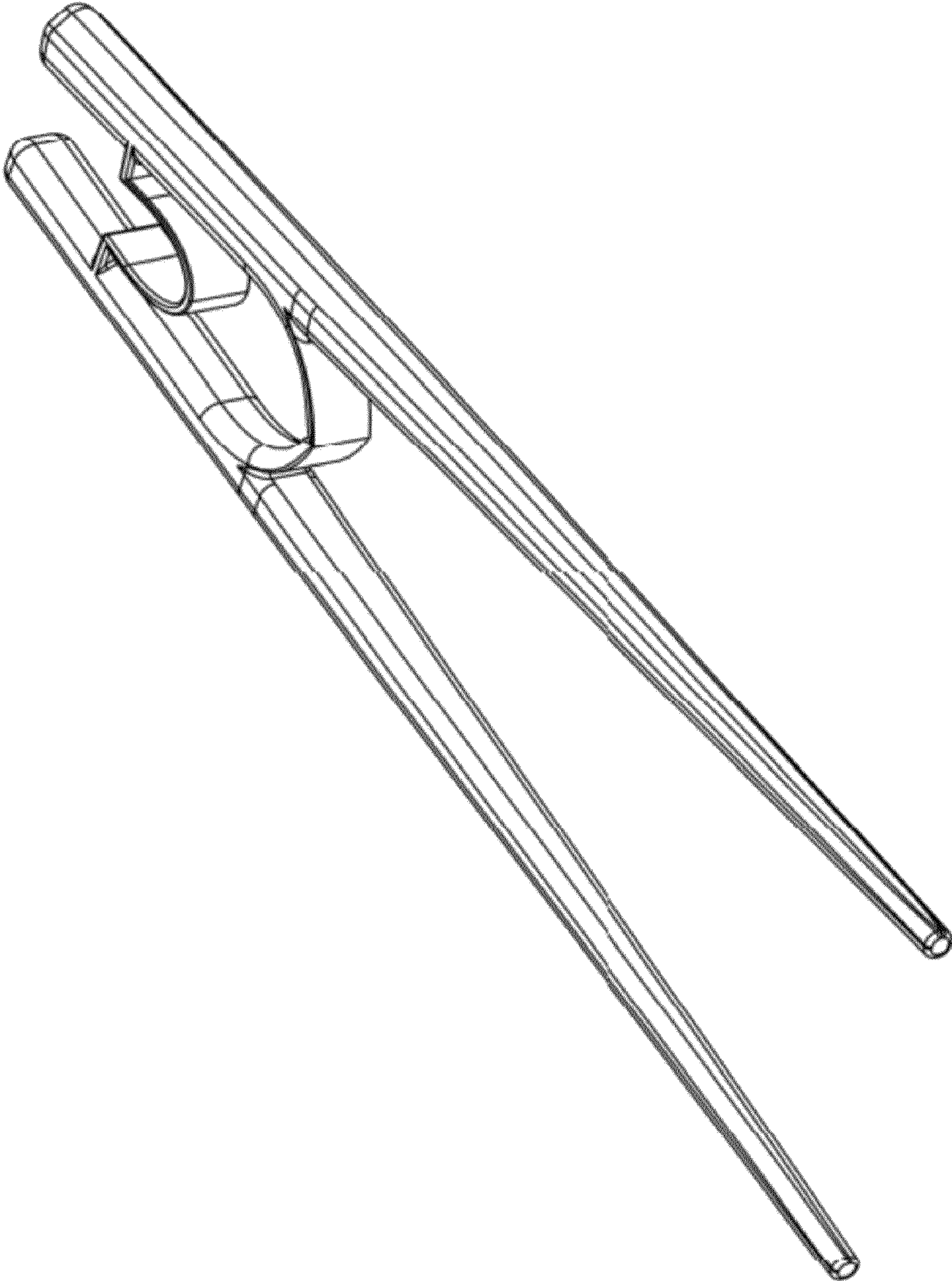


Fig 2

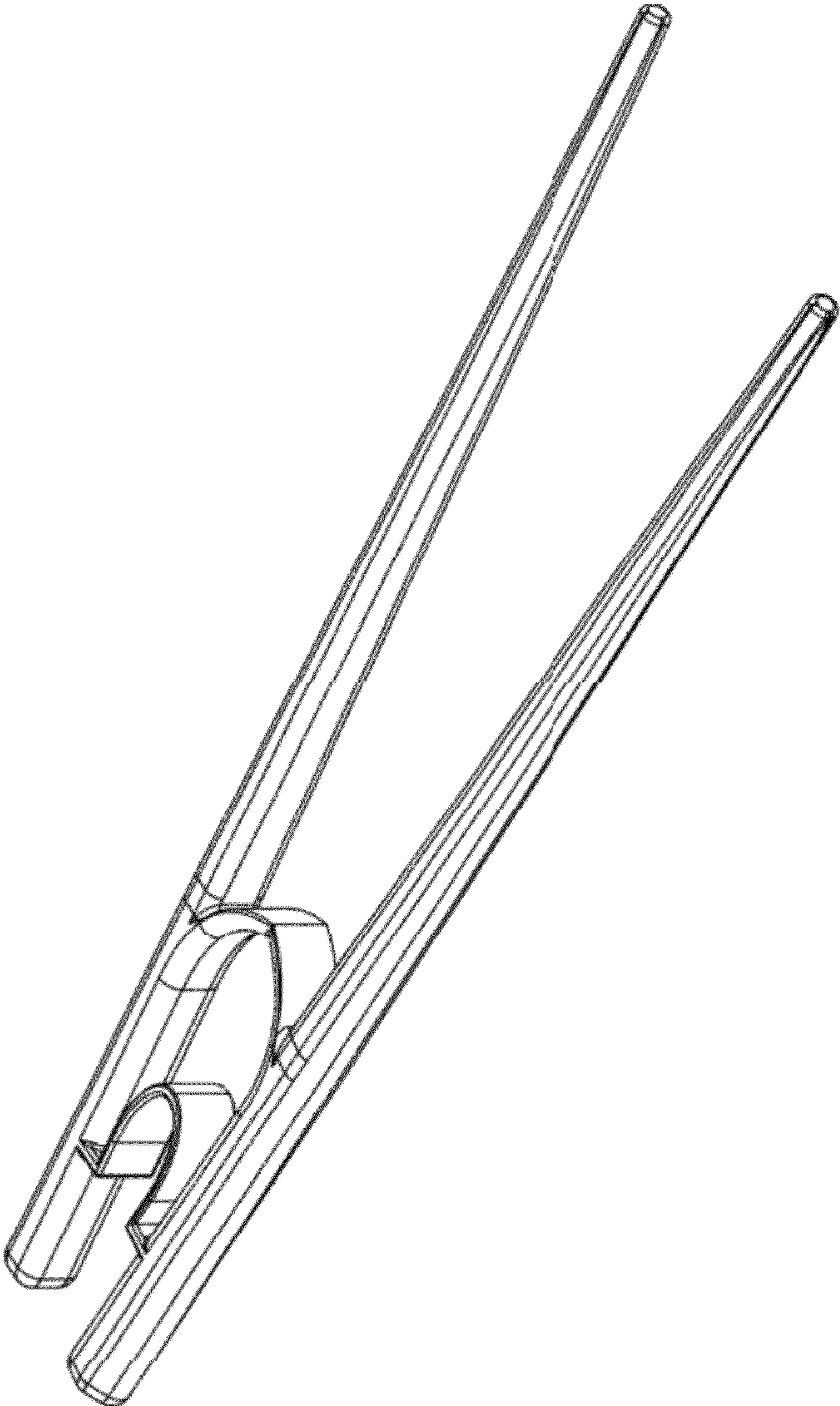


Fig 3

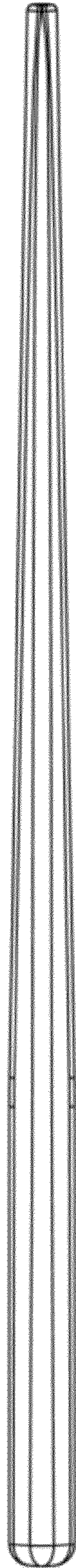


Fig 4

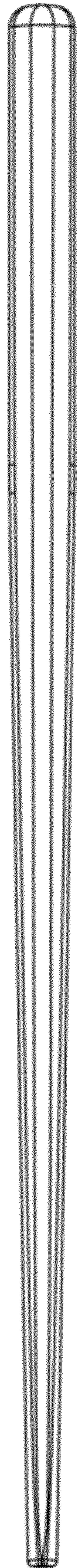


Fig 5

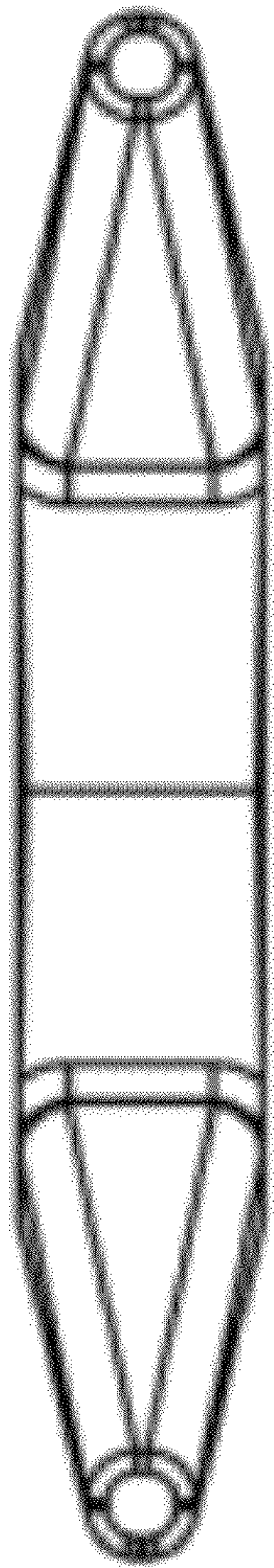


Fig 6