

US00D657635S

(12) **United States Design Patent**
de Bretton Gordon

(10) **Patent No.:** **US D657,635 S**

(45) **Date of Patent:** **** Apr. 17, 2012**

(54) **KNIFE STORAGE BLOCK**

(75) **Inventor:** **Iain Paul de Bretton Gordon,**
Shipston-on-Stour (GB)

(73) **Assignee:** **Robert Welch Designs Ltd,** Chipping
Campden, Gloucestershire (GB)

(**) **Term:** **14 Years**

(21) **Appl. No.:** **29/399,929**

(22) **Filed:** **Aug. 20, 2011**

(30) **Foreign Application Priority Data**

May 13, 2011 (EM) 001276364-0002

(51) **LOC (9) Cl.** **07-99**

(52) **U.S. Cl.** **D7/637**

(58) **Field of Classification Search** D7/637-641,
D7/600.1-600.4; 211/69.1-69.9, 70.6, 70.7,
211/71.01, 41.2, 41.3, 41.7, 60.1; 248/37.3,
248/174

See application file for complete search history.

(56) **References Cited**

U.S. PATENT DOCUMENTS

4,423,552 A * 1/1984 Bourgein et al. 30/298.4
4,509,651 A * 4/1985 Prindle 211/70.6

D280,587 S * 9/1985 Carlson D7/637
4,693,439 A * 9/1987 Hahn 248/37.6
D382,774 S * 8/1997 Cohen et al. D7/637
D517,377 S * 3/2006 Tetreault D7/637
D600,078 S * 9/2009 Wang et al. D7/637
2007/0278165 A1* 12/2007 Ranieri 211/70.7

* cited by examiner

Primary Examiner — Terry Wallace

(74) *Attorney, Agent, or Firm* — MacMillan, Sobanski &
Todd, LLC

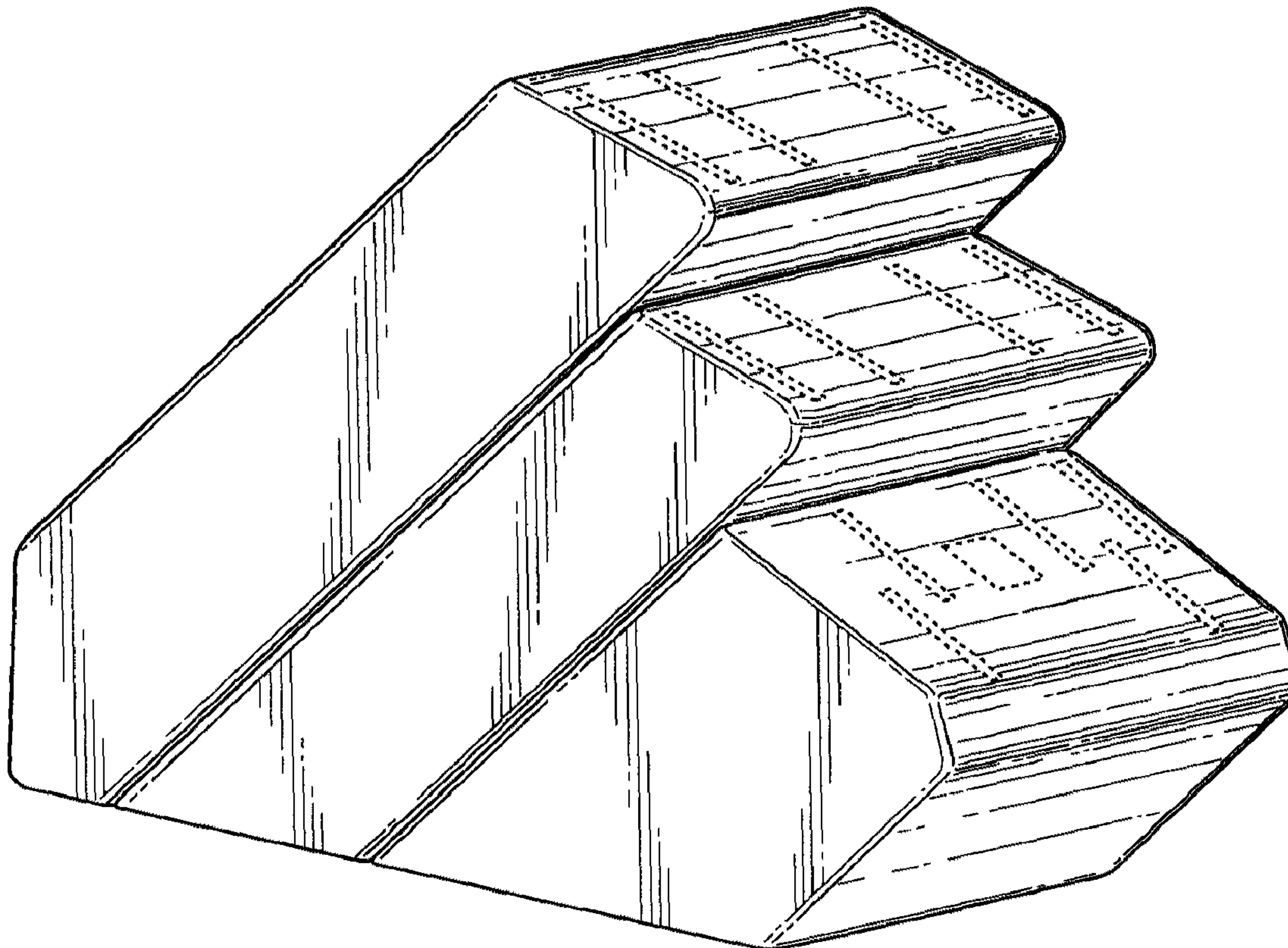
(57) **CLAIM**

The ornamental design for a knife storage block, as shown
and described.

DESCRIPTION

FIG. 1 is a perspective view as seen from the front left of a
knife storage block showing my new design;
FIG. 2 is a front view thereof;
FIG. 3 is a rear view thereof;
FIG. 4 is a top view thereof; and,
FIG. 5 is a left view thereof, the right side being a mirror
image thereof;
The broken lines which illustrate examples of openings for
receiving knives and a knife sharpener do not form a part of
the claimed design.

1 Claim, 5 Drawing Sheets



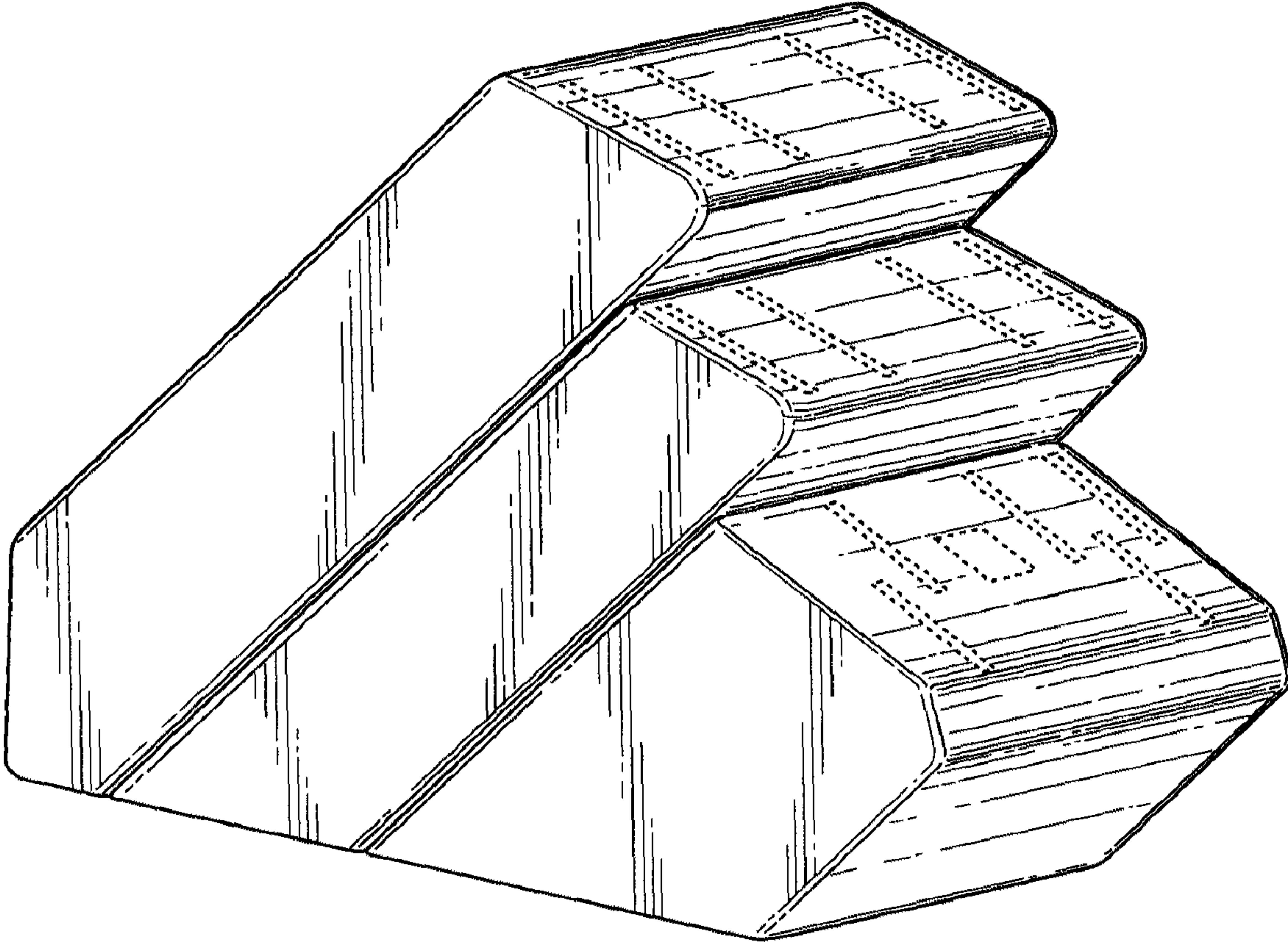


FIG. 1

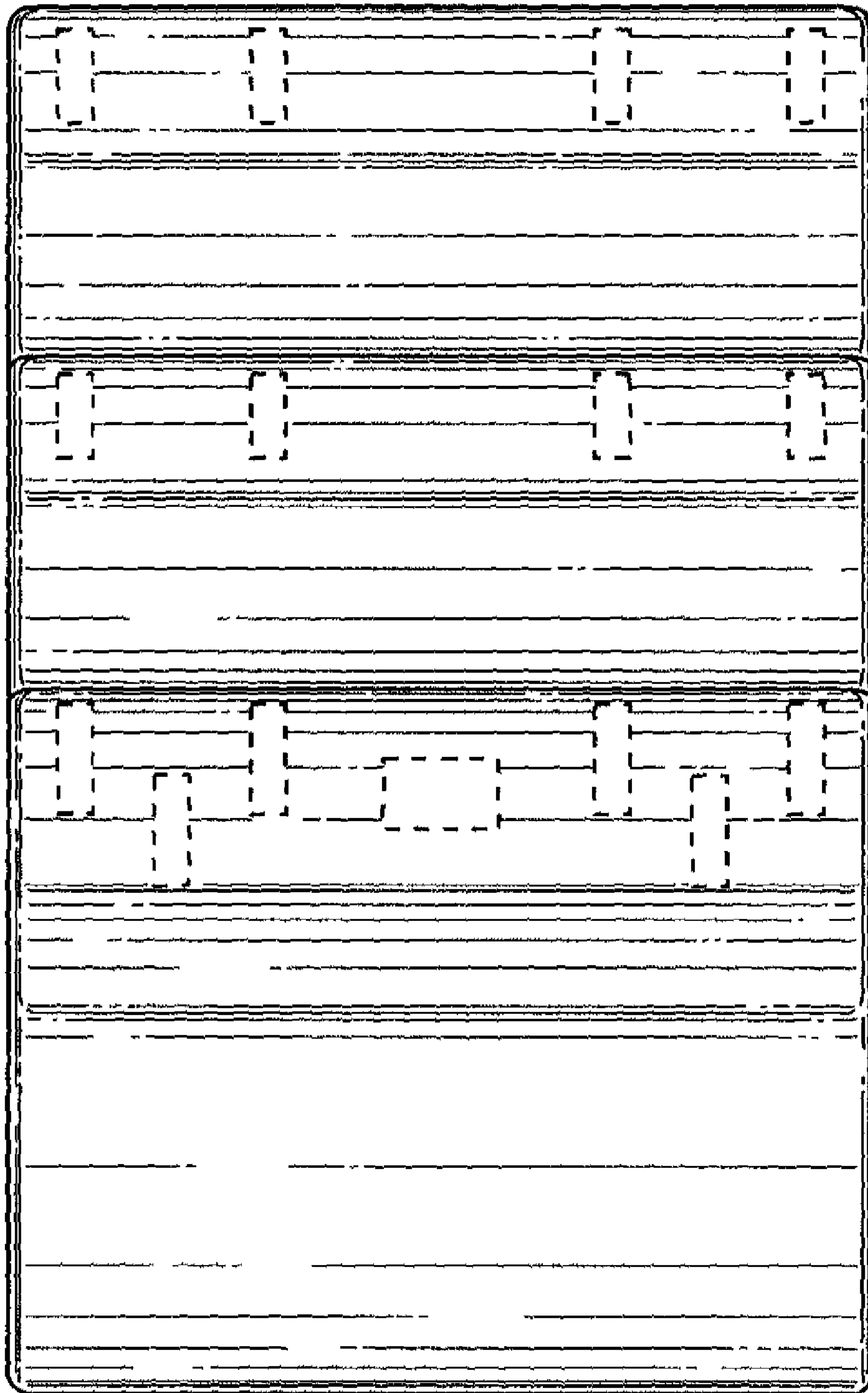


FIG. 2

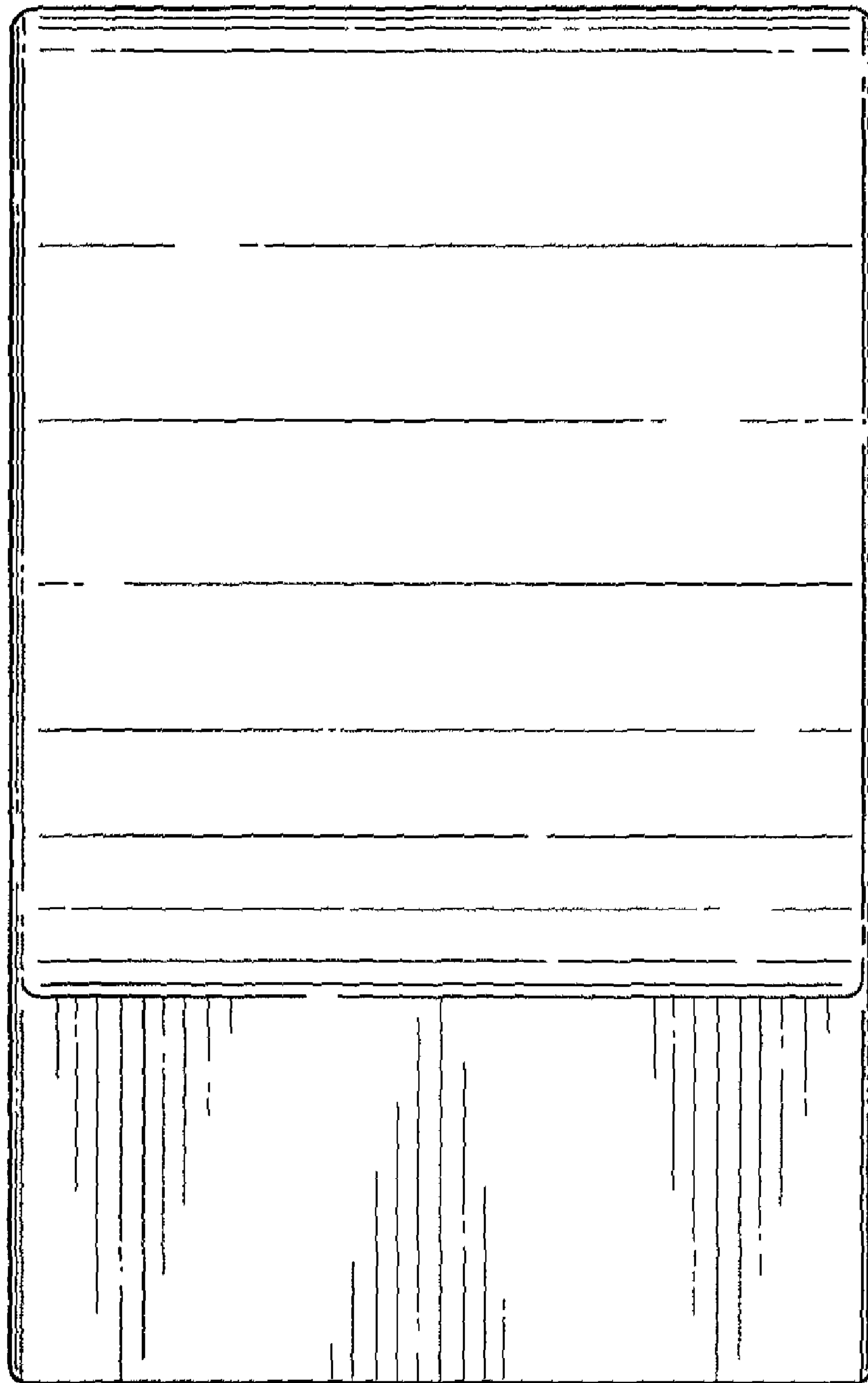


FIG. 3

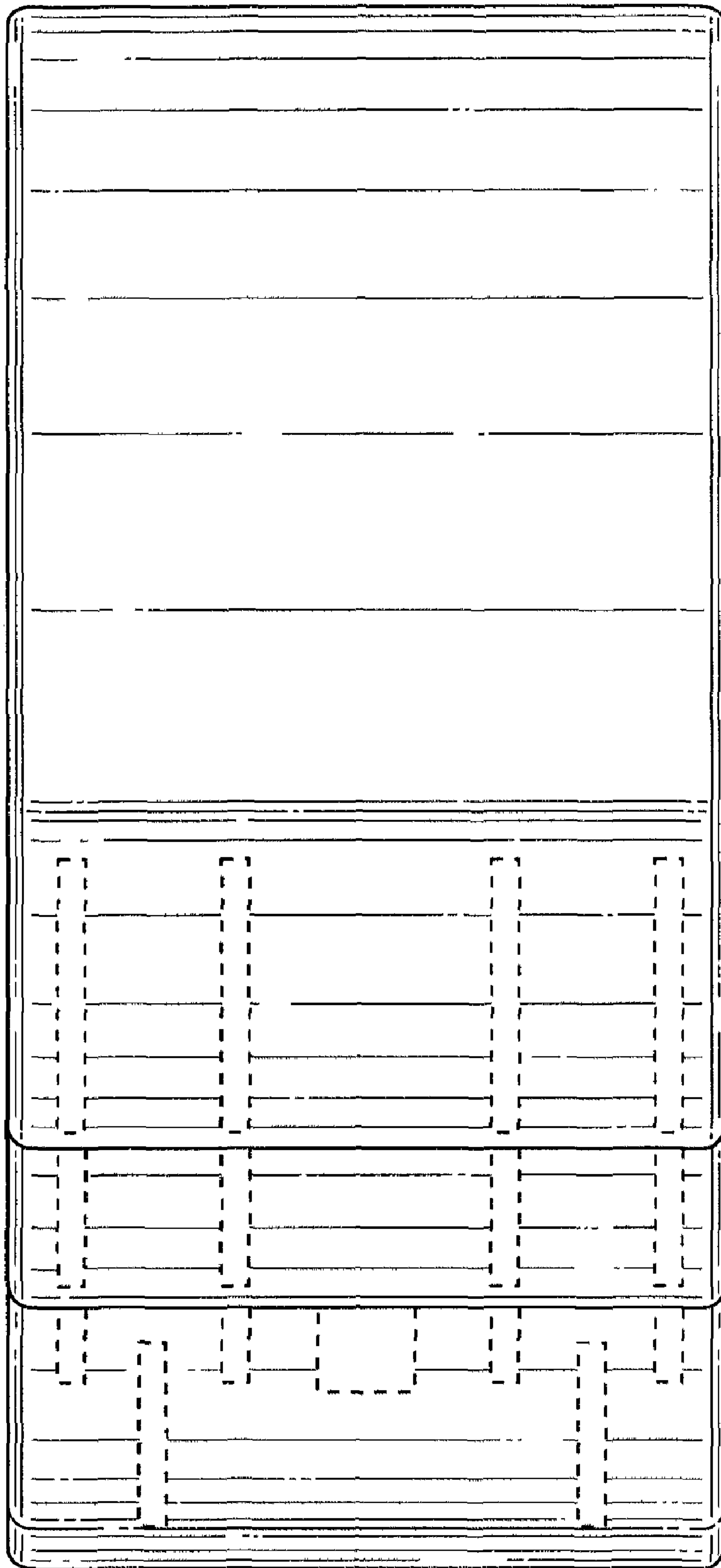


FIG. 4

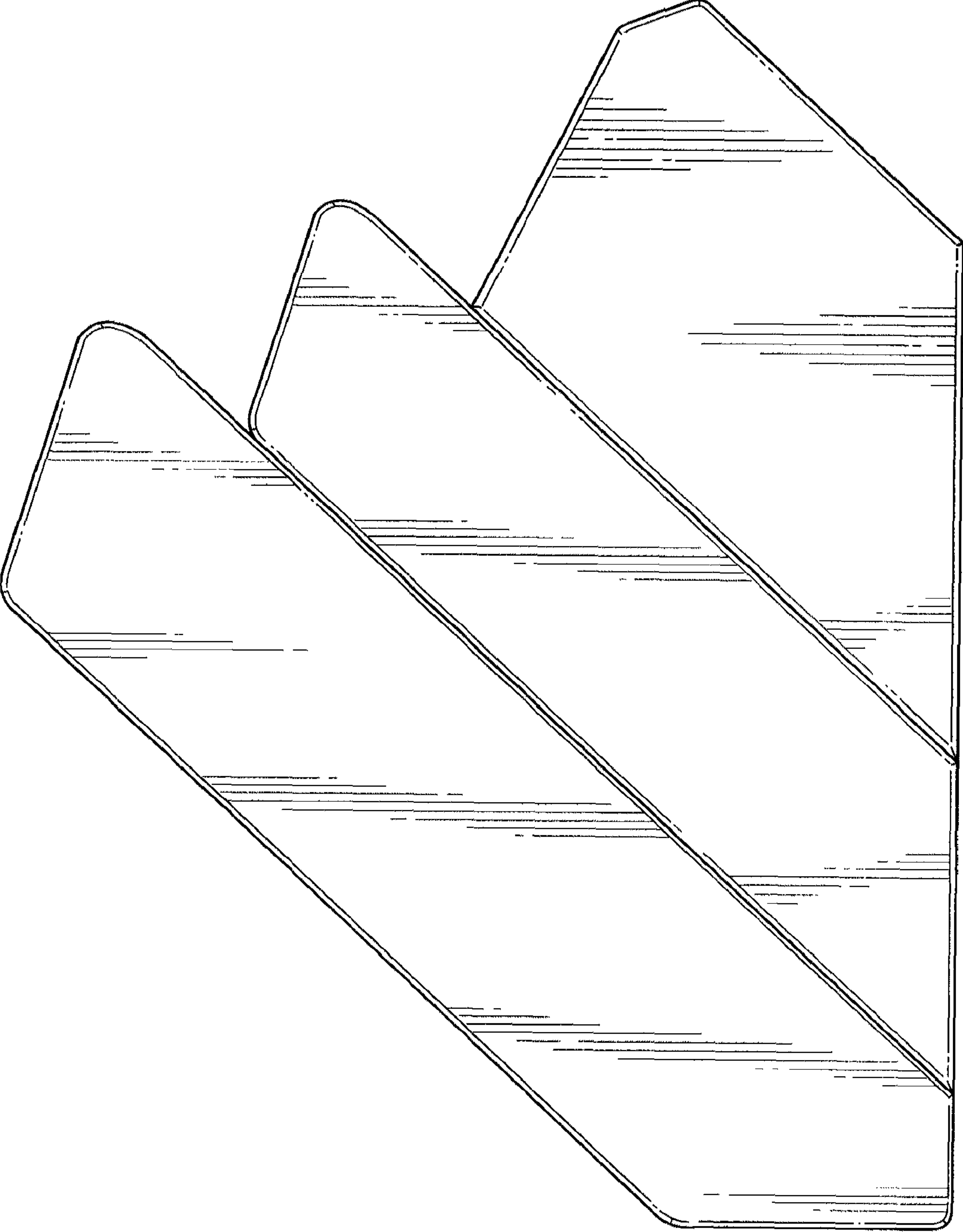


FIG. 5