



US00D657627S

(12) **United States Design Patent**  
**Morga et al.**

(10) **Patent No.:** **US D657,627 S**  
(45) **Date of Patent:** **\*\* Apr. 17, 2012**

(54) **COMBINATION KITCHENWEAR AND CHOPSTICKS**  
(76) Inventors: **Christopher Morga**, Phoenix, AZ (US);  
**Louis Dorman**, Phoenix, AZ (US)  
(\*\*) Term: **14 Years**  
(21) Appl. No.: **29/399,314**  
(22) Filed: **Aug. 11, 2011**  
(51) **LOC (9) Cl.** ..... **07-01**  
(52) **U.S. Cl.** ..... **D7/505**  
(58) **Field of Classification Search** ..... D7/505,  
D7/507, 500, 642; D9/717, 721, 432; 206/763,  
206/574.1, 575, 556, 735; 229/401  
See application file for complete search history.

D373,050 S \* 8/1996 Brewer et al. .... D7/505  
D374,592 S \* 10/1996 Howell ..... D7/566  
D391,039 S \* 2/1998 Mongeon ..... D2/869  
5,938,066 A 8/1999 DeMars  
6,010,025 A \* 1/2000 Bertani et al. .... 220/276  
D429,147 S 8/2000 Baker et al.  
6,412,653 B1 7/2002 Waterhouse  
D533,075 S \* 12/2006 Snedden et al. .... D9/717  
7,503,464 B2 3/2009 McCain  
D598,711 S \* 8/2009 Franco ..... D7/505  
7,588,163 B1 9/2009 Wilson  
2006/0218795 A1 10/2006 Santa Cruz et al.  
2009/0200315 A1 8/2009 Blondeel  
2011/0114107 A1\* 5/2011 Muhl et al. .... 132/200

\* cited by examiner

*Primary Examiner* — Cynthia Underwood  
(74) *Attorney, Agent, or Firm* — QuickPatents, Inc.; Kevin Prince

(56) **References Cited**

U.S. PATENT DOCUMENTS

269,054 A \* 12/1882 Hemsteger ..... 220/574  
1,138,288 A \* 5/1915 Harper ..... 220/575  
1,457,998 A 6/1923 Norwood  
1,575,597 A \* 3/1926 Bothe ..... 220/574  
1,607,863 A \* 11/1926 Betts ..... 220/574  
1,607,864 A 11/1926 Butler  
1,607,865 A \* 11/1926 Butler ..... 206/542  
2,149,698 A \* 3/1939 Humphrey ..... 141/112  
2,771,755 A \* 11/1956 Di Costanzo ..... 220/574  
2,900,151 A \* 8/1959 Sims ..... 248/37.3  
D217,632 S 5/1970 Bouchet  
3,565,245 A 2/1971 Asher  
3,704,779 A 12/1972 Nigg  
4,863,033 A 9/1989 Buj  
5,222,622 A 6/1993 Lakse, Jr.  
D351,085 S 10/1994 Schmidt  
D359,883 S \* 7/1995 Suarez ..... D7/533

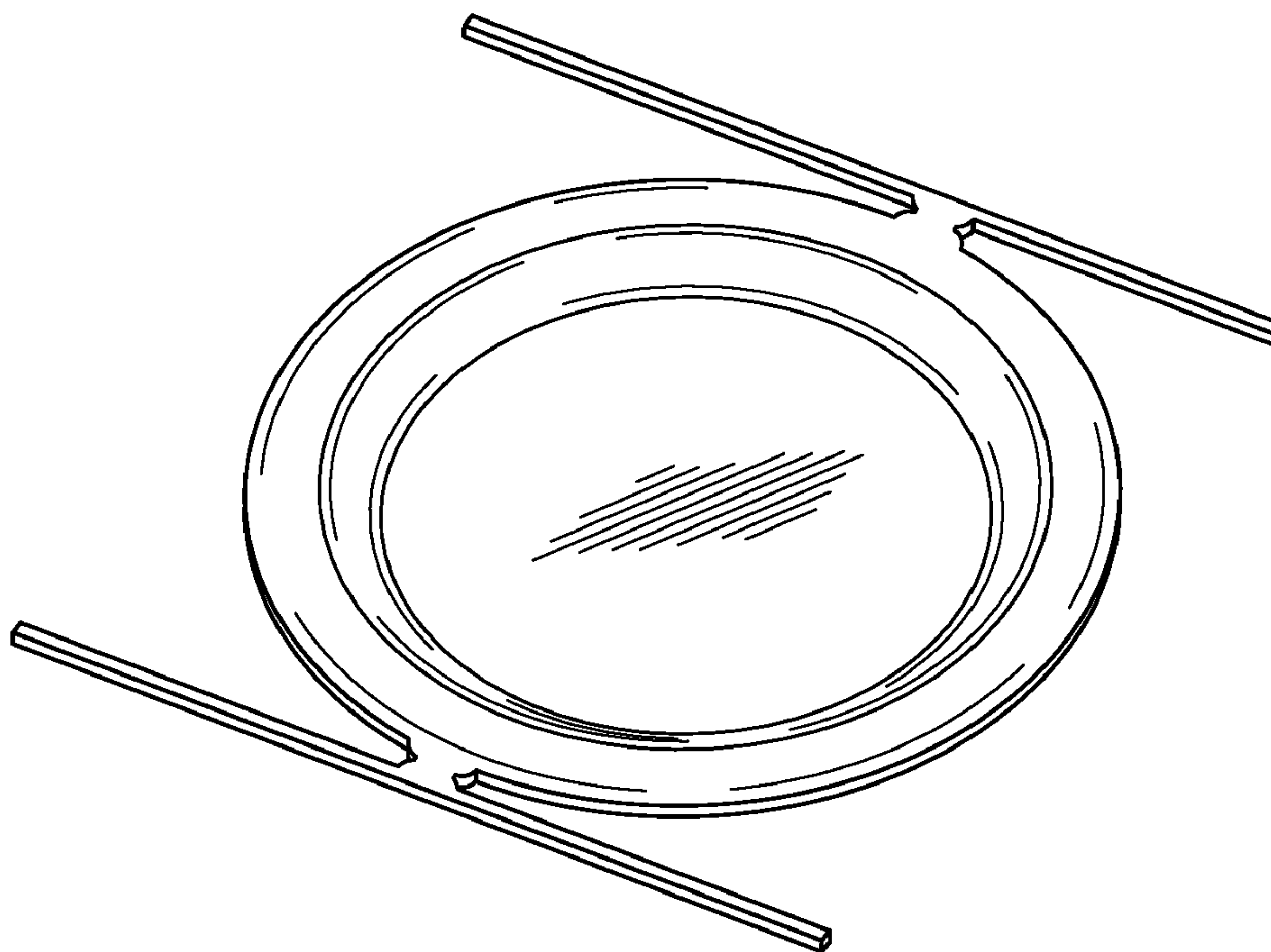
(57) **CLAIM**

We claim the ornamental design for a combination kitchenwear and chopsticks, as shown and described.

**DESCRIPTION**

FIG. 1 is a perspective view of a combination kitchenwear and chopsticks, showing our new design;  
FIG. 2 is a top plan view of FIG. 1;  
FIG. 3 is a bottom plan view of FIG. 1;  
FIG. 4 is a right-side elevational view of FIG. 1, the left-side elevational view being a mirror image thereof; and,  
FIG. 5 is a front elevational view of FIG. 1, the rear elevational view being a mirror image thereof.  
The broken lines represent portions of the structure that forms no part of the claim.

**1 Claim, 1 Drawing Sheet**



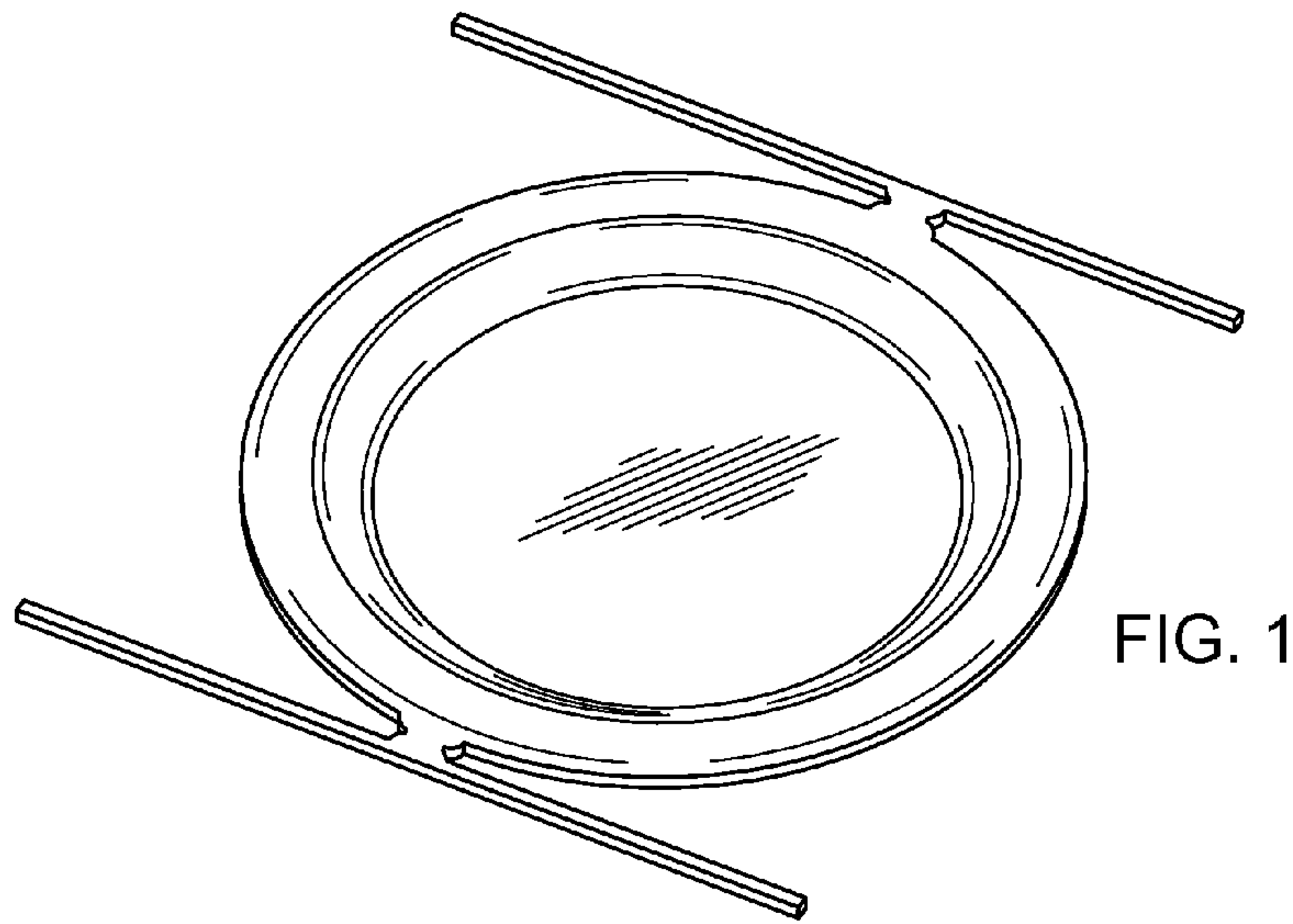


FIG. 1

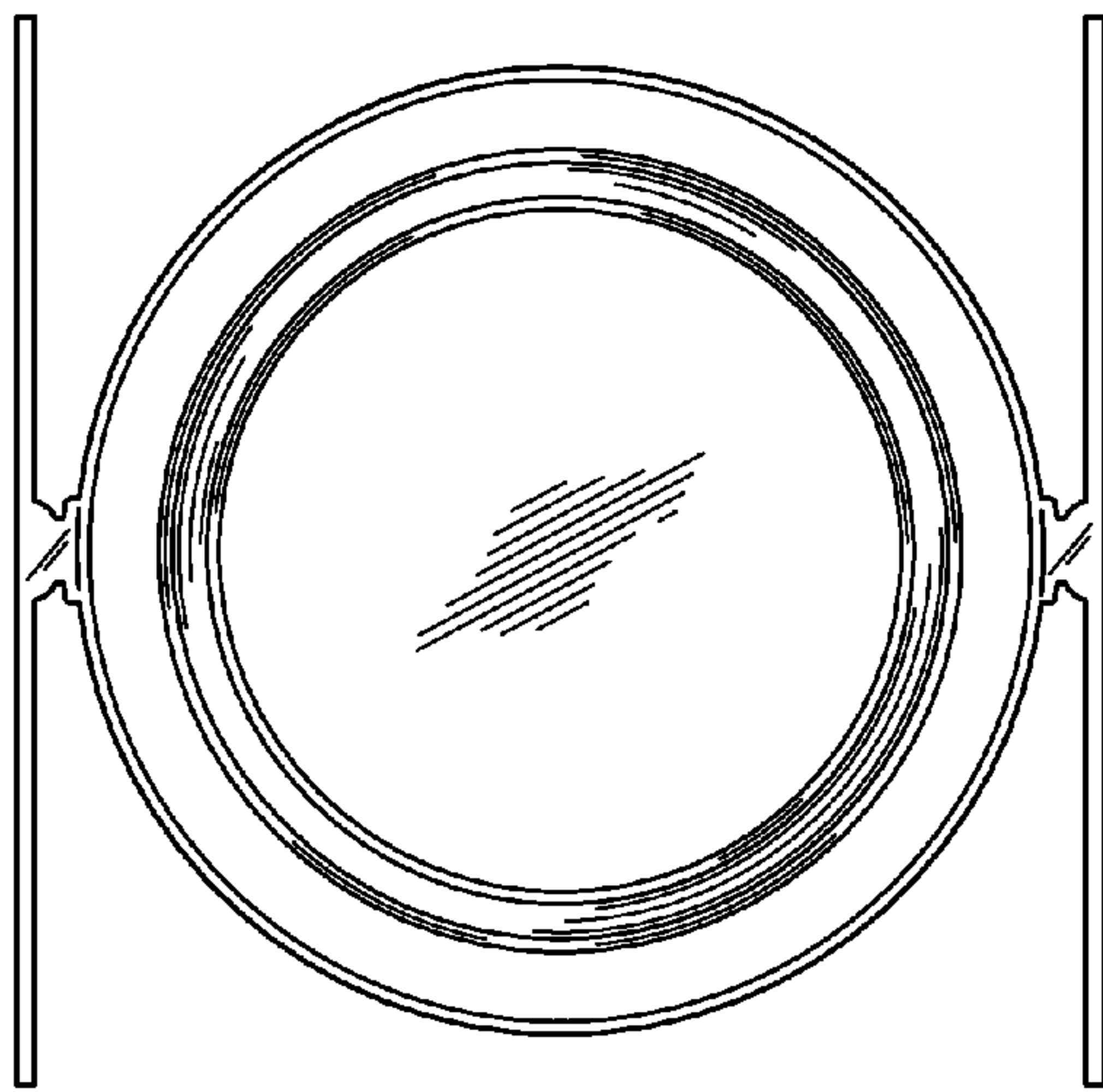


FIG. 2

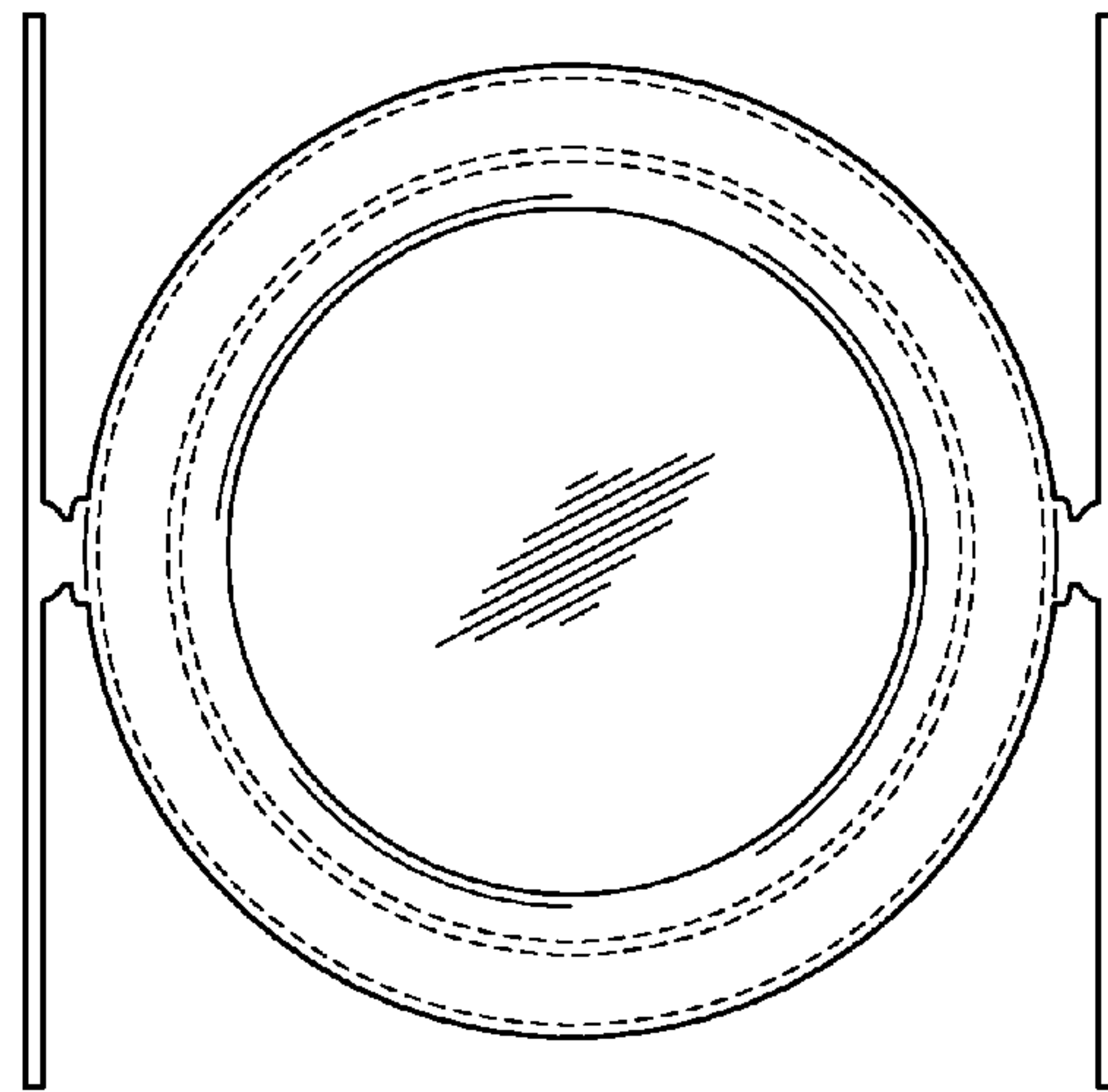


FIG. 3

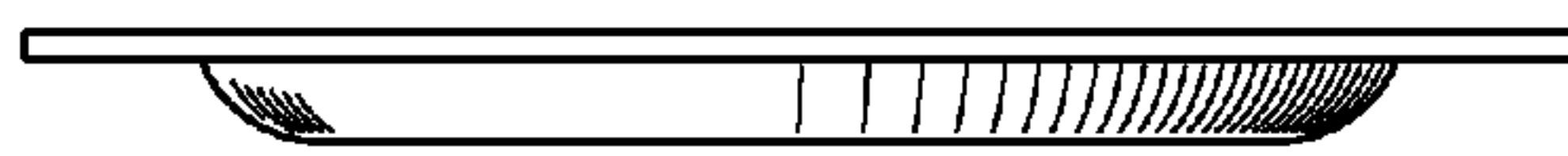


FIG. 4

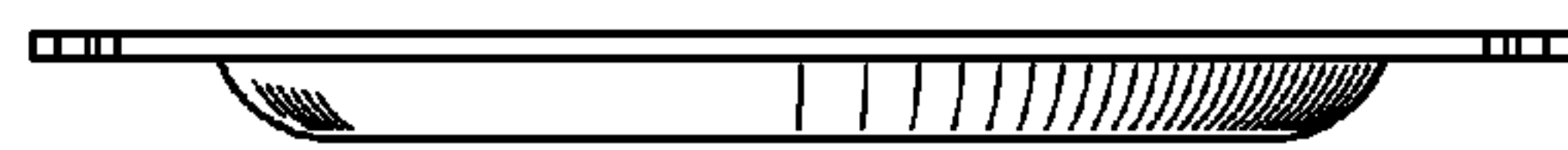


FIG. 5