



US00D657624S

(12) **United States Design Patent**  
**Kastl**

(10) **Patent No.:** **US D657,624 S**

(45) **Date of Patent:** **\*\* Apr. 17, 2012**

(54) **GLASSHOLDER WITH GOBLET**

(76) Inventor: **David Kastl**, Effingham, IL (US)

(\*\*) Term: **14 Years**

(21) Appl. No.: **29/316,335**

(22) Filed: **Sep. 15, 2009**

(51) **LOC (9) Cl.** ..... **07-01**

(52) **U.S. Cl.** ..... **D7/505; D7/537**

(58) **Field of Classification Search** ..... D7/505,  
D7/537, 501, 500, 507, 619, 524, 338, 399;  
206/216, 217; 220/574.1, 735; D27/109;  
219/432, 433; 362/101, 154; 141/341, 342,  
141/363; D11/143

See application file for complete search history.

(56) **References Cited**

**U.S. PATENT DOCUMENTS**

2,780,081	A *	2/1957	Alexander	.....	141/341
4,099,598	A *	7/1978	Clinard	.....	184/106
D259,088	S *	5/1981	Signorile	.....	D7/507
D271,833	S *	12/1983	Okada	.....	D11/143
D283,287	S *	4/1986	Bosteels	.....	D7/507

D304,269	S *	10/1989	Sandgren	.....	D6/432
D304,658	S *	11/1989	Mattei	.....	D7/505
5,419,455	A *	5/1995	Rousseau	.....	220/575
5,996,825	A *	12/1999	Gordon et al.	.....	215/10
6,092,905	A *	7/2000	Koehn	.....	362/101
D635,031	S *	3/2011	Themann	.....	D9/544

\* cited by examiner

*Primary Examiner* — Cynthia Underwood

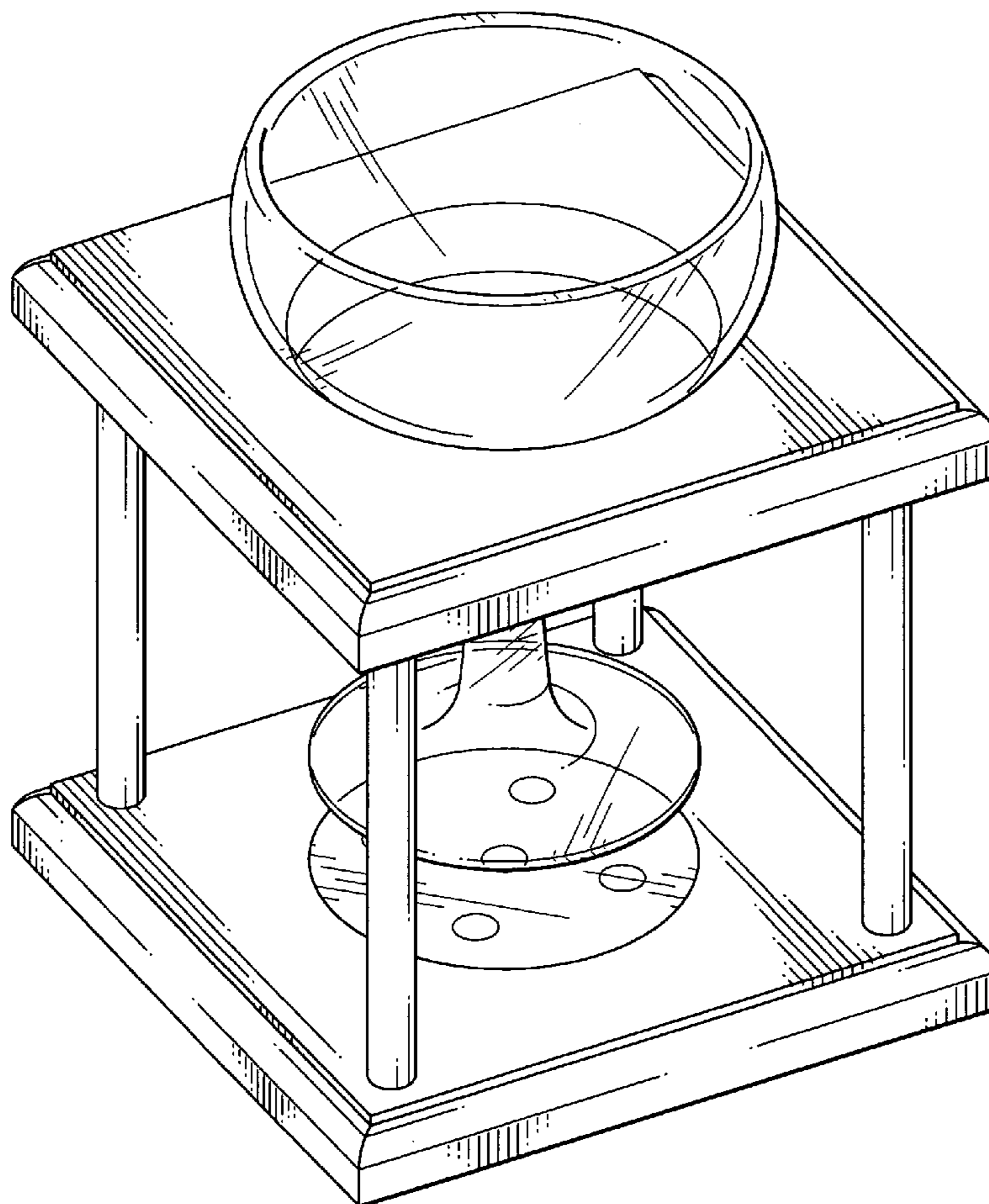
(57) **CLAIM**

I claim the ornamental design for the glassholder with goblet, as shown and described.

**DESCRIPTION**

FIG. 1 is a top perspective view of the glassholder with goblet. FIG. 2 is a front view of the glassholder with goblet. FIG. 3 is a top plan view of the glassholder with goblet. FIG. 4 is a bottom plan view of the glassholder with goblet; and, FIG. 5 is a cross-sectional view of the glassholder with goblet taken along line 5-5 of FIG. 3.

**1 Claim, 5 Drawing Sheets**



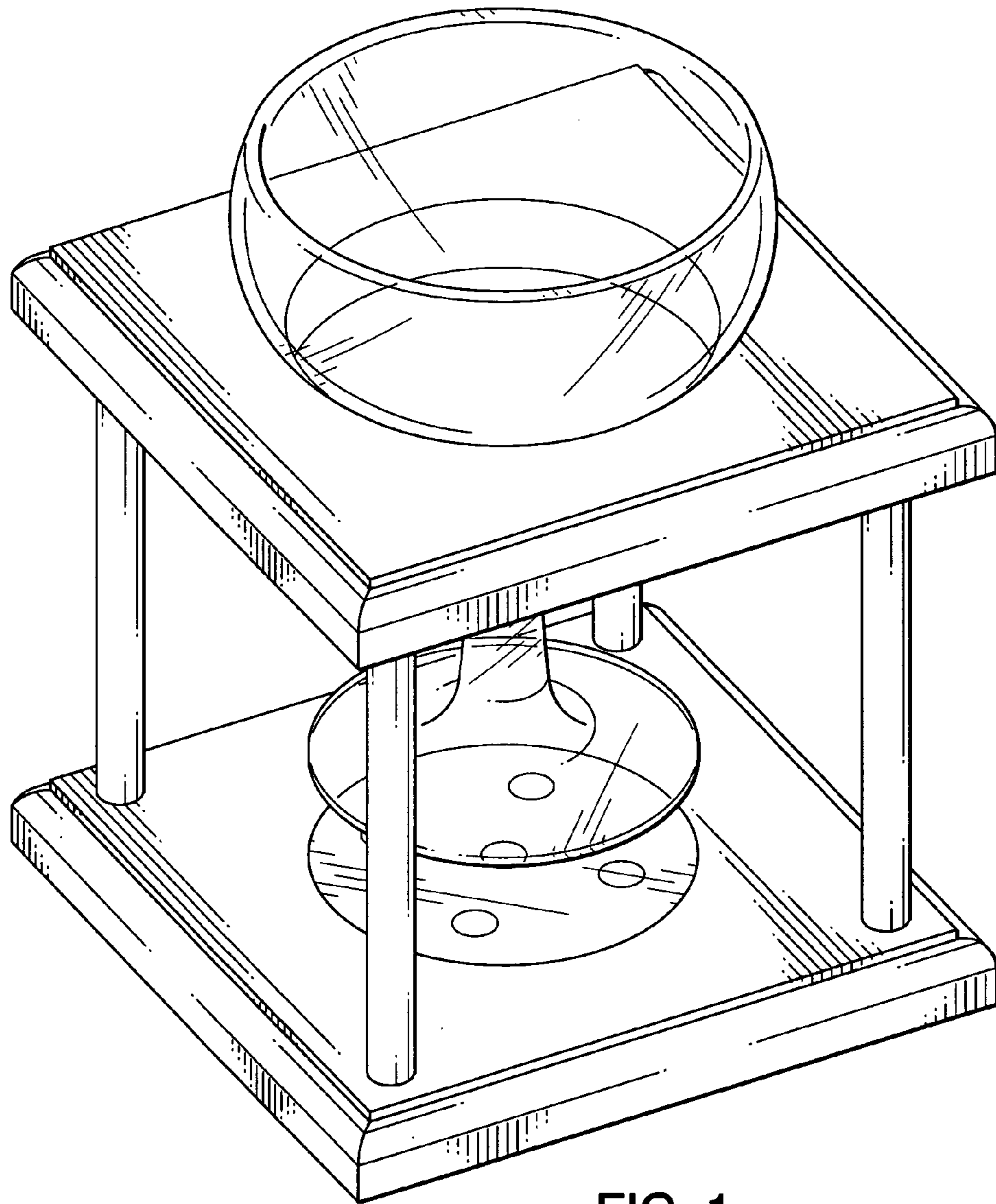


FIG. 1

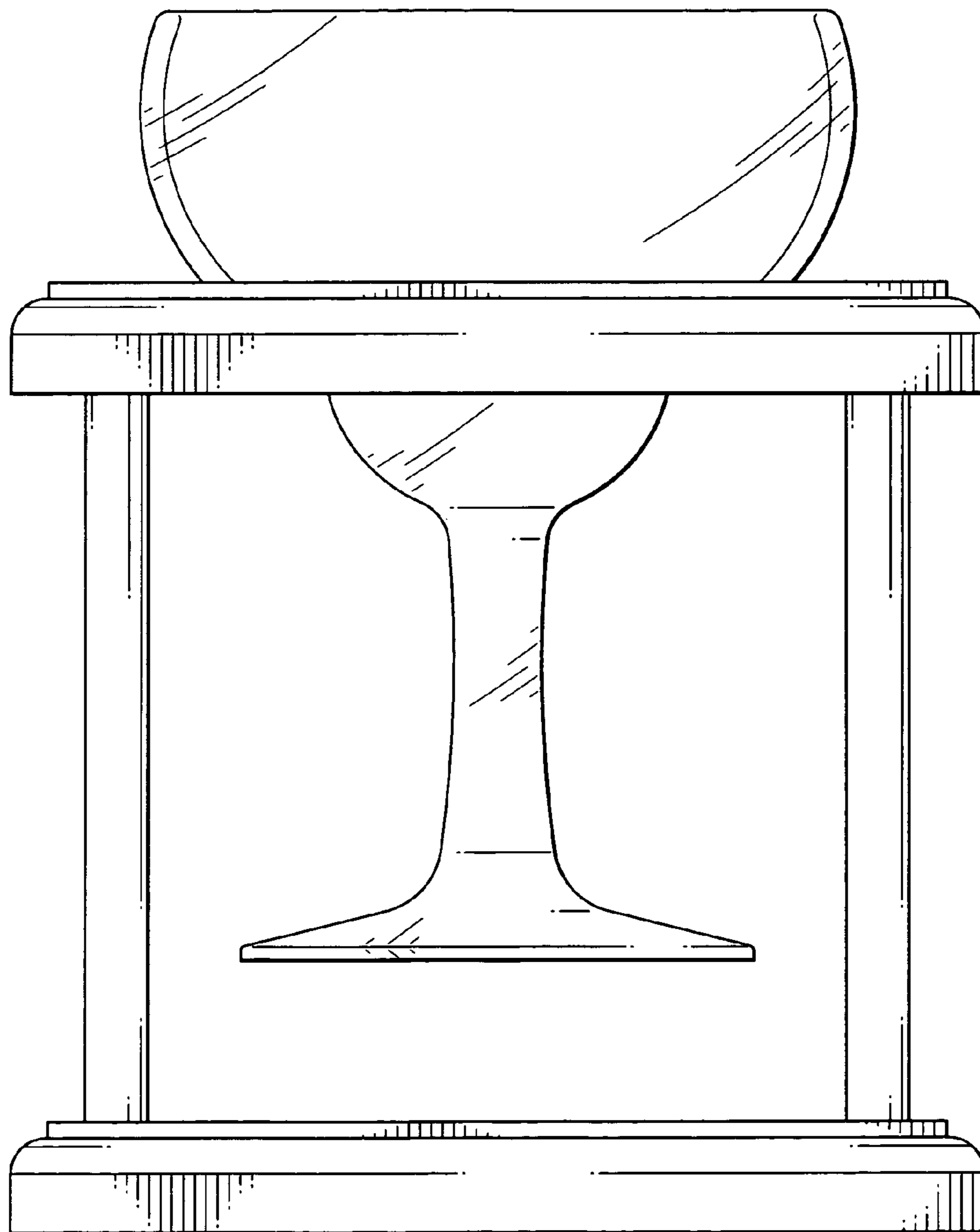


FIG. 2

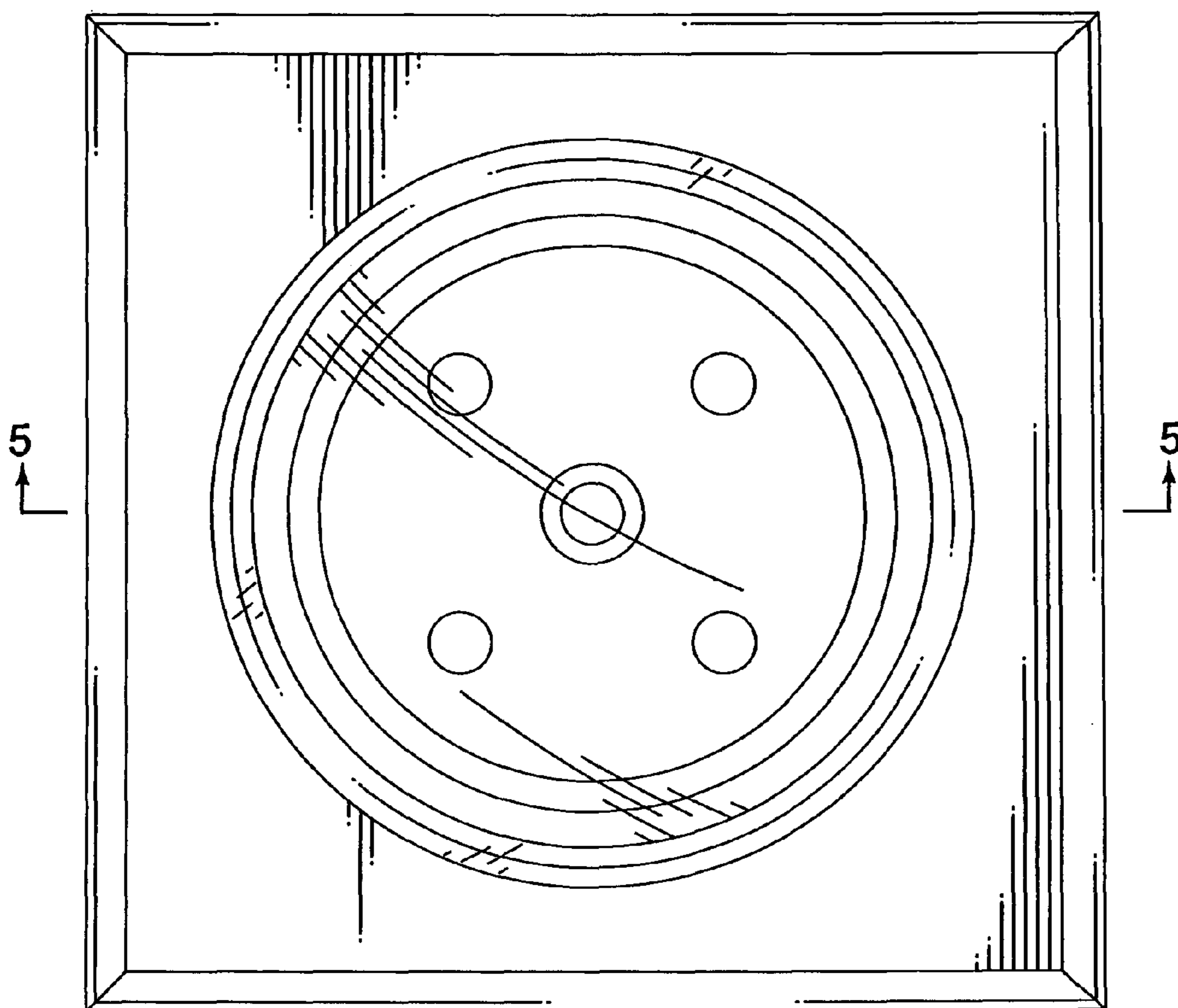


FIG. 3

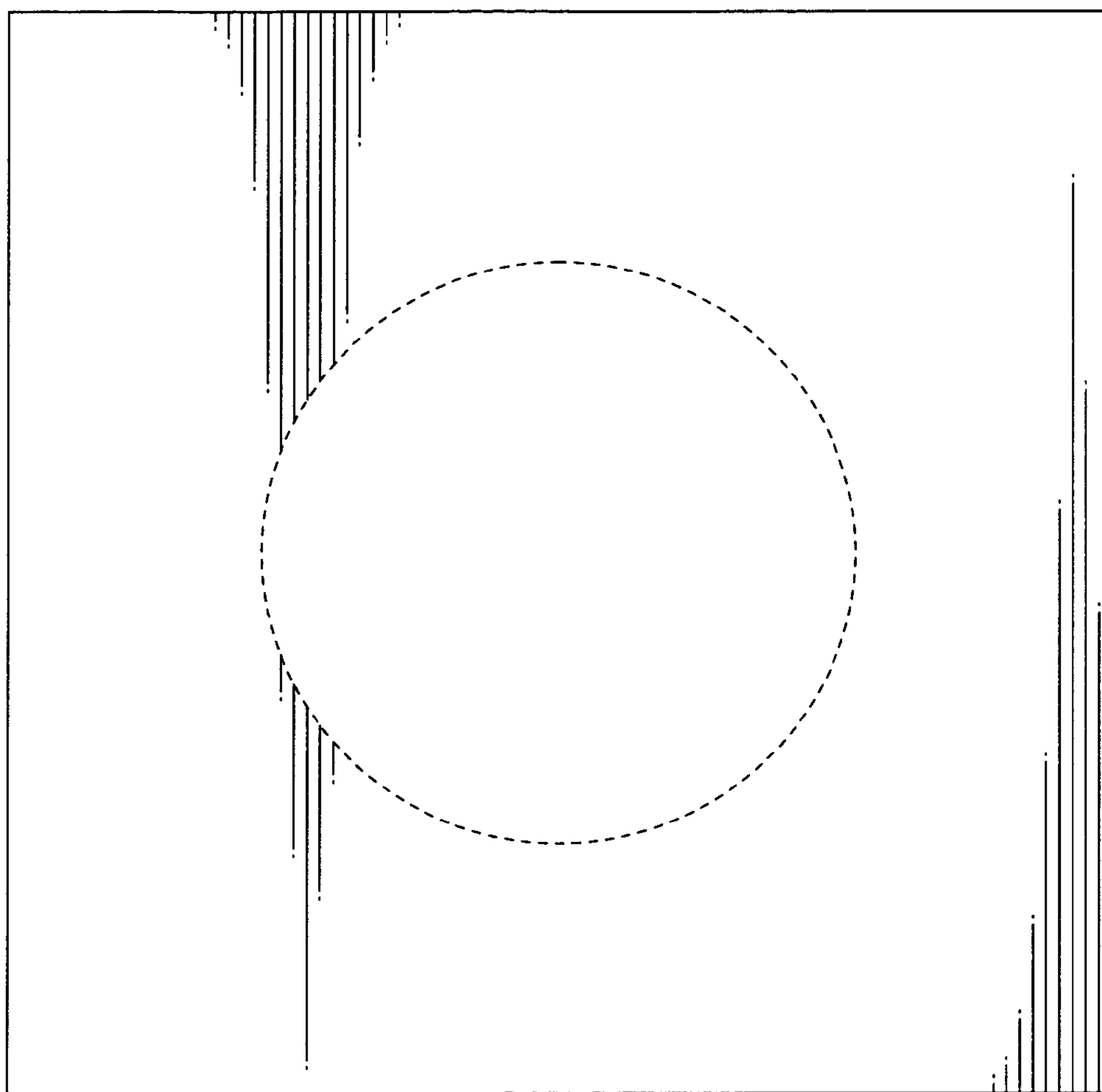


FIG. 4

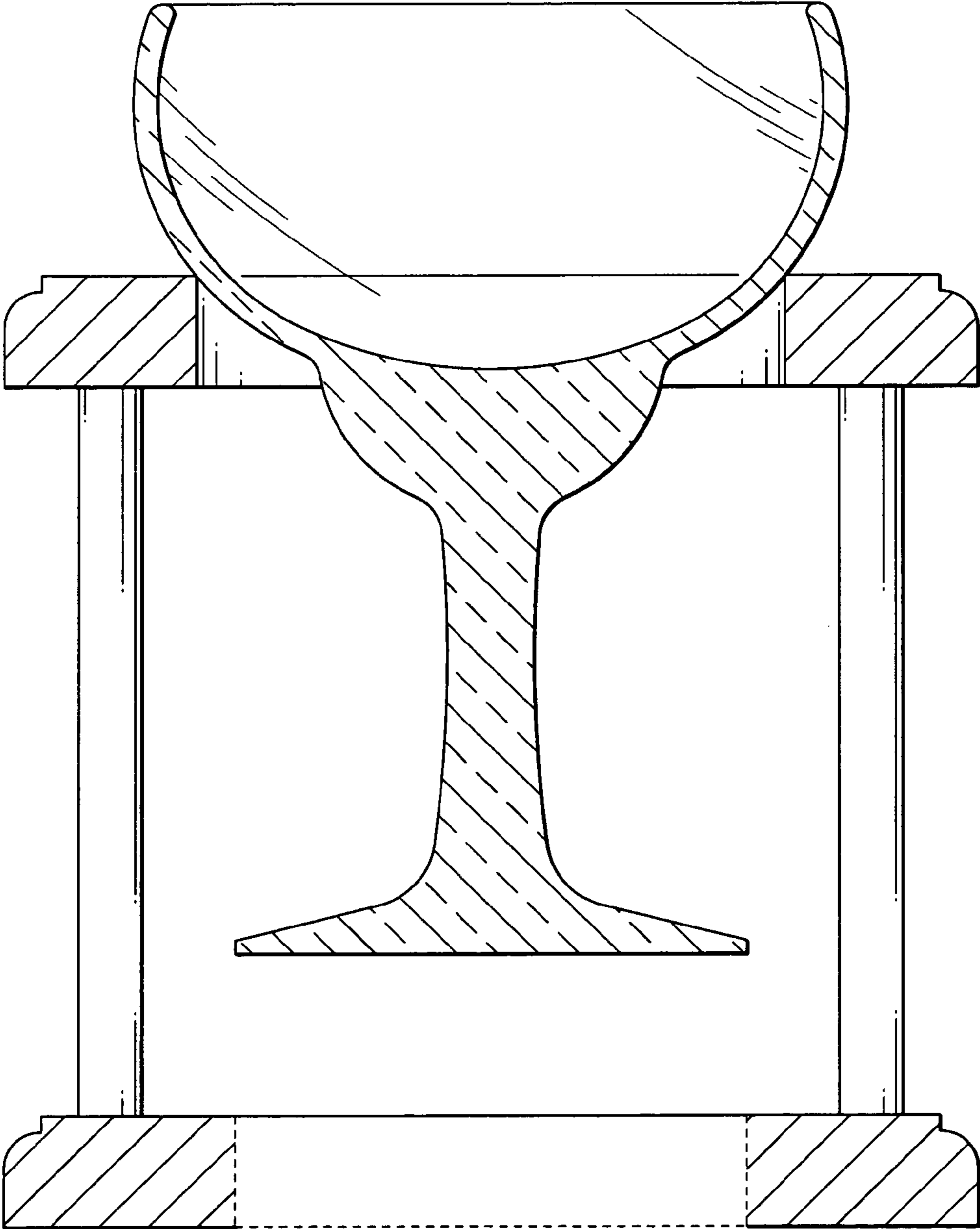


FIG. 5