



US00D657619S

(12) **United States Design Patent**
Zemel

(10) **Patent No.:** **US D657,619 S**
(45) **Date of Patent:** **** Apr. 17, 2012**

- (54) **UTENSIL HANDLE**
- (75) Inventor: **Marc Zemel**, Melville, NY (US)
- (73) Assignee: **Mr. Bar-B-Q-, Inc.**, Old Bethpage, NY (US)
- (**) Term: **14 Years**
- (21) Appl. No.: **29/397,392**
- (22) Filed: **Jul. 15, 2011**
- (51) **LOC (9) Cl.** **07-02**
- (52) **U.S. Cl.** **D7/393**
- (58) **Field of Classification Search** D7/393,
D7/395, 401.2, 683, 685, 686, 687, 688;
D8/39, 52-55, 107; 294/3, 11, 16, 99.1,
294/99.2, 100, 103.1, 104, 106, 110.1, 115
See application file for complete search history.

D564,291 S 3/2008 Zemel
D588,867 S 3/2009 Zemel
D601,849 S 10/2009 Zemel

OTHER PUBLICATIONS

U.S. Appl. No. 29/394,761, filed Jun. 21, 2011, Marc Zemel.
U.S. Appl. No. 29/397,393, filed Jul. 15, 2011, Marc Zemel.
U.S. Appl. No. 29/399,960, filed Aug. 21, 2011, Marc Zemel.
U.S. Appl. No. 29/401,572, filed Sep. 13, 2011, Marc Zemel.

* cited by examiner

Primary Examiner — Cynthia M Chin

(74) *Attorney, Agent, or Firm* — Carter, DeLuca, Farrell & Schmidt LLP

(57) **CLAIM**

The ornamental design for a utensil handle, as shown and described.

DESCRIPTION

FIG. 1 is a front side perspective view of a utensil handle in accordance with the present design;
FIG. 2 is a rear side perspective view thereof;
FIG. 3 is a top plan view thereof;
FIG. 4 is a bottom view thereof;
FIG. 5 is a right side elevational view thereof;
FIG. 6 is a left side elevational view thereof; and,
FIG. 7 is a rear elevational view thereof.

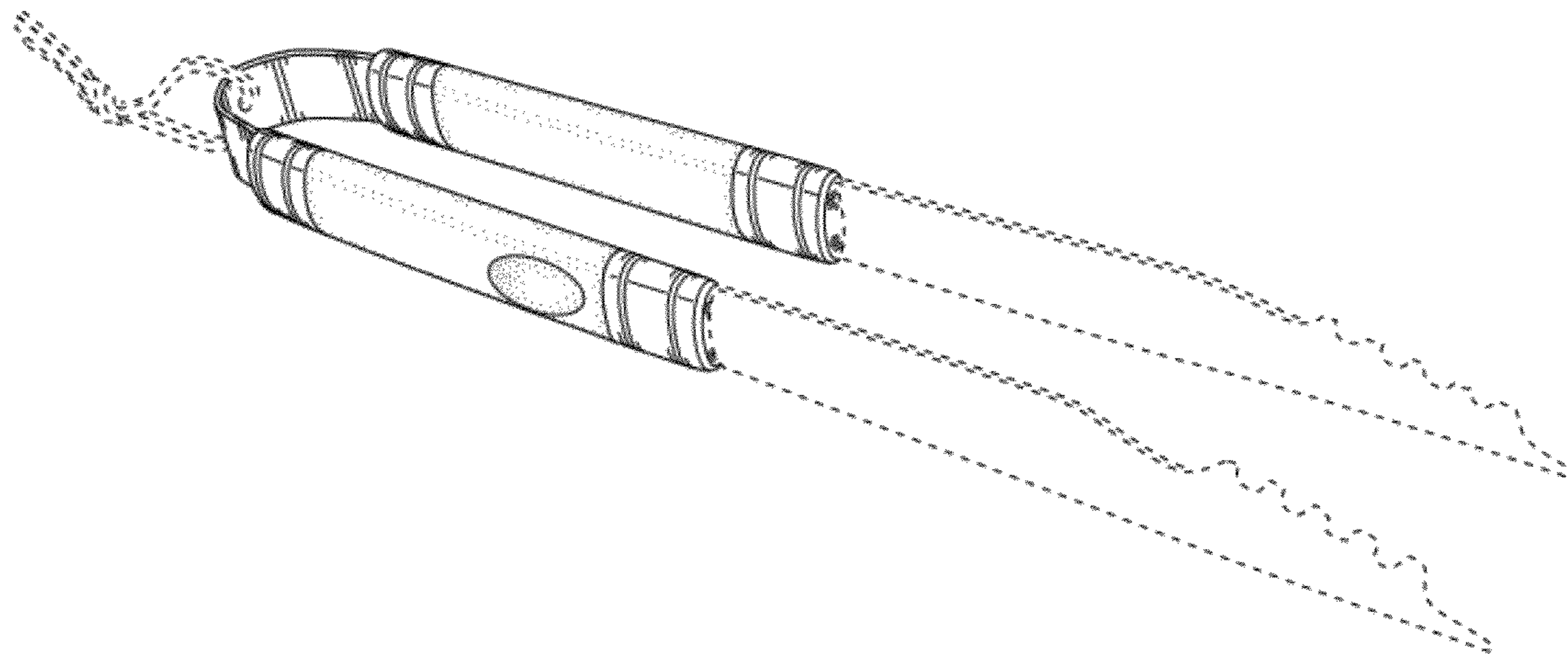
The broken lines shown are included for the purpose of illustrating a portion of the utensil handle that forms no part of the claimed design.

1 Claim, 4 Drawing Sheets

(56) **References Cited**

U.S. PATENT DOCUMENTS

D414,653 S	*	10/1999	Kaposi et al.	D7/401.2
D448,609 S	*	10/2001	Hay et al.	D7/395
D519,332 S	*	4/2006	Sanchez	D7/686
D535,145 S		1/2007	Zemel		
D535,853 S		1/2007	Zemel		
D545,122 S		6/2007	Zemel		
D546,620 S		7/2007	Zemel		
D564,290 S		3/2008	Zemel		



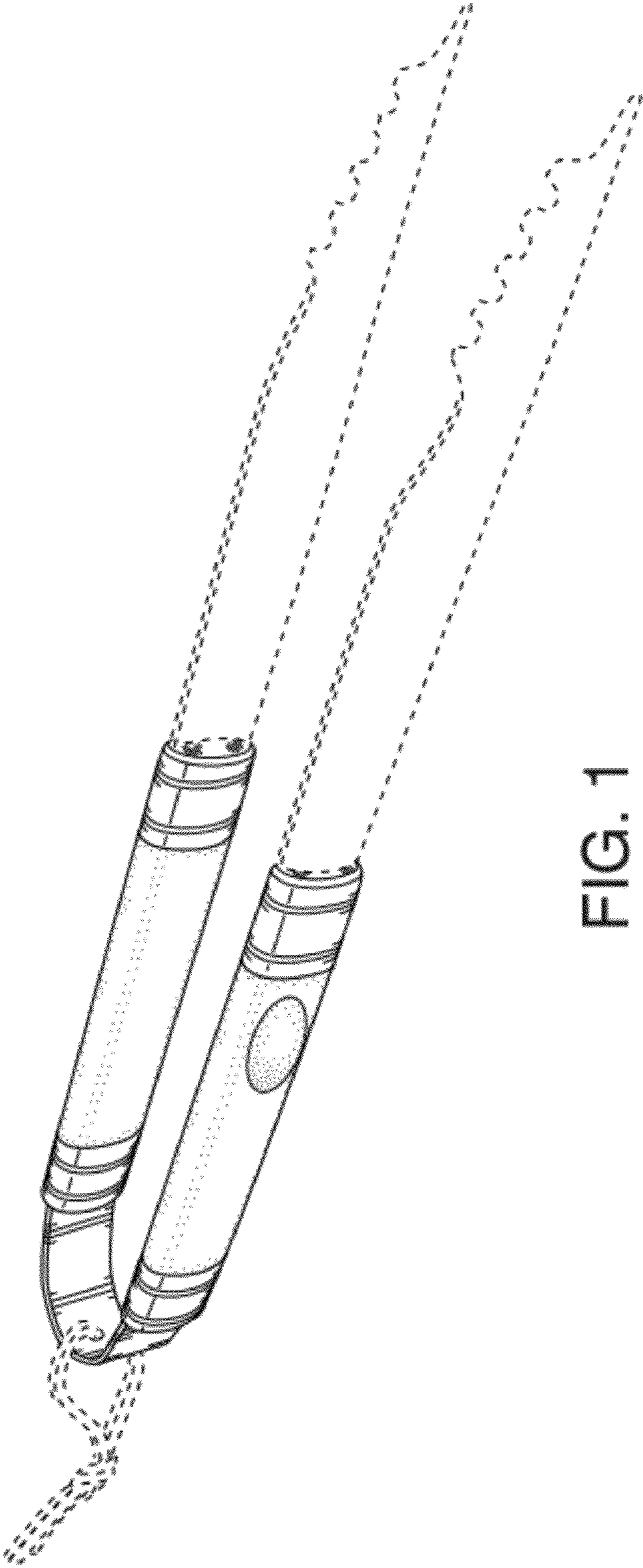


FIG. 1

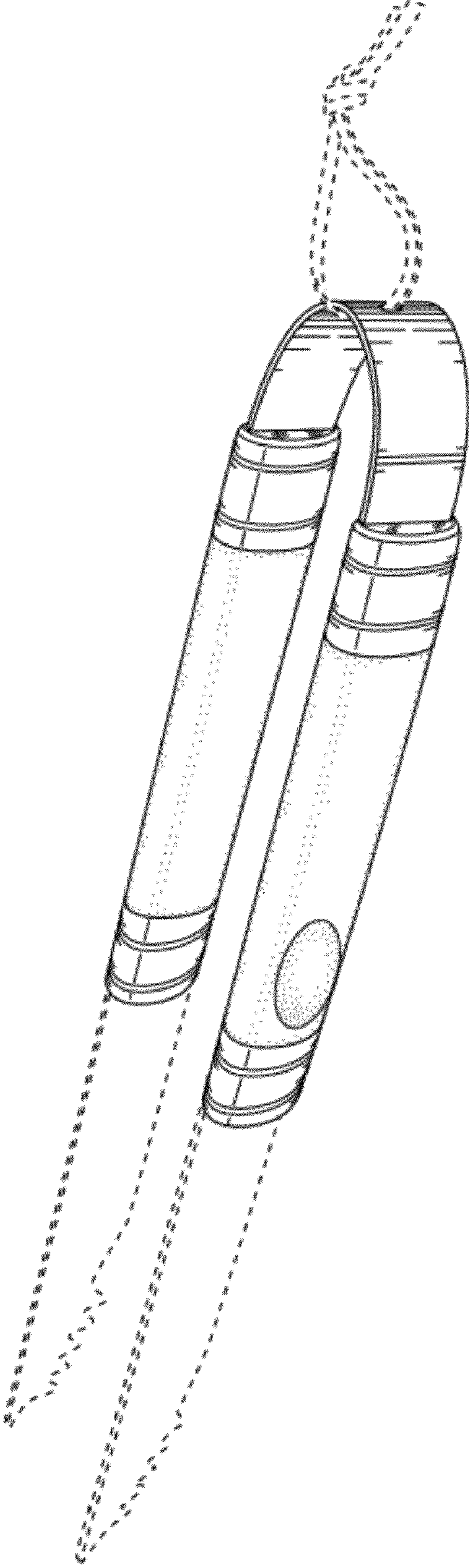


FIG. 2

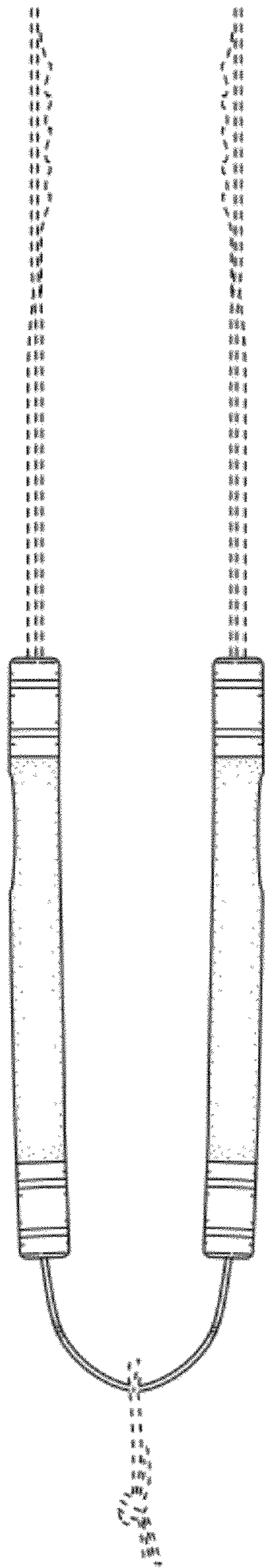


FIG. 3

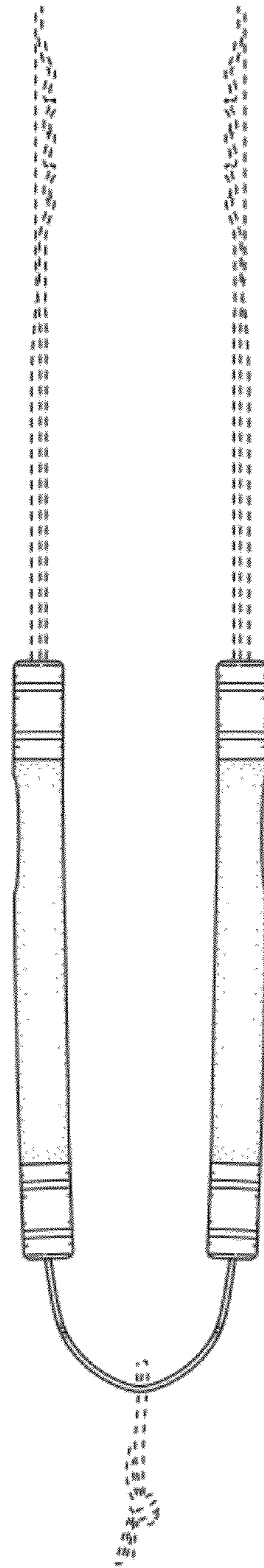


FIG. 4

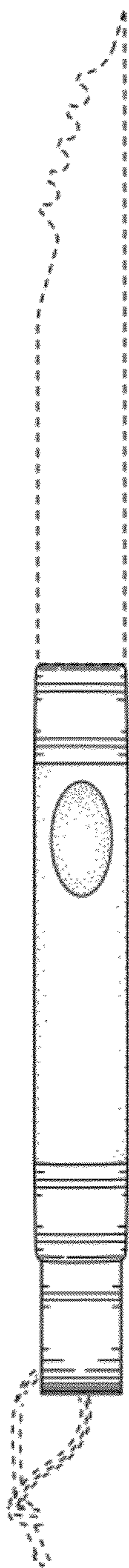


FIG. 5

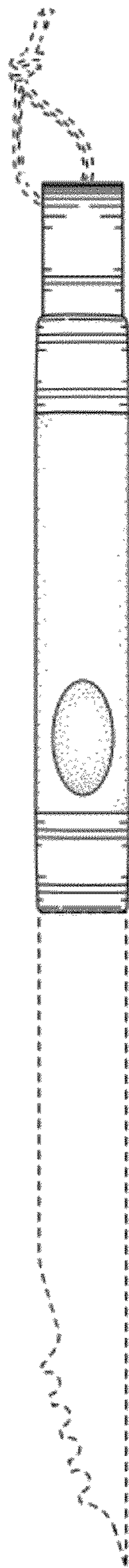


FIG. 6

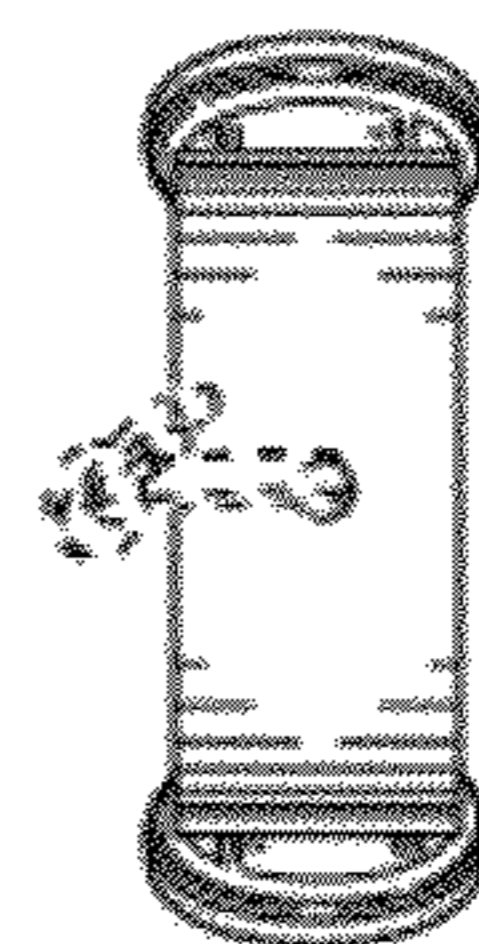


FIG. 7