



US00D657612S

(12) **United States Design Patent**
Cloutier et al.

(10) **Patent No.:** **US D657,612 S**
(45) **Date of Patent:** **** Apr. 17, 2012**

(54) **POULTRY ROASTER**

(75) Inventors: **Andre Dean Cloutier**, Blaine, WA (US);
Debra Lynne Sasken-Duff, Blaine, WA
(US); **Adriana Phillips**, Bellingham,
WA (US)

(73) Assignee: **Magellan Group Ltd**, Blaine, WA (US)

(**) Term: **14 Years**

(21) Appl. No.: **29/391,477**

(22) Filed: **May 9, 2011**

(51) **LOC (9) Cl.** **07-02**

(52) **U.S. Cl.** **D7/354; D7/360**

(58) **Field of Classification Search** D7/323,
D7/329-332, 339, 346-347, 350.1-350.4,
D7/353-367, 391, 393, 395, 402, 406, 409,
D7/538, 542; D11/152; 99/324-325, 331-332,
99/337-345, 369, 400-419, 422-426, 444,
99/451, 483; 126/37 R, 261, 374.1, 378.1;
206/501-505, 507-508; 219/400, 405, 429-442,
219/620-624, 725, 730-735; 220/203.05,
220/203.07, 203.09, 298, 315-316, 573.1-573.5,
220/912; 426/438, 441, 509

See application file for complete search history.

(56) **References Cited**

U.S. PATENT DOCUMENTS

D322,911 S * 1/1992 Schmengler D7/359
5,106,642 A * 4/1992 Ciofalo 426/509

5,575,198 A * 11/1996 Lowery 99/426
6,125,739 A * 10/2000 Jernigan 99/345
D437,522 S * 2/2001 Measom D7/354
D453,488 S * 2/2002 McCauley D11/152
6,427,582 B1 * 8/2002 Measom 99/342
6,502,503 B1 * 1/2003 Bell et al. 99/419
6,575,082 B1 * 6/2003 Liao 99/340
D506,352 S * 6/2005 Dow et al. D7/361
D513,930 S * 1/2006 Novi D7/409
D639,601 S * 6/2011 Borovicka et al. D7/354
2002/0195001 A1 * 12/2002 Hester 99/345

* cited by examiner

Primary Examiner — Ricky Pham

(74) *Attorney, Agent, or Firm* — Dwayne E. Rogge; Hughes
Law Firm, PLLC

(57) **CLAIM**

The ornamental design for a poultry roaster, as shown and
described.

DESCRIPTION

FIG. 1 is a perspective view of a poultry roaster showing our
new design.

FIG. 2 is a right side view thereof, with the left side view being
a mirror image thereof.

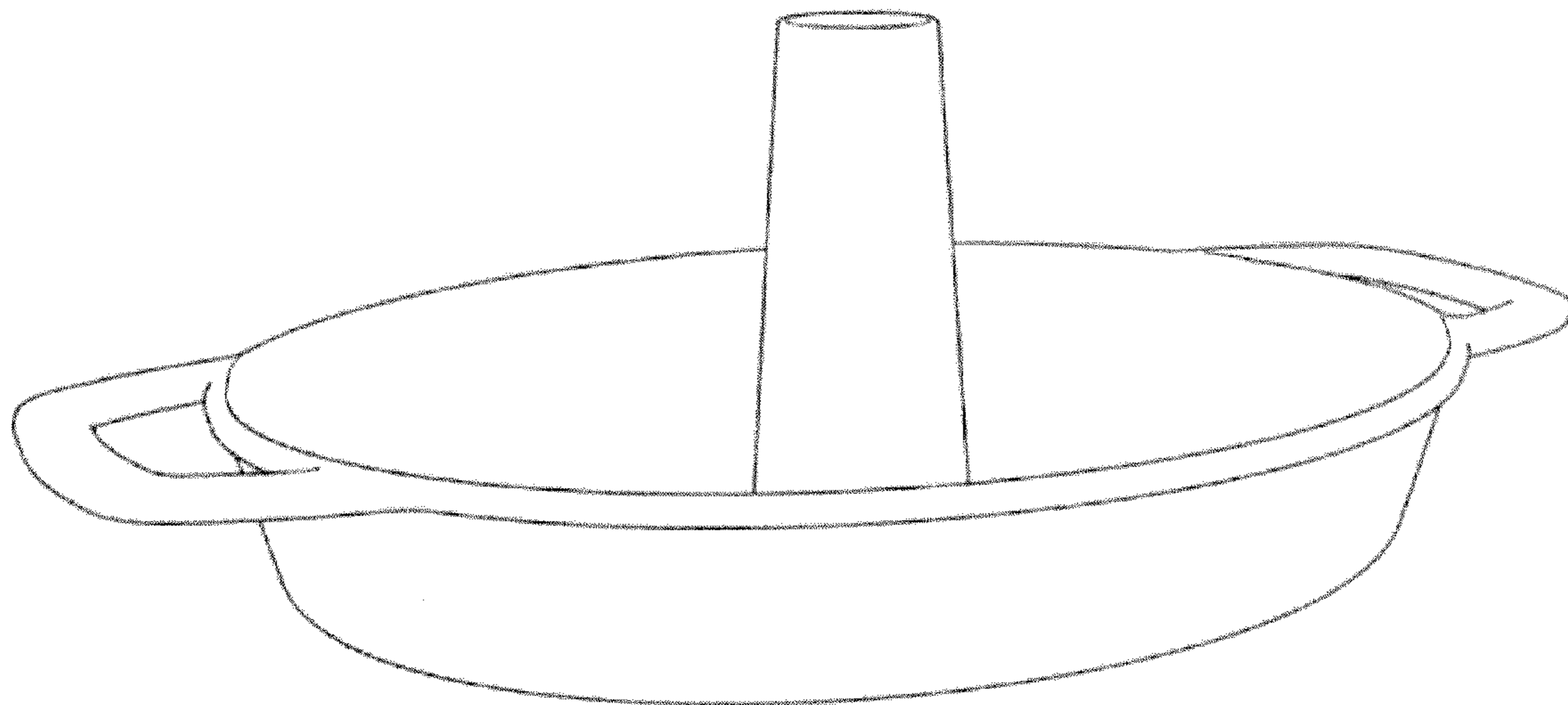
FIG. 3 is a front view thereof, with the rear view being a
mirror image thereof.

FIG. 4 is a top view thereof.

FIG. 5 is a bottom view thereof; and,

FIG. 6 is a cross-sectional view taken through line 6-6 of FIG.
4.

1 Claim, 6 Drawing Sheets



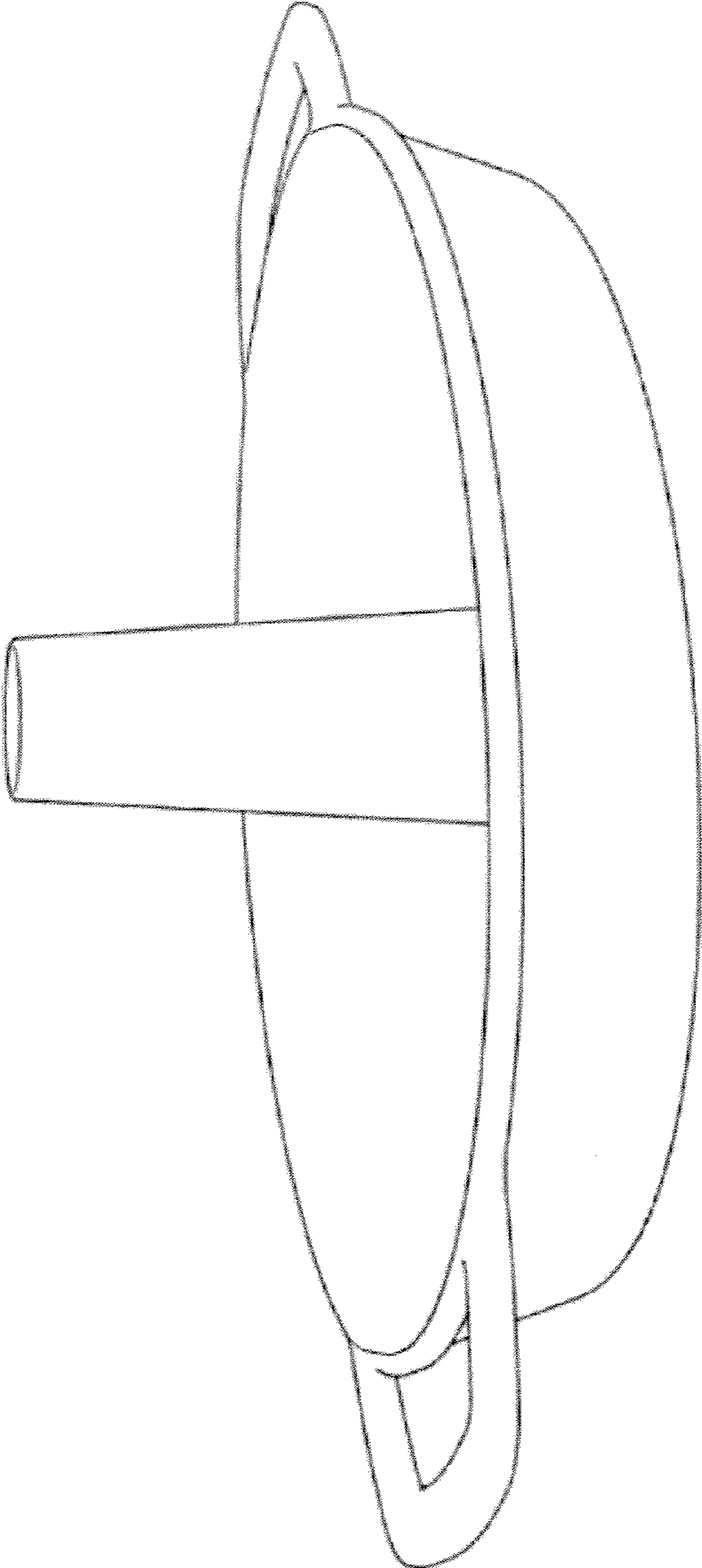


Fig. 1

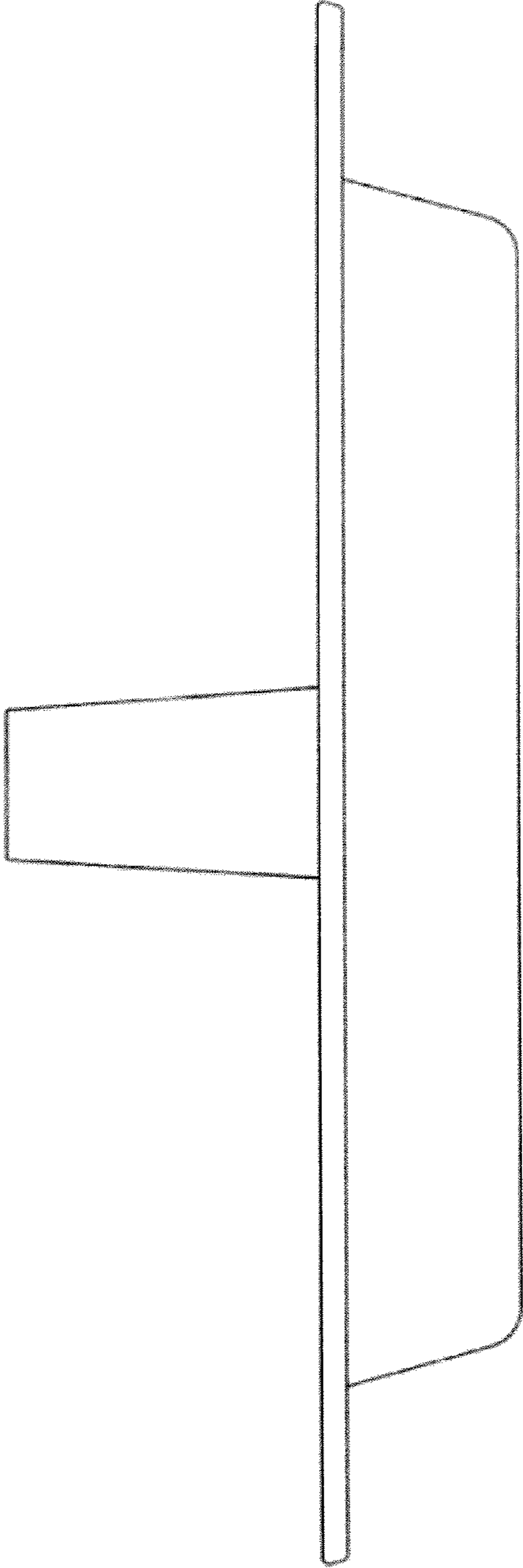


Fig. 2

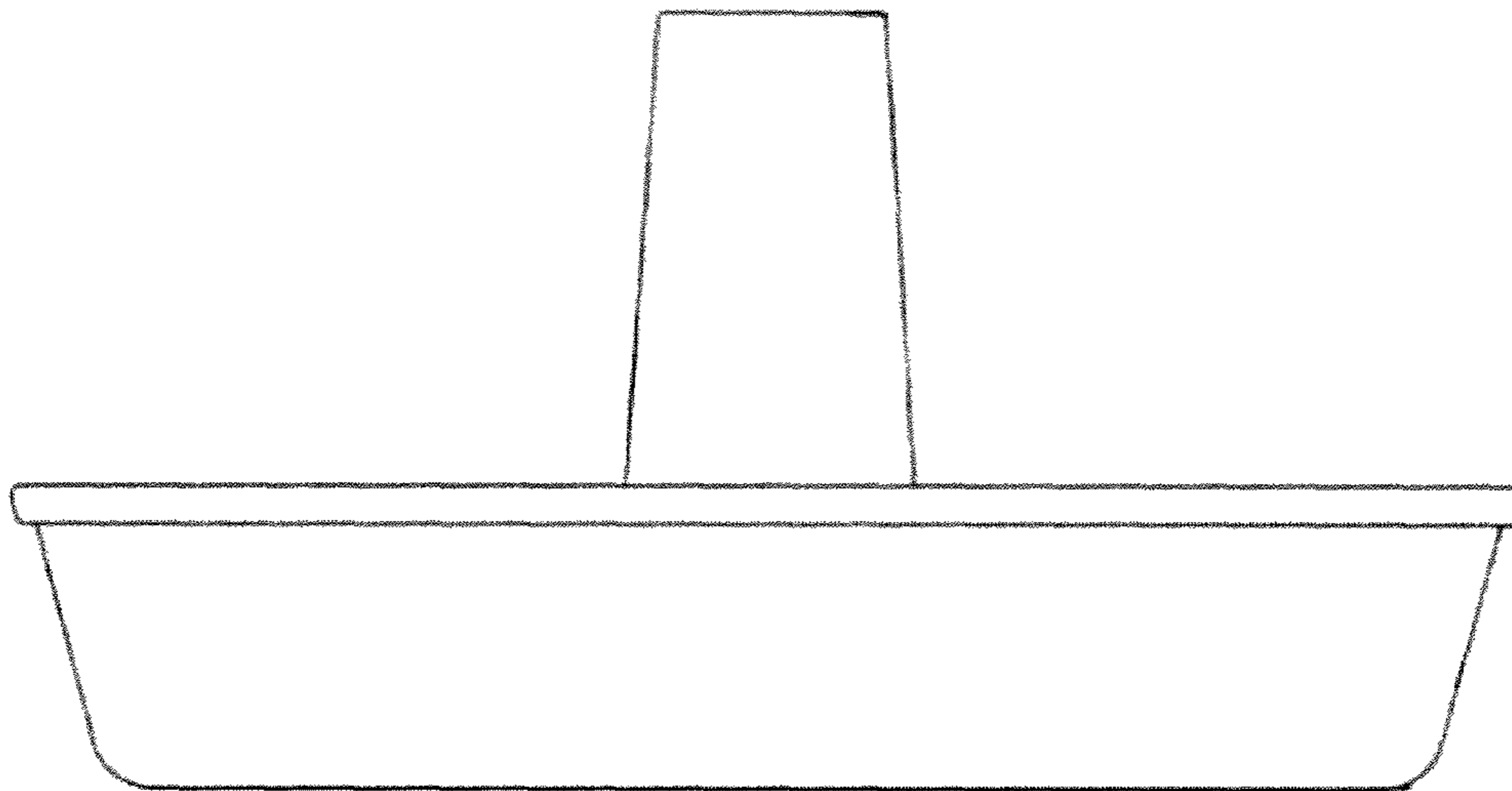


Fig. 3

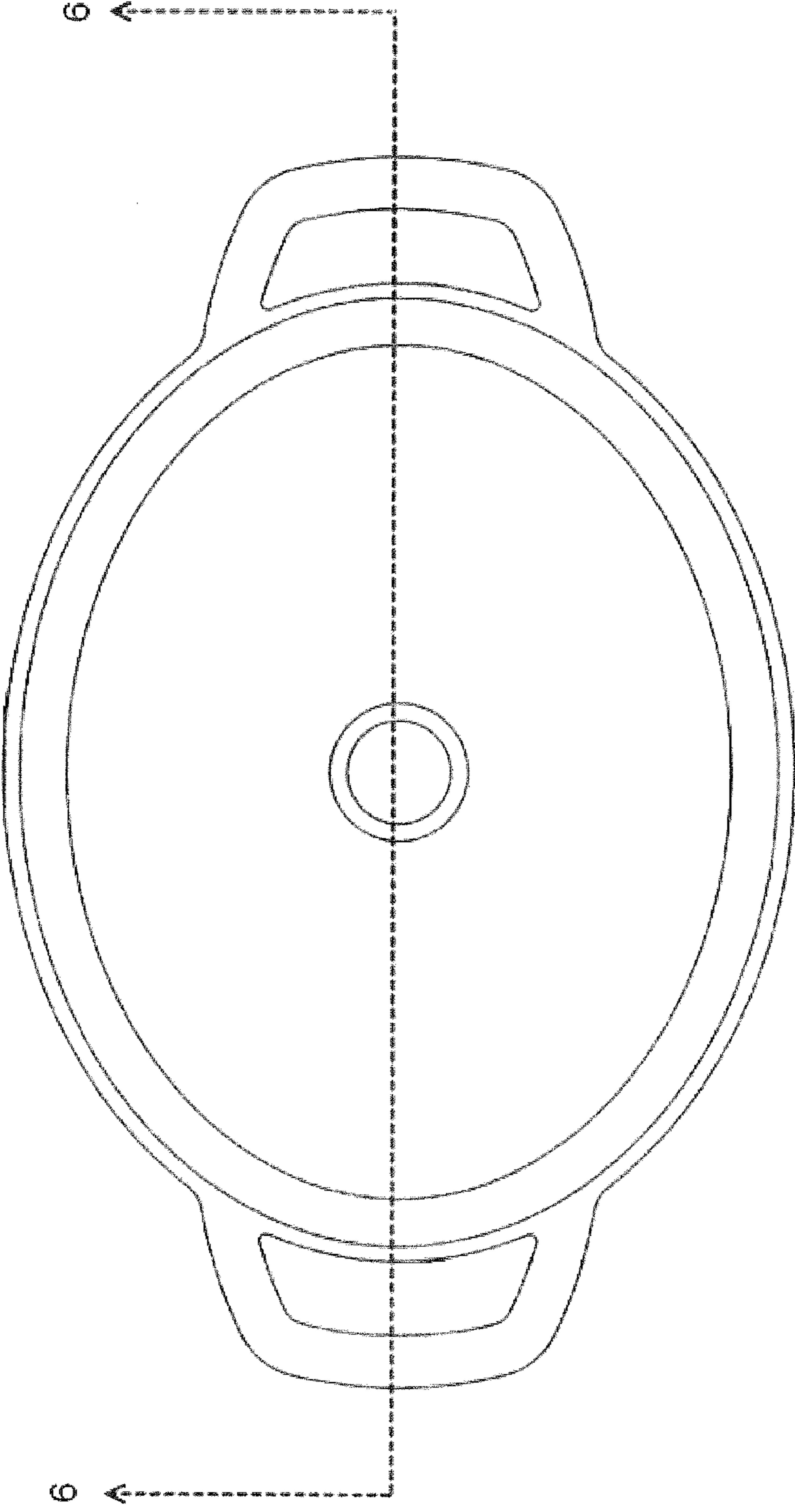


Fig. 4

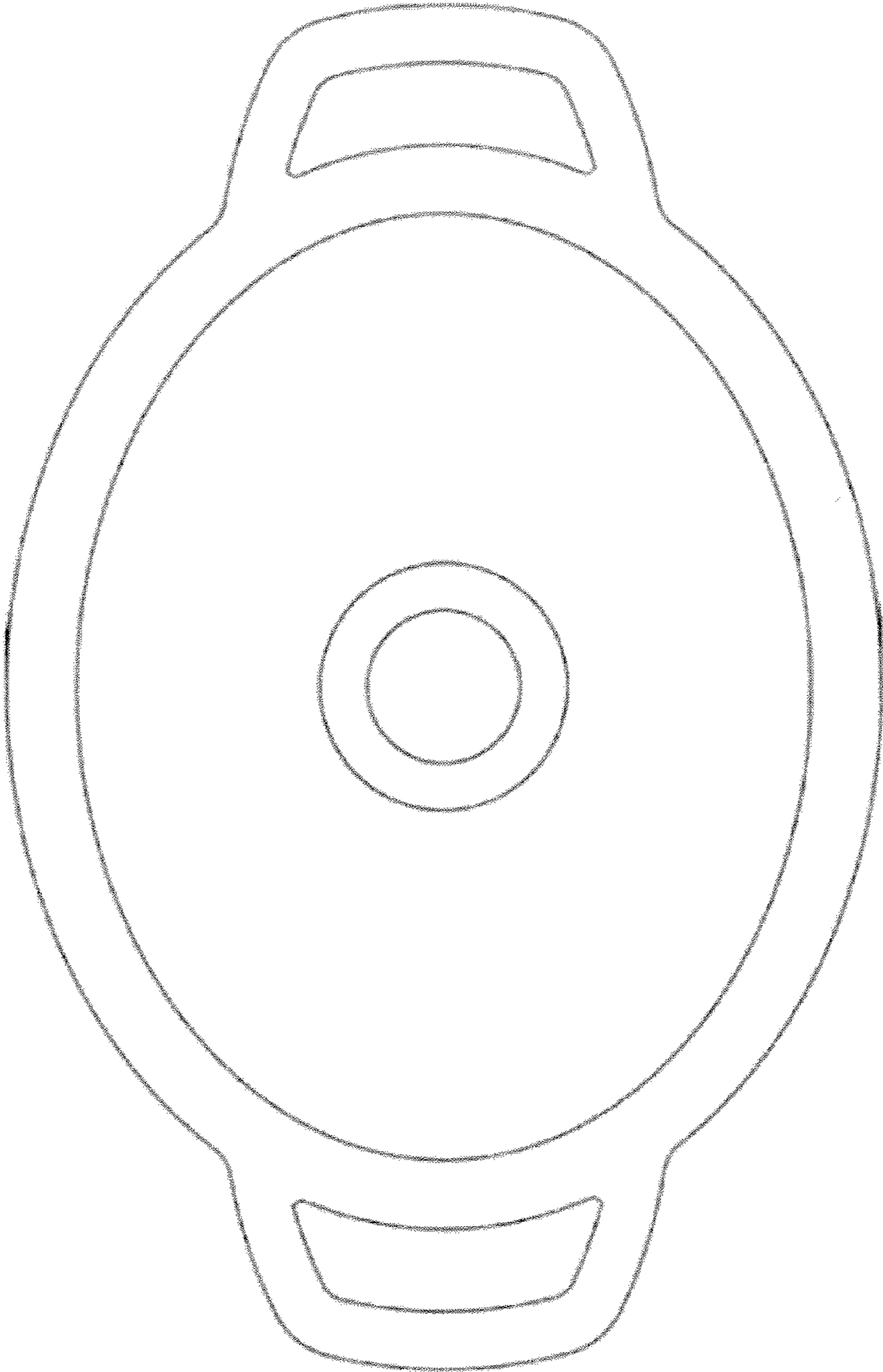


Fig. 5

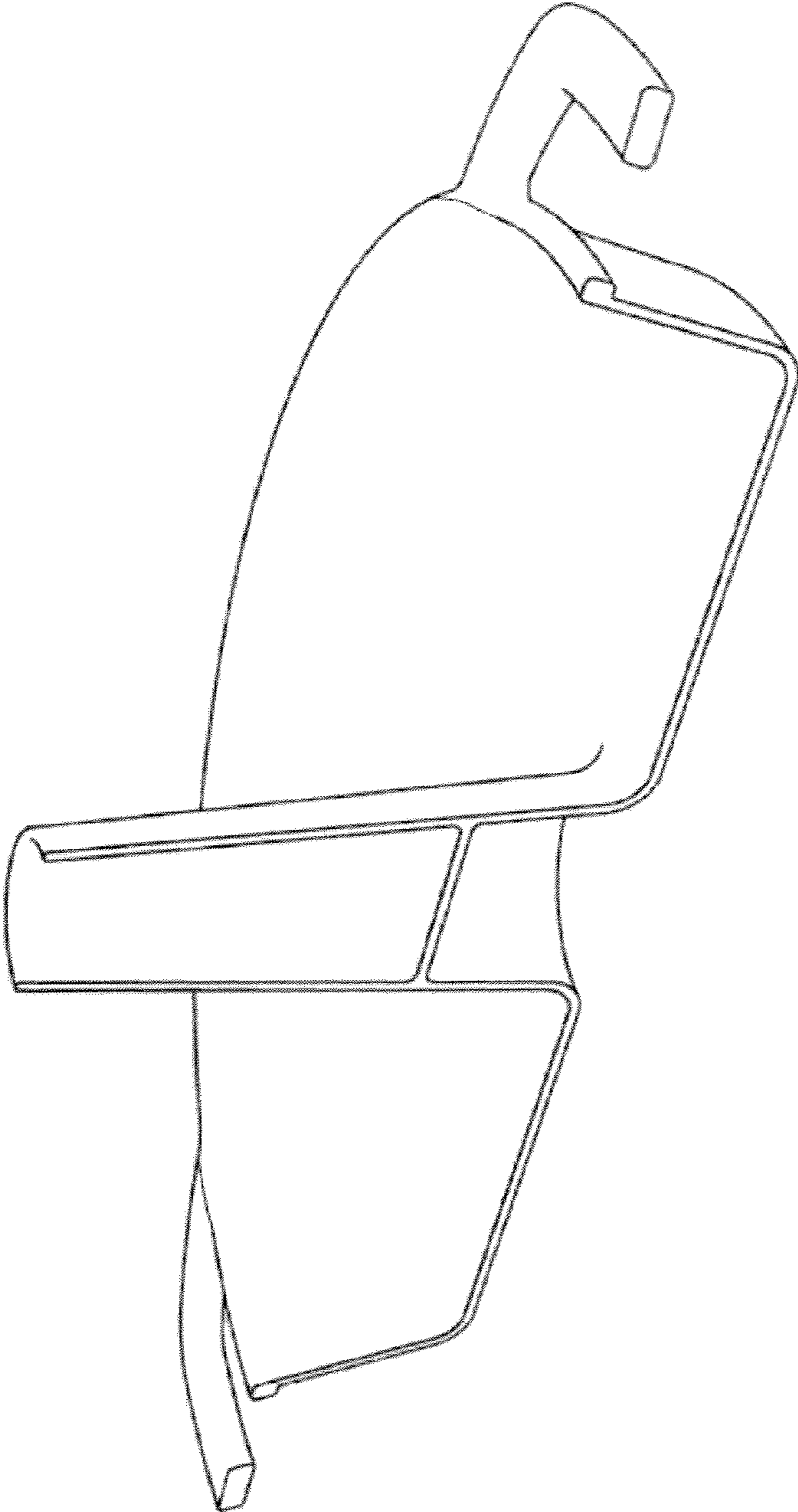


Fig. 6