



US00D657611S

(12) **United States Design Patent**
Bock

(10) **Patent No.:** **US D657,611 S**
(45) **Date of Patent:** **** Apr. 17, 2012**

- (54) **LID LATCH**
 - (75) Inventor: **Brian Bock**, Midlothian, VA (US)
 - (73) Assignee: **Hamilton Beach Brands, Inc.**, Glen Allen, VA (US)
 - (**) Term: **14 Years**
 - (21) Appl. No.: **29/386,630**
 - (22) Filed: **Mar. 3, 2011**
 - (51) **LOC (9) Cl.** **07-02**
 - (52) **U.S. Cl.** **D7/354; D7/358**
 - (58) **Field of Classification Search** D7/323, D7/329-332, 339, 346-347, 350.1-350.4, D7/353-367, 391, 393, 395, 402, 406, 538, D7/542; 99/324-325, 331-332, 337-343, 99/369, 400-418, 422, 425, 444, 451, 483; 126/37 R, 261, 374.1, 378.1; 206/501-505, 206/507-508; 219/400, 405, 429-442, 620-624, 219/725, 730-735; 220/203.05, 203.07, 220/203.09, 298, 315-316, 573.1-573.5, 220/912; 426/438, 441
- See application file for complete search history.

- D425,360 S 5/2000 Dobson
- 6,129,234 A 10/2000 Culig
- D434,940 S 12/2000 Hlava et al.
- 6,509,550 B1 1/2003 Li
- D476,191 S * 6/2003 Josancy D7/358
- 6,624,392 B2 9/2003 Li
- D486,352 S * 2/2004 Park D7/358
- 6,686,569 B2 2/2004 Li
- D492,882 S 7/2004 Liu
- 6,802,429 B1 10/2004 Wildman
- 6,851,351 B2 2/2005 Payen
- 6,884,971 B2 4/2005 Li
- 6,998,581 B2 2/2006 Currie
- 7,012,221 B2 3/2006 Li
- D534,759 S 1/2007 Wang
- D537,670 S 3/2007 Genslak
- D549,517 S * 8/2007 Moran D7/358
- 7,284,733 B2 10/2007 Parenteau
- D590,204 S 4/2009 Tetreault
- D594,694 S 6/2009 Pino
- D607,267 S * 1/2010 Molayem D7/358
- D611,758 S 3/2010 Seymour
- 7,717,028 B2 5/2010 Serra

(Continued)

Primary Examiner — Ricky Pham
(74) Attorney, Agent, or Firm — Alexander D. Raring

(56) **References Cited**

U.S. PATENT DOCUMENTS

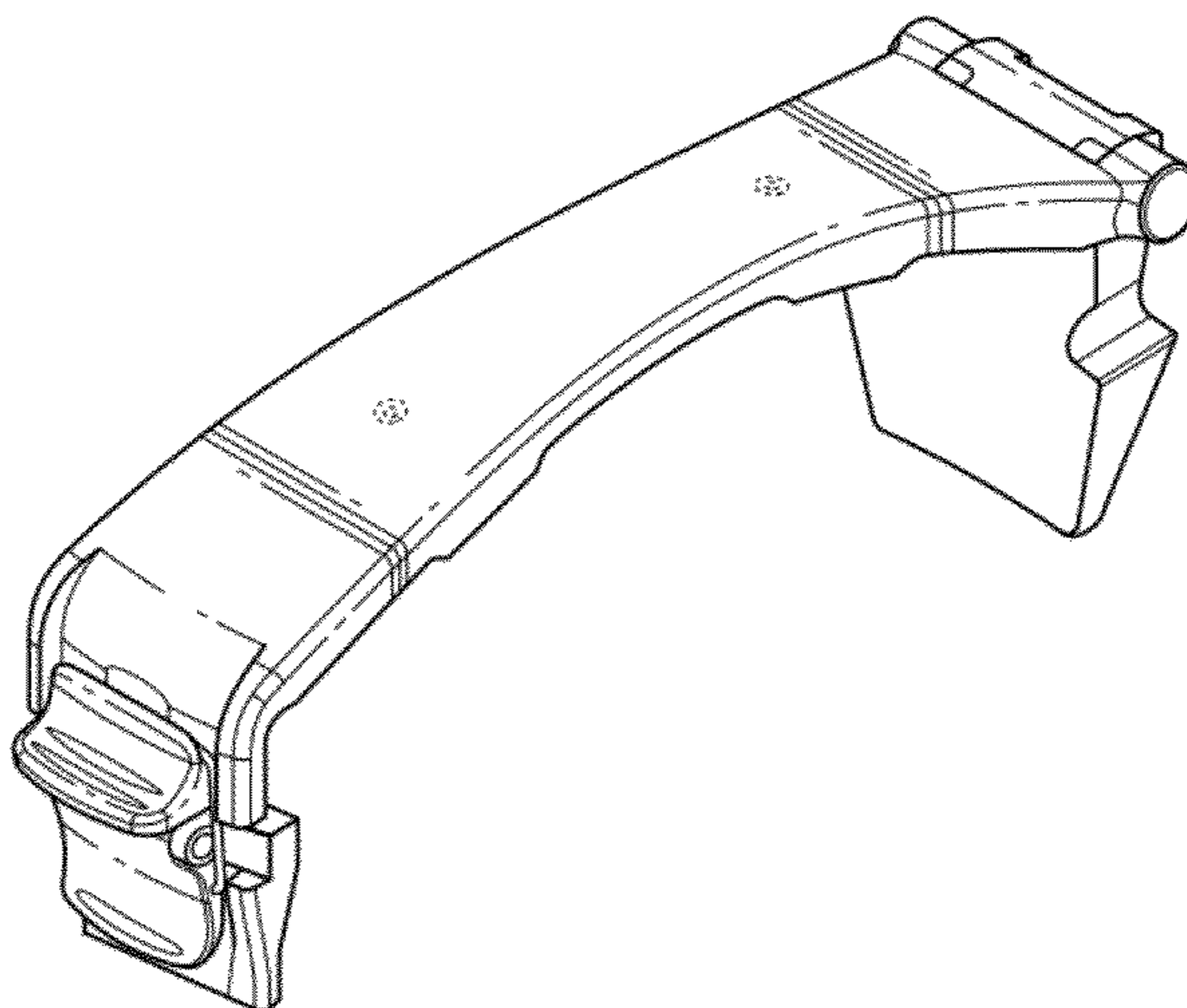
- 3,801,331 A 4/1974 Sano
- 3,842,725 A 10/1974 Sano
- 4,148,250 A 4/1979 Miki et al.
- 4,847,949 A 7/1989 Goad
- D329,570 S * 9/1992 Gerlach D7/360
- D332,549 S 1/1993 Gerlach
- D341,058 S * 11/1993 Slany et al. D7/360
- D345,485 S 3/1994 Leung
- D345,886 S 4/1994 Gingele
- D347,963 S 6/1994 Pretzsch
- 5,429,039 A 7/1995 Chang
- D370,381 S * 6/1996 Roussard D7/358
- D370,827 S * 6/1996 Combe D7/360
- D380,504 S 7/1997 Yang
- D395,980 S 7/1998 Buissilier
- D418,360 S 1/2000 Kei

(57) **CLAIM**
The ornamental design for a lid latch, as shown and described.

DESCRIPTION

FIG. 1A is a perspective view as seen from the top, front and right side of a lid latch showing the new design; FIG. 1 is a magnified perspective view thereof; FIG. 2 is a front view thereof; FIG. 3 is a rear view thereof; FIG. 4 is a left side view thereof; FIG. 5 is a right side view thereof; FIG. 6 is a top view thereof; and, FIG. 7 is a bottom view thereof. The broken lines in the drawings are included for illustrative purposes only and form no part of the claimed design.

1 Claim, 6 Drawing Sheets



US D657,611 S

Page 2

U.S. PATENT DOCUMENTS									
7,789,015	B2	9/2010	Crow		2004/0079747	A1*	4/2004	Wang	219/438
D626,784	S	* 11/2010	Xie	D7/360	2005/0167435	A1	8/2005	Whitmer	
D641,204	S	* 7/2011	Baumgartner et al.	D7/360	2008/0083730	A1	4/2008	Dolgov	
D642,856	S	* 8/2011	Bock et al.	D7/357	2009/0218355	A1	9/2009	Chameroy et al.	

* cited by examiner

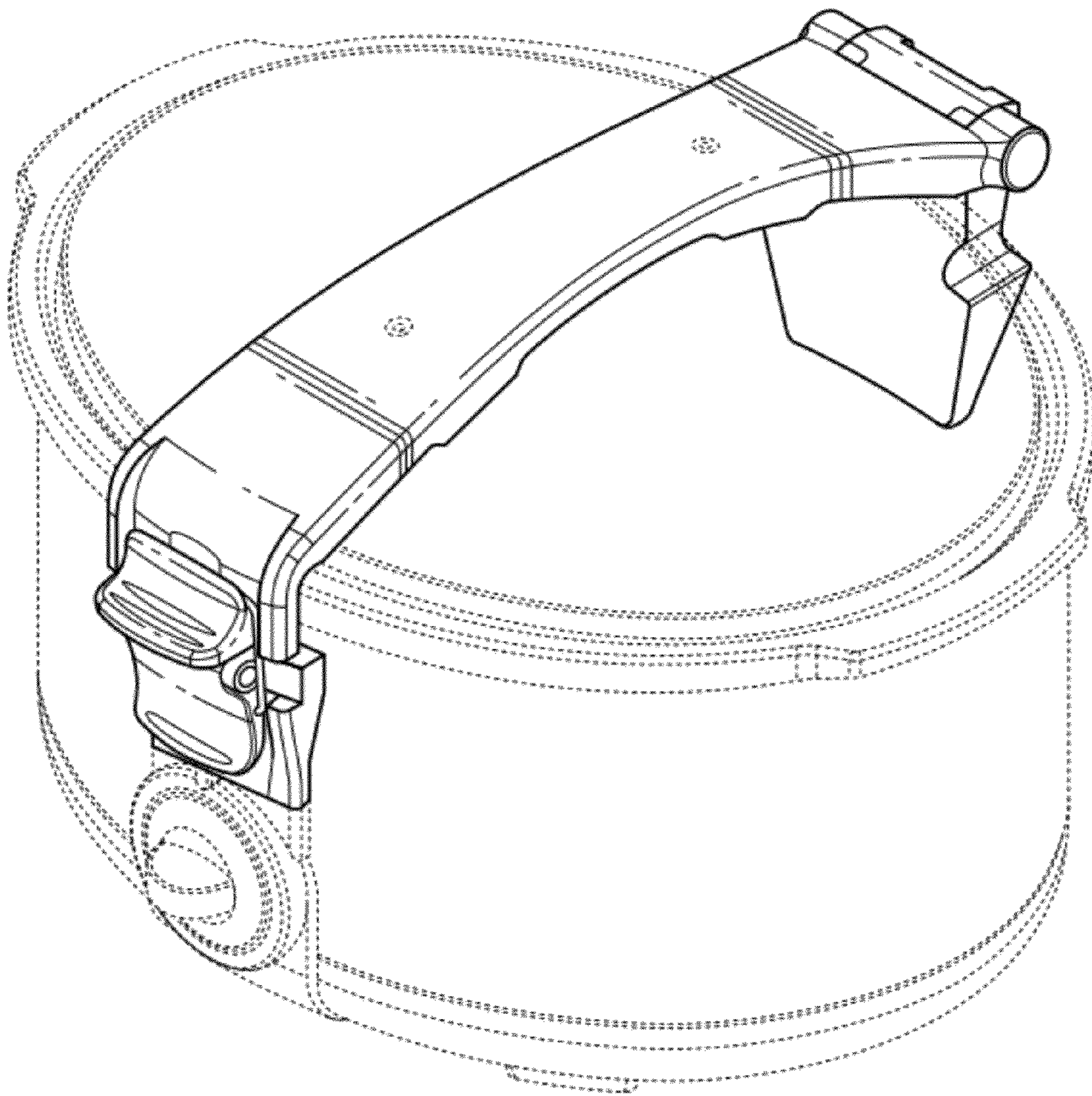


FIG. 1A

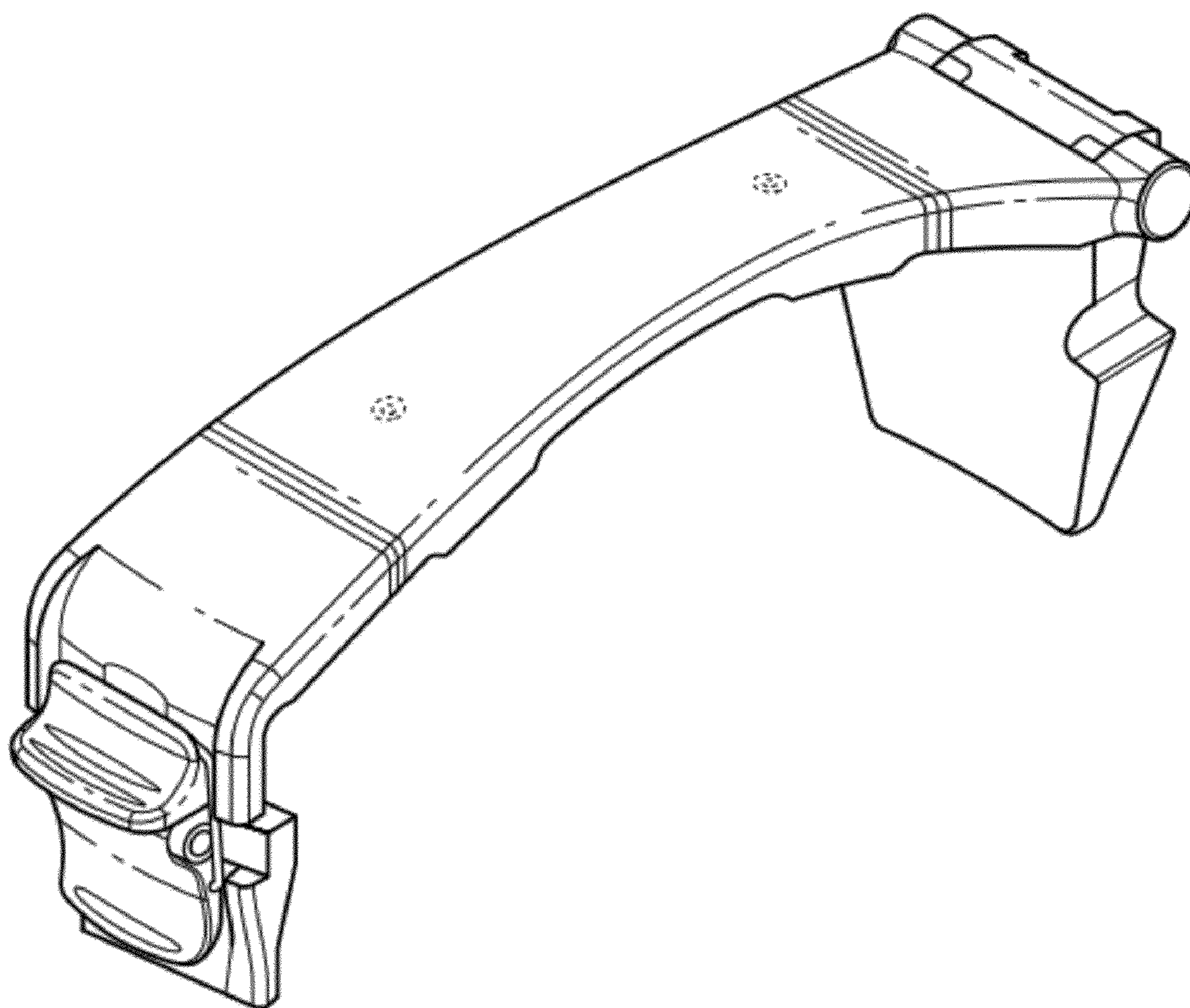


FIG. 1

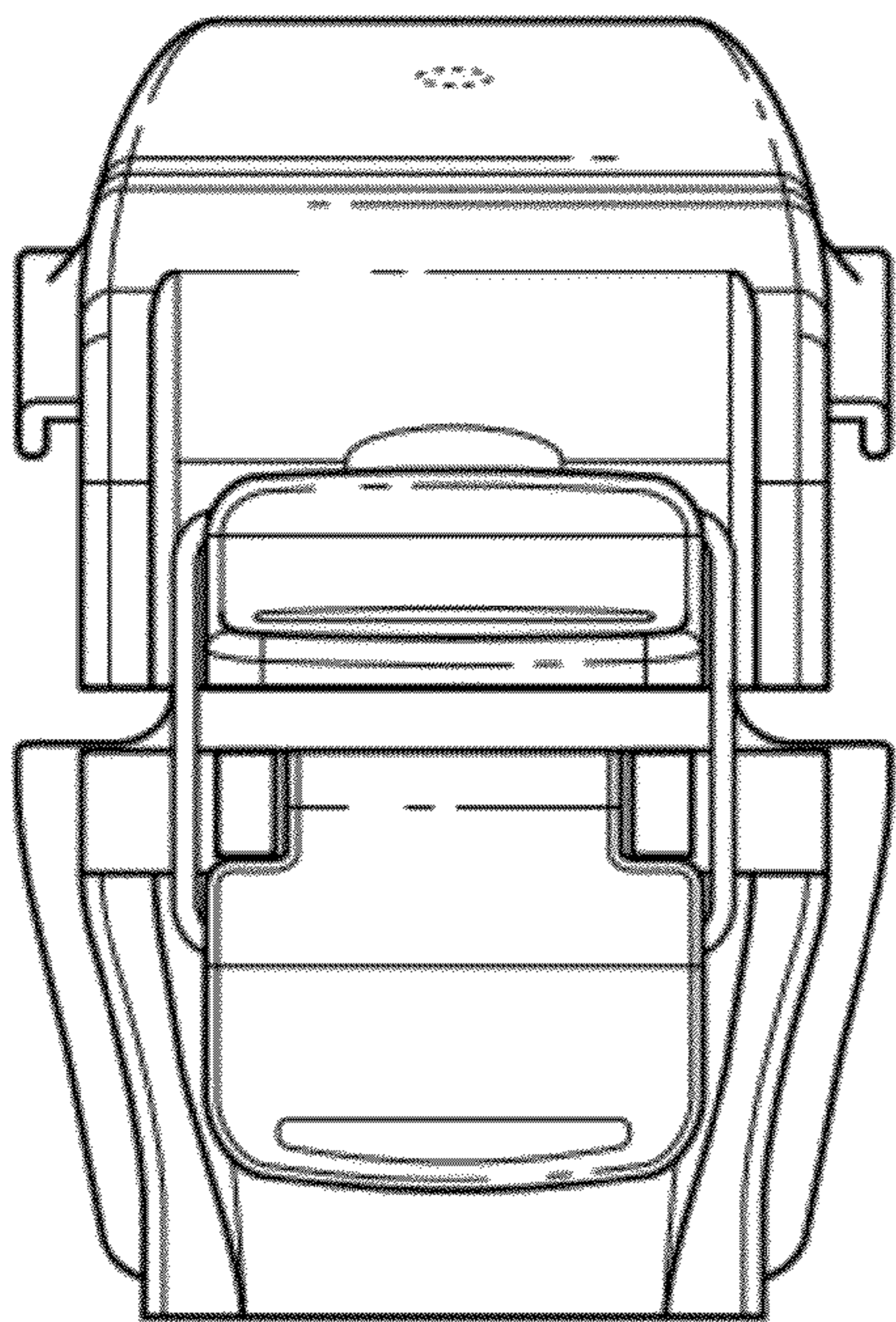


FIG. 2

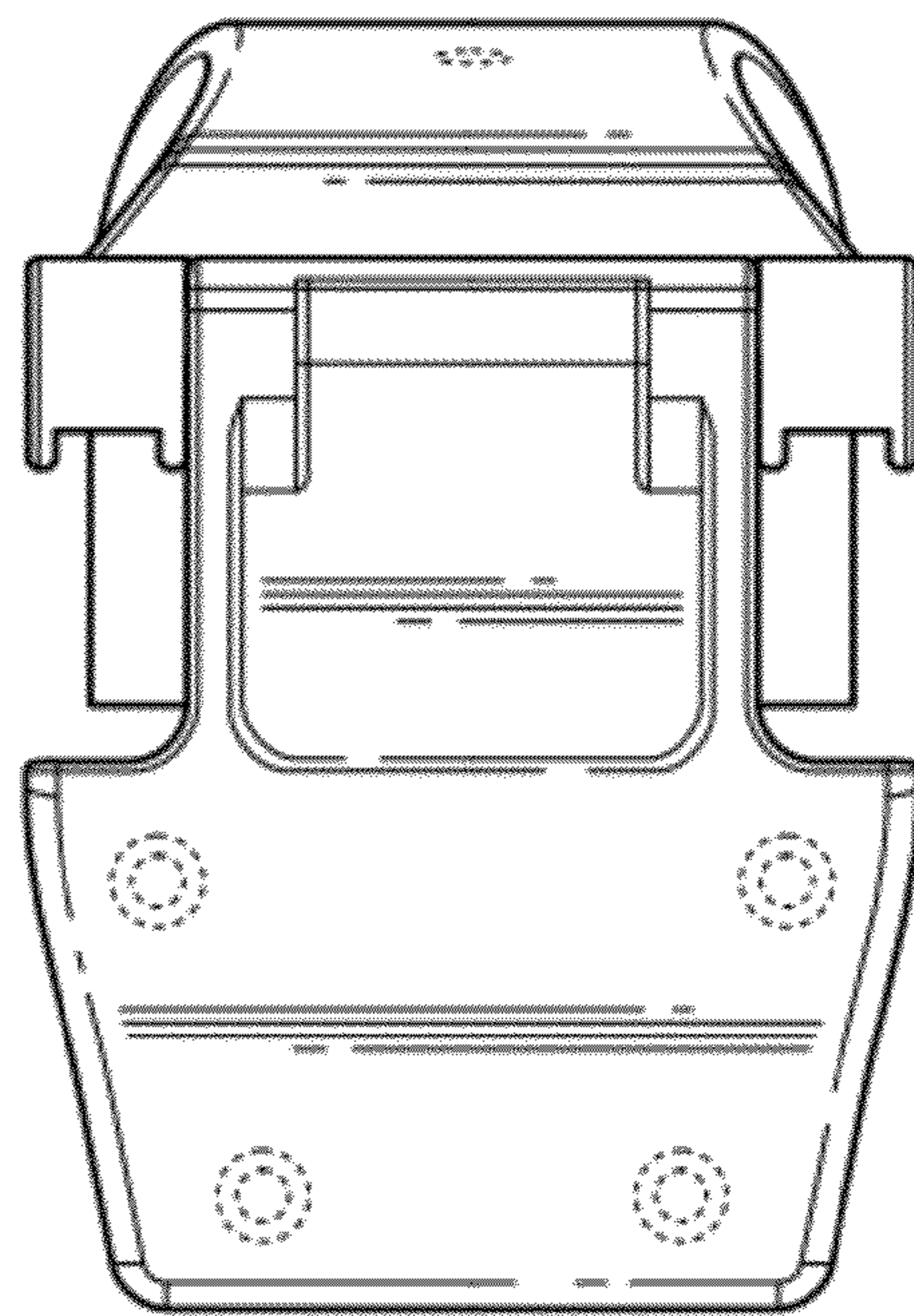


FIG. 3

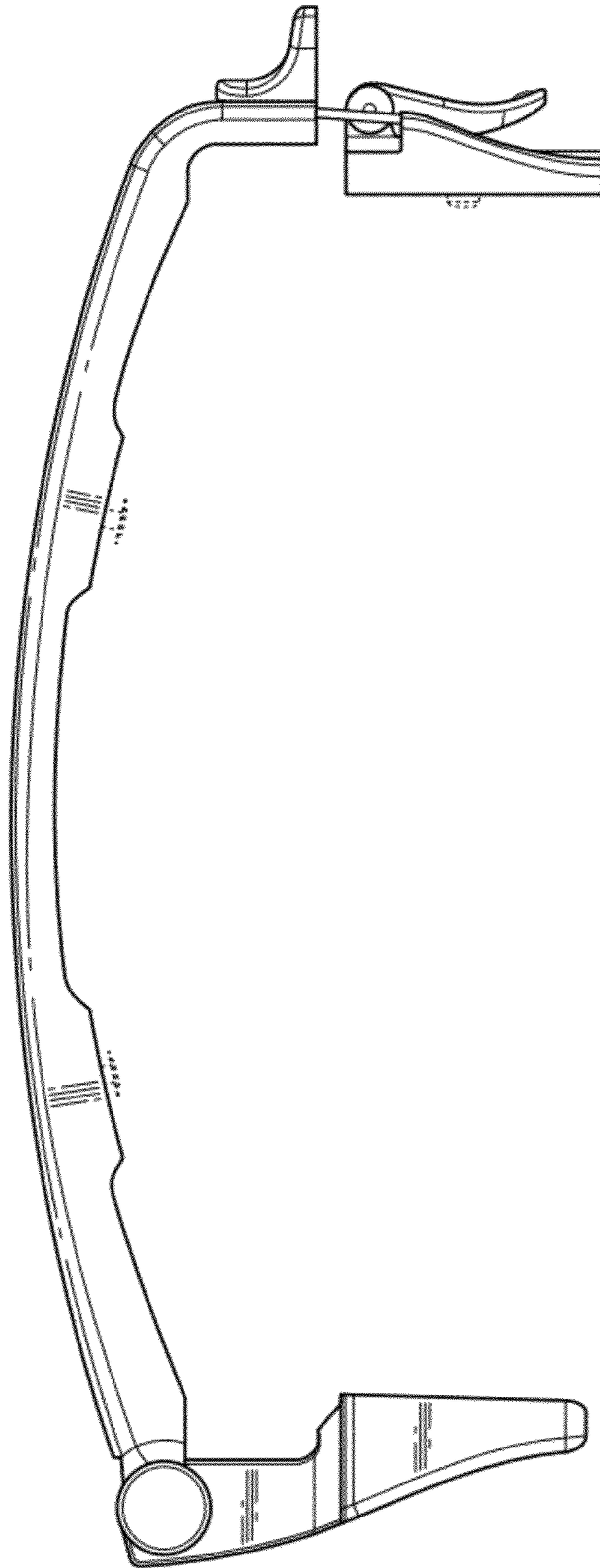


FIG. 4

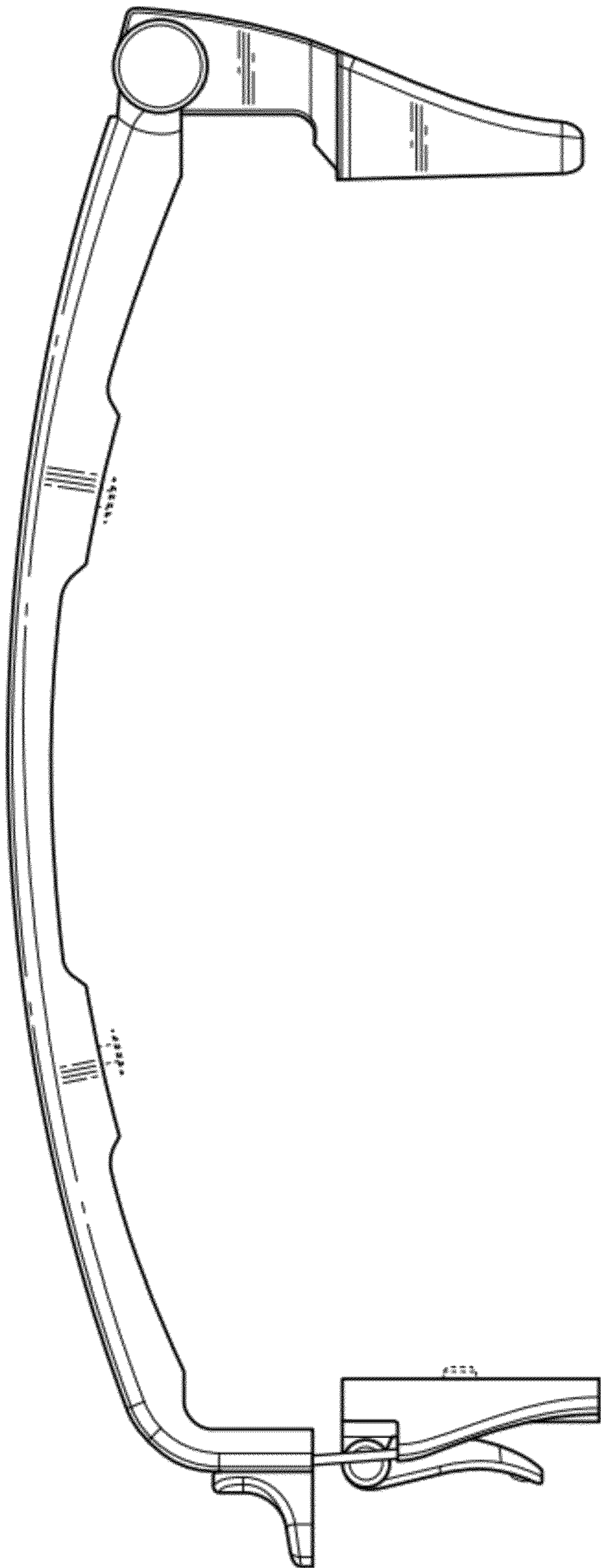


FIG. 5

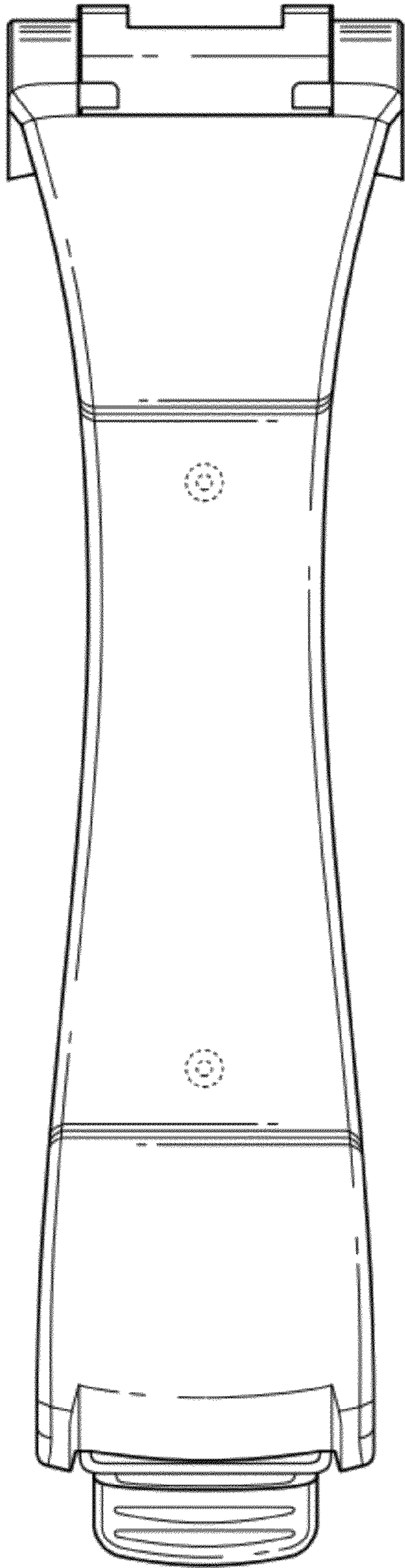


FIG. 6

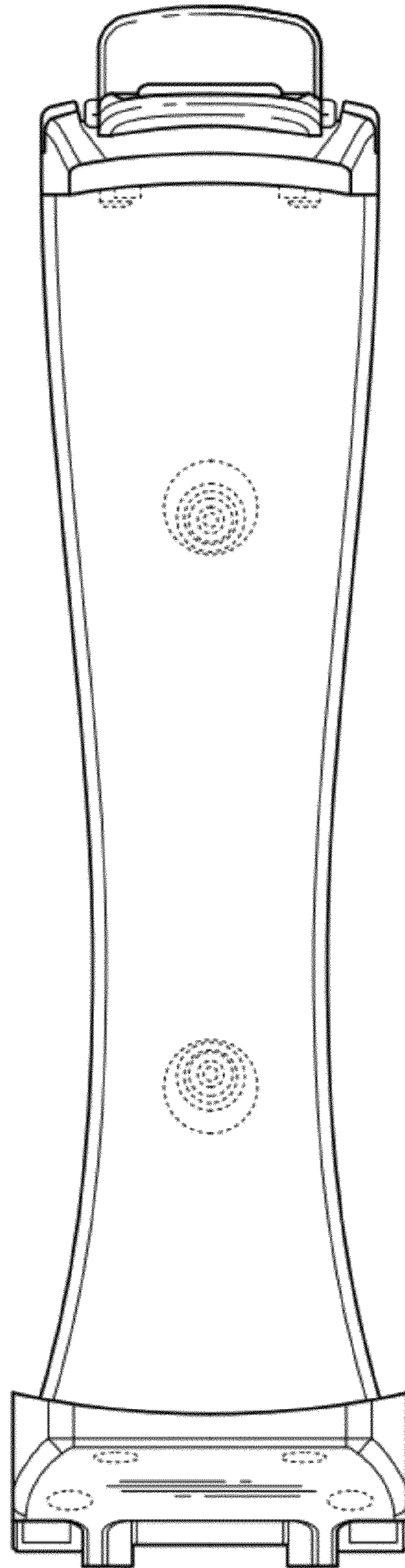


FIG. 7