



US00D657609S

(12) **United States Design Patent**
Lavy et al.

(10) **Patent No.:** **US D657,609 S**
(45) **Date of Patent:** **** Apr. 17, 2012**

(54) **COOKER**

(76) Inventors: **Danny Lavy**, Westmount (CA); **Shae Hong**, New York, NY (US)

(**) Term: **14 Years**

(21) Appl. No.: **29/401,520**

(22) Filed: **Sep. 12, 2011**

(51) **LOC (9) Cl.** **07-02**

(52) **U.S. Cl.** **D7/352; D7/362; D7/364**

(58) **Field of Classification Search** D7/323,
D7/328-332, 334-341, 347-348, 350.1, 351-364;
99/324-325, 331, 339-340, 349, 353, 358,
99/369, 372-377, 380-389, 392, 425, 444;
219/386, 524-525, 620-622, 732-734; 425/293,
425/346; 426/549

See application file for complete search history.

(56) **References Cited**

U.S. PATENT DOCUMENTS

D275,925 S *	10/1984	Bowen et al.	D7/357
D446,679 S *	8/2001	Lin	D7/352
D473,417 S *	4/2003	Martres	D7/352
D509,704 S *	9/2005	To	D7/352
D532,642 S *	11/2006	Wilgus	D7/337
D589,294 S *	3/2009	Averty	D7/356
D642,008 S *	7/2011	Lavy et al.	D7/352
D642,420 S *	8/2011	Lavy et al.	D7/352

D643,673 S *	8/2011	Lavy et al.	D7/352
D643,676 S *	8/2011	Lavy et al.	D7/364
D643,677 S *	8/2011	Lavy et al.	D7/364

* cited by examiner

Primary Examiner — Ricky Pham

(74) *Attorney, Agent, or Firm* — Husch Blackwell LLP

(57) **CLAIM**

The ornamental designs for a cooker, substantially as shown and described.

DESCRIPTION

FIG. 1 is a perspective view of a cooker in accordance with the present invention;
FIG. 2 is a perspective view of the cooker shown in FIG. 1 in an open position;
FIG. 3 is a top view of the cooker shown in FIG. 1;
FIG. 4 is a rear view of the cooker shown in FIG. 1;
FIG. 5 is a front view of the cooker shown in FIG. 1;
FIG. 6 is a right side view of the cooker shown in FIG. 1;
FIG. 7 is a left side view of the cooker shown in FIG. 1;
FIG. 8 is a top view of the cooker shown in FIG. 1 in an open position; and,
FIG. 9 is a front view of the cooker shown in FIG. 1 in an open position.

The bottom view of the cooker has not been shown as it is not a part of the design. The broken lines shown in the drawings are for illustrative purposes only and form no part of the claimed design.

1 Claim, 6 Drawing Sheets

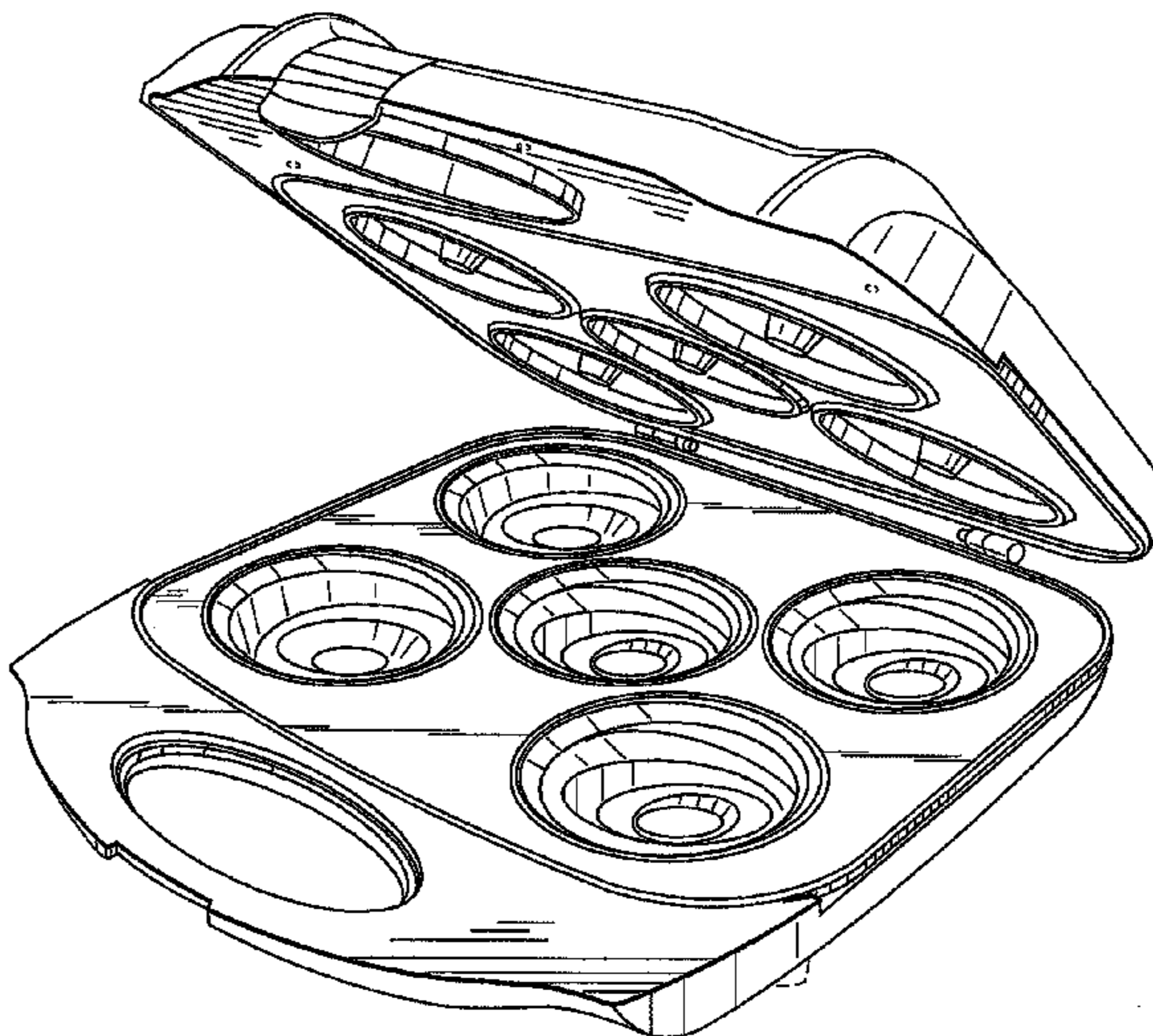
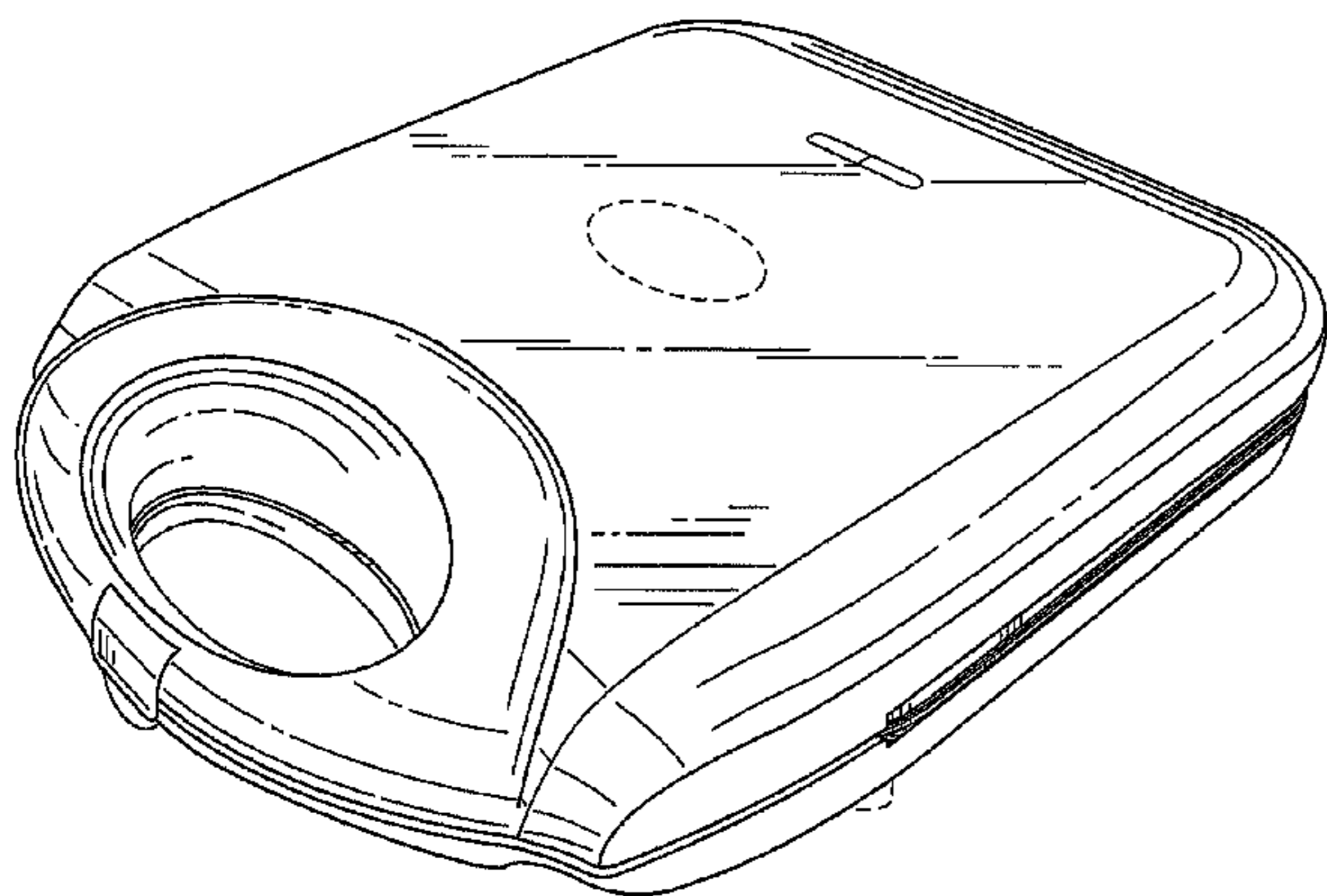


FIG. 1

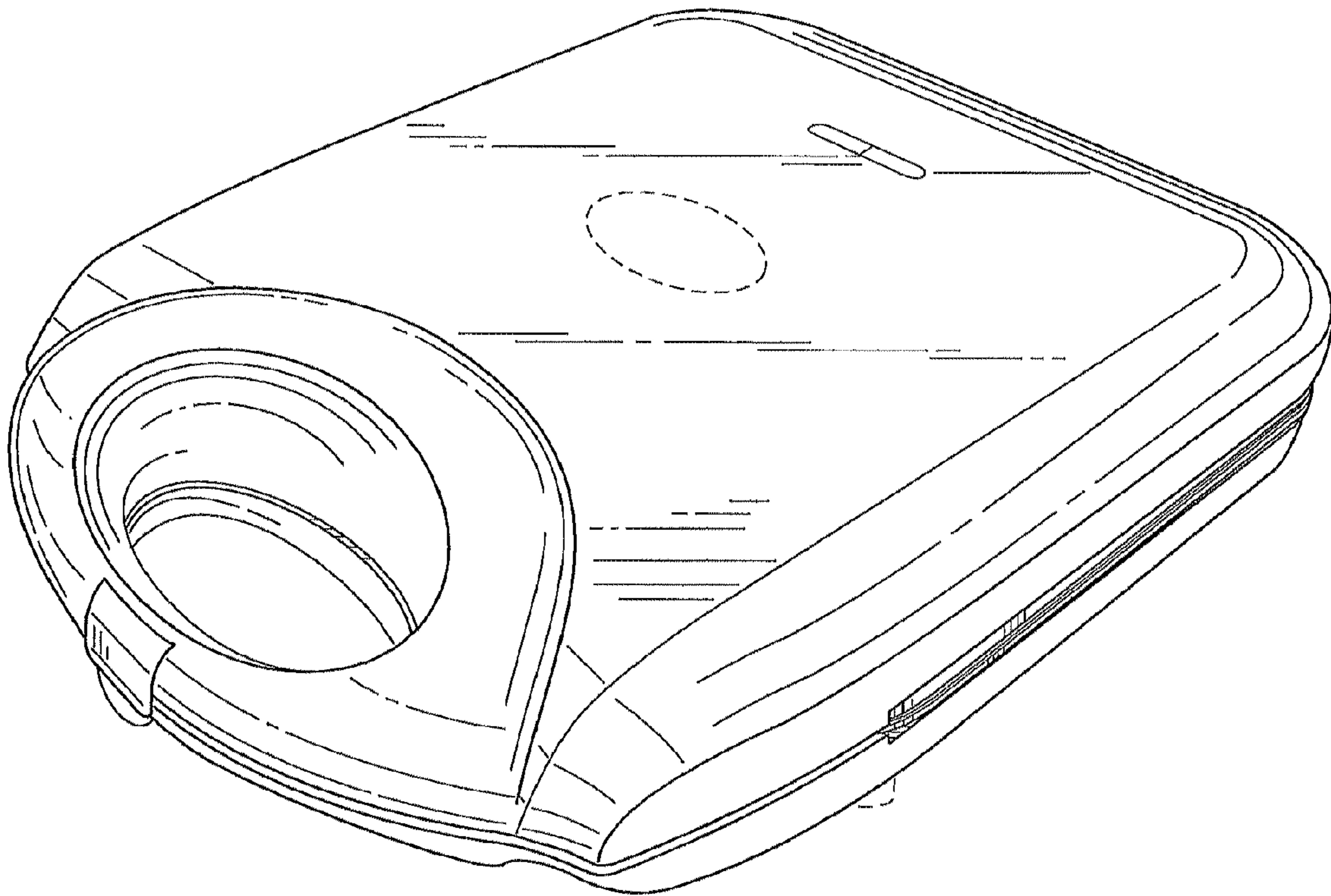


FIG. 2

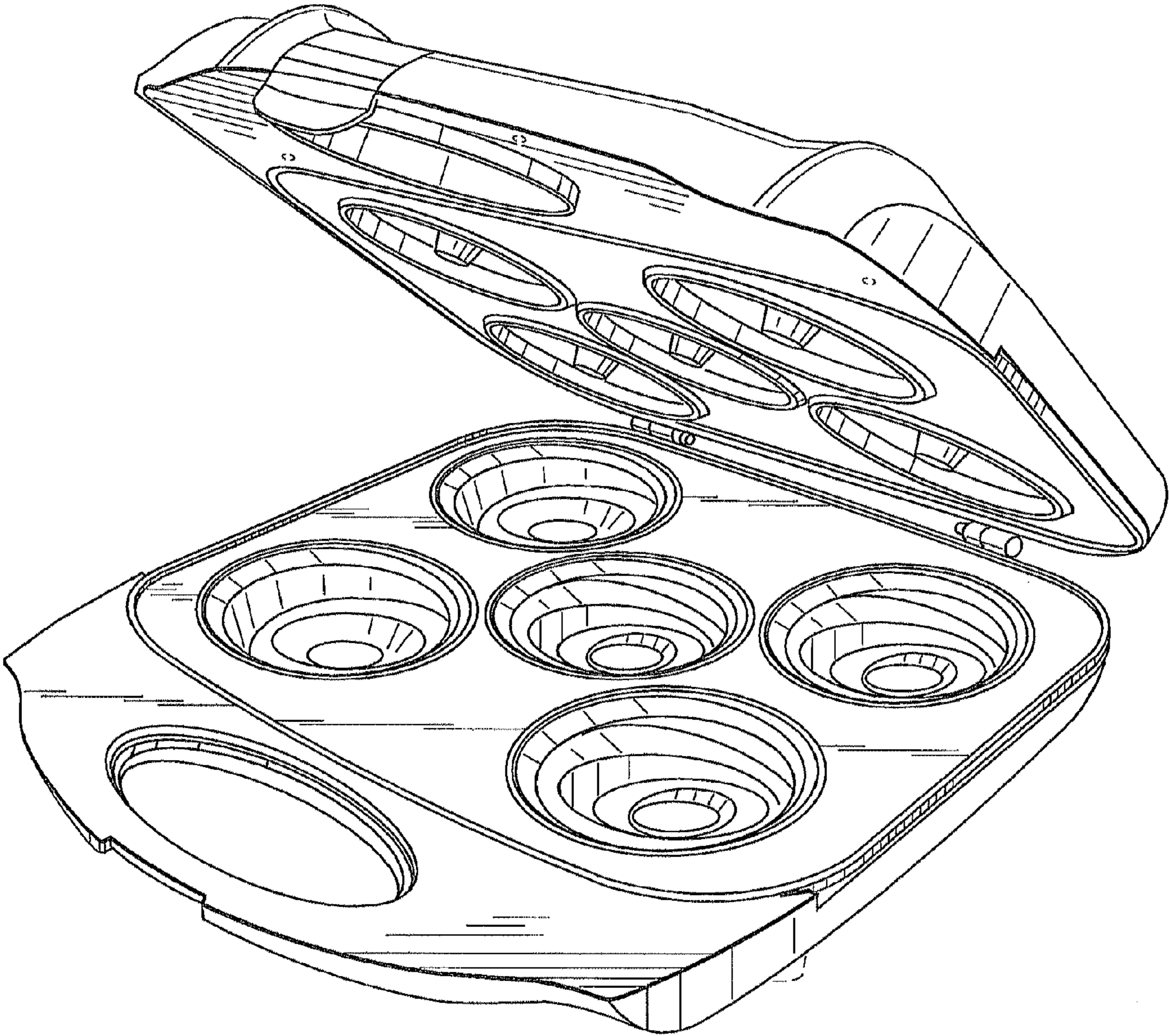


FIG. 3

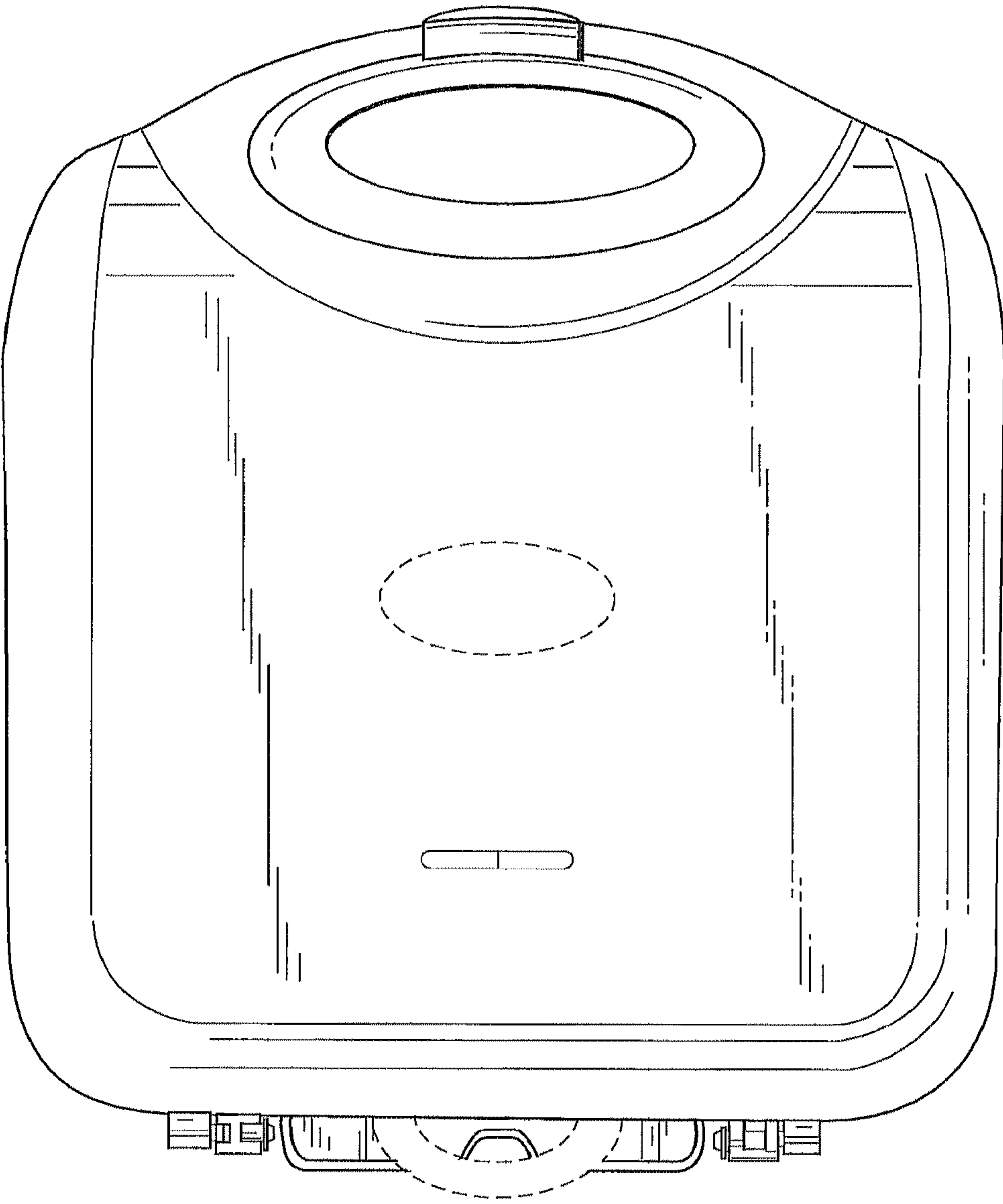


FIG. 4

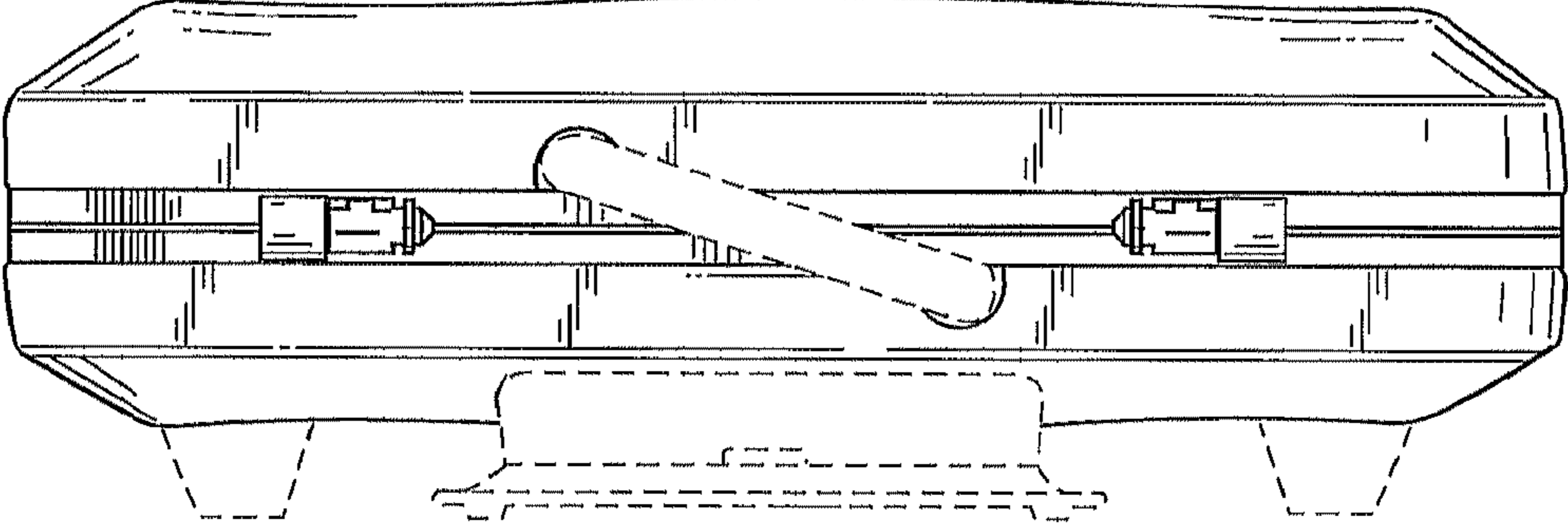


FIG. 5

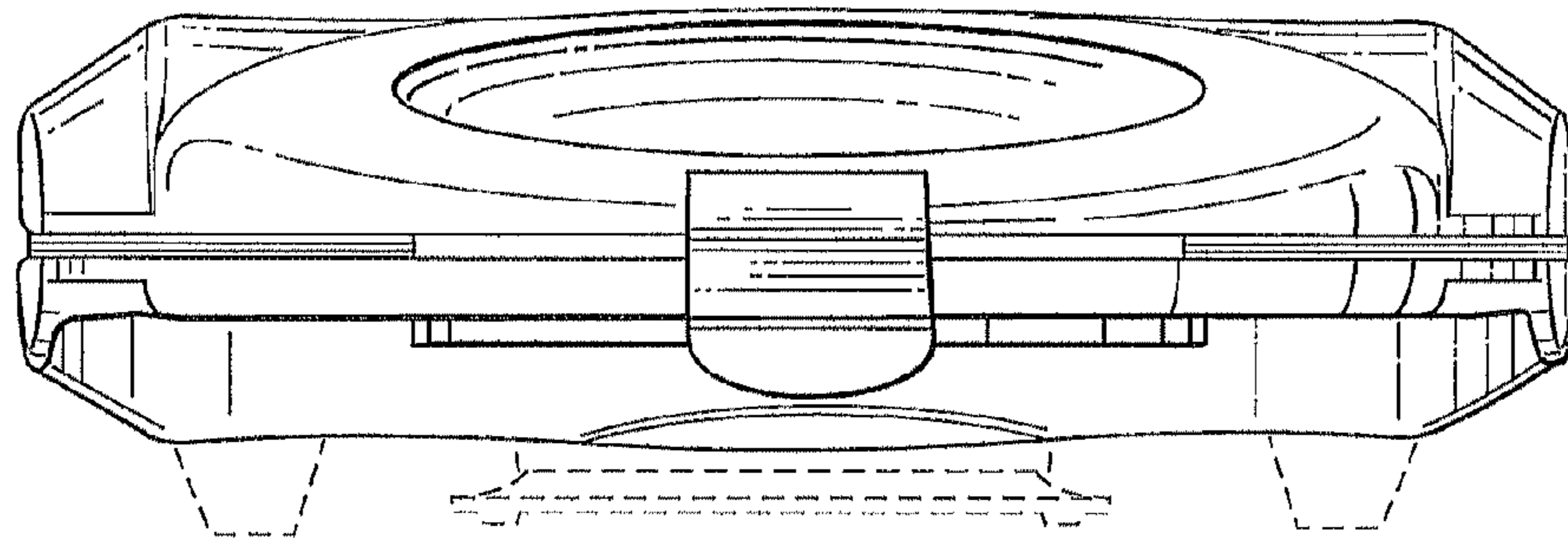


FIG. 6

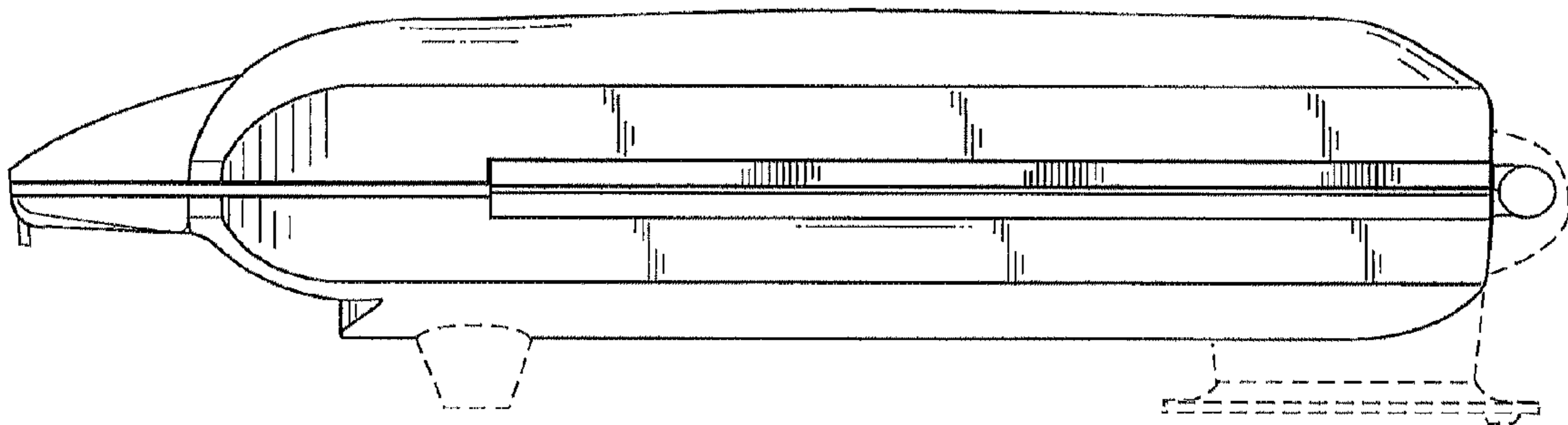


FIG. 7

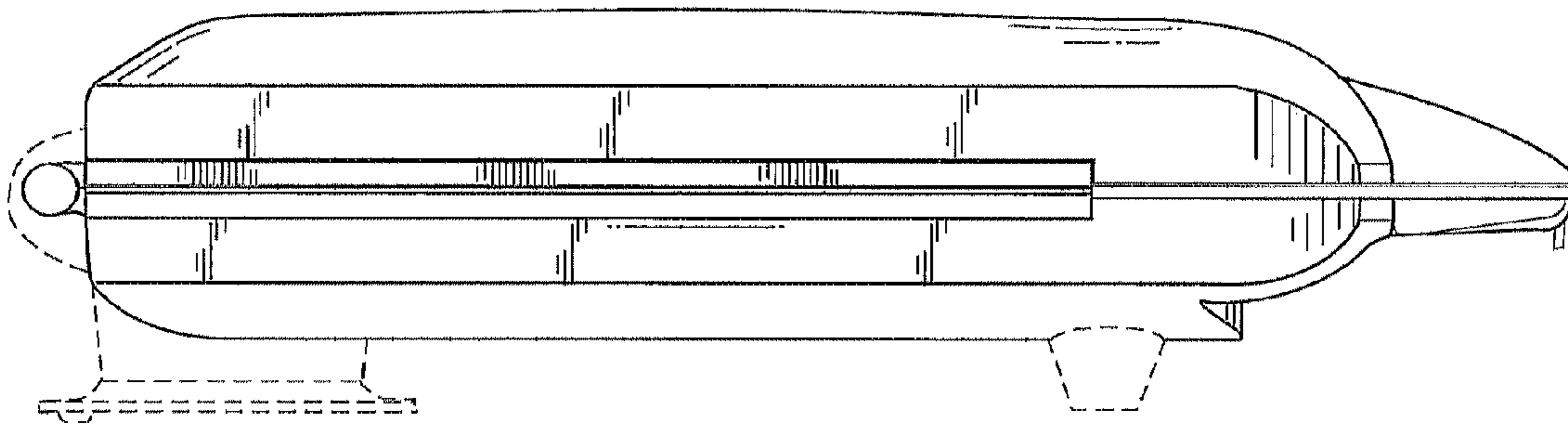


FIG. 8

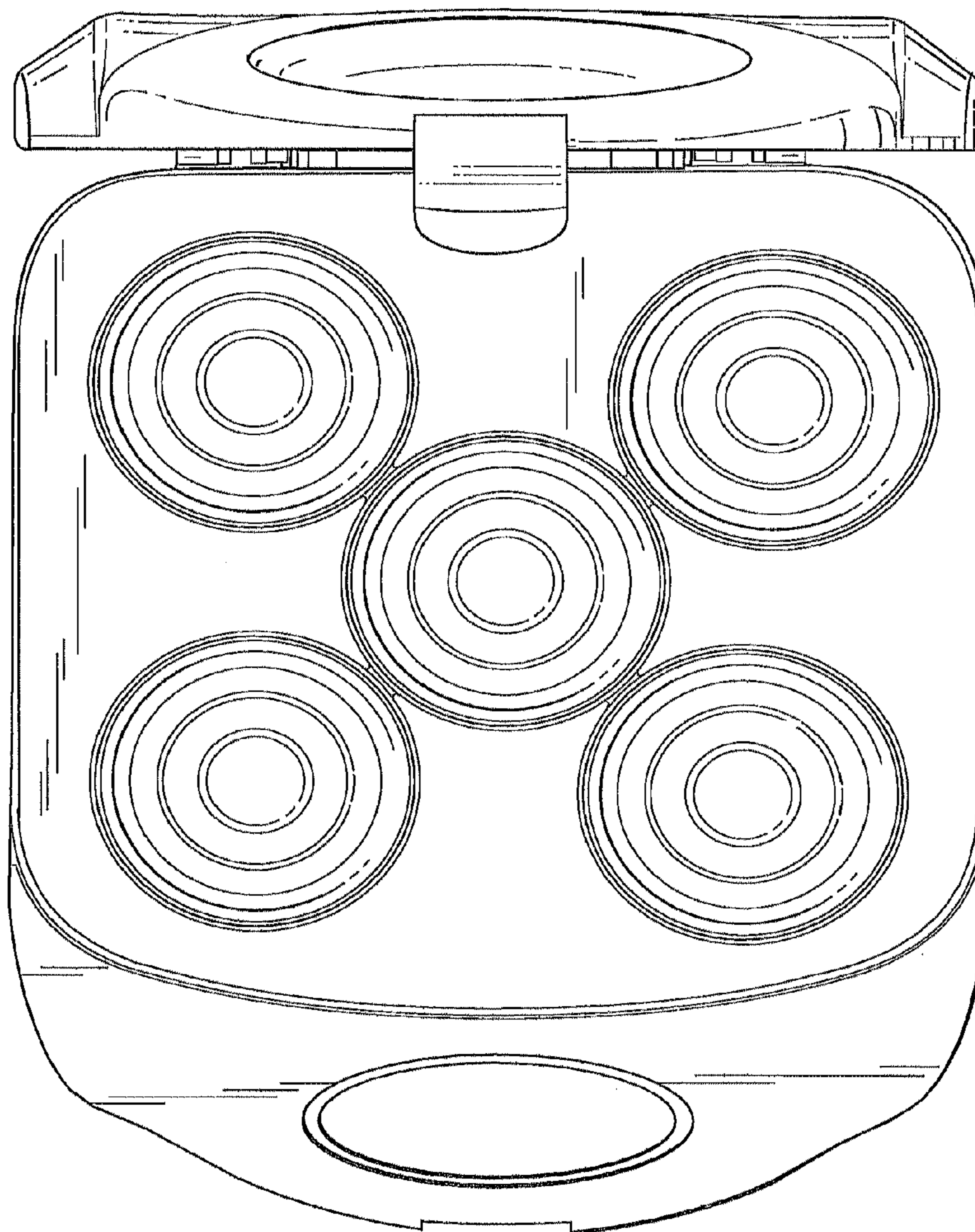


FIG. 9

