



US00D657608S

(12) **United States Design Patent**
Lavy et al.

(10) **Patent No.:** **US D657,608 S**

(45) **Date of Patent:** **** Apr. 17, 2012**

(54) **COOKER**

(76) Inventors: **Danny Lavy**, Westmount (CA); **Shae Hong**, New York, NY (US)

(**) Term: **14 Years**

(21) Appl. No.: **29/401,515**

(22) Filed: **Sep. 12, 2011**

(51) **LOC (9) Cl.** **07-02**

(52) **U.S. Cl.** **D7/352; D7/362; D7/364**

(58) **Field of Classification Search** D7/323,
D7/328-332, 334-341, 347-348, 350.1, 351-364;
99/324-325, 331, 339-340, 349, 353, 358,
99/369, 372-377, 380-389, 392, 425, 444;
219/386, 524-525, 620-622, 732-734; 425/293,
425/346; 426/549

See application file for complete search history.

(56) **References Cited**

U.S. PATENT DOCUMENTS

| | | | | |
|--------------|---------|--------------|-------|--------|
| D275,925 S * | 10/1984 | Bowen et al. | | D7/357 |
| D446,679 S * | 8/2001 | Lin | | D7/352 |
| D473,417 S * | 4/2003 | Martres | | D7/352 |
| D509,704 S * | 9/2005 | To | | D7/352 |
| D532,642 S * | 11/2006 | Wilgus | | D7/337 |
| D589,294 S * | 3/2009 | Averty | | D7/356 |
| D642,008 S * | 7/2011 | Lavy et al. | | D7/352 |
| D642,420 S * | 8/2011 | Lavy et al. | | D7/352 |

| | | | | |
|--------------|--------|-------------|-------|--------|
| D643,673 S * | 8/2011 | Lavy et al. | | D7/352 |
| D643,676 S * | 8/2011 | Lavy et al. | | D7/364 |
| D643,677 S * | 8/2011 | Lavy et al. | | D7/364 |

* cited by examiner

Primary Examiner — Ricky Pham

(74) *Attorney, Agent, or Firm* — Husch Blackwell LLP

(57) **CLAIM**

The ornamental designs for a cooker, substantially as shown and described.

DESCRIPTION

FIG. 1 is a perspective view of a cooker in accordance with the present invention;
FIG. 2 is a perspective view of the cooker shown in FIG. 1 in an open position;
FIG. 3 is a top view of the cooker shown in FIG. 1;
FIG. 4 is a rear view of the cooker shown in FIG. 1;
FIG. 5 is a front view of the cooker shown in FIG. 1;
FIG. 6 is a right side view of the cooker shown in FIG. 1;
FIG. 7 is a left side view of the cooker shown in FIG. 1;
FIG. 8 is a top view of the cooker shown in FIG. 1 in an open position; and,
FIG. 9 is a front view of the cooker shown in FIG. 1 in an open position.

The bottom view of the cooker has not been shown as it is not a part of the design. The broken lines shown in the drawings are for illustrative purposes only and form no part of the claimed design.

1 Claim, 6 Drawing Sheets

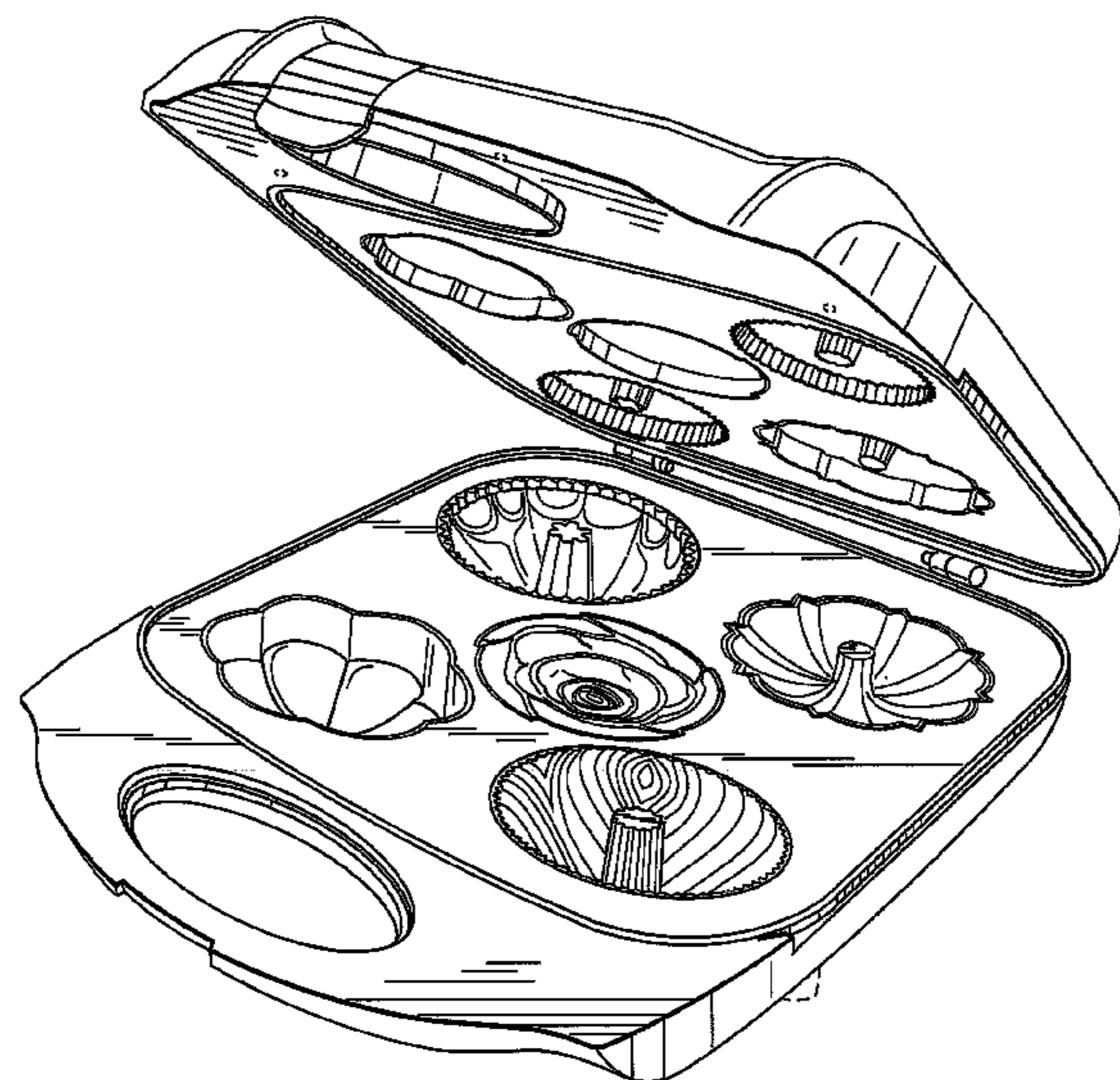
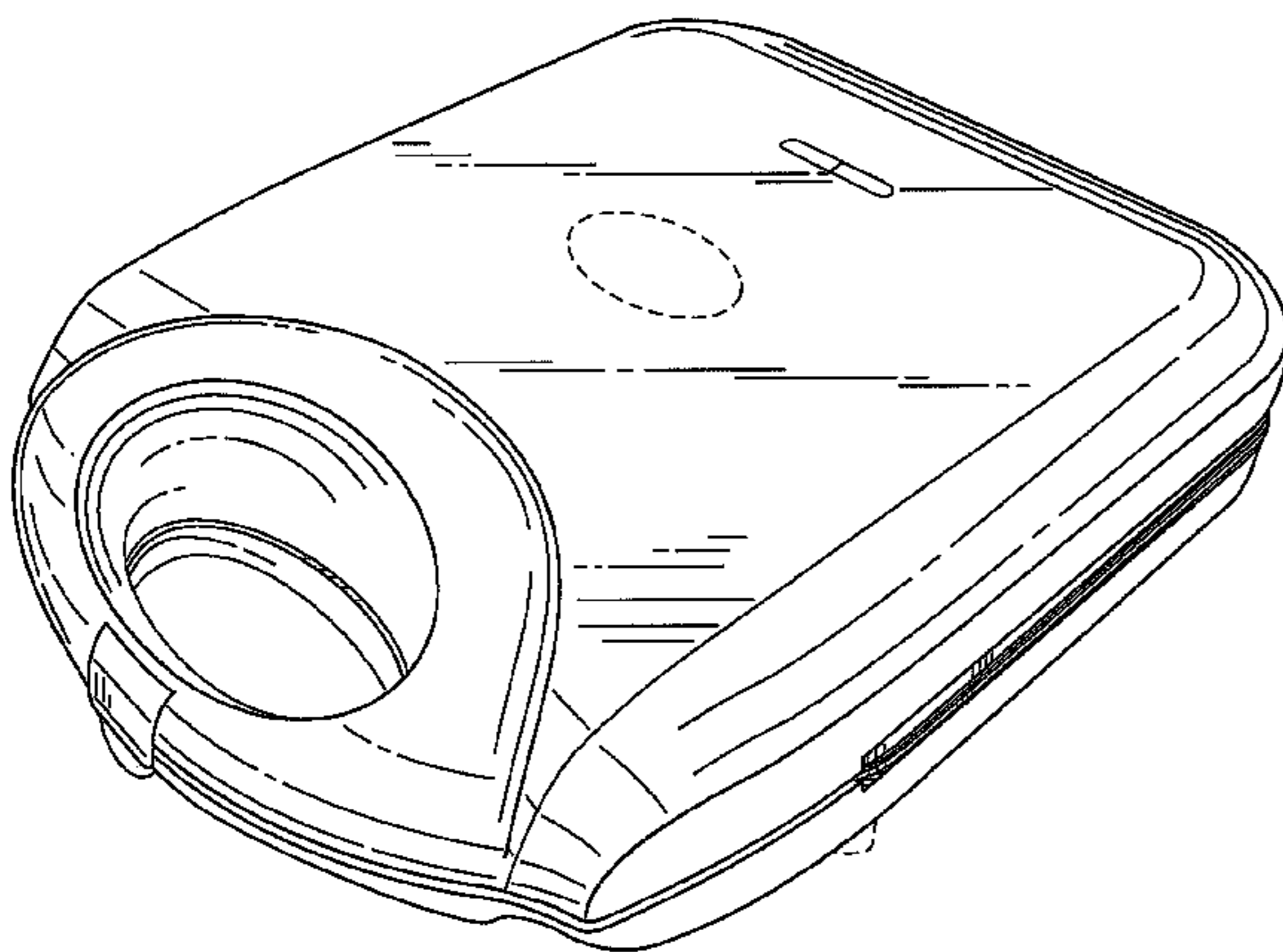


FIG. 1

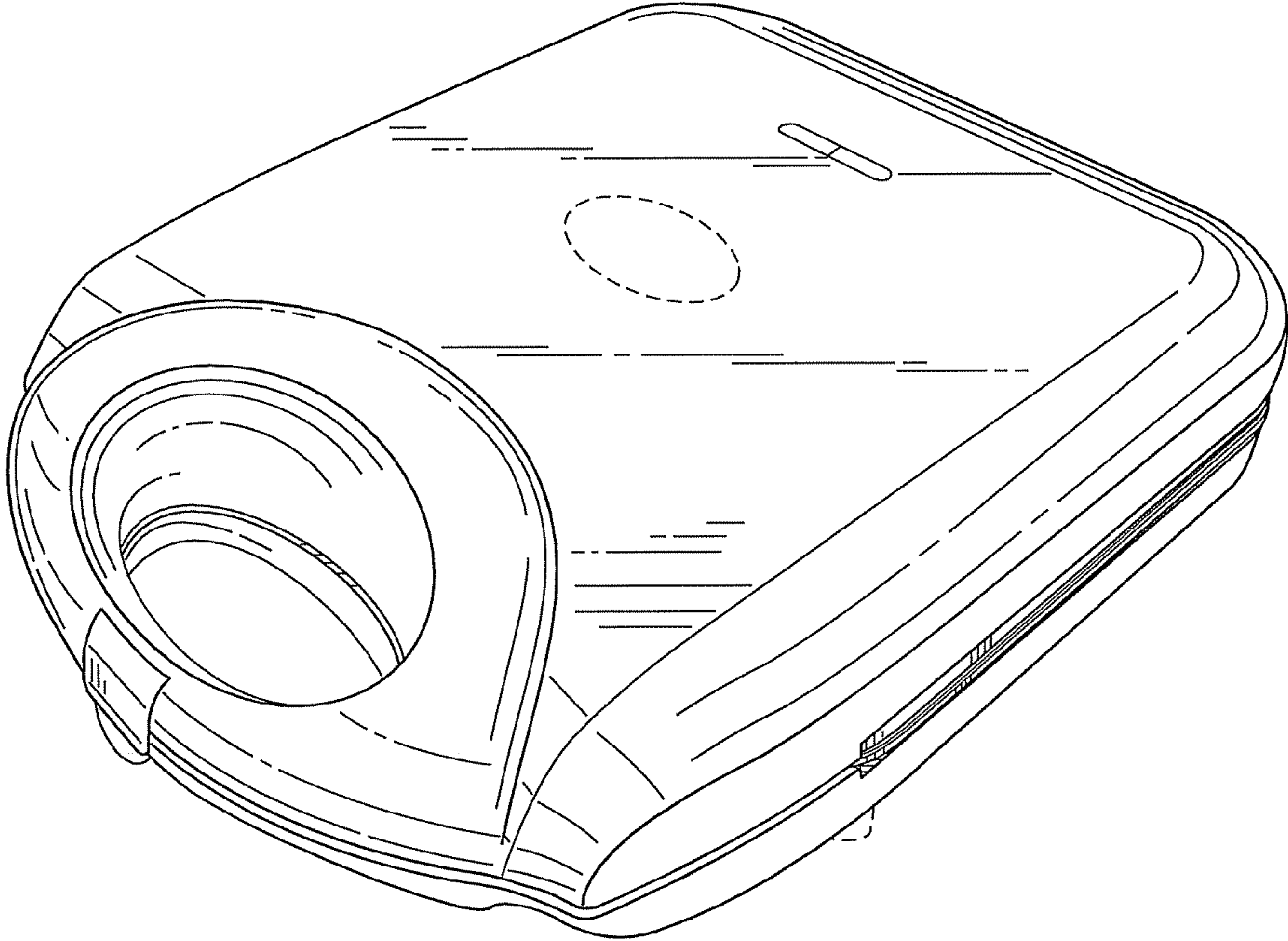


FIG. 2

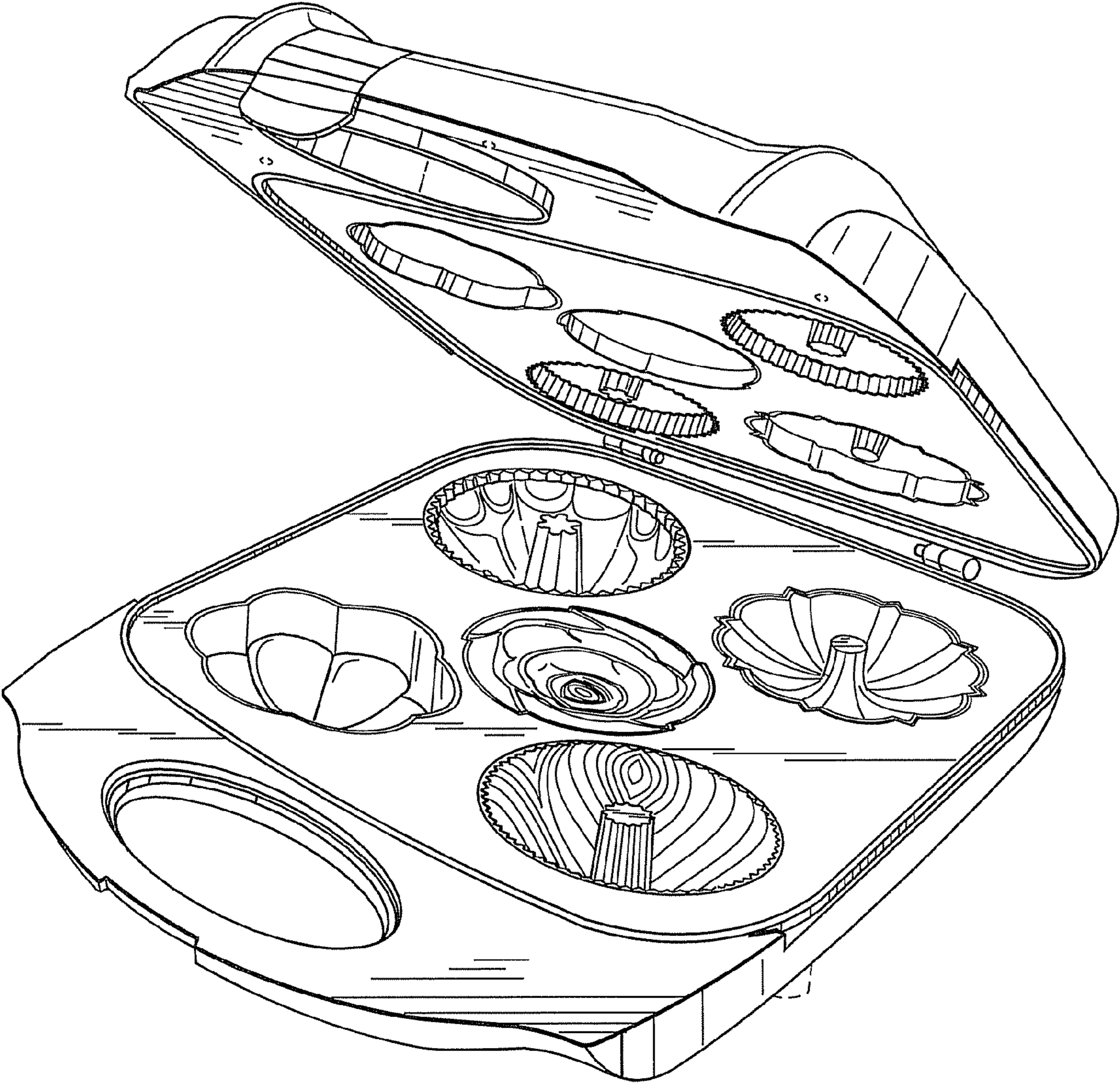


FIG. 3

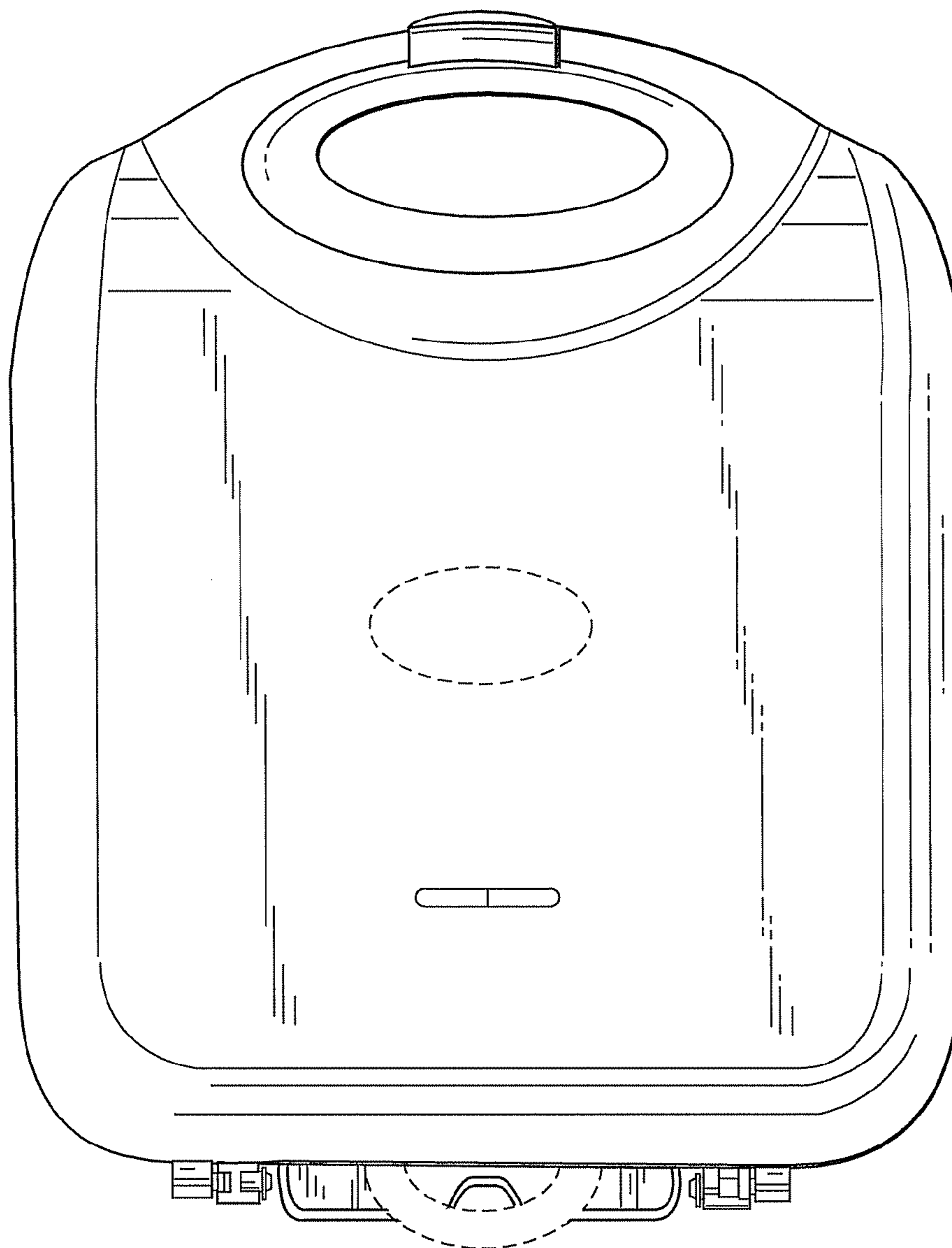


FIG. 4

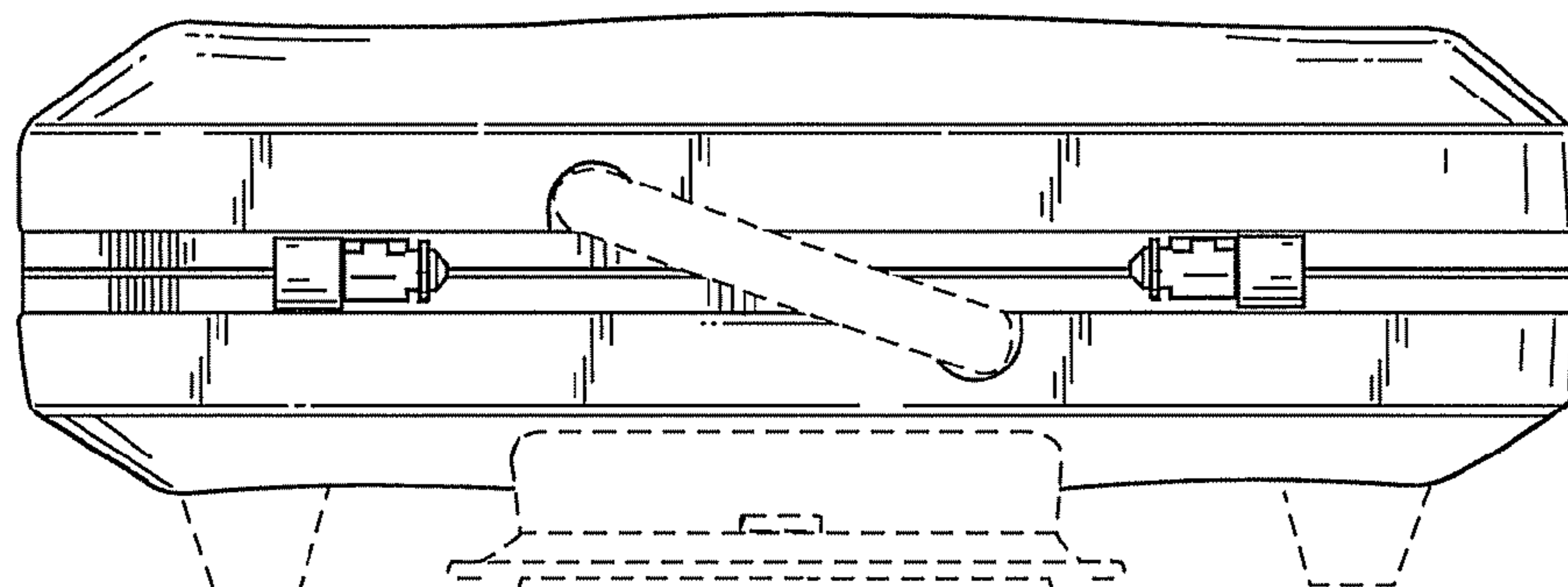


FIG. 5

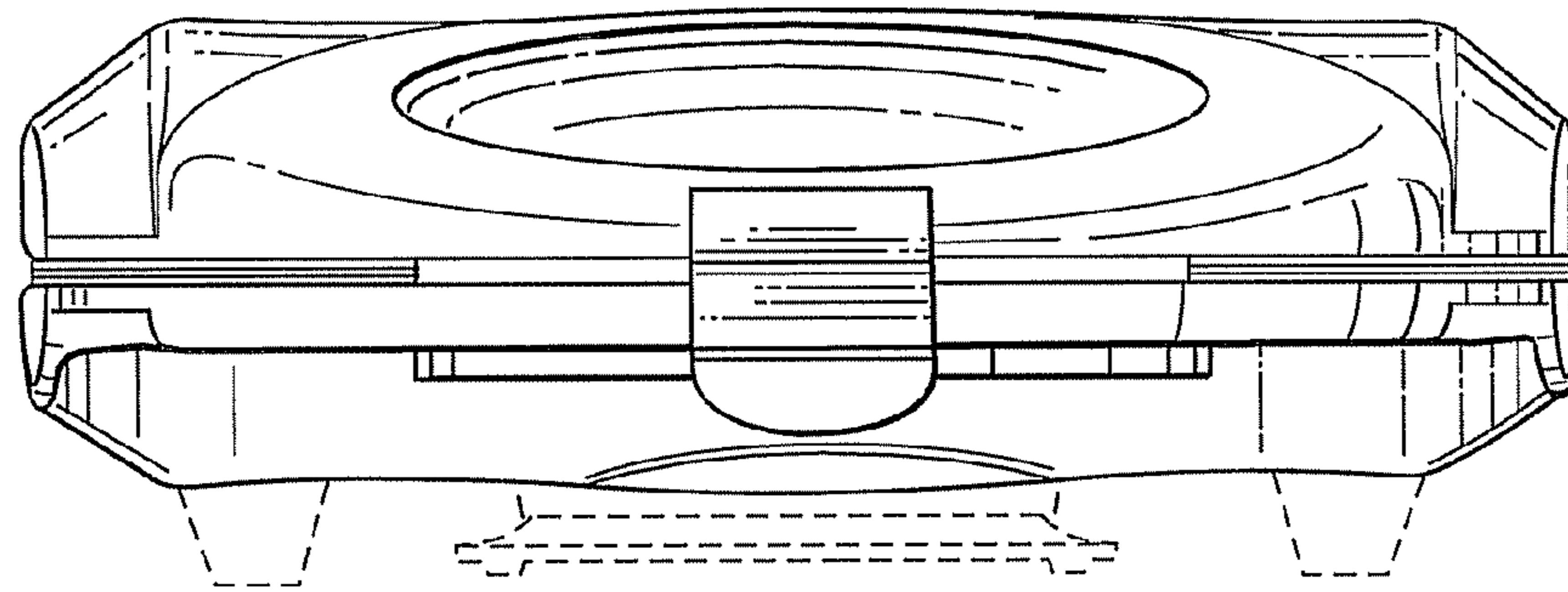


FIG. 6

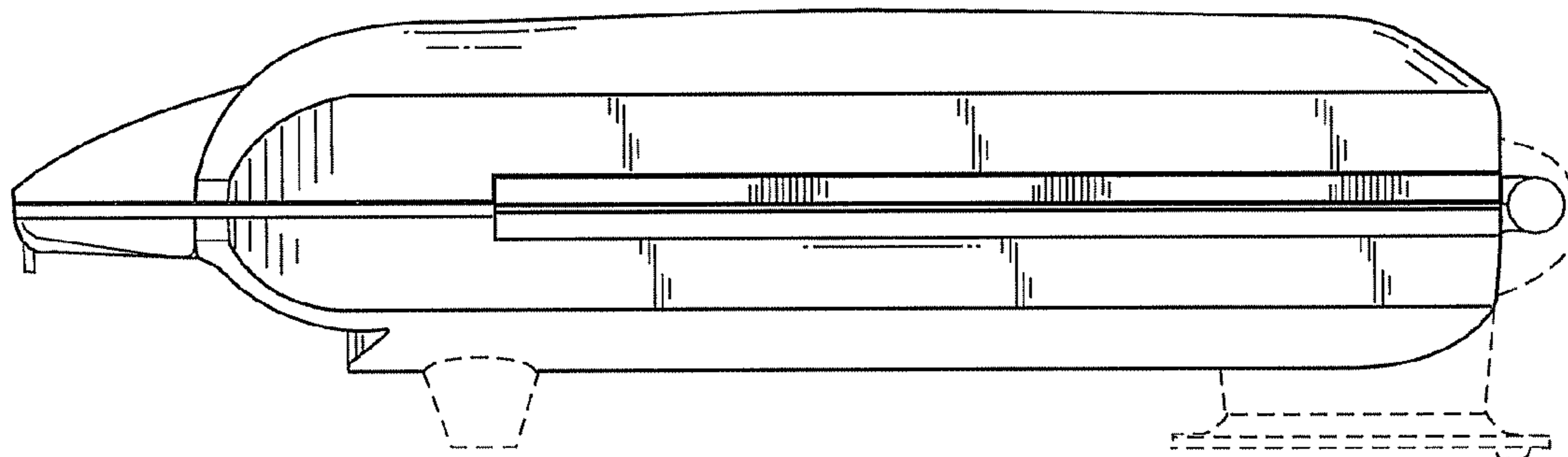


FIG. 7

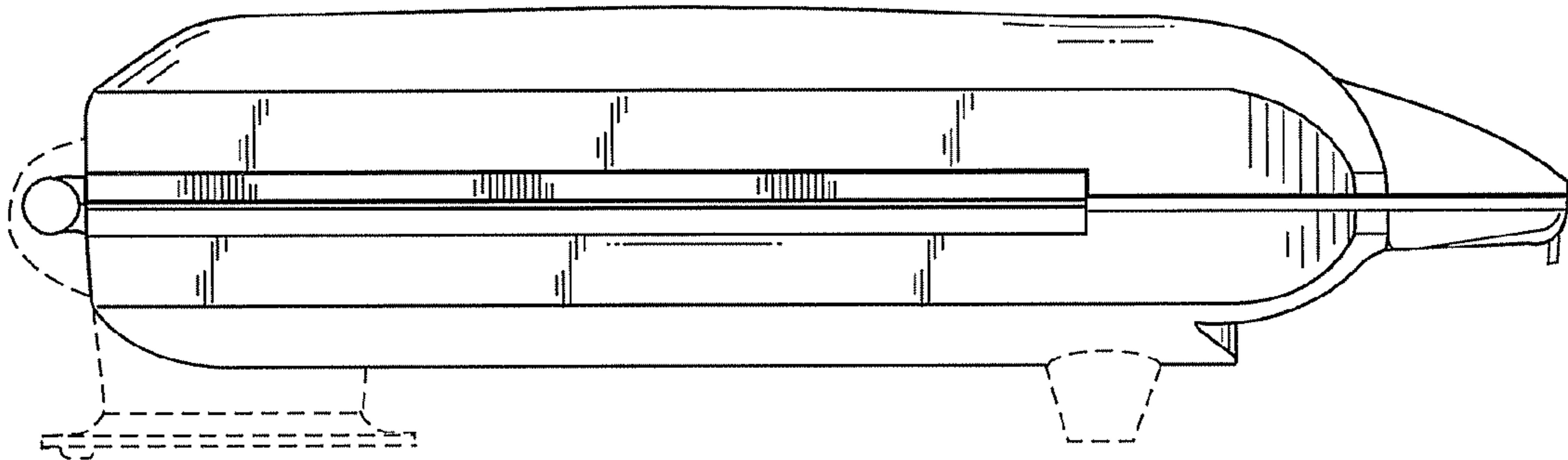


FIG. 8

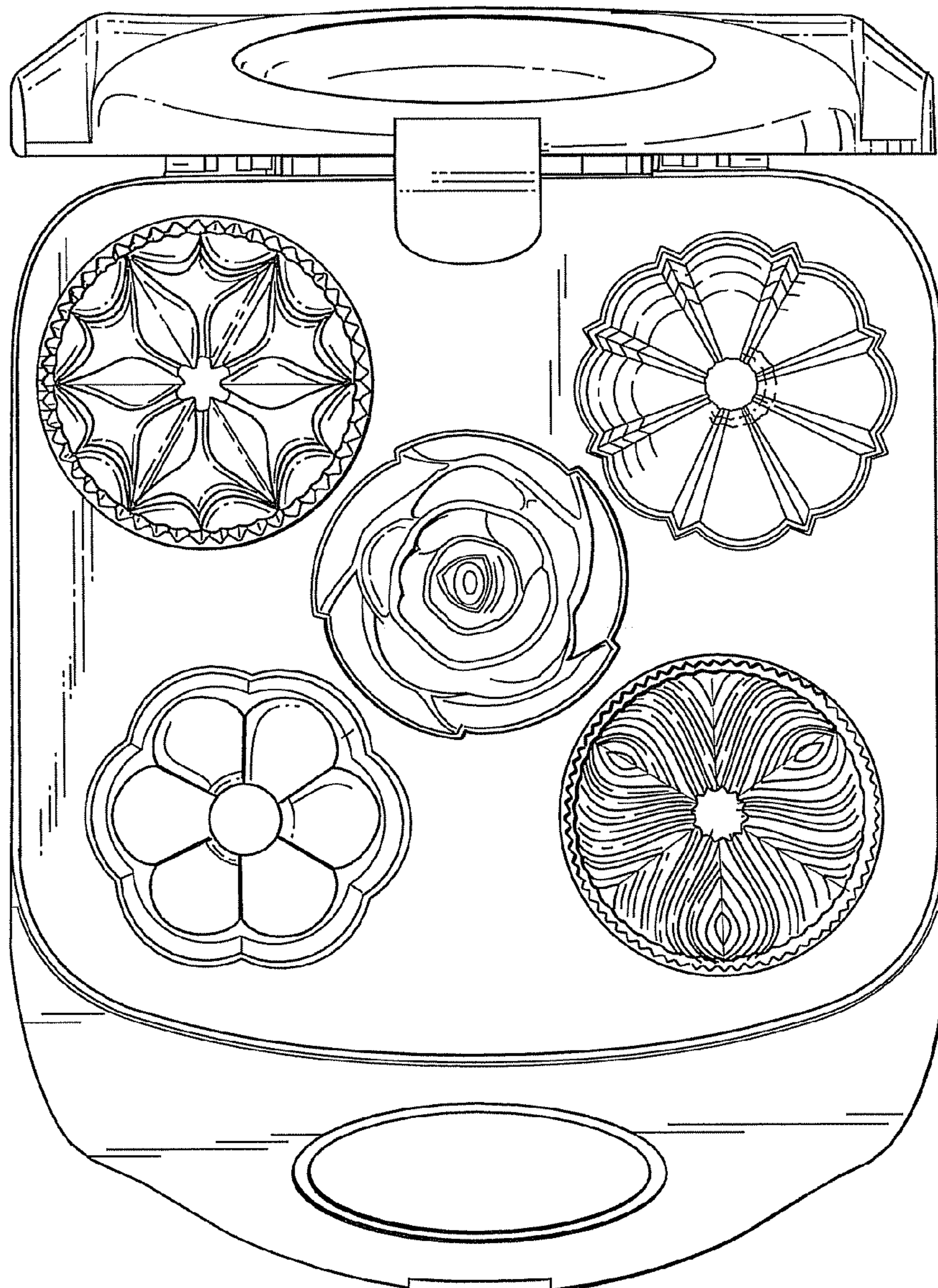


FIG. 9

