



US00D657607S

(12) **United States Design Patent**
Ohmae et al.

(10) **Patent No.:** **US D657,607 S**
(45) **Date of Patent:** **** Apr. 17, 2012**

(54) **MICROWAVE OVEN**
(75) Inventors: **Ken Ohmae**, Shiga (JP); **Muneyuki Nagai**, Nara (JP); **Haruka Ohno**, Kyoto (JP)
(73) Assignee: **Panasonic Corporation**, Osaka (JP)
(**) Term: **14 Years**

D531,447 S * 11/2006 Lee et al. D7/350.4
D532,645 S * 11/2006 Lee D7/351
D545,611 S * 7/2007 Sakata D7/351
D561,529 S 2/2008 Suh et al.
D577,246 S * 9/2008 Kikumoto D7/351
D579,270 S * 10/2008 Green et al. D7/405
D583,614 S * 12/2008 Chung et al. D7/351
D599,163 S * 9/2009 Oomae D7/351
D632,125 S * 2/2011 Kim et al. D7/351
D633,326 S * 3/2011 Shin et al. D7/351

* cited by examiner

(21) Appl. No.: **29/392,419**

Primary Examiner — Ruth McInroy

(22) Filed: **May 20, 2011**

(74) *Attorney, Agent, or Firm* — Brinks Hofer Gilson & Lione

(51) **LOC (9) Cl.** **07-02**

(52) **U.S. Cl.** **D7/351**

(58) **Field of Classification Search** D7/350.1,
D7/350.3, 350.4, 351, 402, 403, 405, 406;
219/756, 757, 758, 391; 126/19 M, 21 A,
126/275 E; 99/352

See application file for complete search history.

(57) **CLAIM**

We claim the ornamental design for a microwave oven, as shown and described.

DESCRIPTION

FIG. 1 is a front perspective view of a microwave oven of the present invention;
FIG. 2 is a front view thereof;
FIG. 3 is a rear view thereof;
FIG. 4 is a first side view thereof;
FIG. 5 is a second side view thereof;
FIG. 6 is a top view thereof; and,
FIG. 7 is a bottom view thereof.

(56) **References Cited**

U.S. PATENT DOCUMENTS

D437,179 S * 2/2001 Ozaki et al. D7/351
D455,931 S 4/2002 Mimura et al.
D476,521 S * 7/2003 Fukuda et al. D7/351
D478,465 S * 8/2003 Kanza D7/351
D522,801 S * 6/2006 Lee D7/351

1 Claim, 4 Drawing Sheets

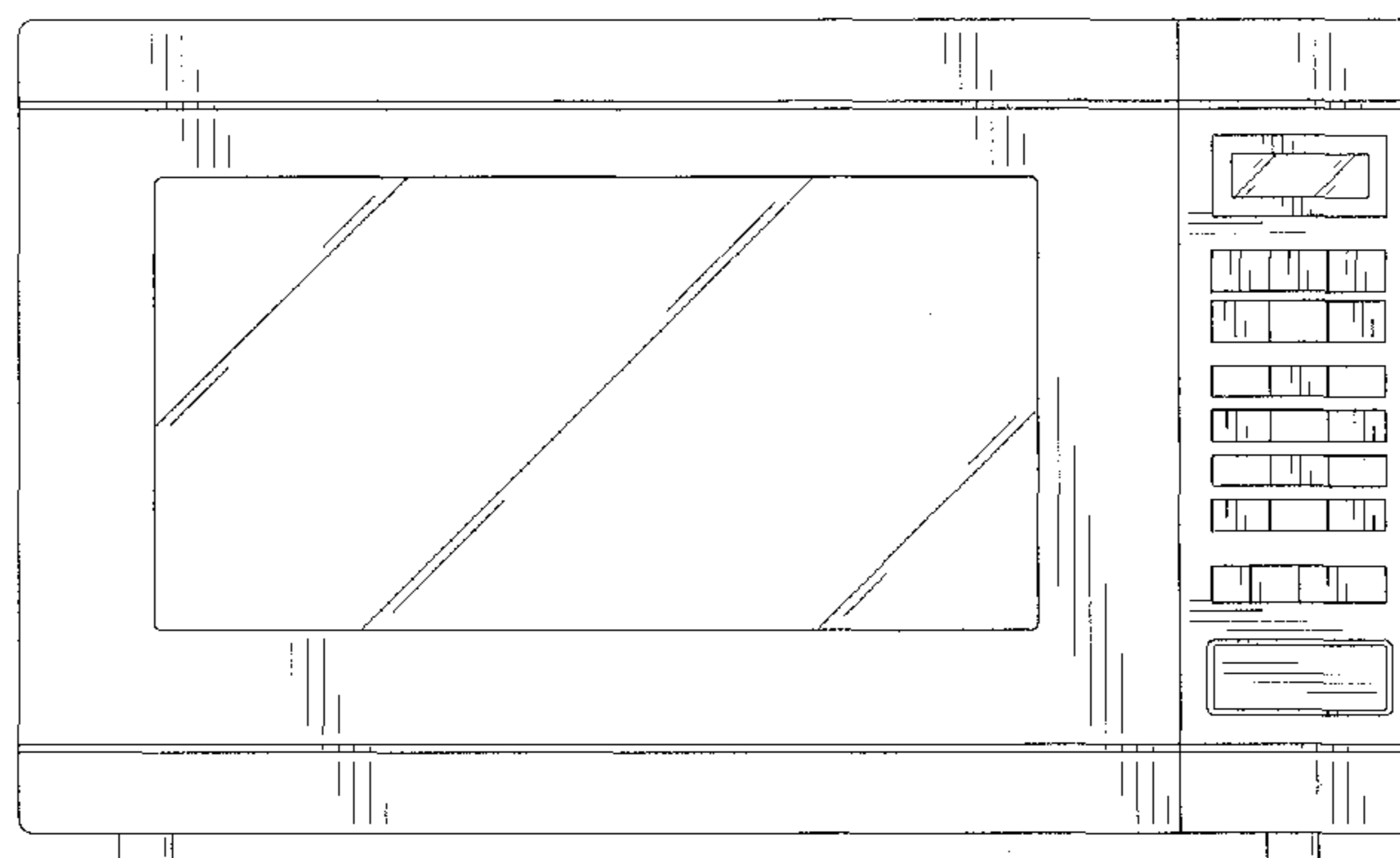
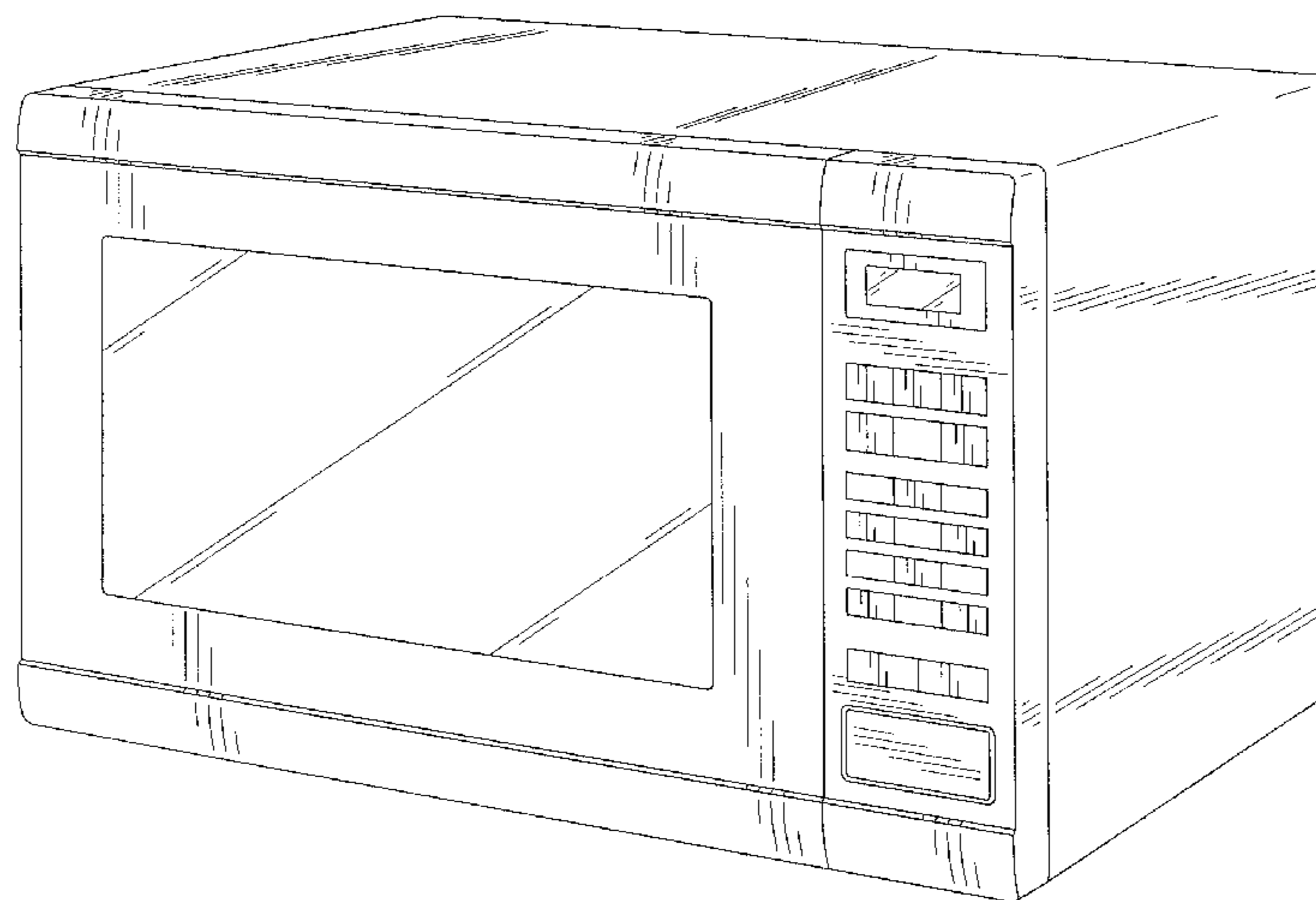


FIG. 1

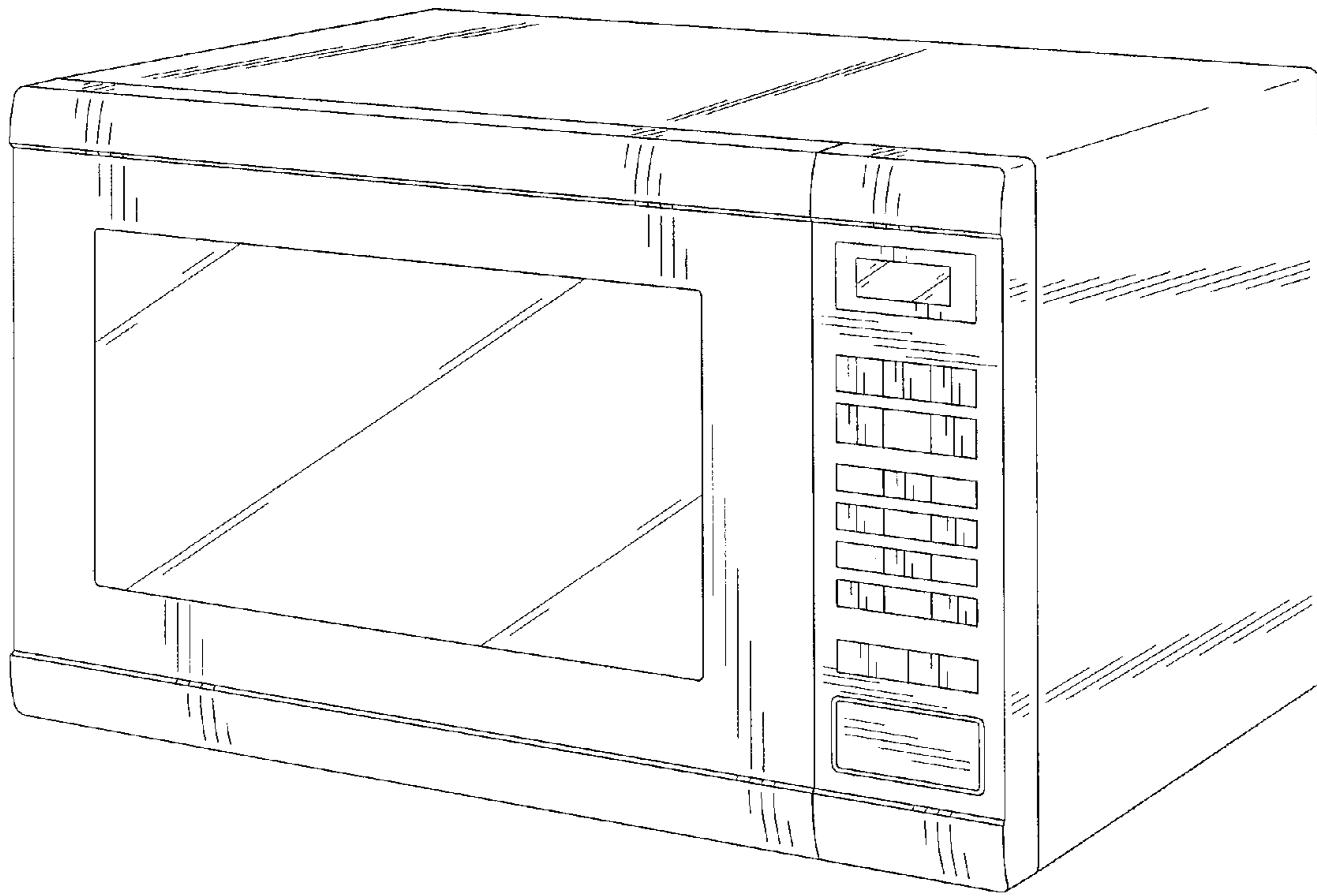


FIG.2

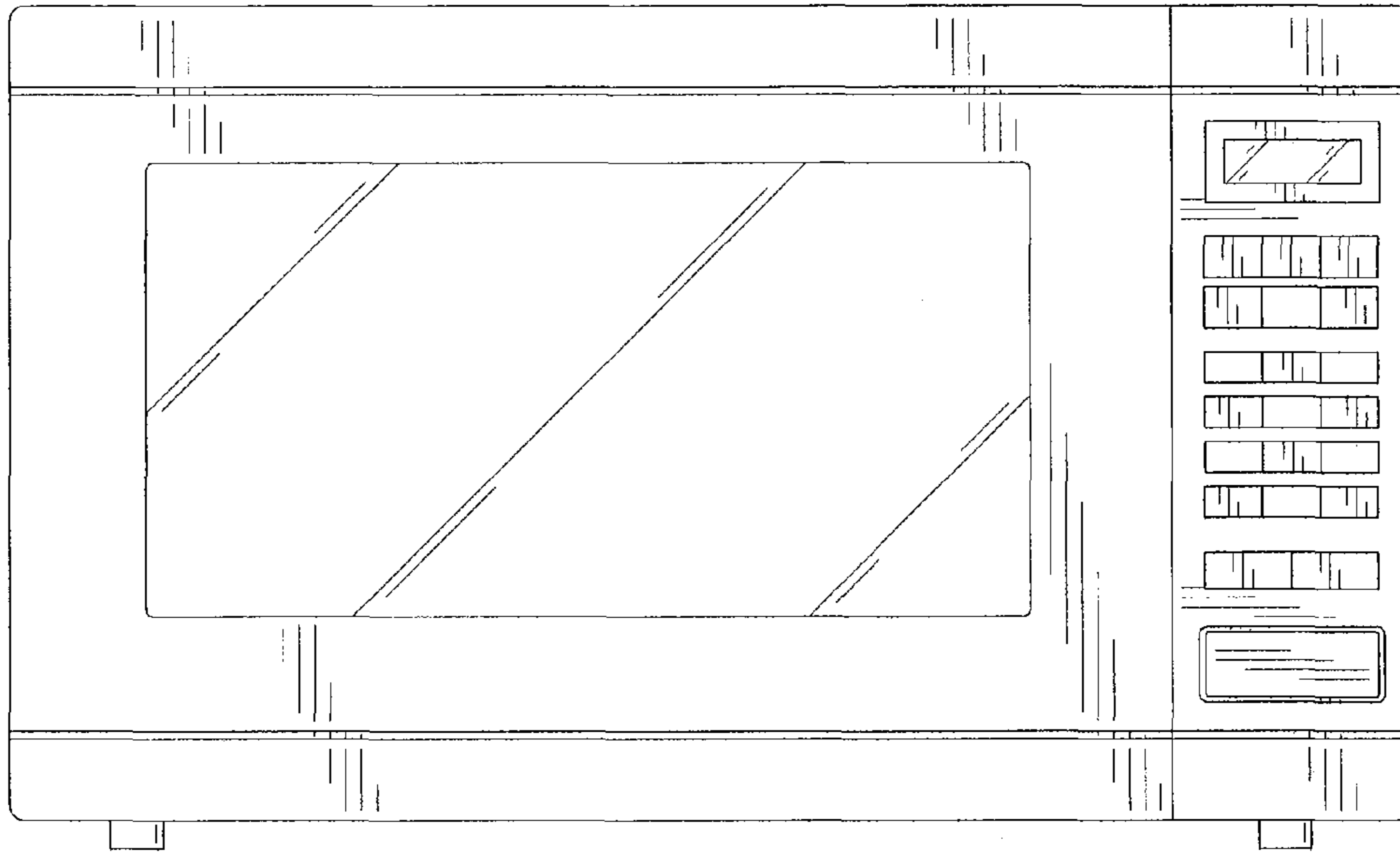


FIG.3

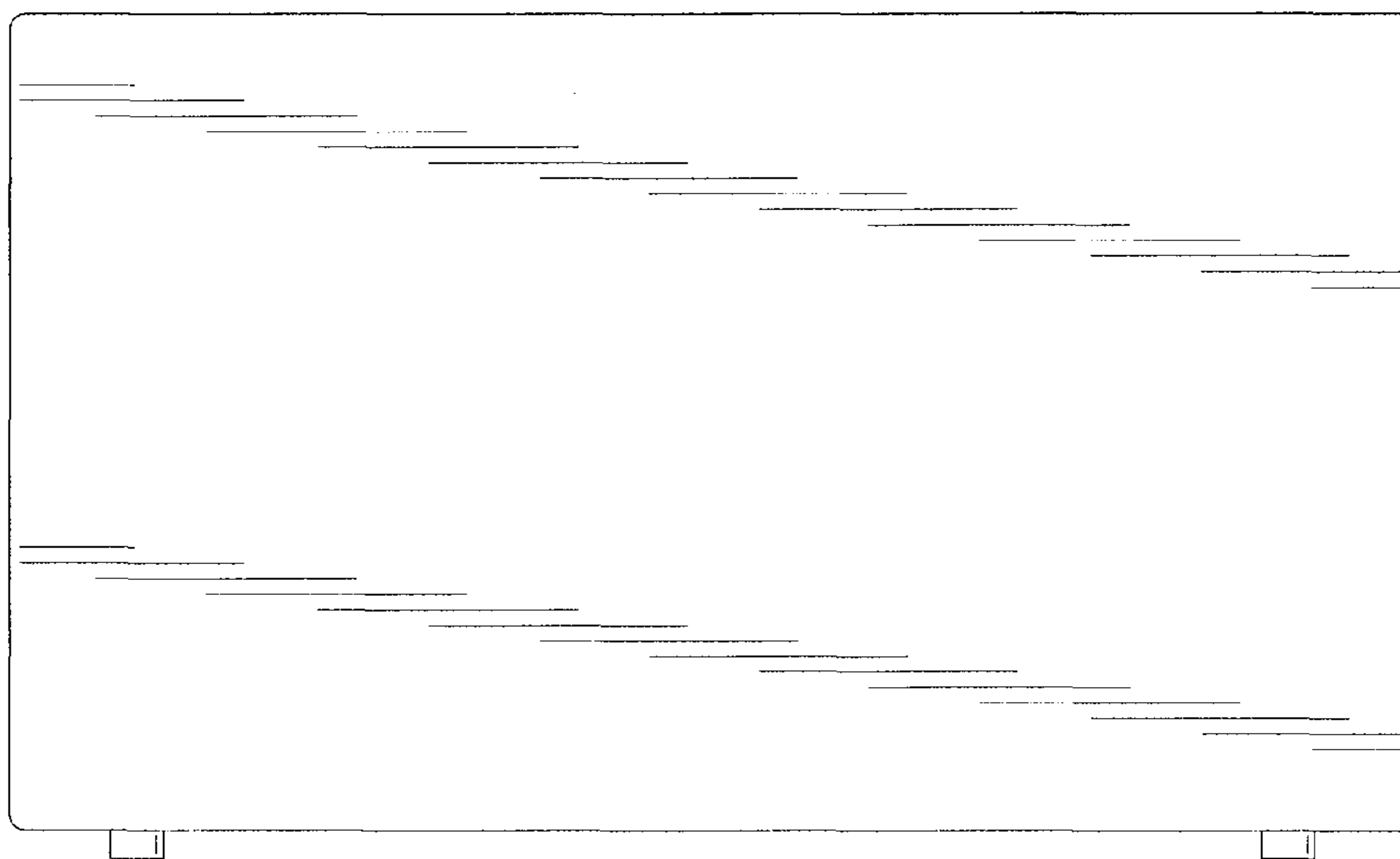


FIG.4

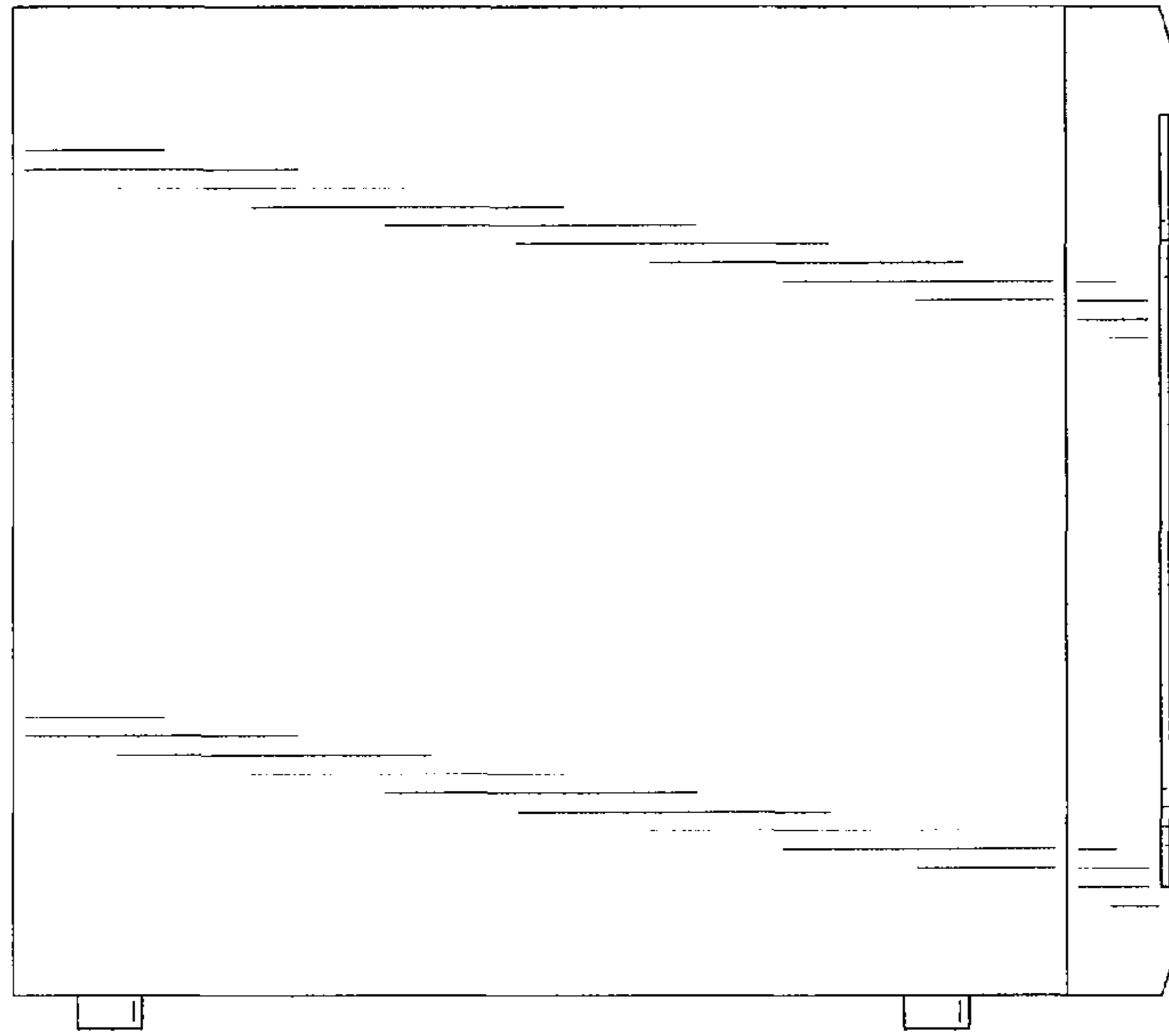


FIG.5

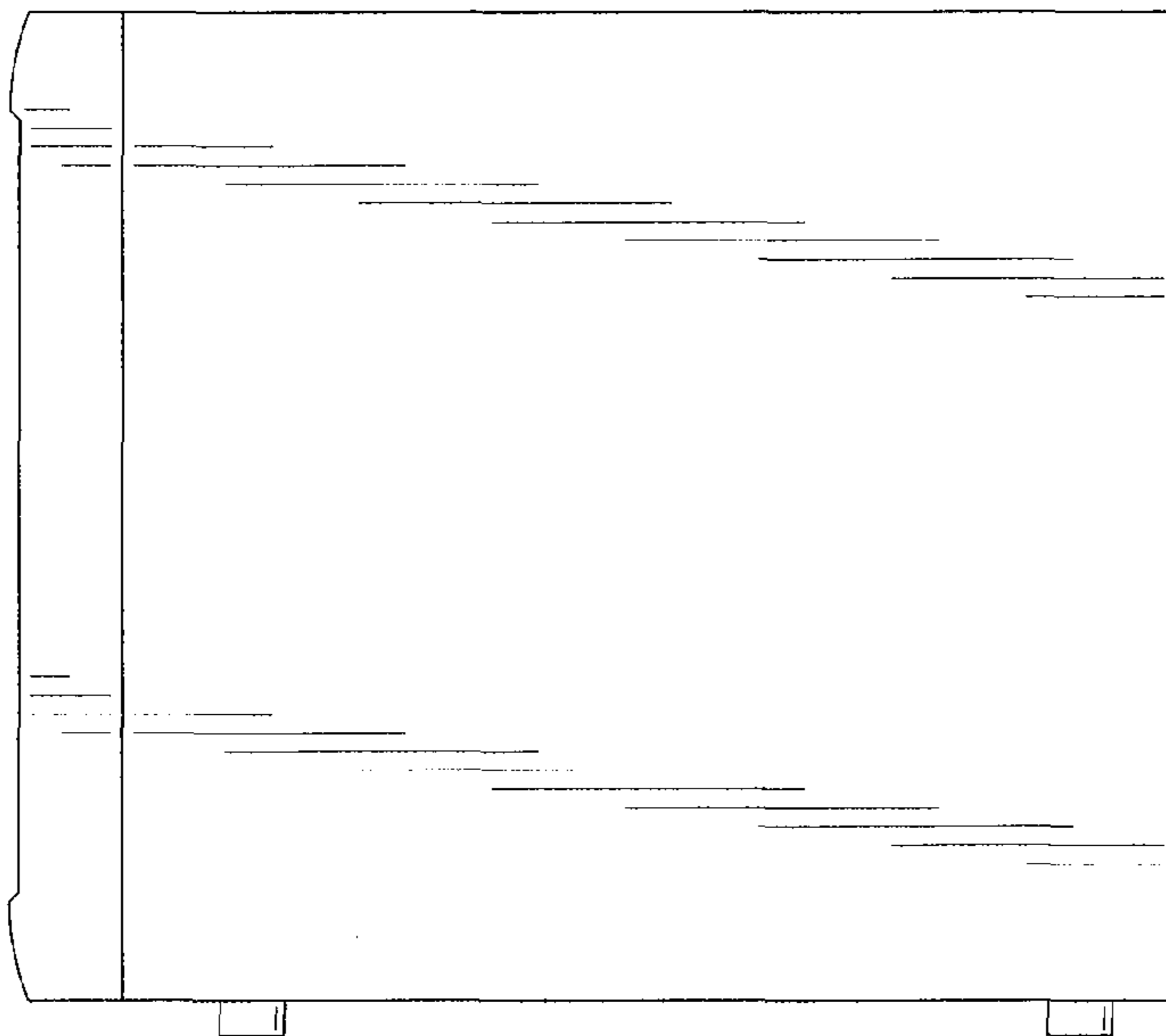


FIG.6

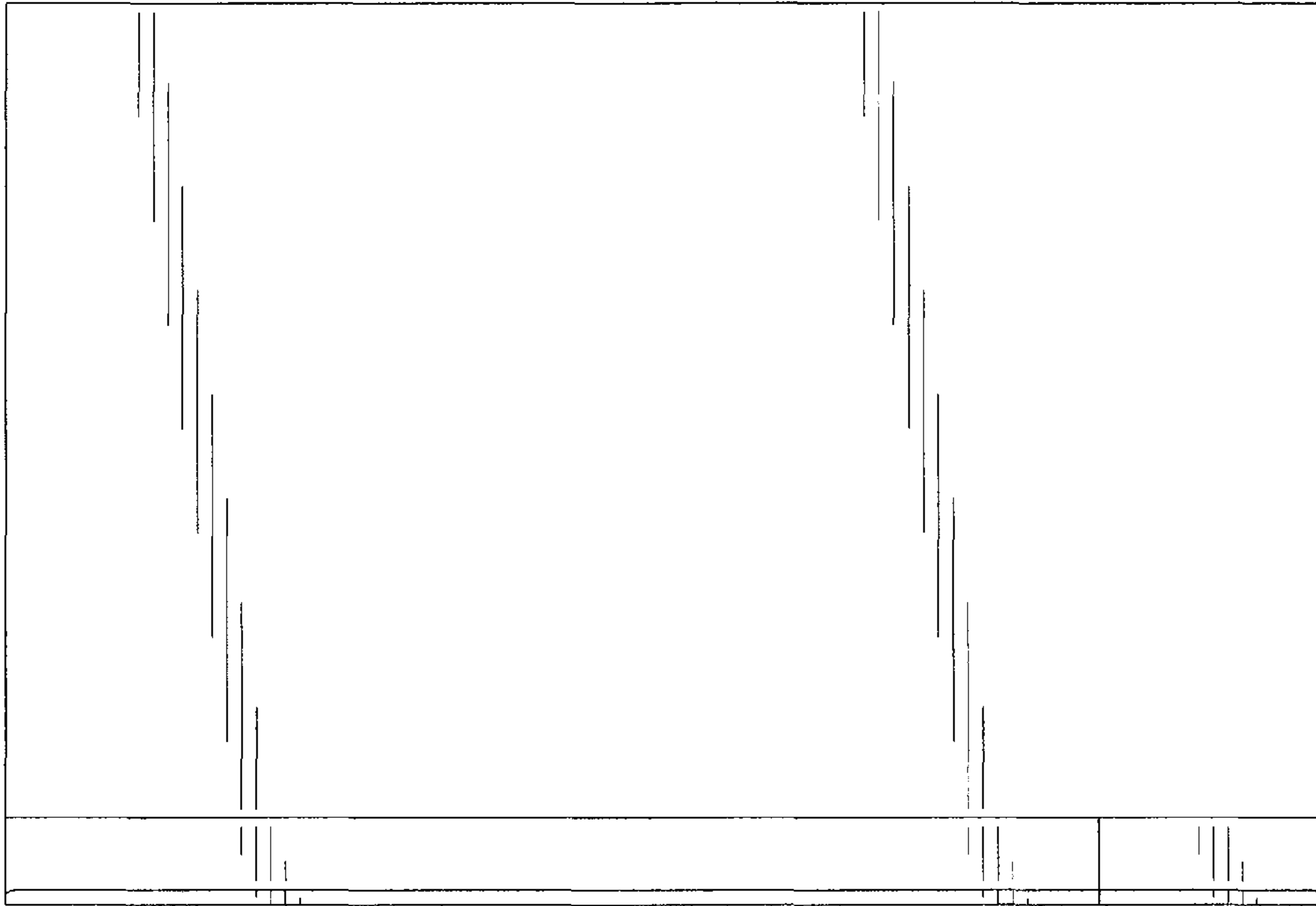


FIG.7

