



US00D657605S

(12) **United States Design Patent**
Chen

(10) **Patent No.:** **US D657,605 S**

(45) **Date of Patent:** **** Apr. 17, 2012**

(54) **CUSHION**

(75) **Inventor:** **Fu-Chieng Chen**, Taipei (TW)

(73) **Assignee:** **Formosa Sounding Corp.**, Taipei (TW)

(**) **Term:** **14 Years**

(21) **Appl. No.:** **29/391,058**

(22) **Filed:** **May 3, 2011**

(51) **LOC (9) Cl.** **06-09**

(52) **U.S. Cl.** **D6/601**

(58) **Field of Classification Search** D6/595,
D6/596, 598, 601, 604, 368; 5/630, 633,
5/636, 638, 640, 652-655, 655.3, 656, 655.5;
297/229, 452.26, 452.21, 452.25

See application file for complete search history.

(56) **References Cited**

U.S. PATENT DOCUMENTS

1,542,674	A *	6/1925	Darling	5/632
3,393,012	A *	7/1968	Chancellor, Jr.	5/654.1
D318,392	S *	7/1991	Edelson	D6/601
D377,880	S *	2/1997	Oyama, Jr.	D6/601
D386,035	S *	11/1997	Matsler et al.	D6/601

D474,637	S *	5/2003	Scheetz	D6/601
6,611,980	B2 *	9/2003	Wempe	5/654
7,445,292	B2 *	11/2008	Moule	297/452.25
D591,996	S *	5/2009	Green et al.	D6/601

* cited by examiner

Primary Examiner — Janice Seeger

(74) *Attorney, Agent, or Firm* — Ming Chow; Sinorica, LLC

(57) **CLAIM**

The ornamental design for a cushion, as shown.

DESCRIPTION

FIG. 1 is a front right perspective view of a cushion showing my new design;

FIG. 2 is a front perspective view thereof;

FIG. 3 is a rear perspective view thereof;

FIG. 4 is a left side elevation view thereof;

FIG. 5 is a right side elevation view thereof;

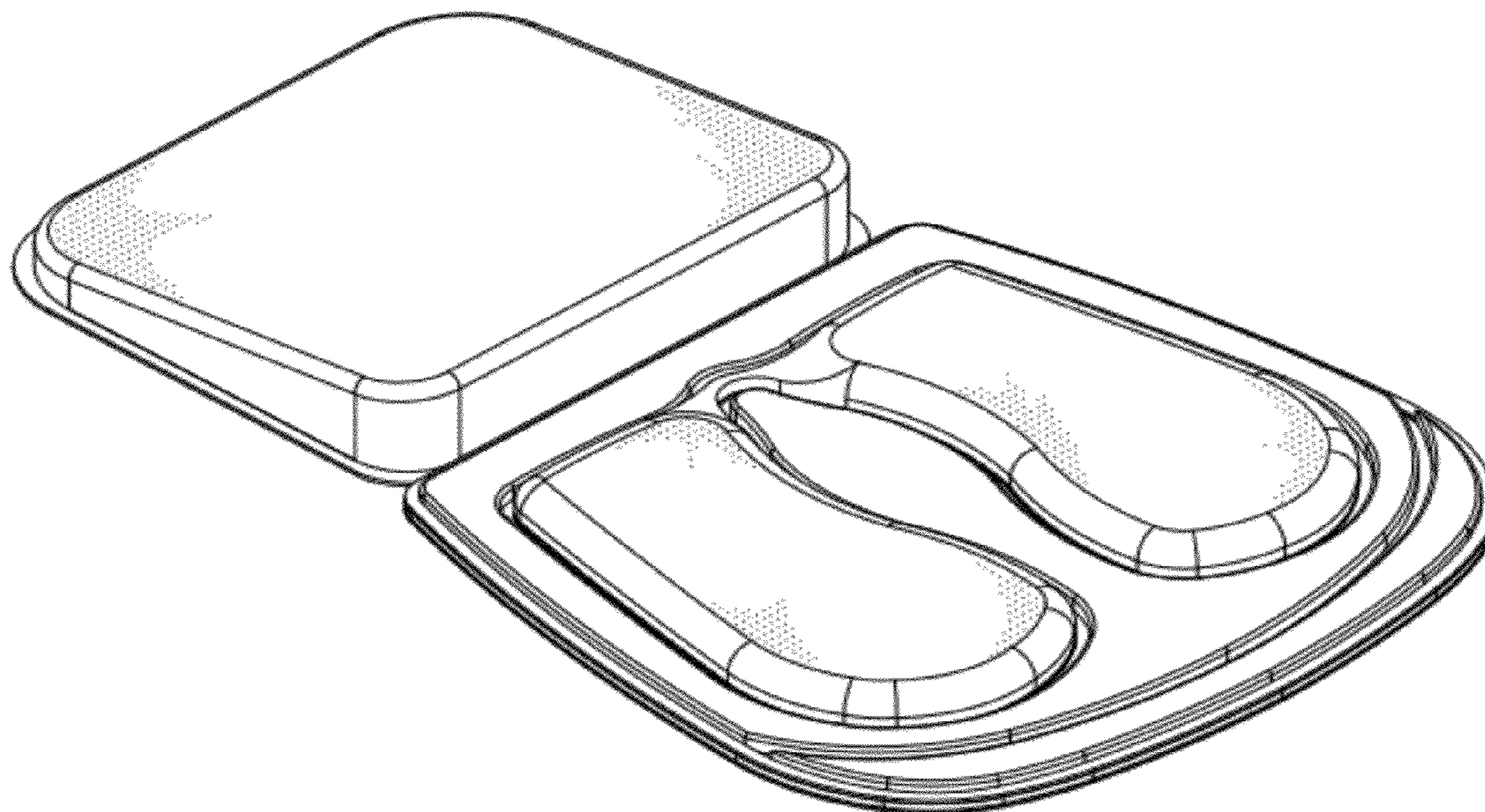
FIG. 6 is a top plan view thereof;

FIG. 7 is a bottom plan view thereof; and,

FIG. 8 is a perspective view showing the cushion in an alternate position for use.

The broken lines are for environmental purposes only and form no part of the claimed design.

1 Claim, 6 Drawing Sheets



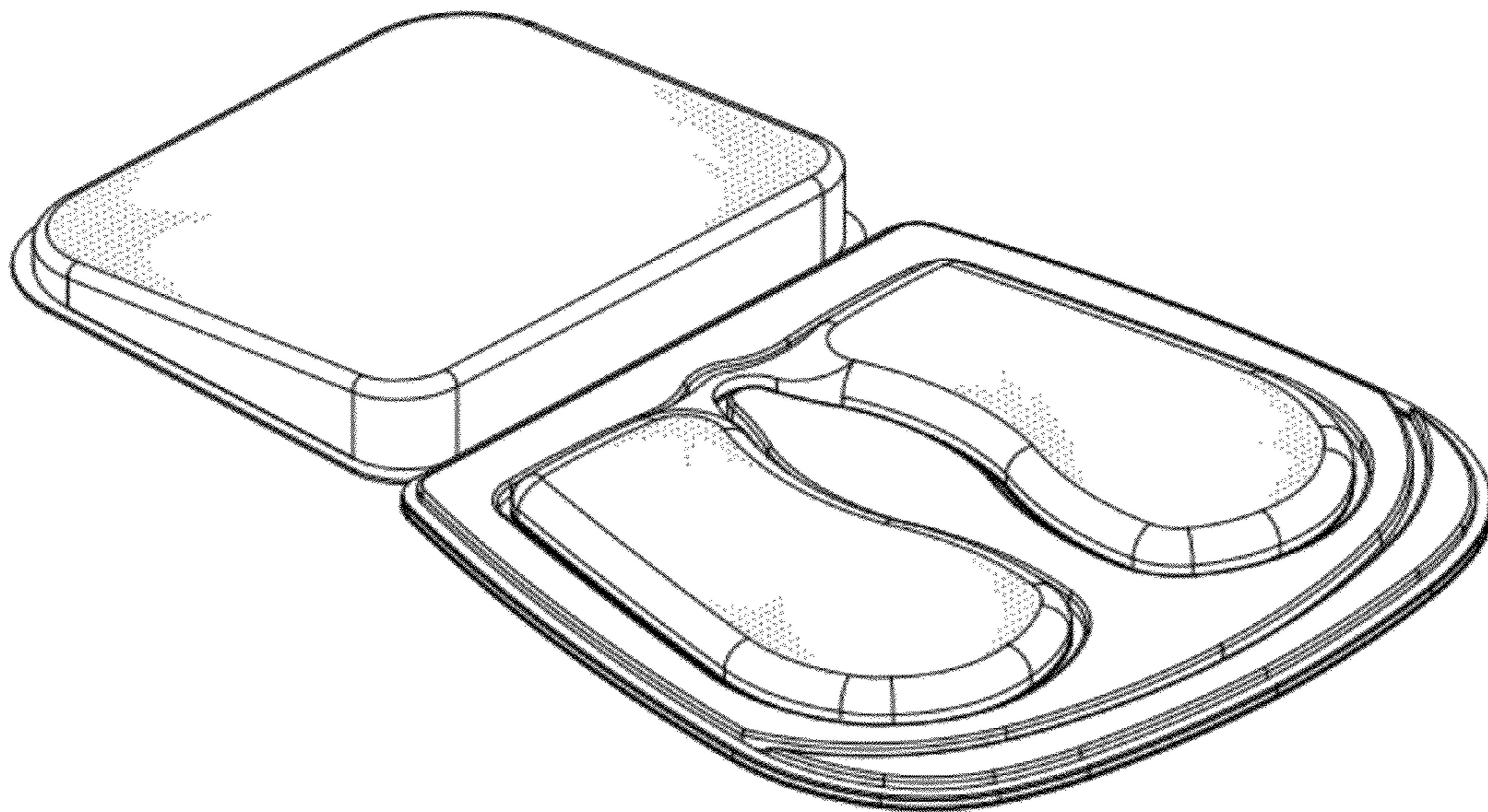


FIG. 1

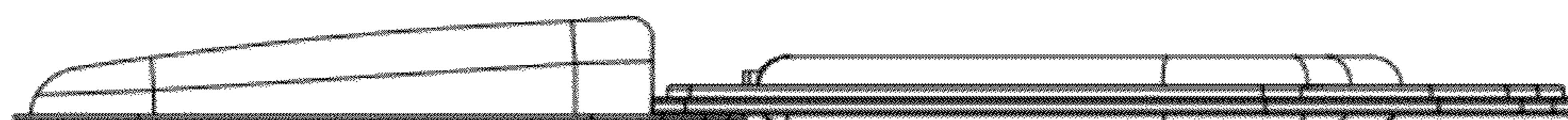


FIG. 2

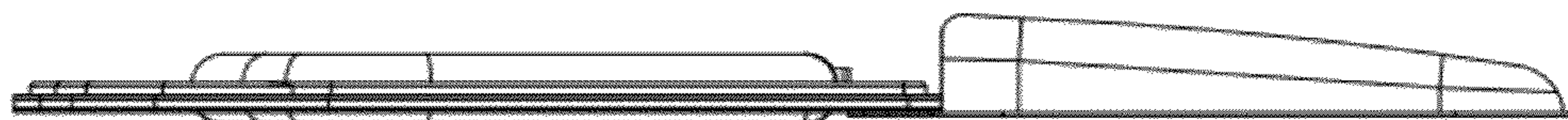


FIG. 3

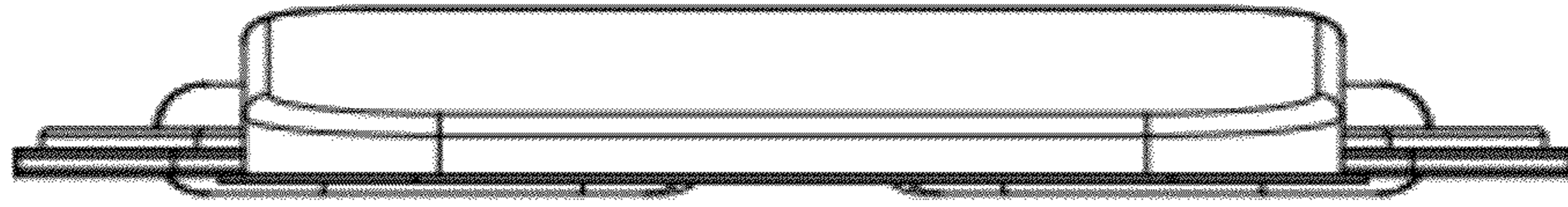


FIG. 4

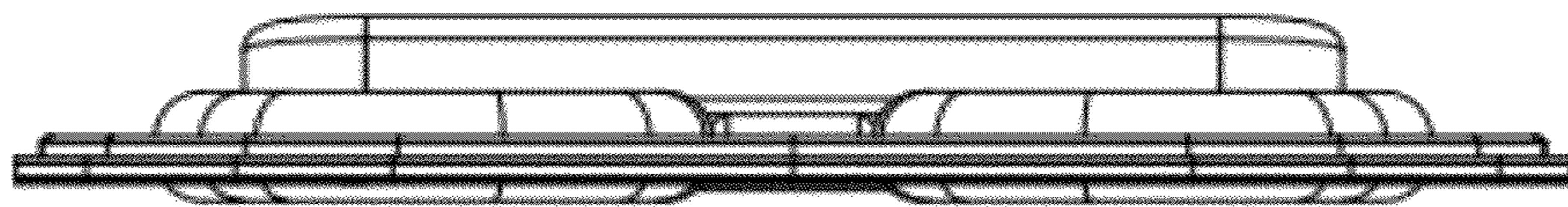


FIG. 5

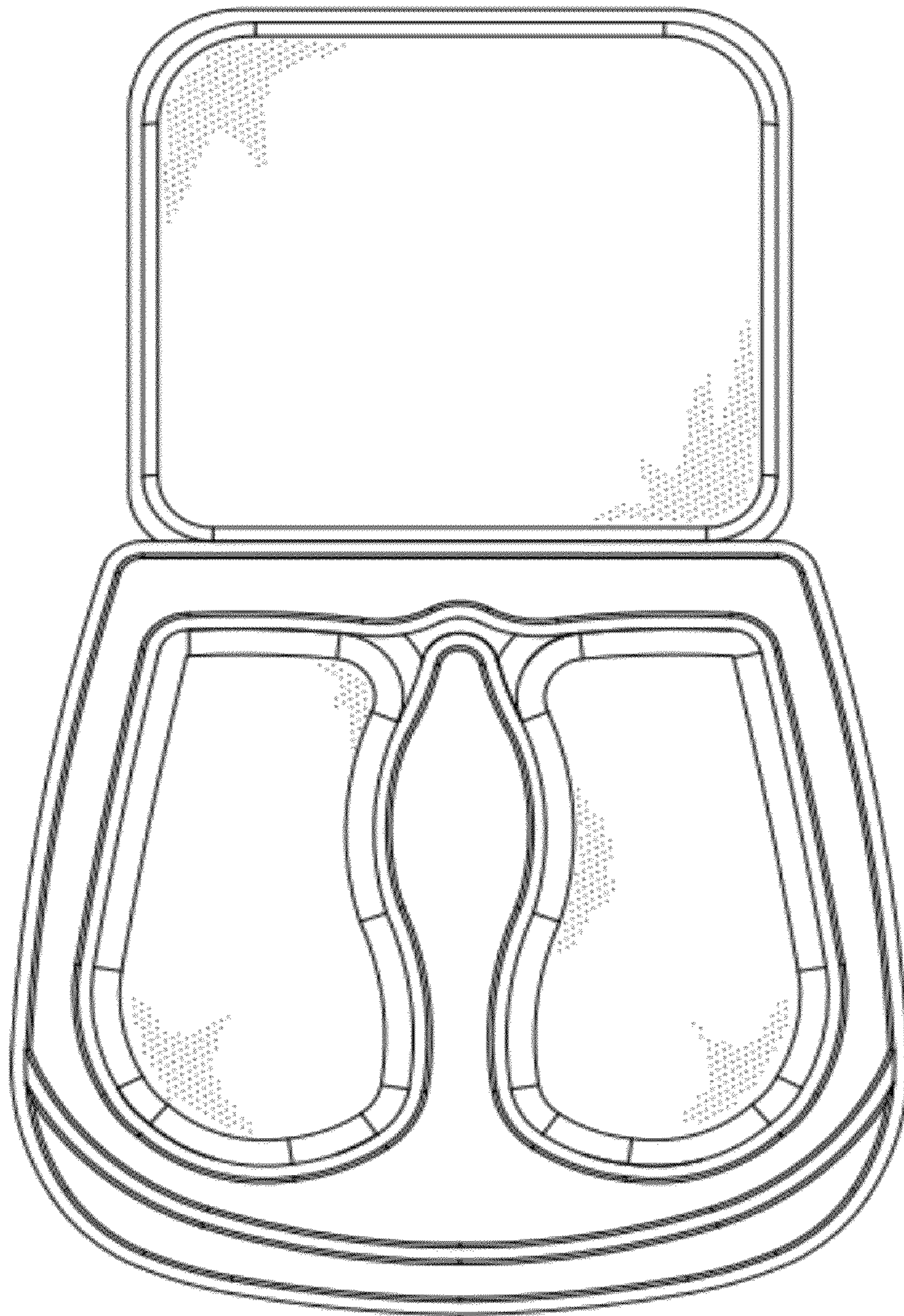


FIG. 6

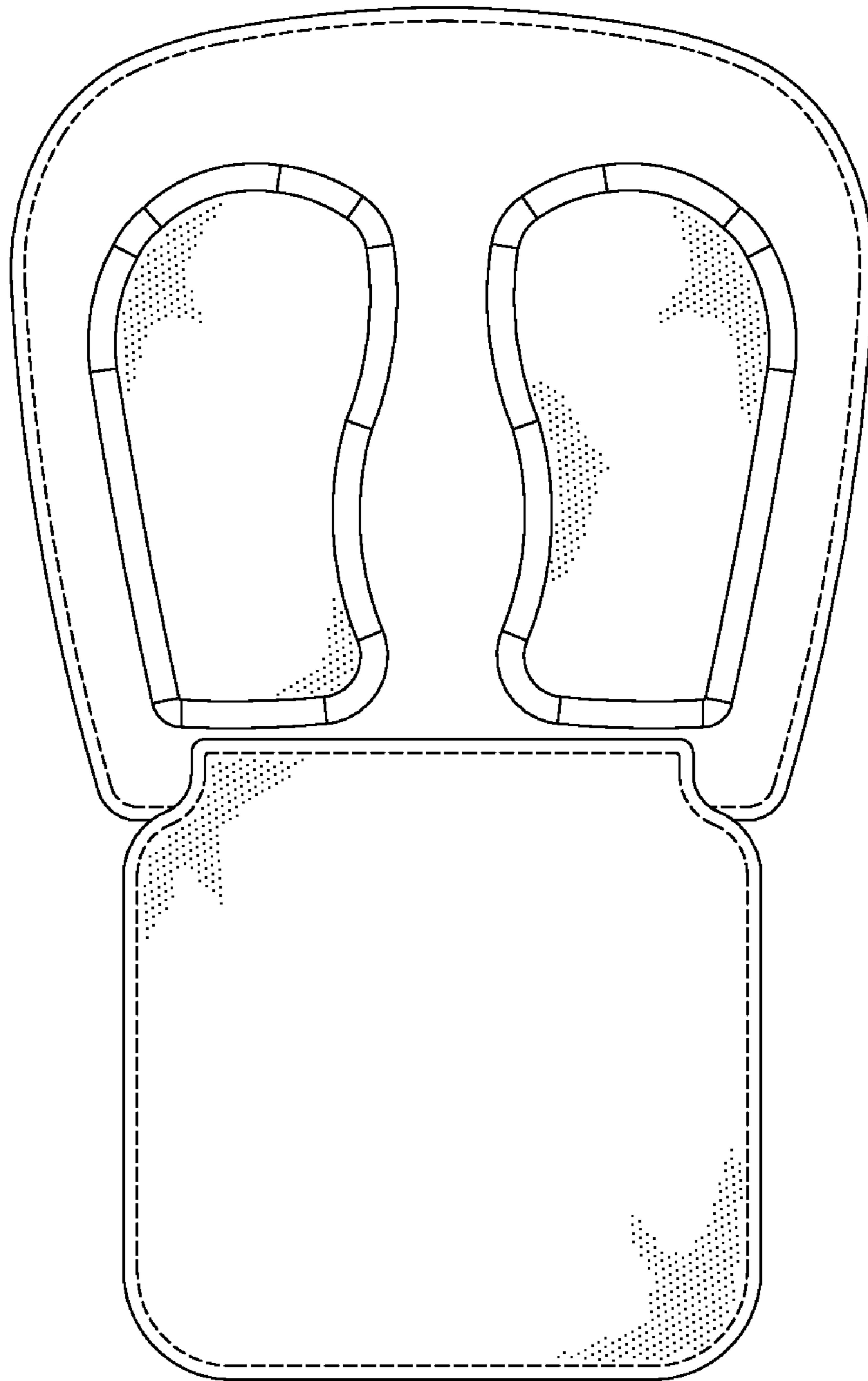


FIG. 7

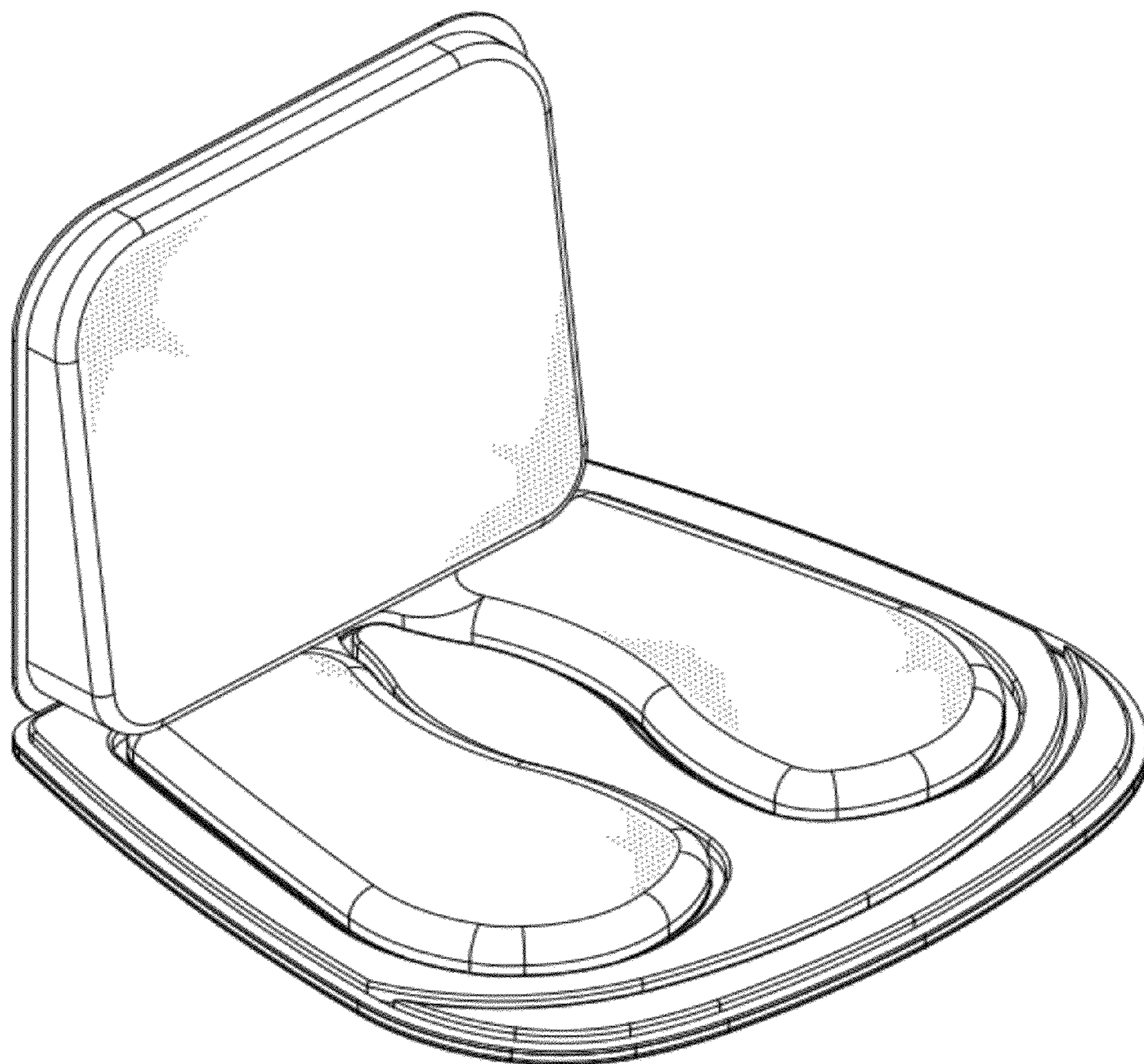


FIG. 8