



US00D657602S

(12) **United States Design Patent Service**

(10) **Patent No.:** **US D657,602 S**  
(45) **Date of Patent:** **\*\* Apr. 17, 2012**

(54) **EXERCISE ALIGNMENT MAT**

(75) Inventor: **Patrick W. Service**, Butner, NC (US)

(73) Assignee: **Youtraifitness, LLC**, Butner, NC (US)

(\*\*) Term: **14 Years**

(21) Appl. No.: **29/384,996**

(22) Filed: **Feb. 7, 2011**

**Related U.S. Application Data**

(63) Continuation-in-part of application No. 29/337,613, filed on May 27, 2009, now Pat. No. Des. 632,119.

(51) **LOC (9) Cl.** ..... **06-11**

(52) **U.S. Cl.** ..... **D6/582; D21/662**

(58) **Field of Classification Search** ..... D21/662, D21/686, 792, 798; D6/582, 583, 588-589, D6/592, 596, 599, 601-602, 608; 482/23, 482/907; 473/270, 278, 409; 434/169

See application file for complete search history.

(56) **References Cited**

**U.S. PATENT DOCUMENTS**

D49,457 S *	7/1916	Sauer	.....	D6/582
D100,951 S *	8/1936	Klein	.....	D6/608
D210,518 S *	3/1968	Woodman	.....	D25/143
4,485,505 A *	12/1984	Paul	.....	5/714
D308,087 S *	5/1990	Buffey	.....	D21/792
D355,226 S *	2/1995	Wadley	.....	D21/686
D370,818 S *	6/1996	D'Alessio	.....	D6/582
D393,499 S *	4/1998	Brown	.....	D6/582
D394,578 S *	5/1998	Raburn	.....	D6/601
D397,269 S *	8/1998	Kawamoto	.....	D6/596
6,387,013 B1 *	5/2002	Marquez	.....	482/23
D483,596 S *	12/2003	Wildstein et al.	.....	D6/582
D509,980 S *	9/2005	Martin et al.	.....	D6/596
7,108,635 B2 *	9/2006	Howlett-Campanella	.....	482/23

7,819,777 B1 *	10/2010	Service	.....	482/23
D632,119 S *	2/2011	Service	.....	D6/582
2004/0214692 A1 *	10/2004	Koenig	.....	482/23

\* cited by examiner

*Primary Examiner* — Susan E Krakower

(74) *Attorney, Agent, or Firm* — Charter IP LLC; Matthew J. Lattig

(57) **CLAIM**

The ornamental design for an exercise alignment mat, as shown and described.

**DESCRIPTION**

FIG. 1 is a perspective view of an exercise alignment mat in accordance with a first embodiment showing my new design. FIG. 2 is a front elevational view thereof, the rear elevational view being a mirror image of the front elevational view.

FIG. 3 is a right side elevational view thereof, the left side elevational view being a mirror image of the right side elevational view.

FIG. 4 is a top plan view thereof.

FIG. 5 is a perspective view thereof with an enlarged view of a portion thereof to show ornamental aspects of the ruler markings in more detail.

FIG. 6 is a perspective view of an exercise alignment mat in accordance with a second embodiment.

FIG. 7 is a front elevational view of FIG. 6, the rear elevational view being a mirror image of the front elevational view.

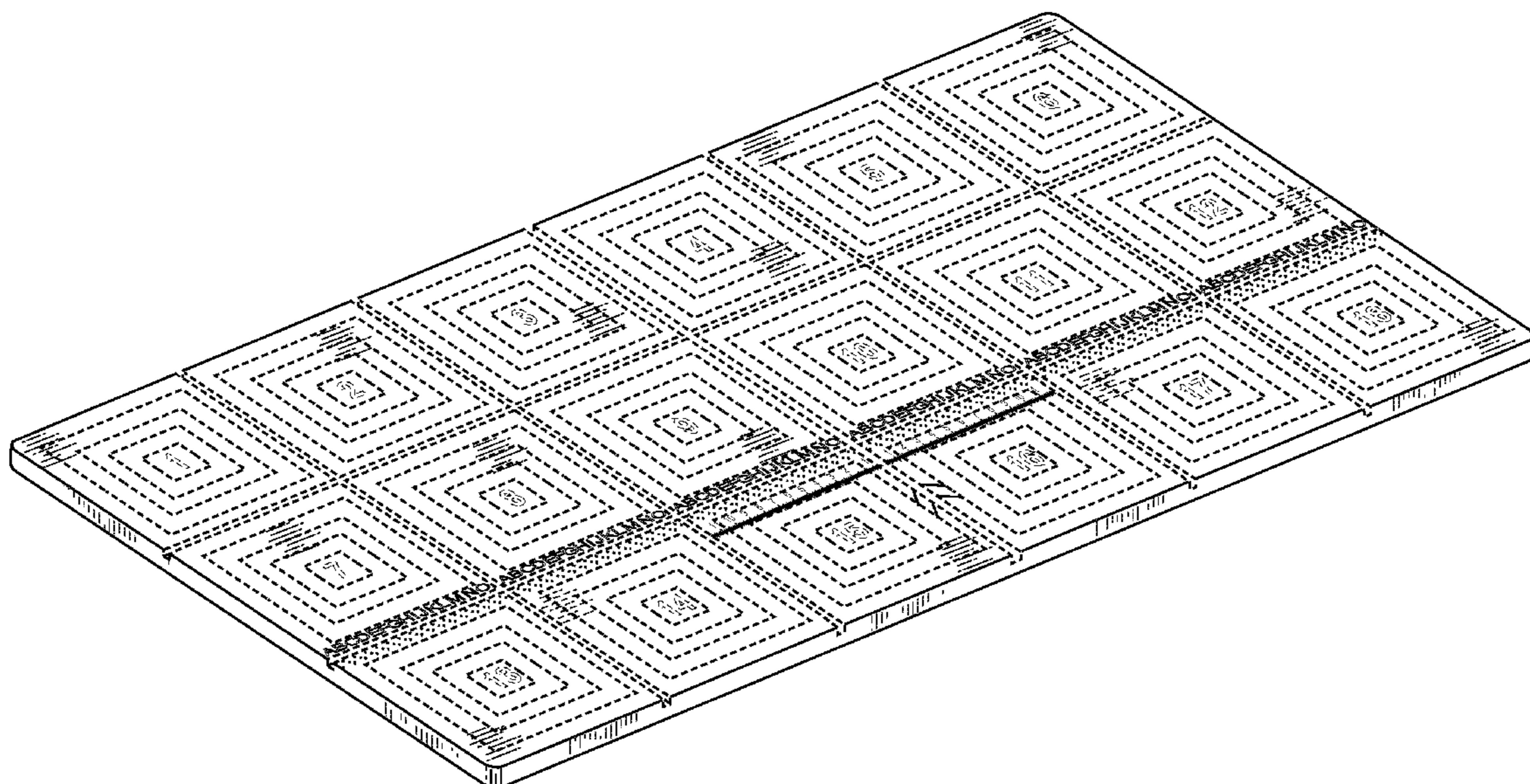
FIG. 8 is a right side elevational view of FIG. 6, the left side elevational view being a mirror image of the right side elevational view.

FIG. 9 is a top plan view of FIG. 6; and,

FIG. 10 is a perspective view of FIG. 6 with an enlarged view of a portion thereof to show ornamental aspects of the ruler markings in more detail.

The broken lines illustrate portions of the exercise alignment mat which form no part of the claimed design.

**1 Claim, 8 Drawing Sheets**



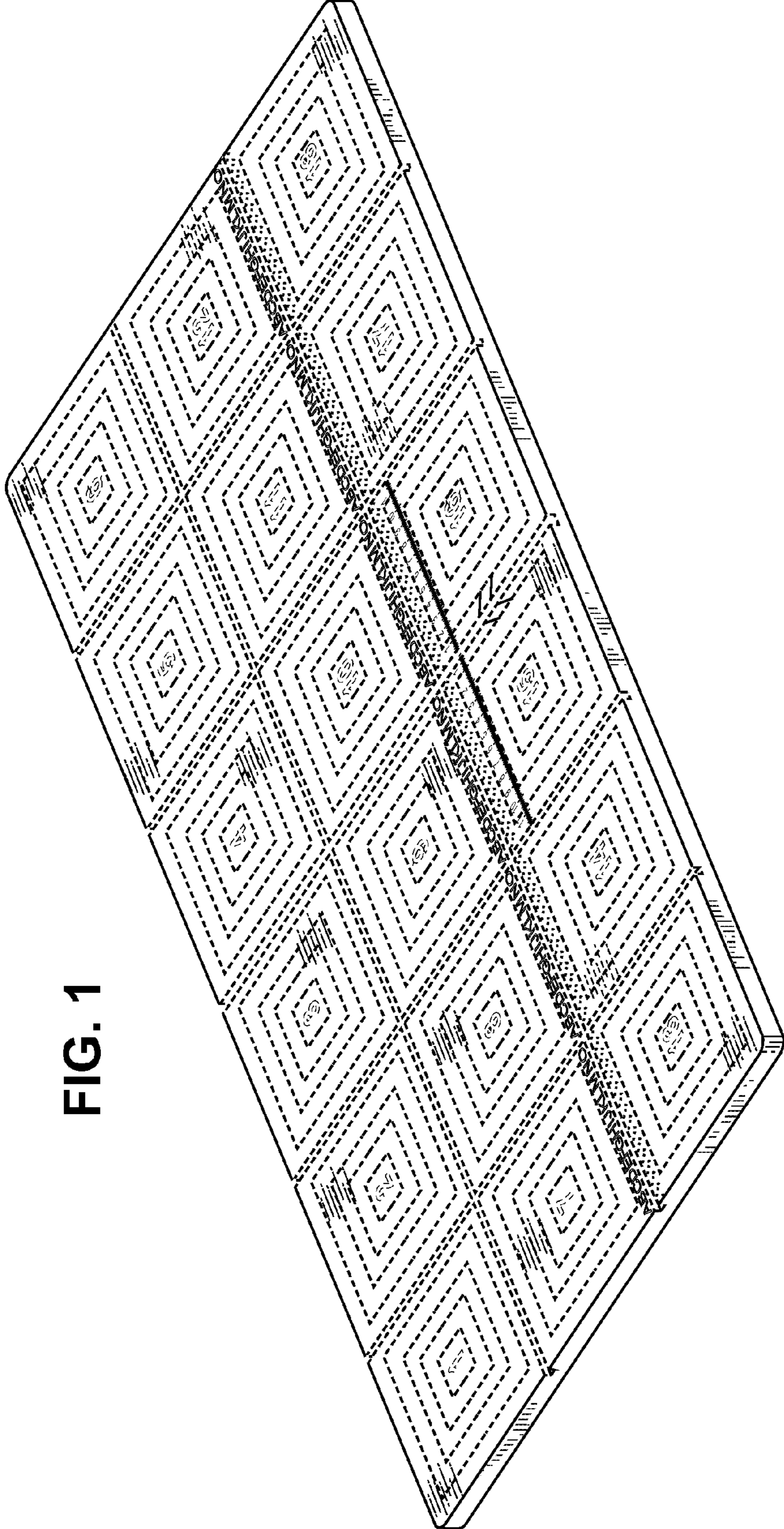
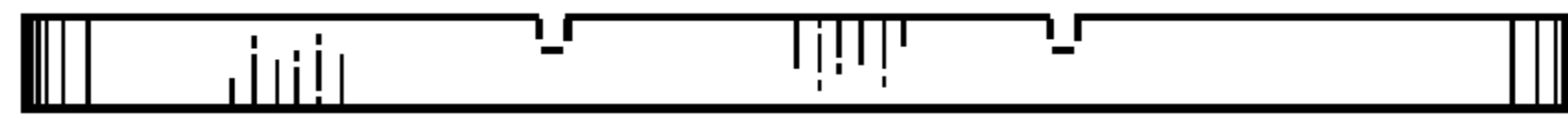


FIG. 1



**FIG. 2**



**FIG. 3**

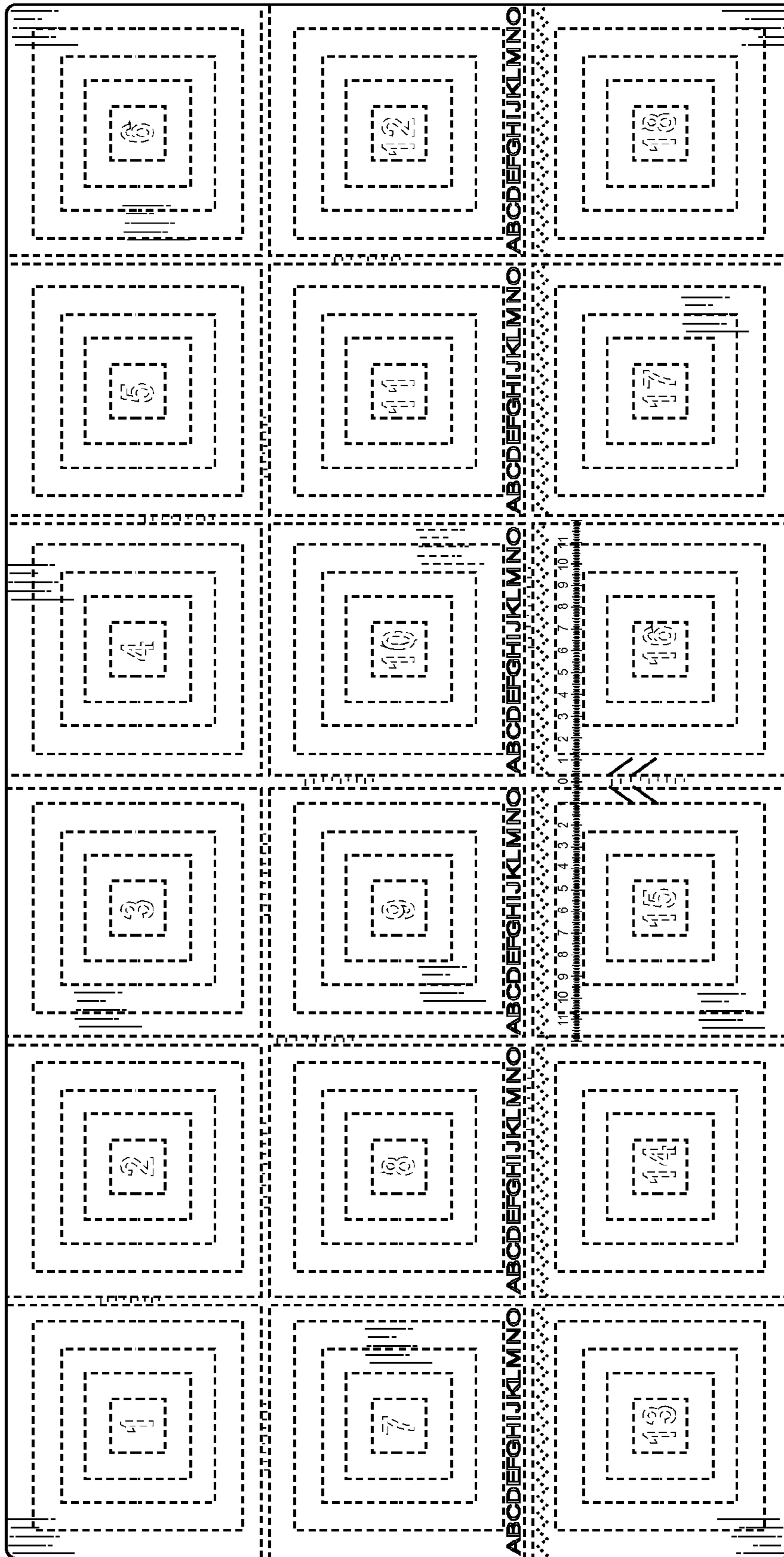


FIG. 4

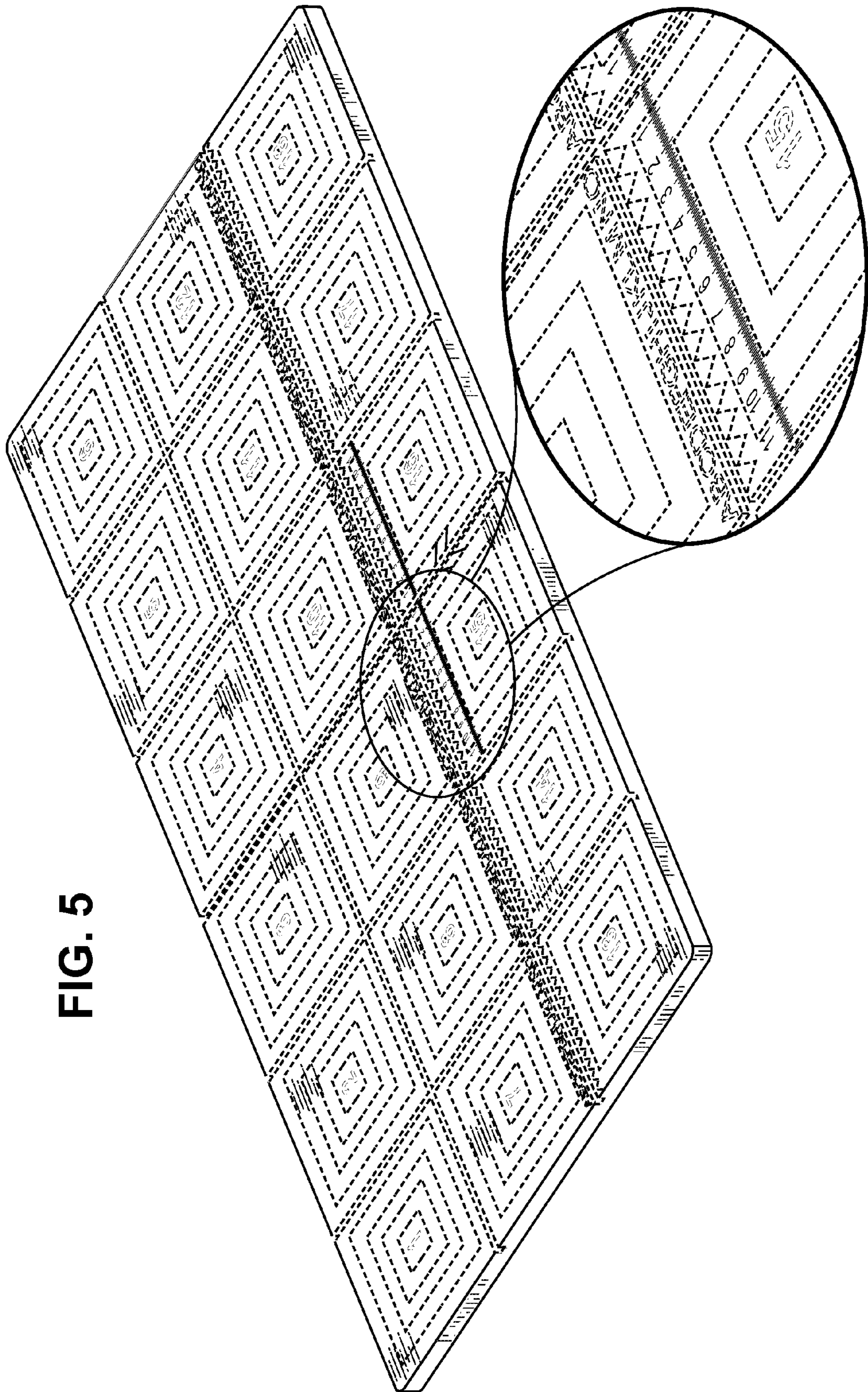


FIG. 5

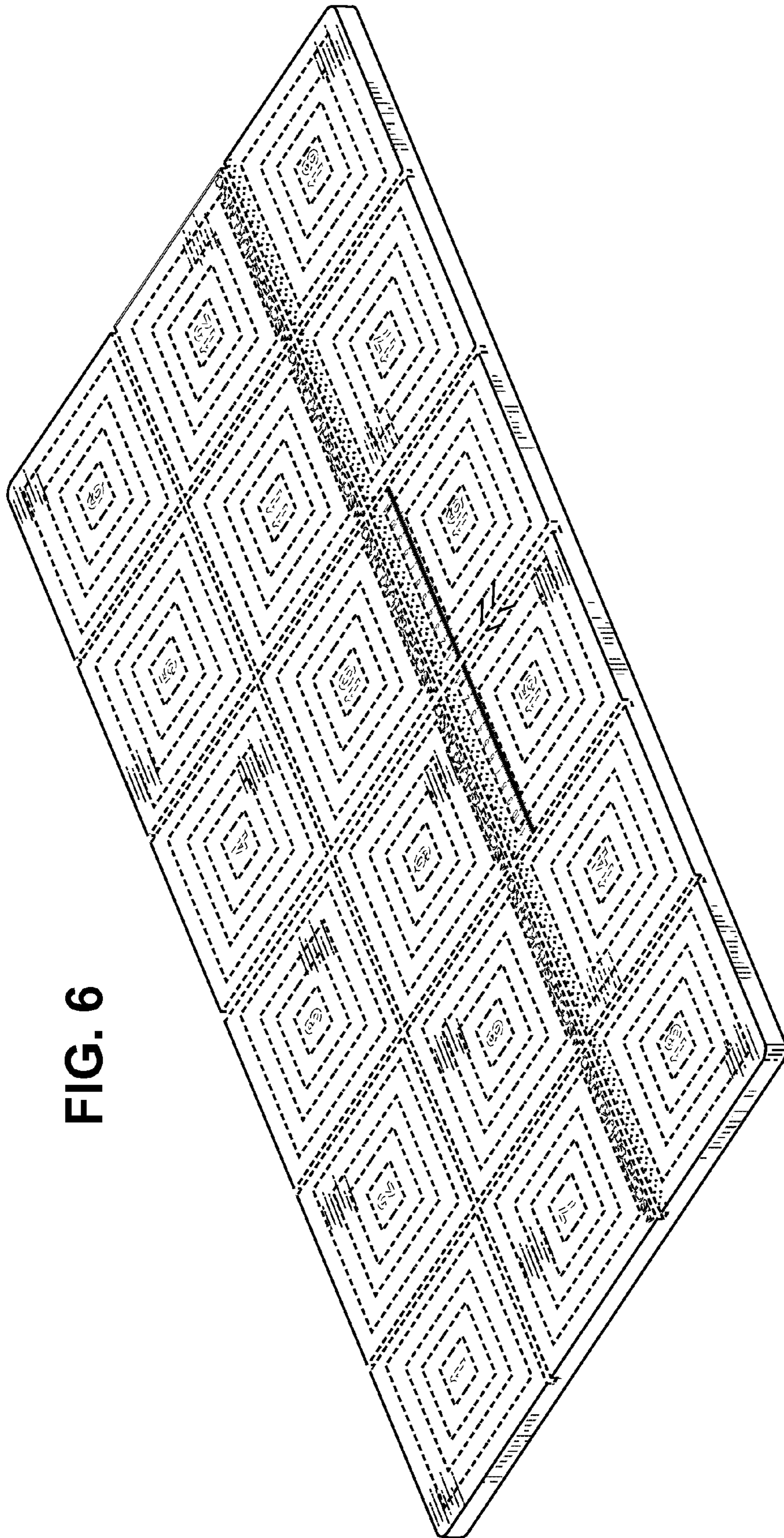
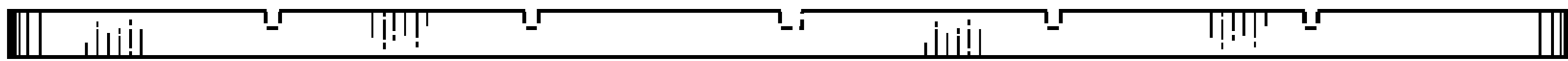
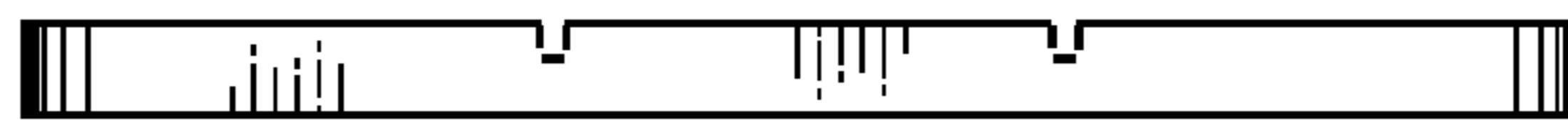


FIG. 6



**FIG. 7**



**FIG. 8**





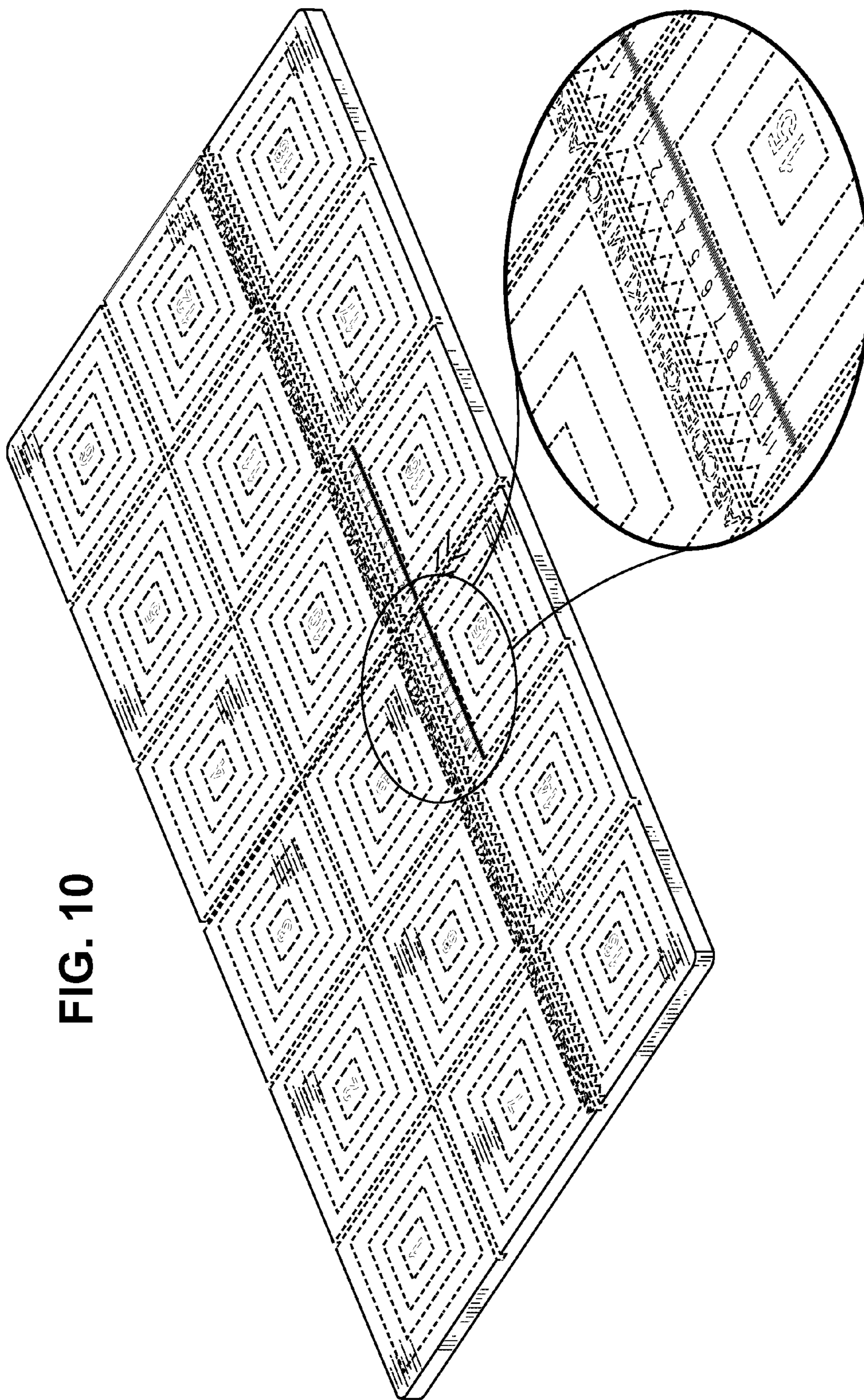


FIG. 10