



US00D657599S

(12) **United States Design Patent**
Beckner

(10) **Patent No.:** **US D657,599 S**

(45) **Date of Patent:** **** Apr. 17, 2012**

(54) **DECKMATES**

(76) Inventor: **Ken Beckner**, Jefferson, MA (US)

(**) Term: **14 Years**

(21) Appl. No.: **29/388,123**

(22) Filed: **Mar. 24, 2011**

(51) **LOC (9) Cl.** **06-04**

(52) **U.S. Cl.** **D6/574; D25/62; D25/68**

(58) **Field of Classification Search** D25/62,
D25/63, 69; 182/115, 116, 120; 248/346.01,
248/317, 327, 309.1, 235, 236, 214; 108/42,
108/48, 56.3, 157.13; D6/513, 574
See application file for complete search history.

(56) **References Cited**

U.S. PATENT DOCUMENTS

D318,390	S	*	7/1991	Murray	D6/513
5,775,655	A	*	7/1998	Schmeets	248/240
5,893,331	A	*	4/1999	Diletto	108/48
D419,021	S	*	1/2000	Owens	D6/574
6,224,029	B1	*	5/2001	Marble et al.	248/214

D523,156	S	*	6/2006	Skaggs	D25/68
2009/0000523	A1	*	1/2009	Ciardelli	108/42
2010/0101459	A1	*	4/2010	Nelson	108/47

* cited by examiner

Primary Examiner — Doris Clark

(74) *Attorney, Agent, or Firm* — Gary E. Lambert; David J. Connaughton, Jr.; Lambert & Associates

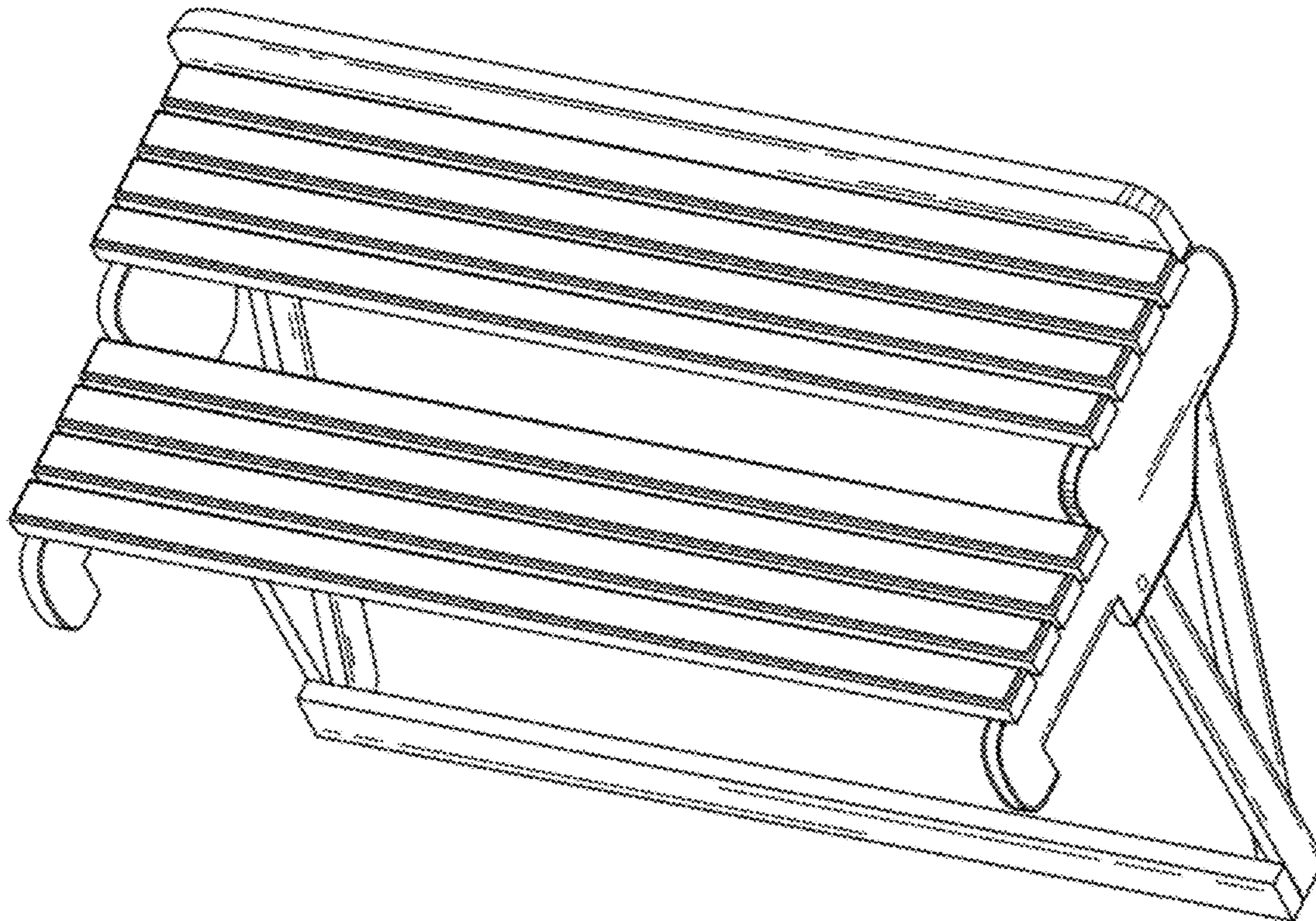
(57) **CLAIM**

The ornamental design for a platform for deck attachment, as shown and described.

DESCRIPTION

FIG. 1 is a isometric view of the platform for deck attachment, which embodies my design;
FIG. 2 is a top plane view of the platform for deck attachment;
FIG. 3 is a bottom plane view of the platform for deck attachment;
FIG. 4 is a right side view of the platform for deck attachment;
FIG. 5 is a left side view of the platform for deck attachment;
FIG. 6 is a rear view of the platform for deck attachment; and,
FIG. 7 is a front view of the platform for deck attachment.

1 Claim, 4 Drawing Sheets



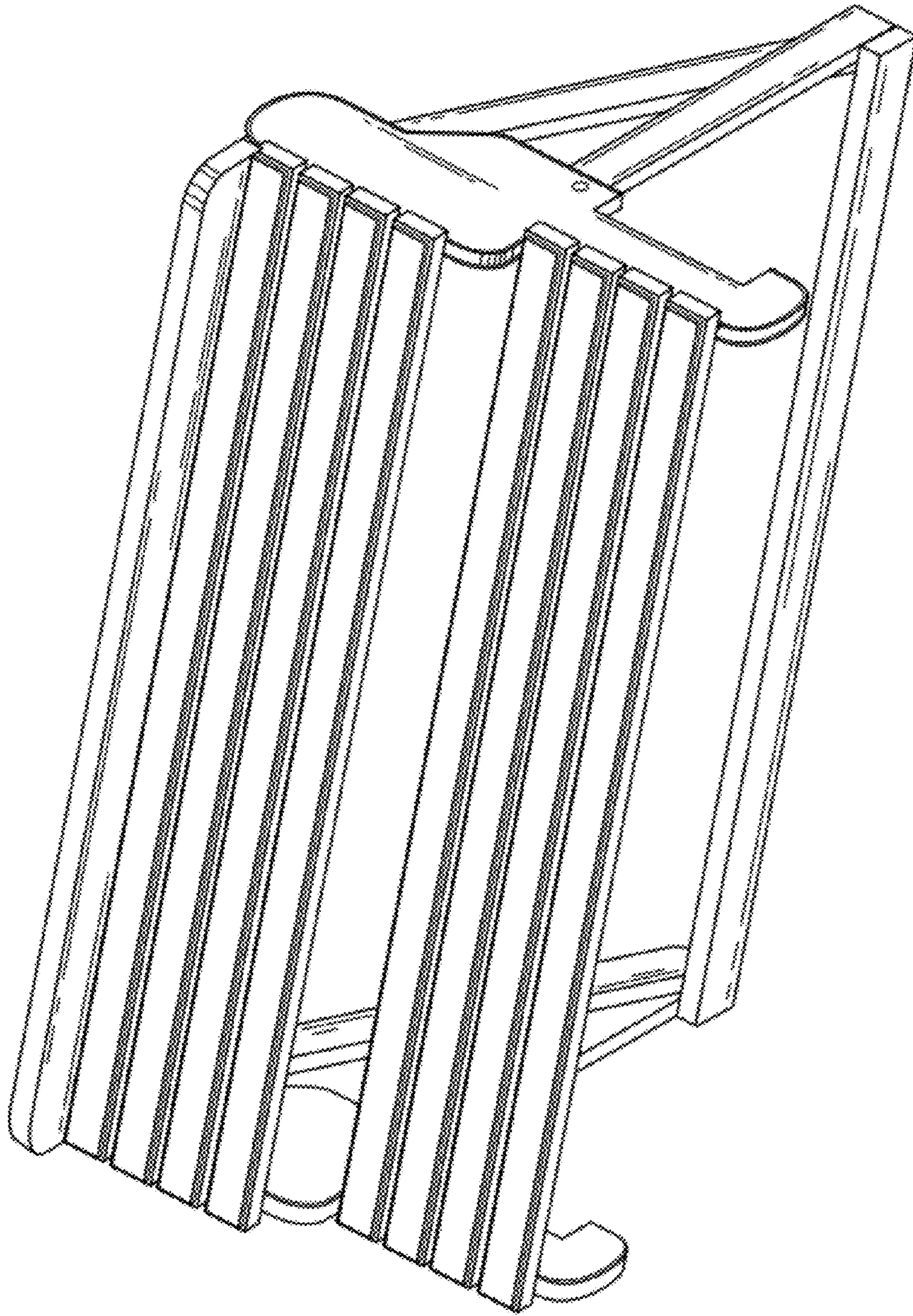


Fig. 1

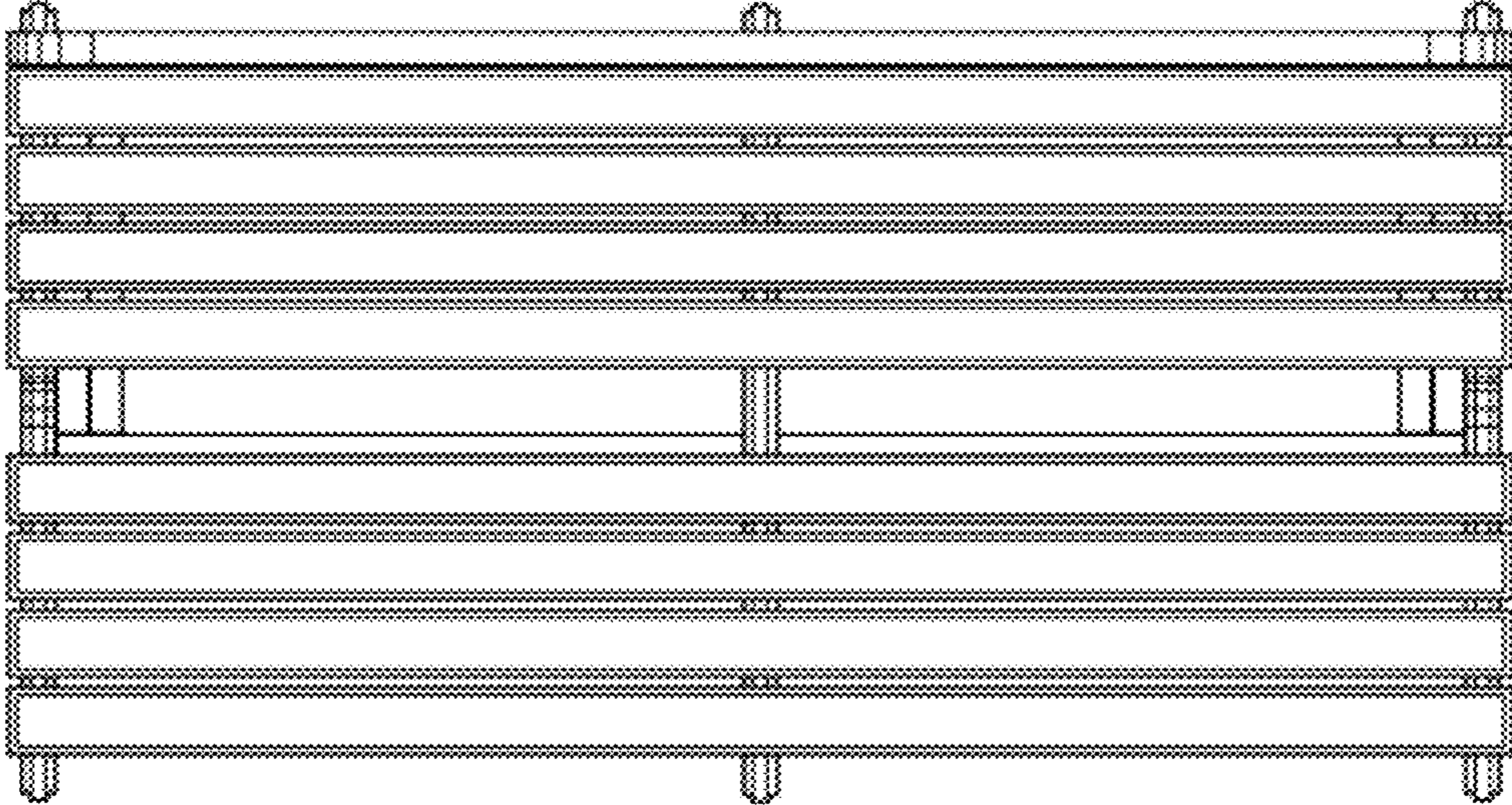


Fig. 2

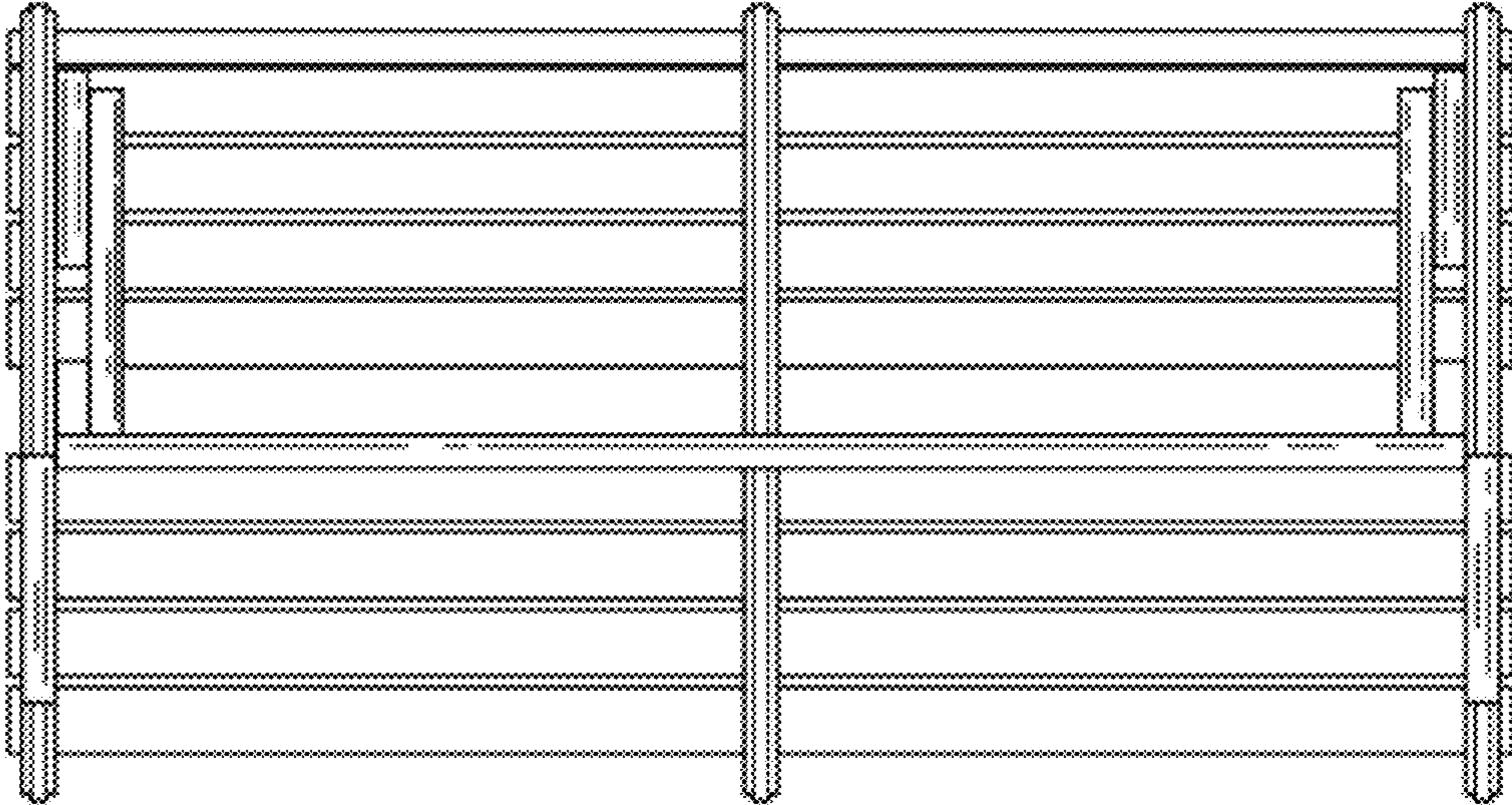


Fig. 3

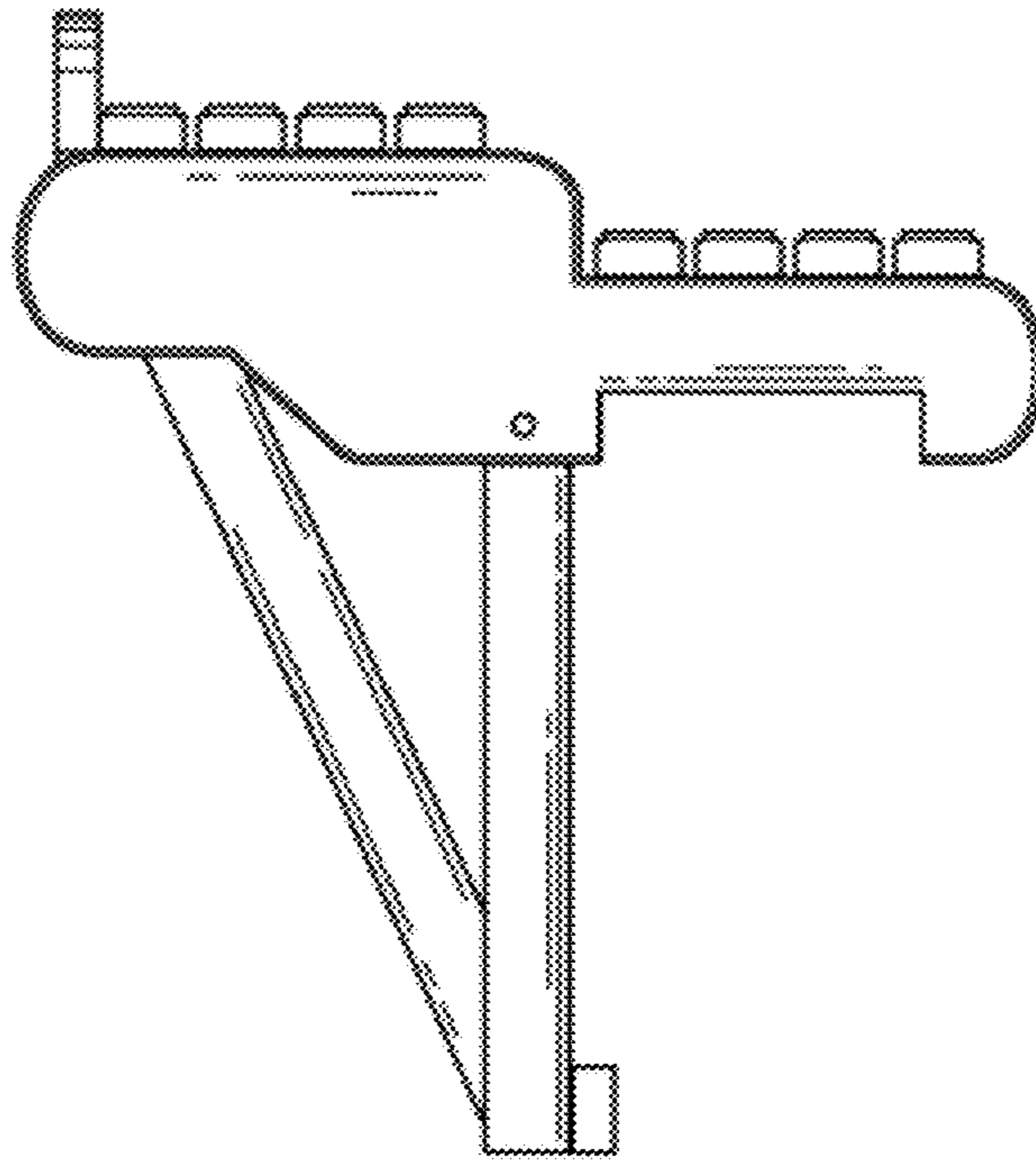


Fig. 4

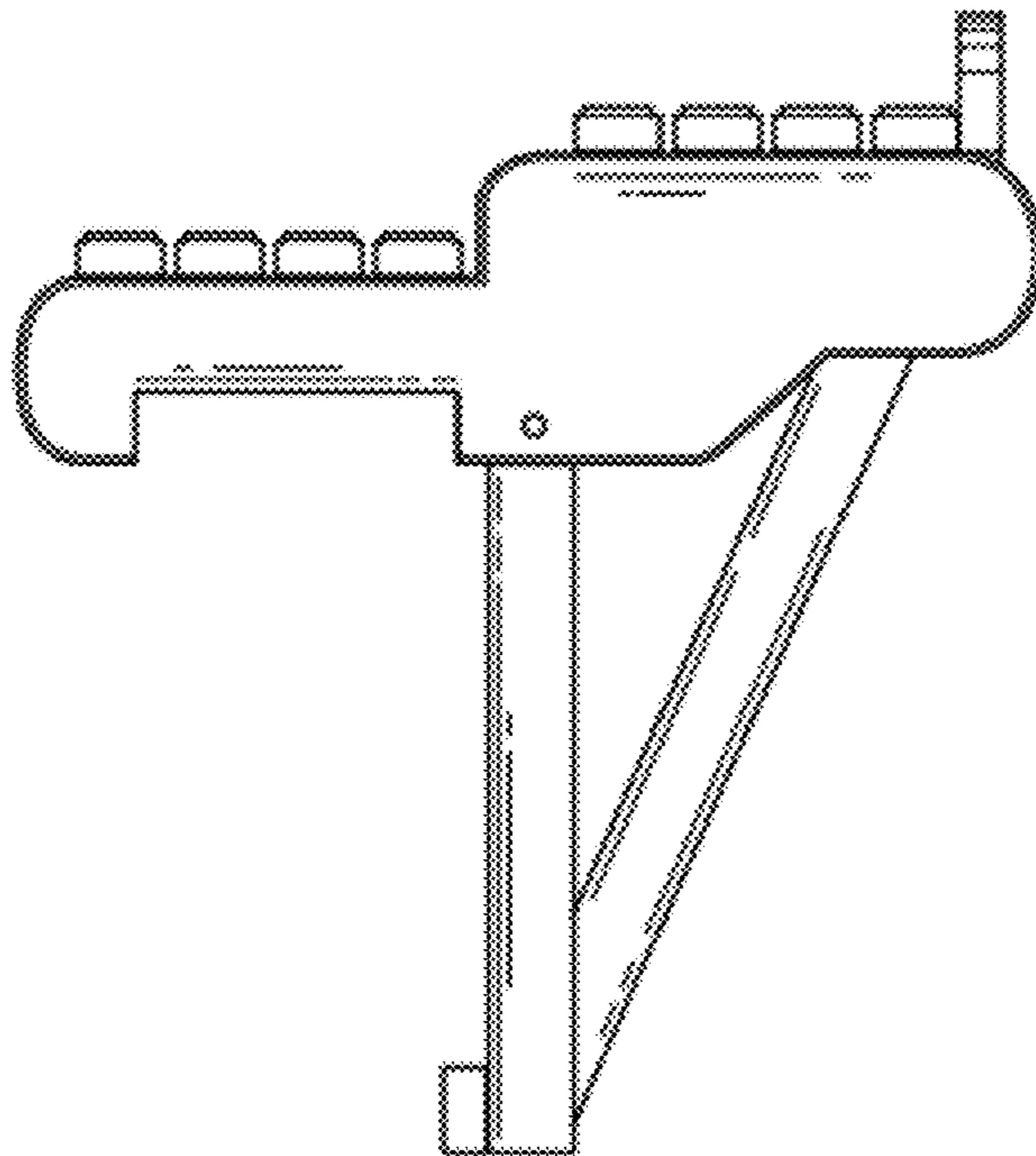


Fig. 5

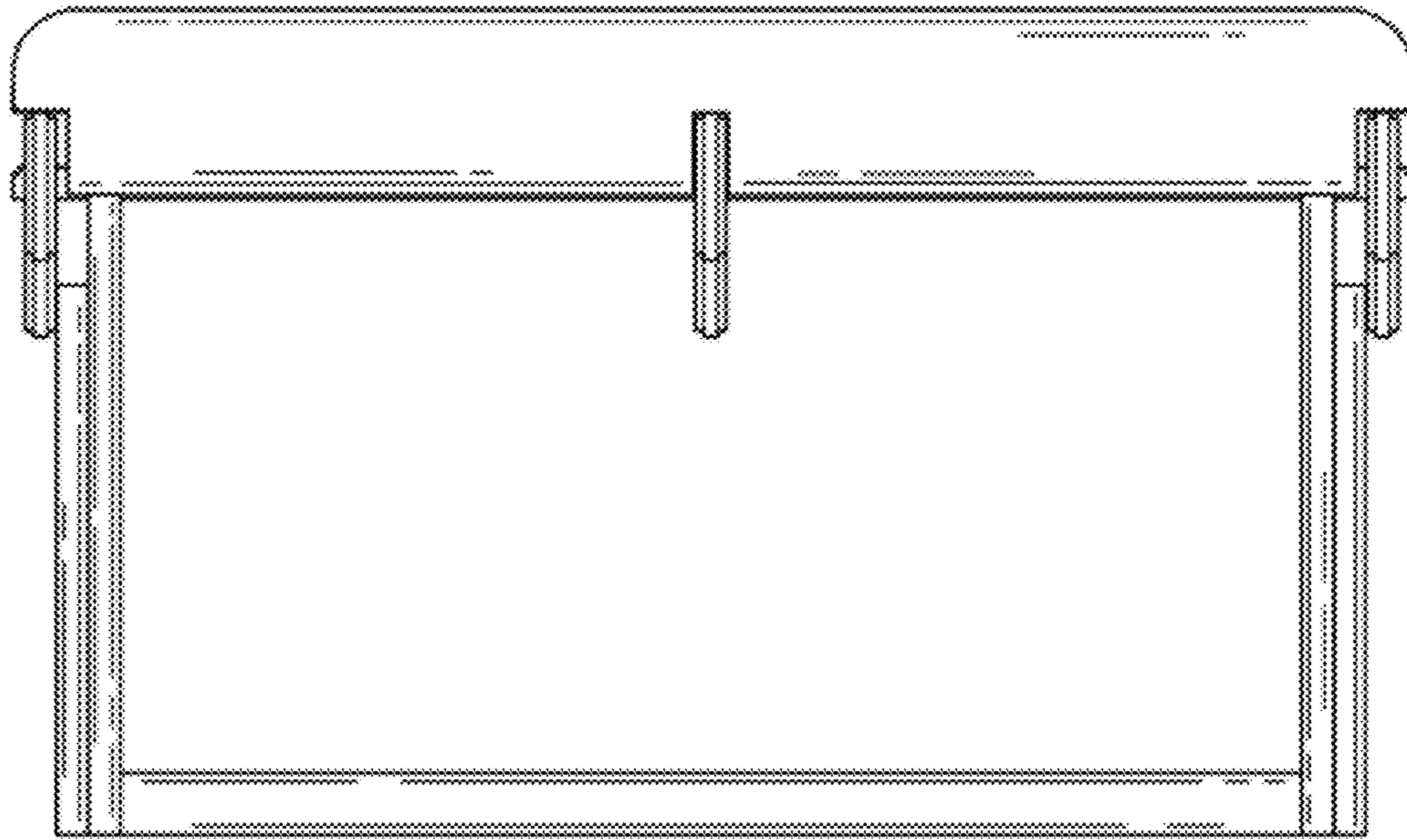


Fig. 6

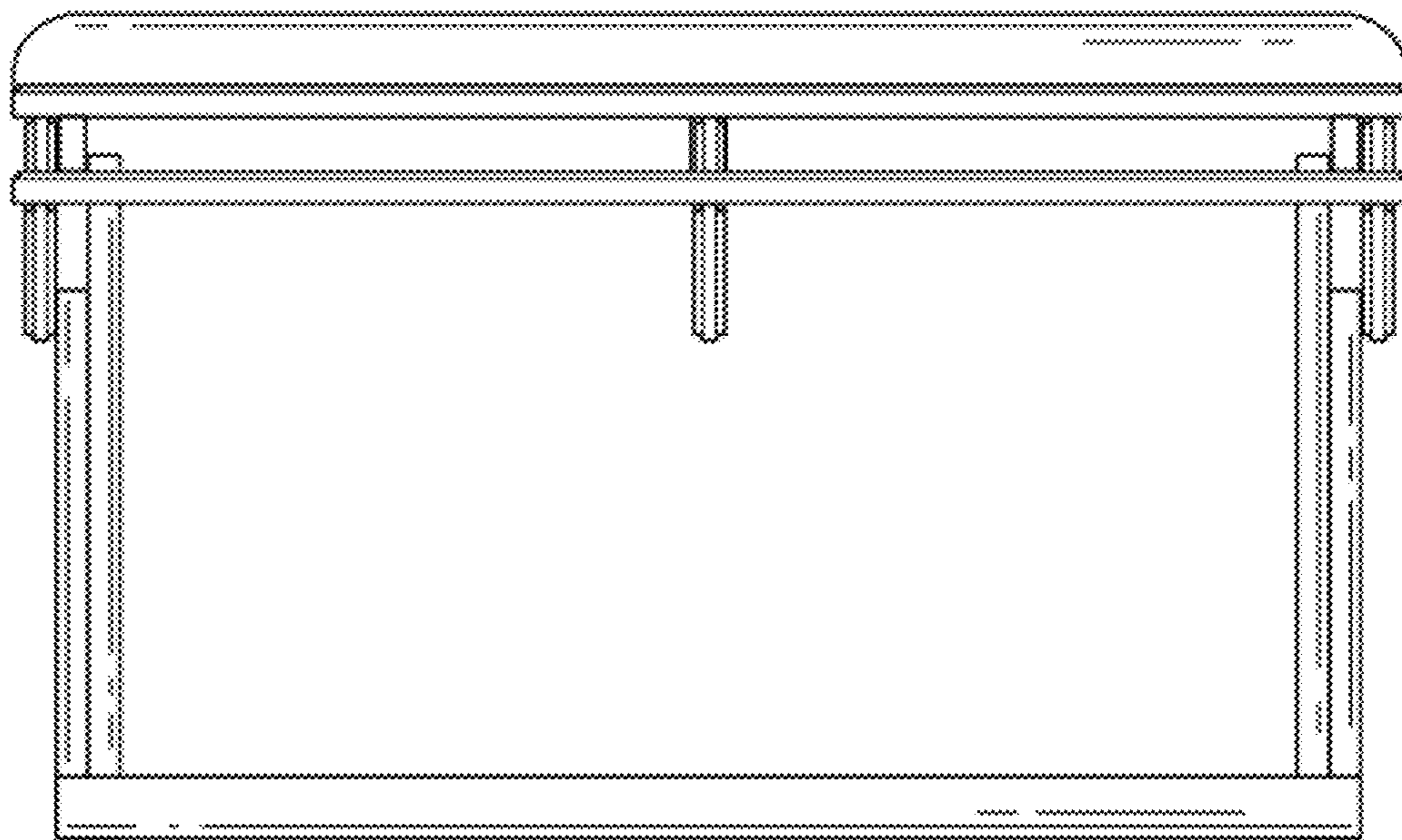


Fig. 7