



US00D657596S

(12) **United States Design Patent**
Sakakibara et al.

(10) **Patent No.:** **US D657,596 S**
(45) **Date of Patent:** **** Apr. 17, 2012**

(54) **CONVERTIBLE BED**

(75) Inventors: **Mizuho Sakakibara**, Tokyo (JP); **Hideo Kawakami**, Osaka (JP); **Yohei Kume**, Osaka (JP); **Shohei Tsukada**, Osaka (JP); **Tohru Nakamura**, Osaka (JP)

(73) Assignee: **Panasonic Corporation**, Osaka (JP)

(**) Term: **14 Years**

(21) Appl. No.: **29/387,812**

(22) Filed: **Mar. 18, 2011**

(30) **Foreign Application Priority Data**

Sep. 22, 2010 (JP) 2010-022704

(51) **LOC (9) Cl.** **06-06**

(52) **U.S. Cl.** **D6/503**

(58) **Field of Classification Search** D6/382-384,
D6/392-395, 503, 505-508; 5/600, 607,
5/613, 200.1, 286, 663, 611, 619, 620, 722,
5/424, 425, 662, 53.1, 905

See application file for complete search history.

(56) **References Cited**

U.S. PATENT DOCUMENTS

1,401,639 A * 12/1921 Perron 108/3

3,093,836 A * 6/1963 Christensen et al. 5/600

5,826,286 A * 10/1998 Cranston 5/606
7,784,121 B2 * 8/2010 Ahlman 5/81.1 R
2007/0068429 A1 * 3/2007 Frazier 108/147

* cited by examiner

Primary Examiner — Janice Seeger

(74) *Attorney, Agent, or Firm* — Brinks Hofer Gilson & Lione

(57) **CLAIM**

We claim the ornamental design for a convertible bed, as shown and described.

DESCRIPTION

FIG. 1 is a top perspective view of a convertible bed of the present invention;

FIG. 2 is a front view thereof;

FIG. 3 is a rear view thereof;

FIG. 4 is a first side view thereof;

FIG. 5 is a second side view thereof;

FIG. 6 is a top view thereof;

FIG. 7 is a cross-section view taken along the line 7-7 of FIG. 2; and,

FIG. 8 is a top perspective view shown in an alternate position.

The broken line showing of convertible bed is included for the purpose of illustrating environment and forms no part of the claimed design. Additionally, the unevenly broken lines in the drawings define the limits of the claimed design.

1 Claim, 8 Drawing Sheets

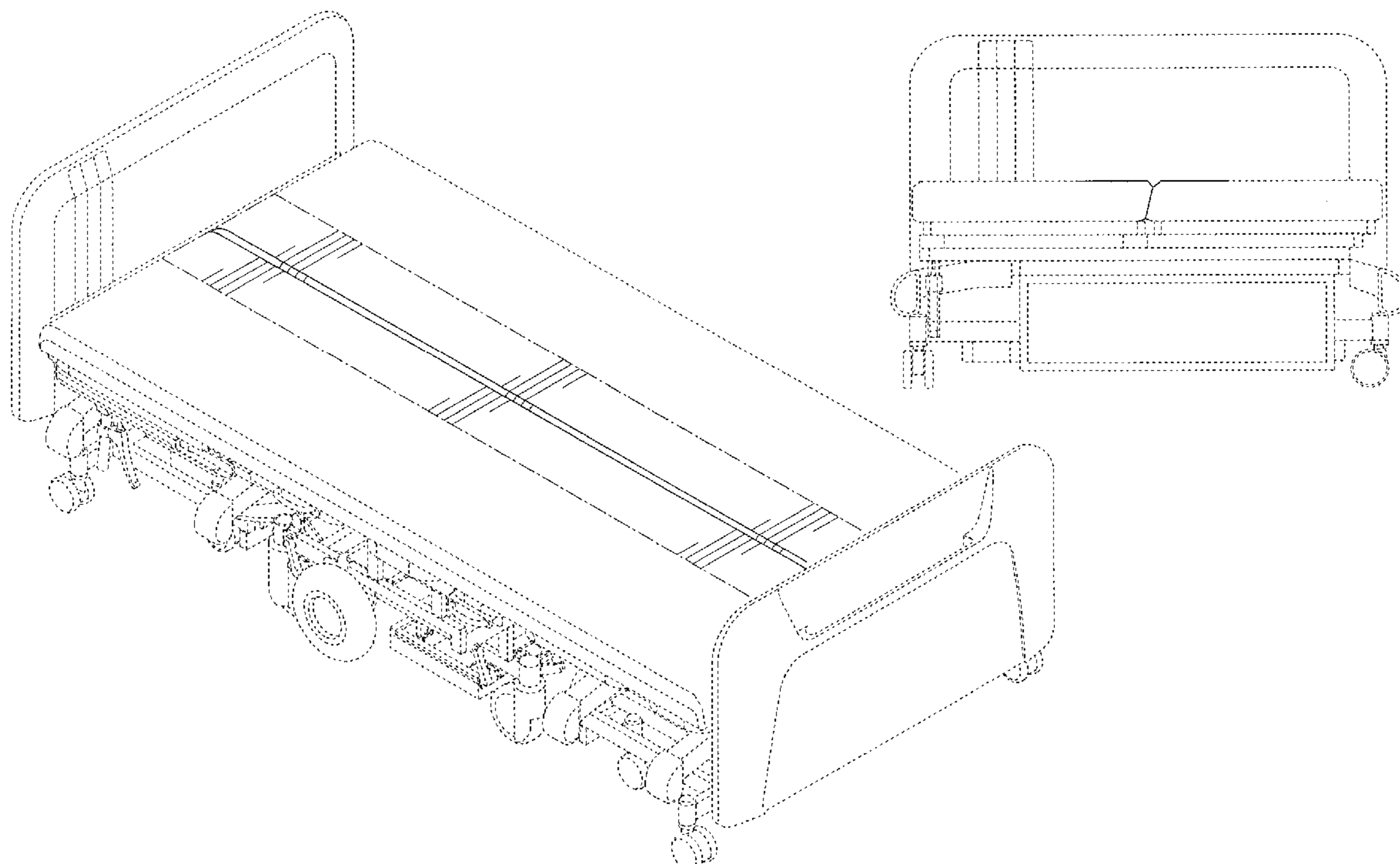


FIG.1

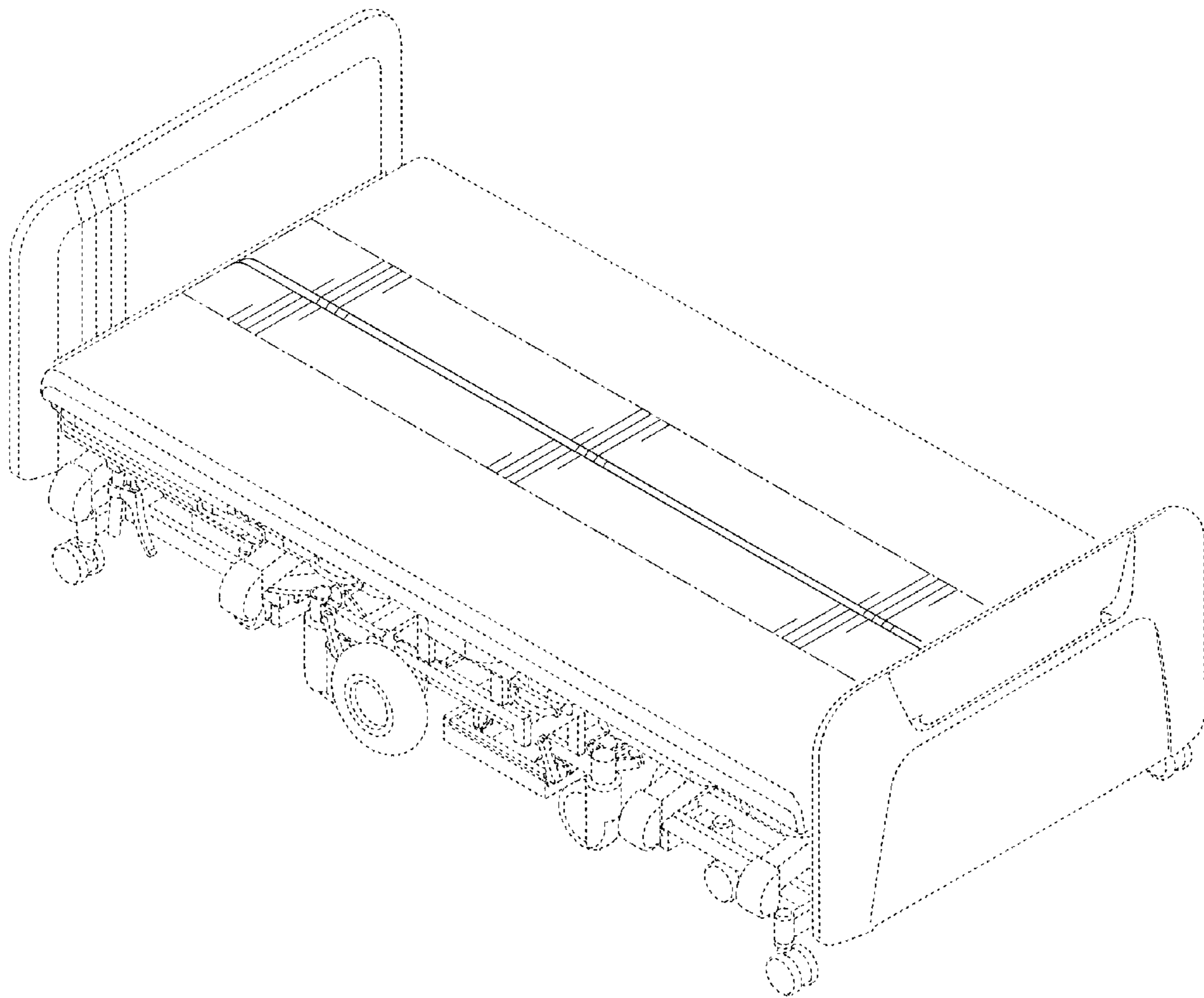


FIG.2

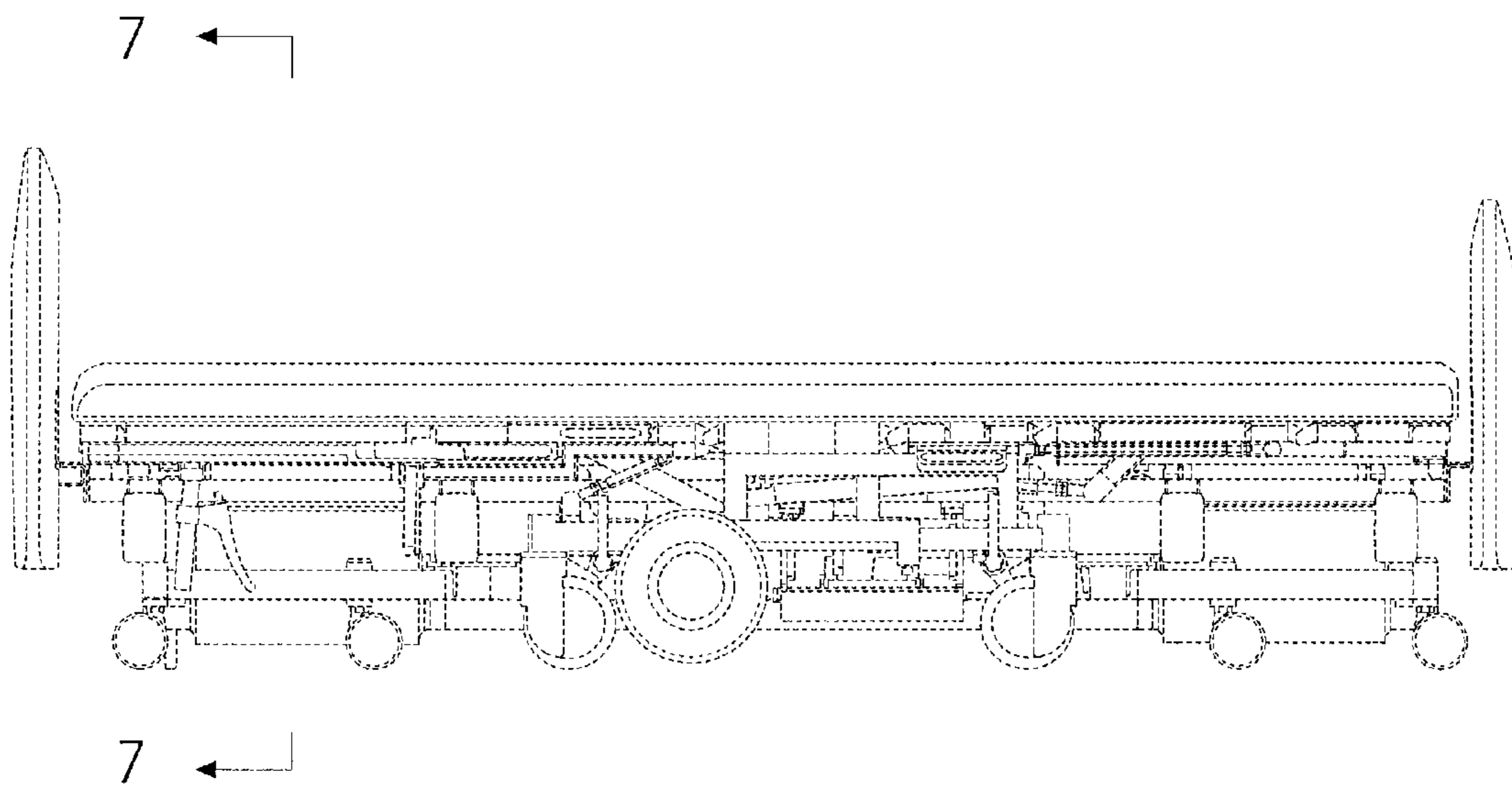


FIG.3

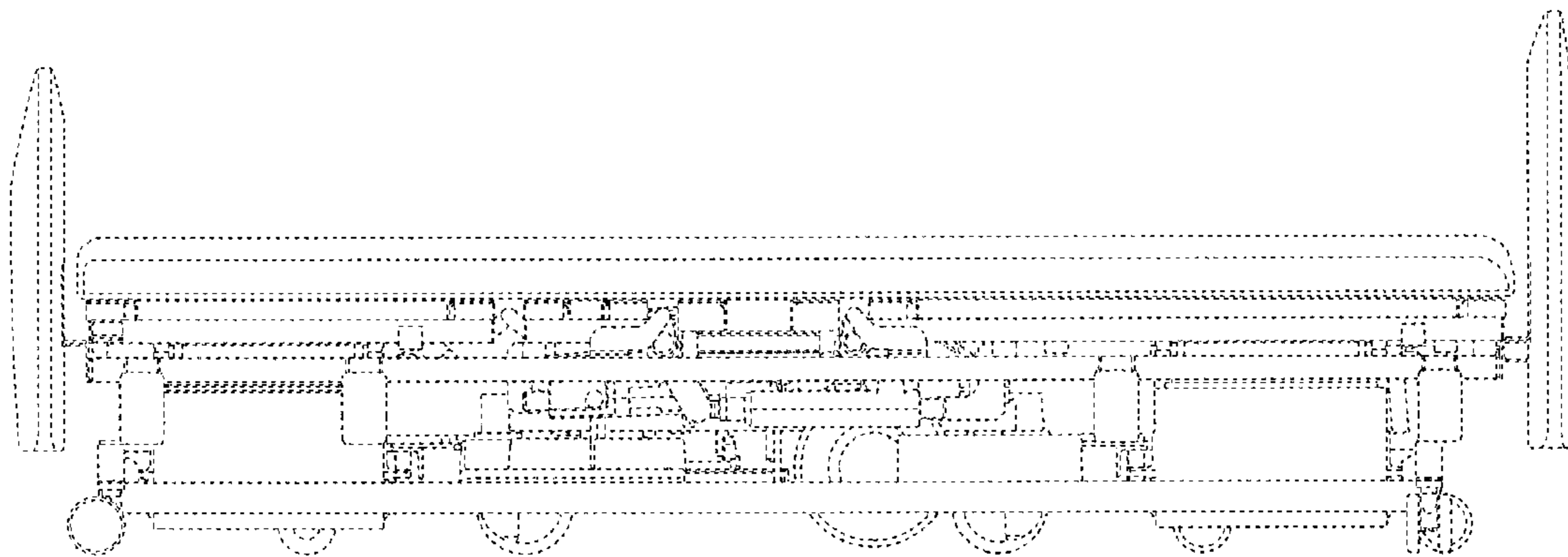


FIG.4

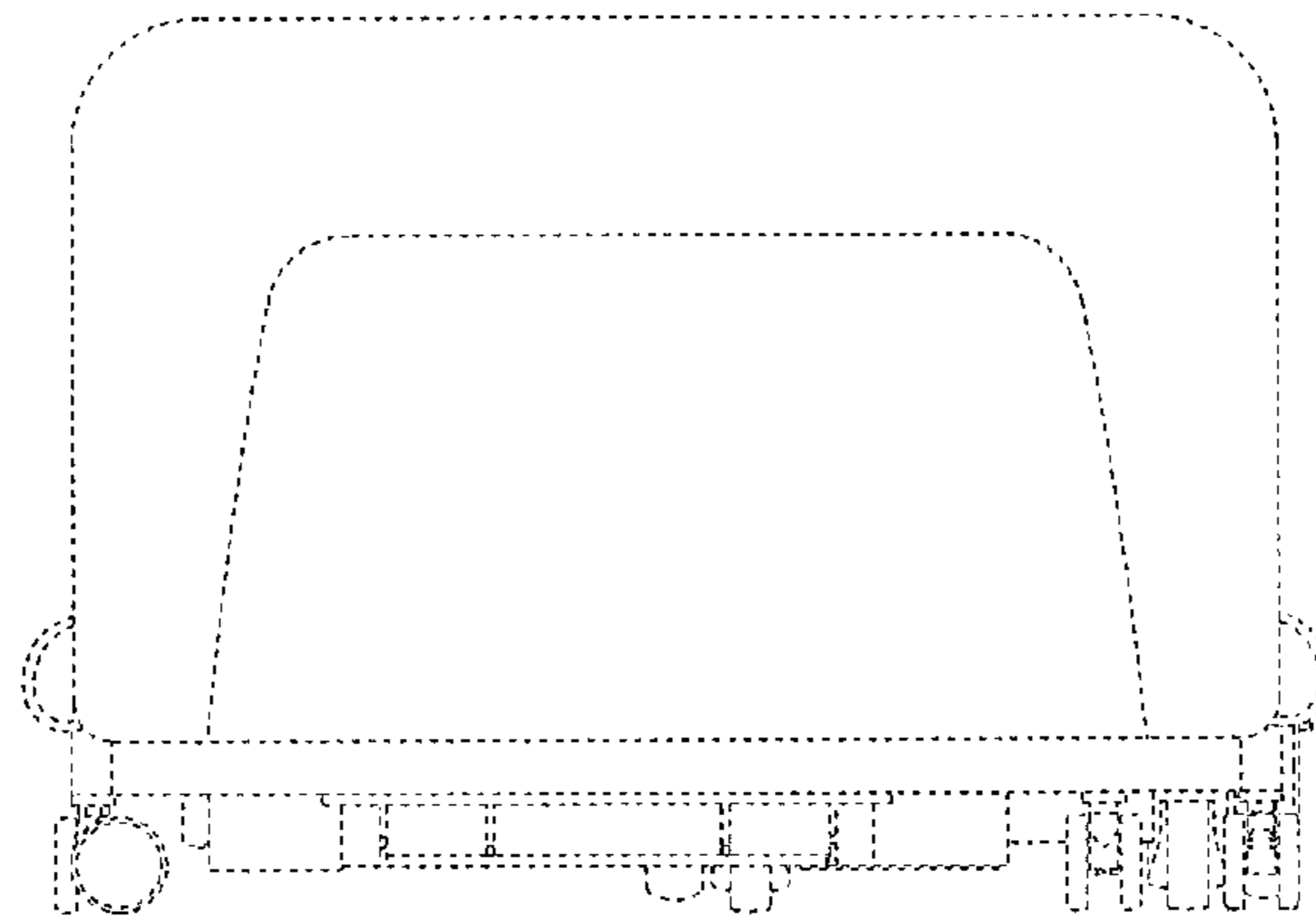


FIG.5

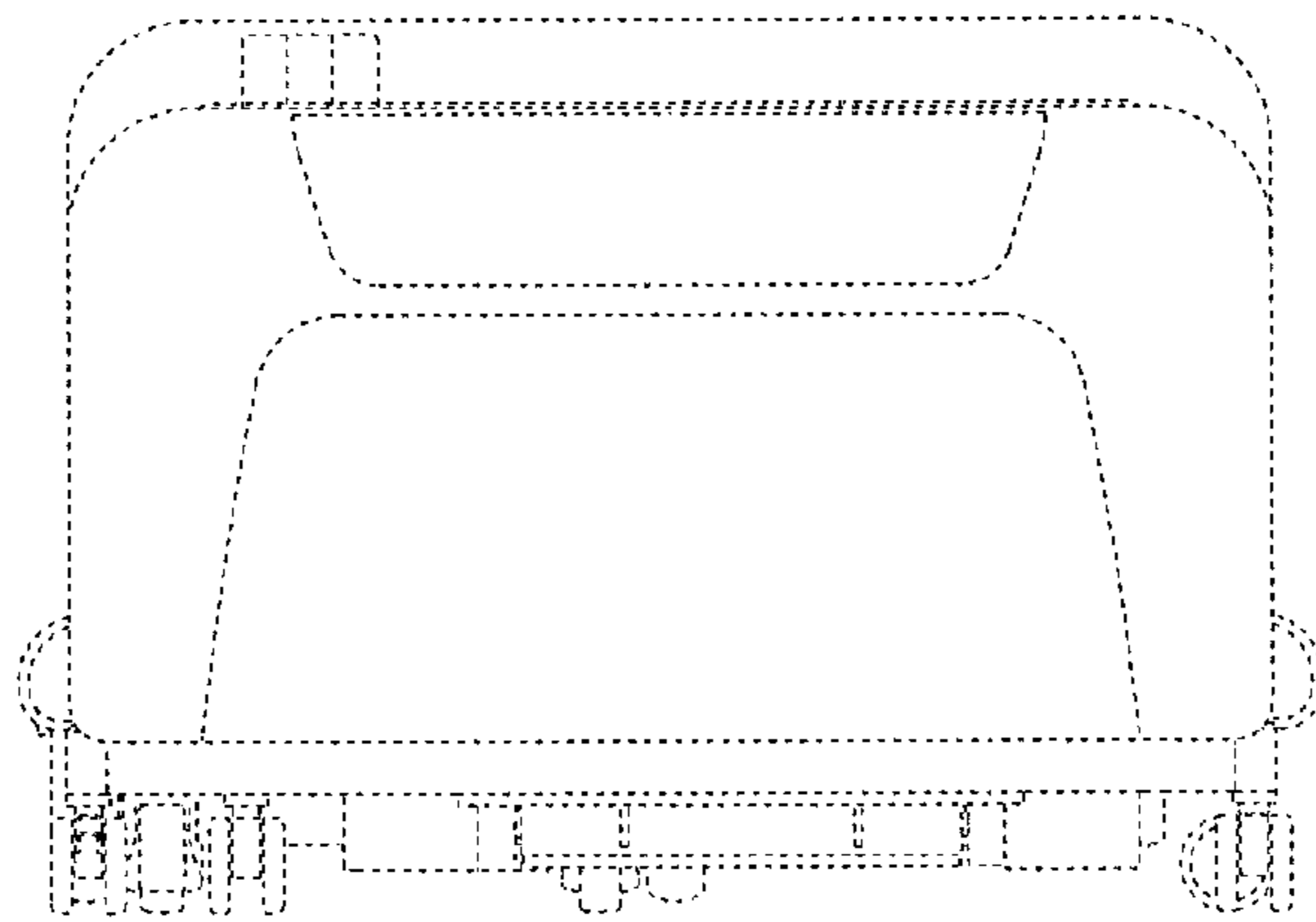


FIG.6

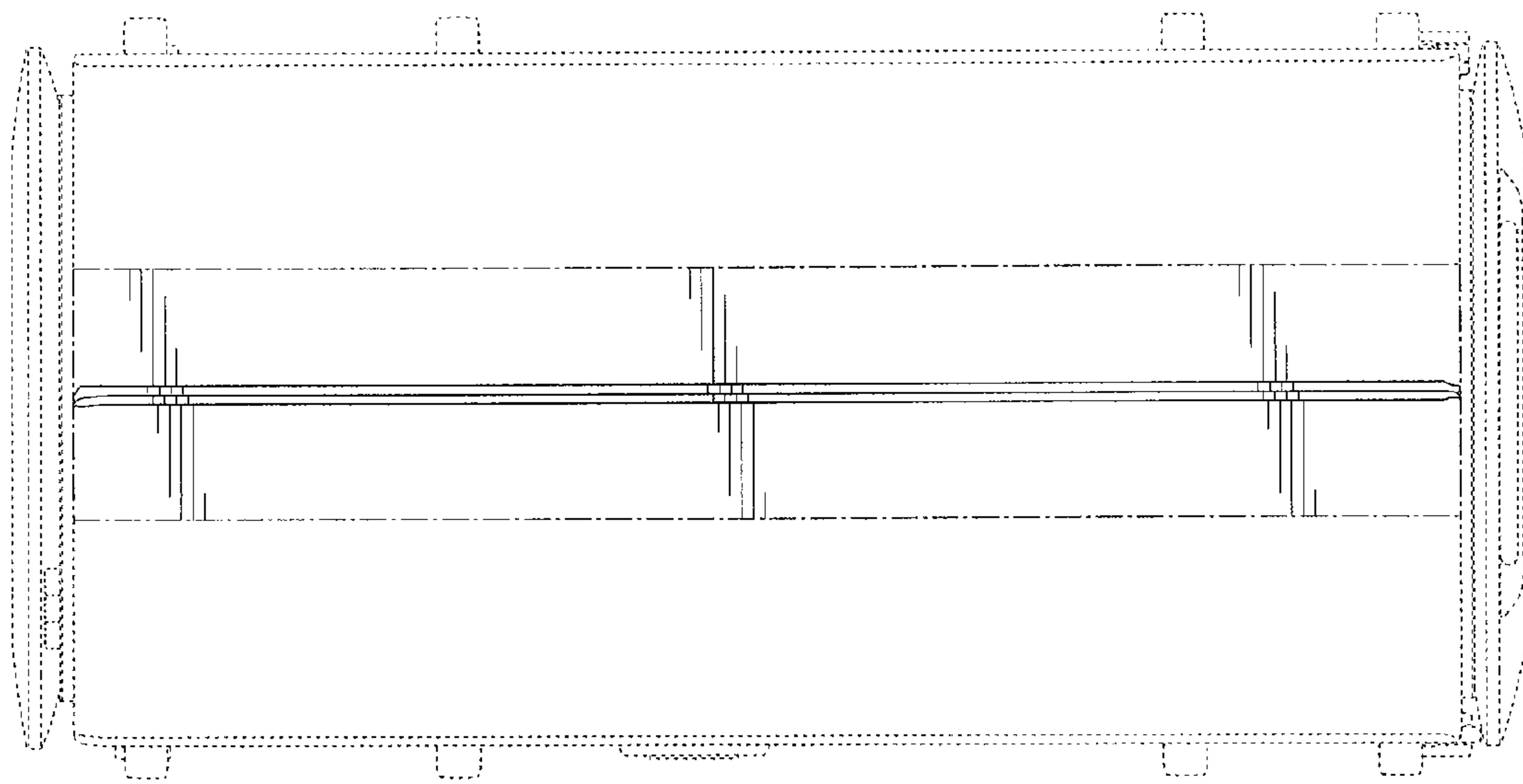


FIG.7

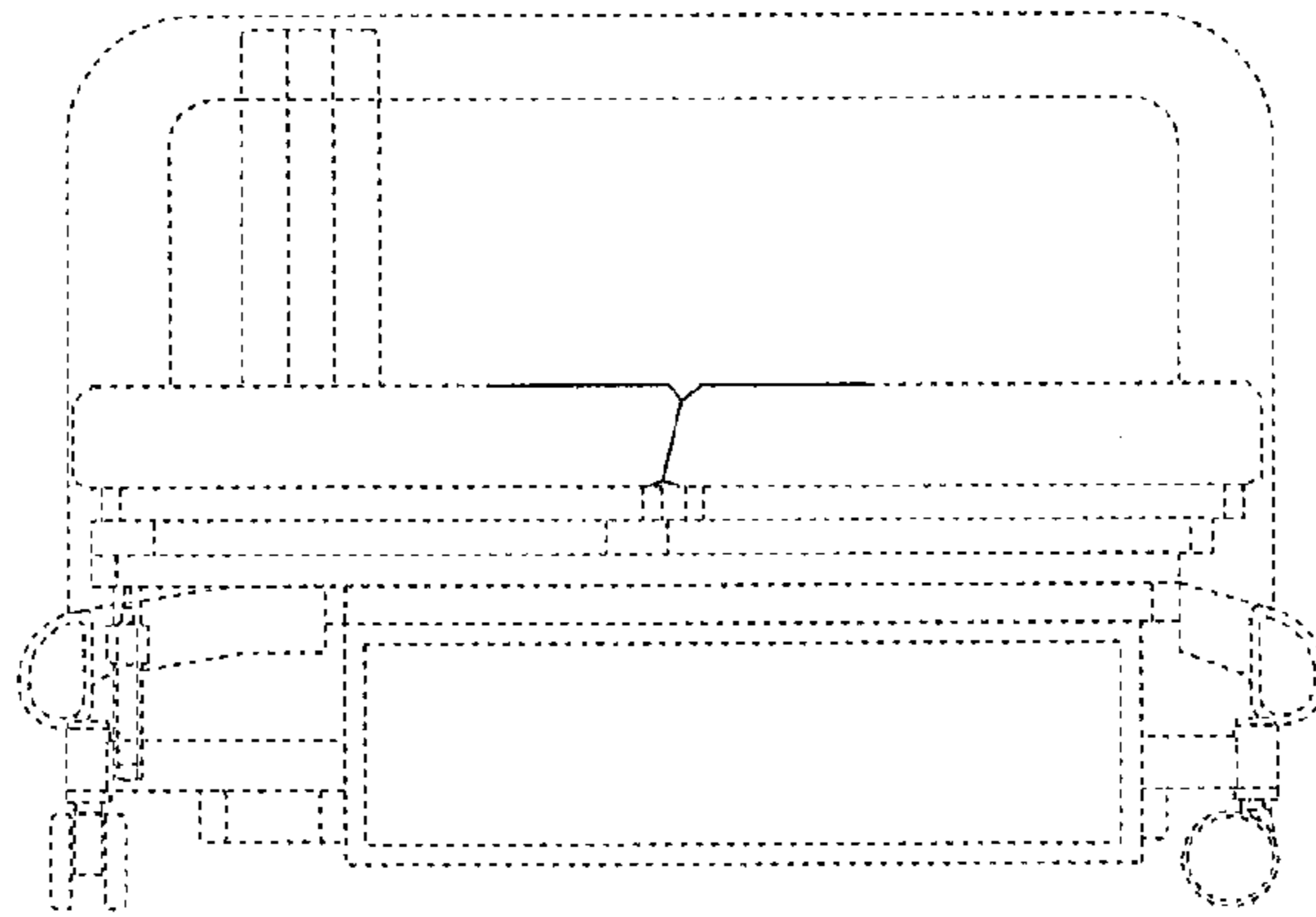


FIG.8

