



US00D657595S

(12) **United States Design Patent**
Ping et al.

(10) **Patent No.:** **US D657,595 S**
(45) **Date of Patent:** **** Apr. 17, 2012**

- (54) **CHAIR BACKREST AND SEAT**
- (75) Inventors: **Li Ping**, Zhejiang Province (CN); **Chris Ross**, Pontotoc, MS (US); **Chris Burgett**, Saltillo, MS (US)
- (73) Assignee: **Ashley Furniture Industries, Inc.**, Arcadia, WI (US)
- (**) Term: **14 Years**
- (21) Appl. No.: **29/398,284**
- (22) Filed: **Jul. 28, 2011**
- (51) **LOC (9) Cl.** **06-01**
- (52) **U.S. Cl.** **D6/500; D6/365**
- (58) **Field of Classification Search** D6/334-336, D6/344, 364, 365, 366, 367, 368, 500-502; 297/317, 344.21, 451.4, 451.5, 452.16, 452.26, 297/452.27, 452.35, 452.36, 452.37, 411.46
See application file for complete search history.

- D408,164 S 4/1999 Popham
- D411,053 S 6/1999 Lewis
- D411,687 S 6/1999 Lewis
- D414,347 S 9/1999 Lewis
- (Continued)

OTHER PUBLICATIONS

Photo of "9587" Chair, (Nov. 17, 2010). 1 page.
(Continued)

Primary Examiner — Mimoso De
(74) *Attorney, Agent, or Firm* — Patterson Thuent Christensen Pedersen, P.A.

(57) **CLAIM**
We claim the ornamental design for chair backrest and seat, as shown and described.

DESCRIPTION

FIG. 1 is a front perspective view of a chair backrest and seat of the invention. The view from the opposite side being a mirror image thereof.

FIG. 2 is a side view of a chair backrest and seat of the invention. The view from the opposite side being an identical mirror image thereof.

FIG. 3 is a front elevational view of a chair backrest and seat of the invention; and,

FIG. 4 is a top plan view of a chair backrest and seat of the invention.

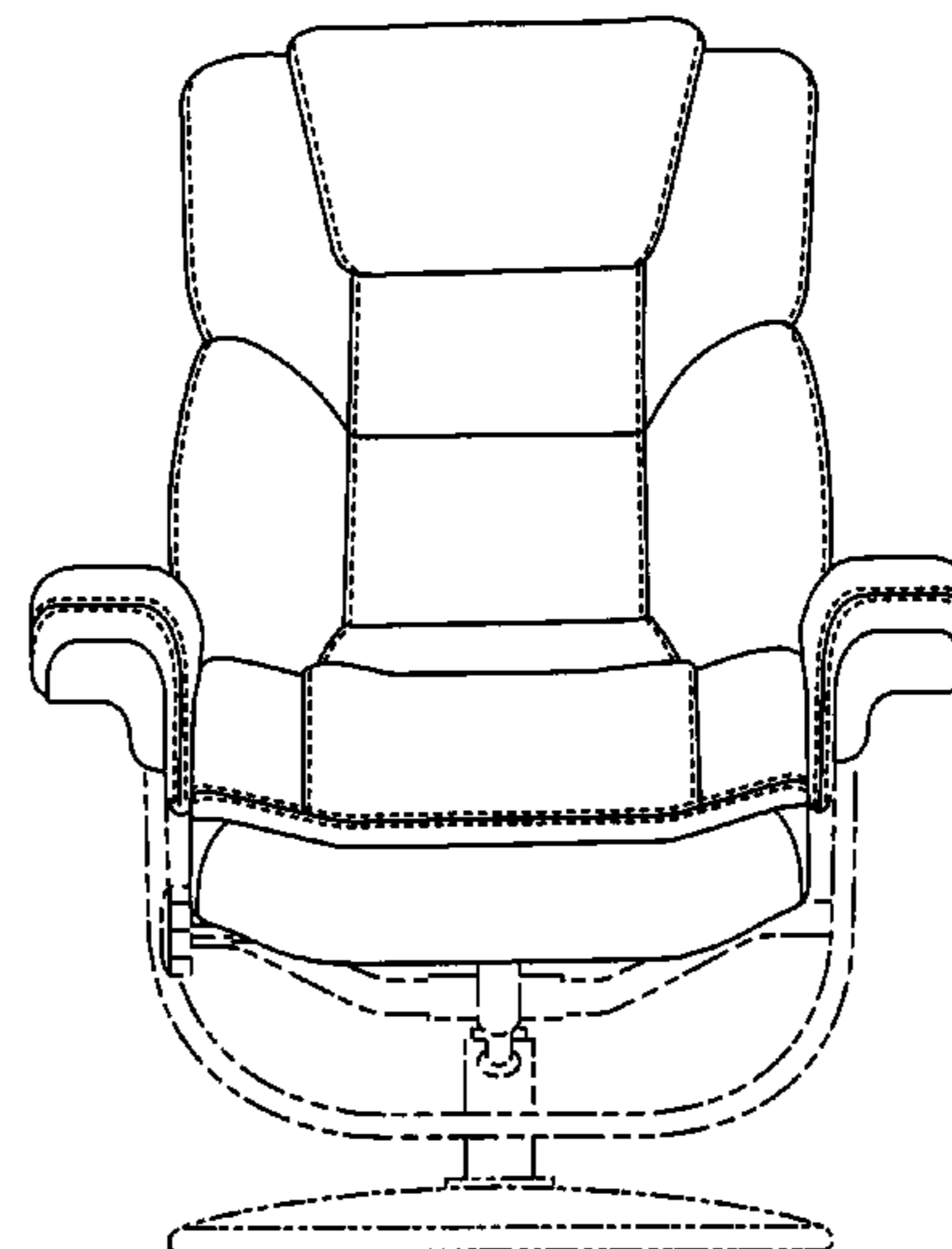
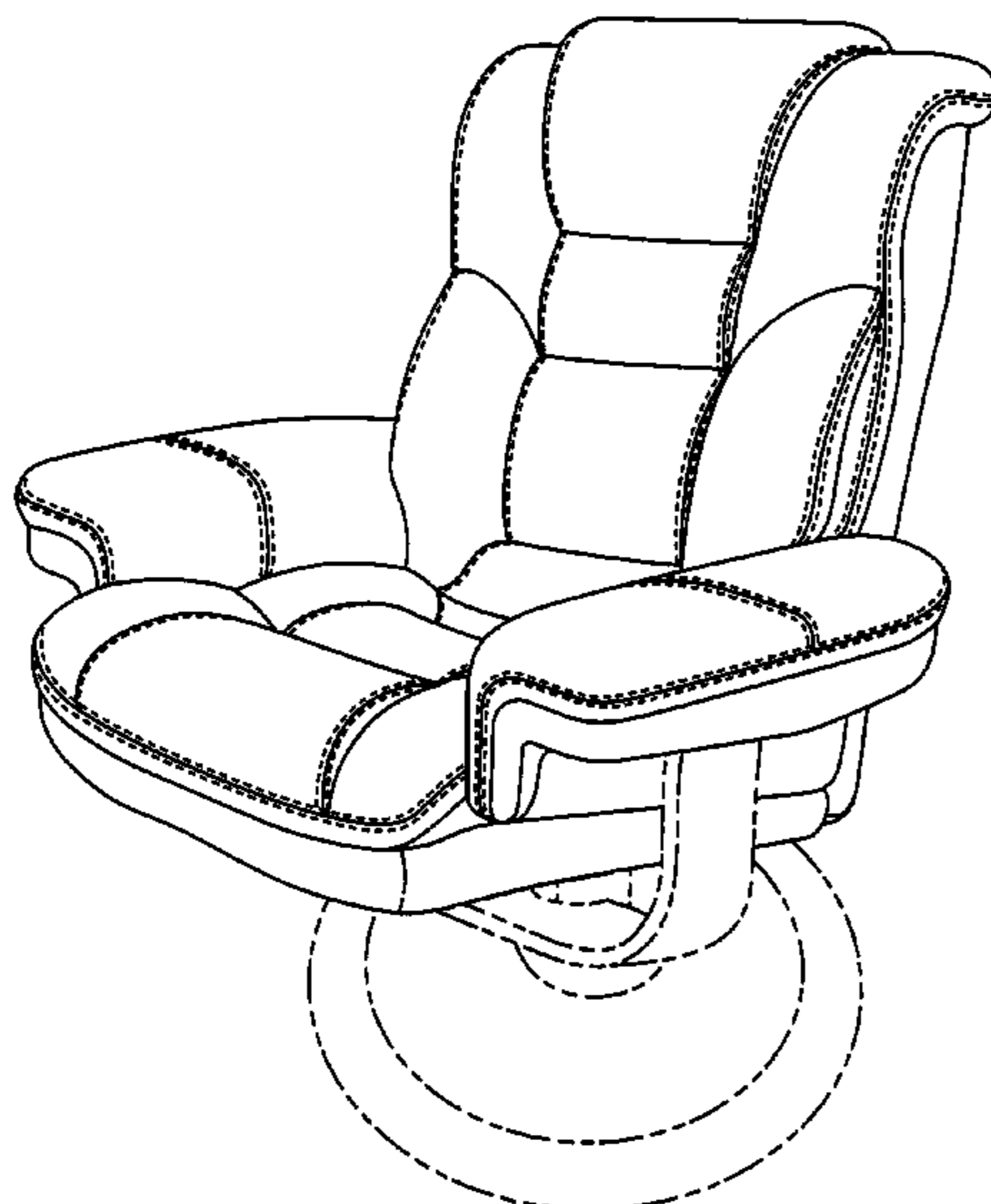
The short, broke lines on the chair backrest and seat in FIGS. 1-4 are understood to represent stitching for illustrative purposes only and form no part of the claimed invention. The other dashed lines, comprising two short and one long dashed line, in the figures showing other parts of the chair being for illustrative purposes only and form no part of the claimed invention.

The backside of the chair is not shown and forms no part of the claimed invention.

(56) **References Cited**
U.S. PATENT DOCUMENTS

D280,786 S	10/1985	Platner
D282,221 S	1/1986	Platner
D286,105 S	10/1986	Goldman
4,768,829 A	9/1988	Goldman
D304,393 S	11/1989	Lange, Jr.
D334,673 S	4/1993	Robison
D335,582 S	5/1993	Desnoyers
D335,967 S	6/1993	Robison
D351,509 S	10/1994	Goldberg
D352,610 S	11/1994	Natuzzi
D364,283 S	11/1995	Zaidman
D376,265 S	12/1996	Lewis
D380,093 S	6/1997	Lewis
D381,819 S	8/1997	Lewis
D388,982 S	1/1998	Desnoyers
D395,963 S	7/1998	Lewis
D403,169 S	12/1998	Tseng
D405,282 S	2/1999	Desnoyers et al.

1 Claim, 4 Drawing Sheets



US D657,595 S

U.S. PATENT DOCUMENTS

D414,630 S	10/1999	Buscio et al.	
D414,631 S	10/1999	Zaidman	
D414,965 S	10/1999	Zaidman	
D415,372 S	10/1999	Zaidman	
D415,373 S	10/1999	Zaidman	
D415,638 S	10/1999	Zaidman	
D417,982 S	12/1999	Zaidman	
D420,820 S	2/2000	Lewis	
D430,739 S	9/2000	Palumbo	
D430,742 S	9/2000	Lewis	
D430,974 S	9/2000	Yang	
D432,320 S	10/2000	Lewis	
D436,745 S	1/2001	Lewis	
D436,746 S	1/2001	Lewis	
D437,126 S	2/2001	Denton	
D437,131 S	2/2001	Tseng	
D441,993 S	5/2001	Lin	
D446,410 S	8/2001	Chen	
D447,880 S	9/2001	Lewis	
D451,314 S	12/2001	Tseng	
D451,316 S	12/2001	Tseng	
D451,716 S	12/2001	Tseng	
D454,014 S	3/2002	Su	
D454,704 S	3/2002	Lewis	
D459,095 S	6/2002	Lewis	
D459,599 S	7/2002	Zaidman	
D460,885 S	7/2002	Silva	
D463,172 S	9/2002	Tsai	
D463,692 S	10/2002	Chi	
D467,442 S	12/2002	Zaidman	
D467,746 S	12/2002	Zaidman	
D467,747 S	12/2002	Zaidman	
D468,119 S	1/2003	Zaidman	
D468,120 S	1/2003	Zaidman	
D468,123 S	1/2003	Zaidman	
D471,728 S	3/2003	Tseng	
D474,901 S	5/2003	Lewis	
D474,902 S	5/2003	Lewis	
D476,491 S	7/2003	Lewis	
D476,492 S	7/2003	Yamamoto	
D487,987 S	4/2004	Wu	
D490,617 S	6/2004	Lowman	
D491,398 S	6/2004	True	
D492,494 S	7/2004	Tai	
D494,390 S	8/2004	True	
D494,391 S	8/2004	True	
D494,788 S	8/2004	True	
D494,790 S	8/2004	True	
D495,168 S	8/2004	True	
D495,169 S	8/2004	True	
D495,170 S	8/2004	True	
D495,907 S	9/2004	True	
D503,547 S	4/2005	Lowman	
D504,040 S	4/2005	True	
D505,799 S	6/2005	Huang	
D508,351 S	8/2005	True	
D508,352 S	8/2005	True	
D508,790 S	8/2005	Natuzzi	
D509,074 S	9/2005	Westendorf	
D510,215 S	10/2005	True	
D511,260 S	11/2005	True	
D518,319 S	4/2006	True	
D530,935 S	10/2006	Huang	
D531,421 S	11/2006	Egger	
D531,422 S	11/2006	Huang	
D531,433 S	11/2006	Johnson	
D531,434 S	* 11/2006	True	D6/500
D532,223 S	11/2006	True	
D532,225 S	* 11/2006	Egger	D6/500
D532,227 S	11/2006	Smith	
D532,628 S	11/2006	Egger	
D532,629 S	11/2006	True	
D532,631 S	11/2006	Egger	
D532,632 S	11/2006	Egger	
D532,633 S	11/2006	Smith	
D533,376 S	12/2006	Vong	
D533,377 S	12/2006	Egger	
D534,020 S	12/2006	Smith	

D534,747 S	1/2007	True	
D535,127 S	1/2007	Egger	
D535,128 S	1/2007	Egger	
D535,499 S	1/2007	True	
D535,501 S	1/2007	Egger	
D535,502 S	1/2007	Egger	
D535,503 S	1/2007	Smith	
D535,839 S	1/2007	Johnson	
D536,200 S	2/2007	Vong	
D536,554 S	2/2007	True	
D536,555 S	2/2007	Egger	
D537,278 S	2/2007	Egger	
D537,279 S	2/2007	Smith	
D537,660 S	3/2007	True	
D537,661 S	3/2007	McDiarmid	
D537,662 S	3/2007	McDiarmid	
D537,663 S	3/2007	Johnson	
D538,071 S	3/2007	Egger	
D538,072 S	3/2007	McDiarmid	
D538,073 S	3/2007	McDiarmid	
D538,558 S	3/2007	Egger	
D539,044 S	3/2007	Solheim	
D540,573 S	4/2007	Smith	
D542,574 S	5/2007	Johnson	
D543,399 S	5/2007	Johnson	
D543,716 S	* 6/2007	Votteler et al.	D6/366
D547,558 S	7/2007	Egger	
D555,376 S	11/2007	Lade	
D557,530 S	12/2007	Egger	
D557,531 S	12/2007	Johnson	
D557,947 S	12/2007	Egger	
D558,468 S	1/2008	Lade	
D558,469 S	1/2008	Lade	
D561,502 S	2/2008	Egger	
D561,504 S	2/2008	Smith	
D566,435 S	4/2008	Grove	
D566,437 S	4/2008	Egger	
D569,116 S	5/2008	Tsai	
D572,050 S	7/2008	Tamara	
D575,069 S	8/2008	Potter	
D583,597 S	12/2008	Egger	
D584,082 S	1/2009	Nguyen	
D585,221 S	1/2009	Egger	
D593,343 S	6/2009	True	
D593,344 S	6/2009	True	
D596,428 S	7/2009	True	
D596,429 S	7/2009	Egger	
D597,350 S	8/2009	Tamara	
D597,772 S	8/2009	True	
D598,682 S	8/2009	Egger	
D601,359 S	10/2009	Wold	
D601,828 S	10/2009	Wold	
D606,781 S	12/2009	Hernandez	
D614,894 S	5/2010	Queally	
D614,895 S	5/2010	Queally	

OTHER PUBLICATIONS

Photo of Lane Furniture "Angelo" Chair, (prior to Jan. 29, 2010). 1 page.

Photo of Lane Furniture "Boca" Chair, (prior to Jan. 29, 2010). 1 page.

Photo of Lane Furniture "Andre" Chair, (prior to Jan. 29, 2010). 1 page.

Photo of Lane Furniture "Impulse" Chair, (prior to Jan. 29, 2010). 1 page.

Application and File History for U.S. Appl. No. 29/378,926, filed Nov. 11, 2010, inventors Ping et al.

Application and File History for U.S. Appl. No. 29/378,928, filed Nov. 11, 2010, inventors Ping et al.

Application and File History for U.S. Appl. No. 29/378,929, filed Nov. 11, 2010, inventors Ping et al.

Application and File History for U.S. Appl. No. 29/376,856, filed Oct. 13, 2010, inventors Ping et al.

Application and File History for U.S. Appl. No. 29/376,857, filed Oct. 13, 2010, inventors Ping et al.

Application and File History for U.S. Appl. No. 29/378,935, filed Nov. 11, 2010, inventors Ping et al.

US D657,595 S

Page 3

Application and File History for U.S. Appl. No. 29/376,861, filed Oct. 13, 2010, inventors Ping et al.

Application and File History for U.S. Appl. No. 29/398,283, filed Jul. 28, 2011, inventors Ping et al.

Application and File History for U.S. Appl. No. 29/398,282, inventors Ping et al.

* cited by examiner

Fig. 1

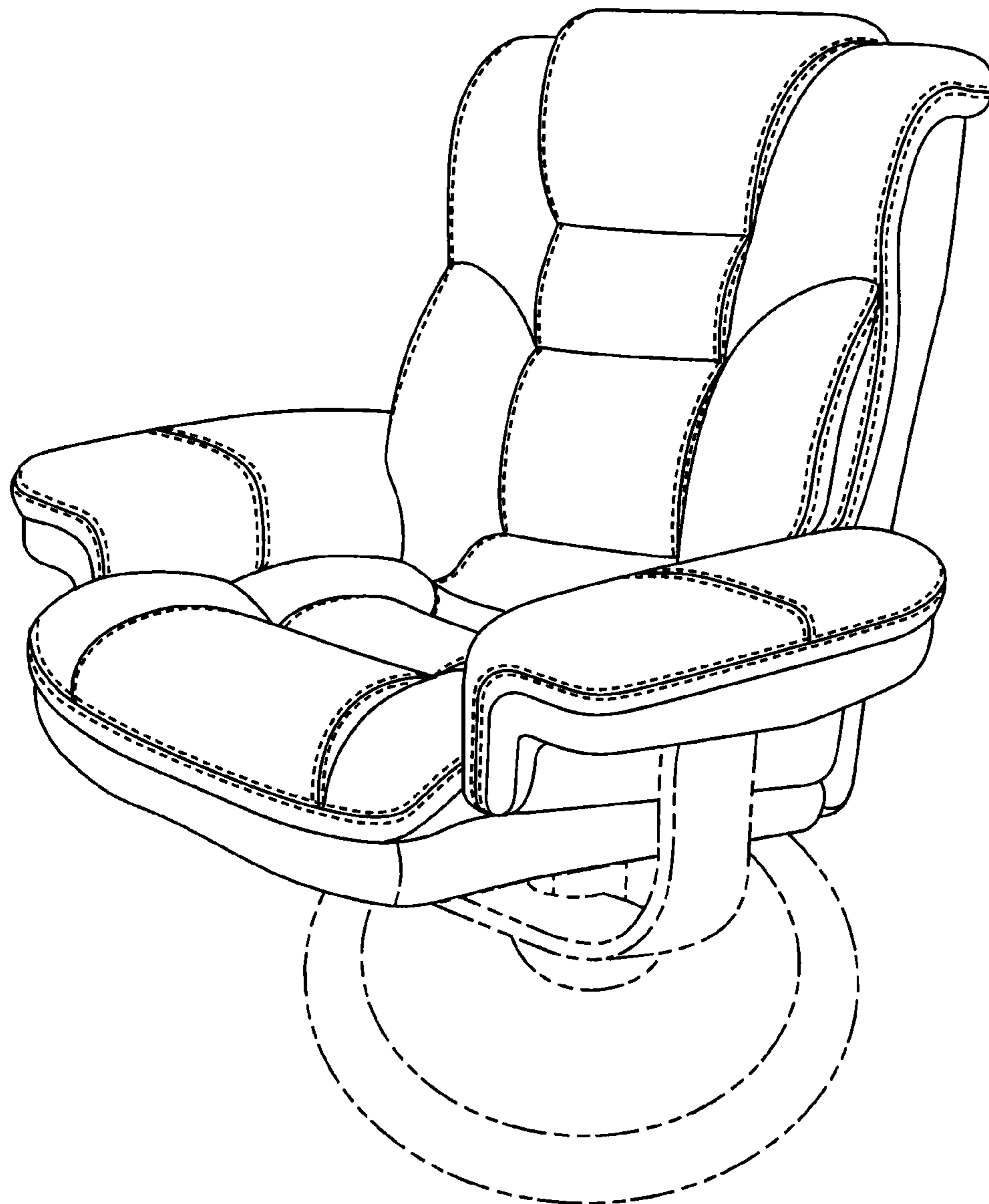


Fig. 2

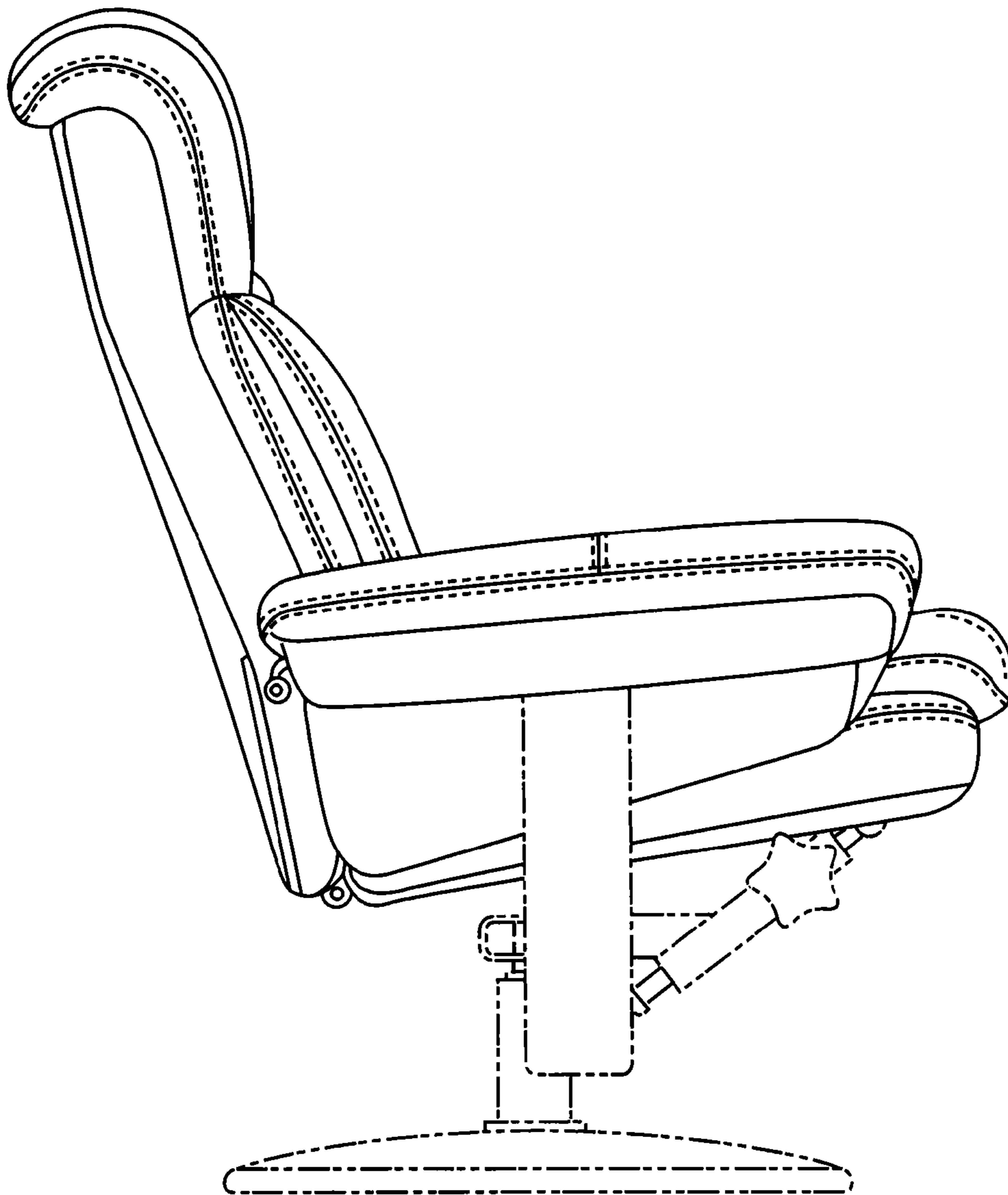


Fig. 3

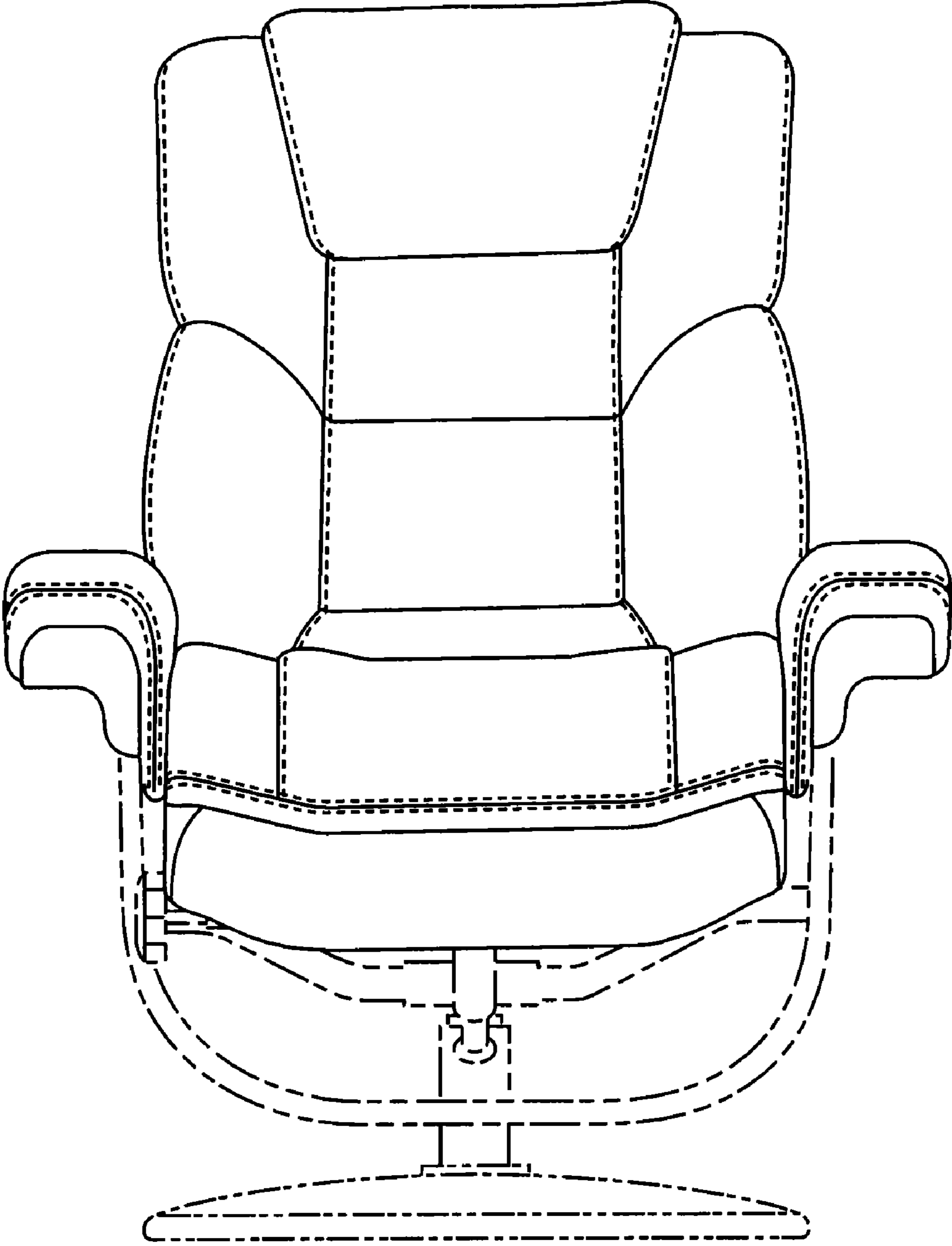


Fig. 4

