



US00D657594S

(12) **United States Design Patent**
Knight et al.

(10) **Patent No.:** **US D657,594 S**

(45) **Date of Patent:** **** Apr. 17, 2012**

(54) **CHAIR**

(75) Inventors: **Steven R. Knight**, Centennial, CO (US);
Simon Liao, Nantou (TW)

(73) Assignee: **Crown Seating, LLC**, Centennial, CO
(US)

(**) Term: **14 Years**

(21) Appl. No.: **29/386,024**

(22) Filed: **Feb. 23, 2011**

(51) **LOC (9) Cl.** **06-01**

(52) **U.S. Cl.** **D6/500; D6/366**

(58) **Field of Classification Search** D6/334-336,
D6/360, 364, 365, 366, 367, 369, 374, 379,
D6/380, 500-502; 297/284.4, 354.1, 354.11,
297/451.9, 452.13, 452.21, 452.29, 452.3,
297/452.56

See application file for complete search history.

(56) **References Cited**

U.S. PATENT DOCUMENTS

D108,940 S	3/1938	Gabb	
D165,322 S	* 12/1951	Burdick	D6/366
D227,057 S	* 6/1973	Buhk	D6/366
D227,953 S	* 7/1973	Prizlow	D6/366
D233,807 S	* 12/1974	Ruf	D6/366

D267,680 S	* 1/1983	Leffler et al.	D6/366
D275,242 S	* 8/1984	Stephens	D6/360
D277,443 S	* 2/1985	Murry	D6/366
D283,762 S	5/1986	Caruso	
D289,708 S	5/1987	Rykken	
D308,606 S	* 6/1990	Behringer	D6/366
D311,287 S	* 10/1990	Behringer	D6/366
D326,578 S	6/1992	Kaye	
D463,178 S	* 9/2002	Chu	D6/502
D540,050 S	* 4/2007	Su	D6/366
D583,595 S	* 12/2008	Knowles et al.	D6/500

* cited by examiner

Primary Examiner — Mimoso De

(74) *Attorney, Agent, or Firm* — Margaret Polson; Oppedahl
Patent Law Firm LLC

(57) **CLAIM**

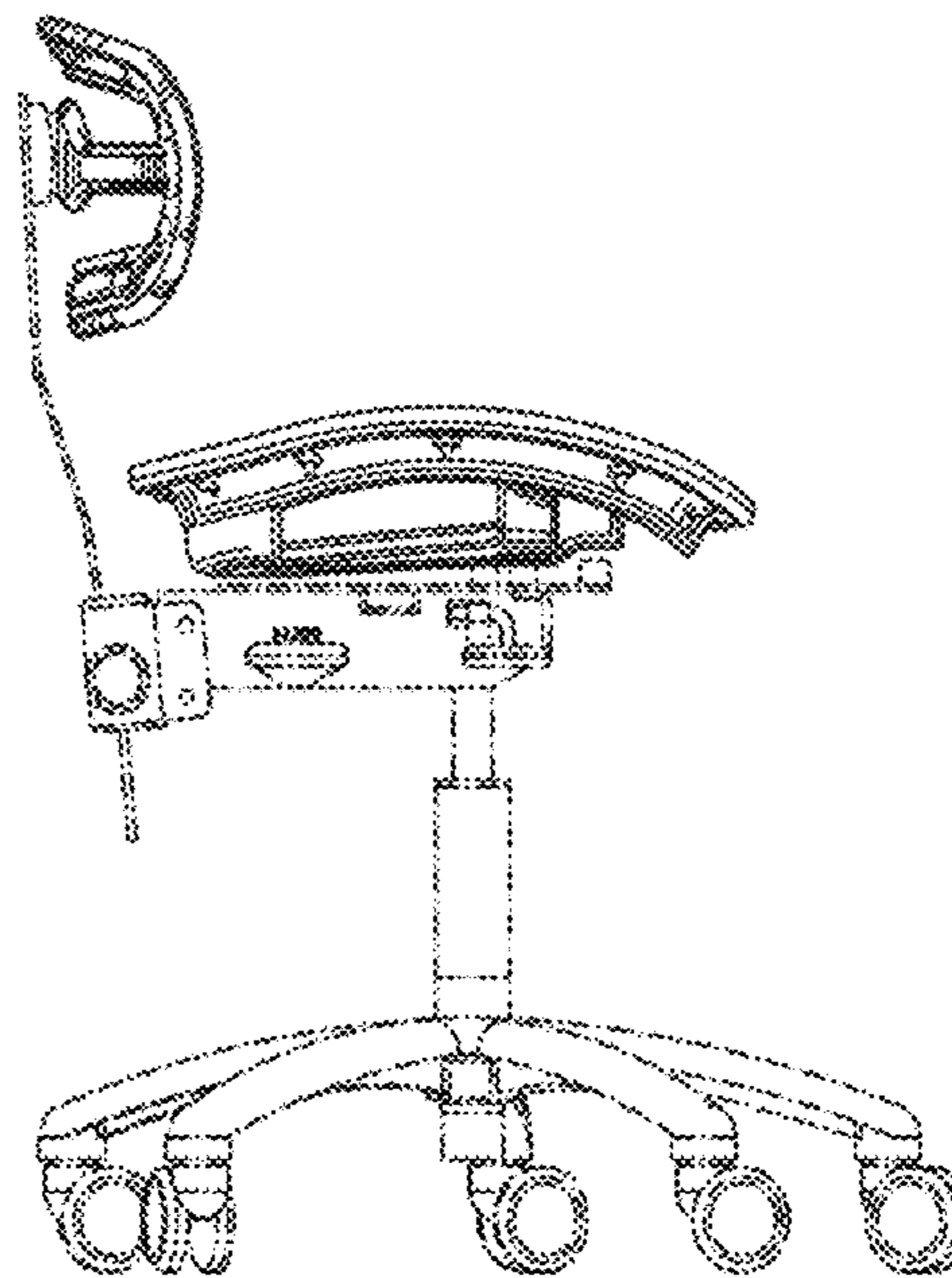
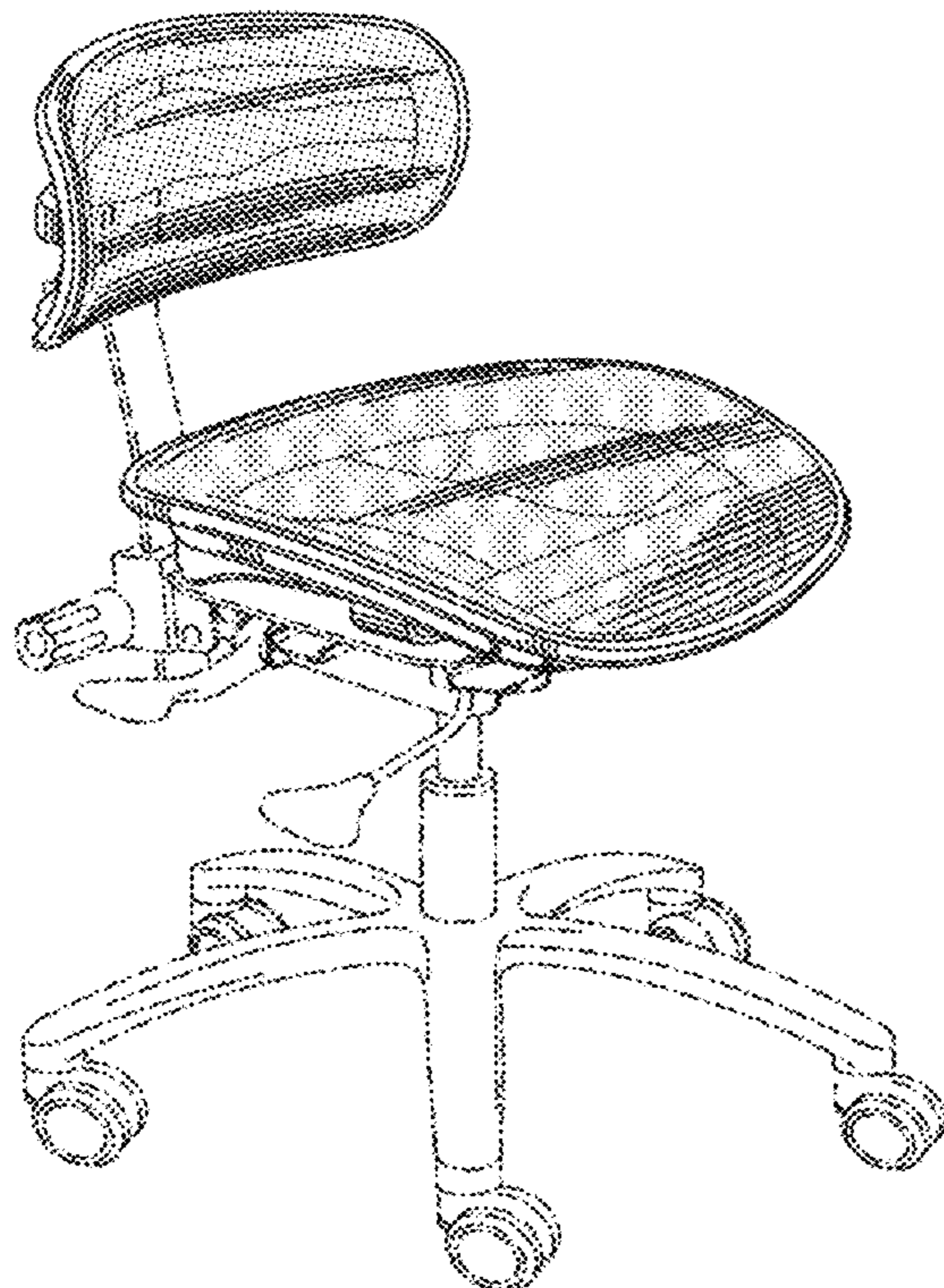
The ornamental design for a chair, as shown and described.

DESCRIPTION

FIG. 1 is a top perspective view of my new design for a chair.
FIG. 2 is a front side elevation view of FIG. 1.
FIG. 3 is a back side elevation view of FIG. 1.
FIG. 4 is a right side elevation view of FIG. 1.
FIG. 5 is a left side elevation view of FIG. 1.
FIG. 6 is top plan view of FIG. 1; and,
FIG. 7 is a bottom plan view of FIG. 1.

The irregular broken lines in all figures indicate environmental matter and form no part of the claimed design.

1 Claim, 4 Drawing Sheets



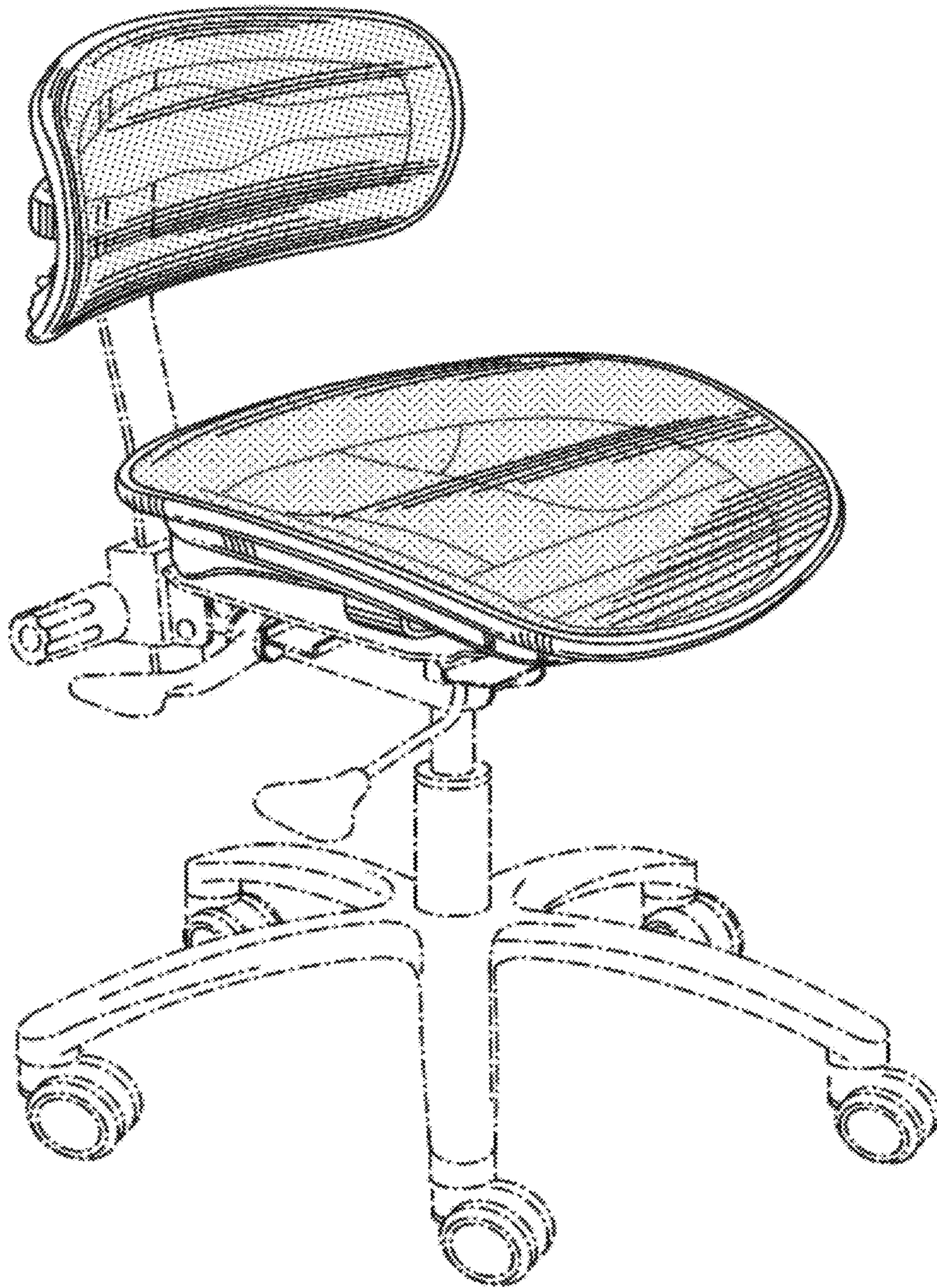


FIG. 1

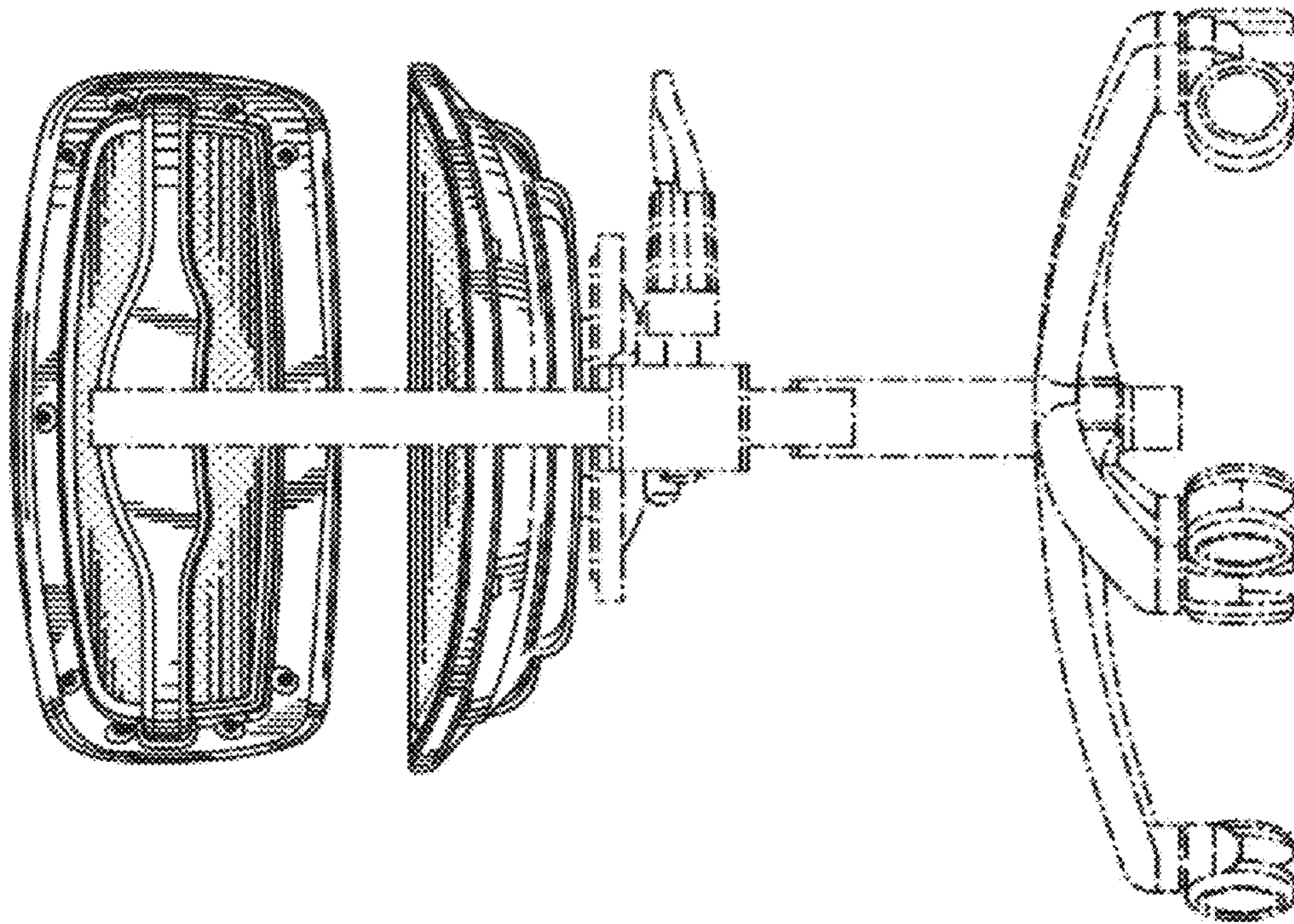


FIG.3

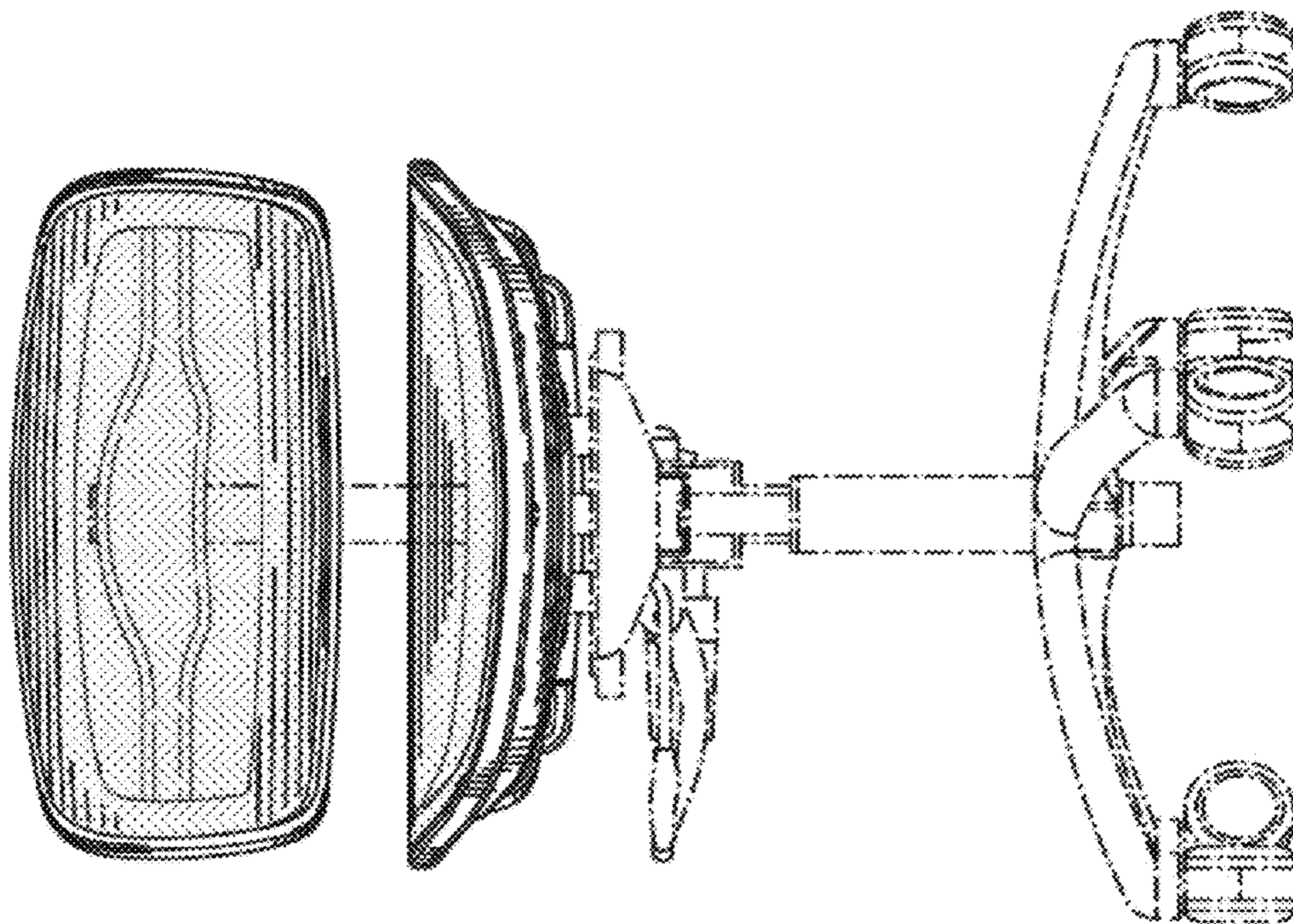


FIG.2

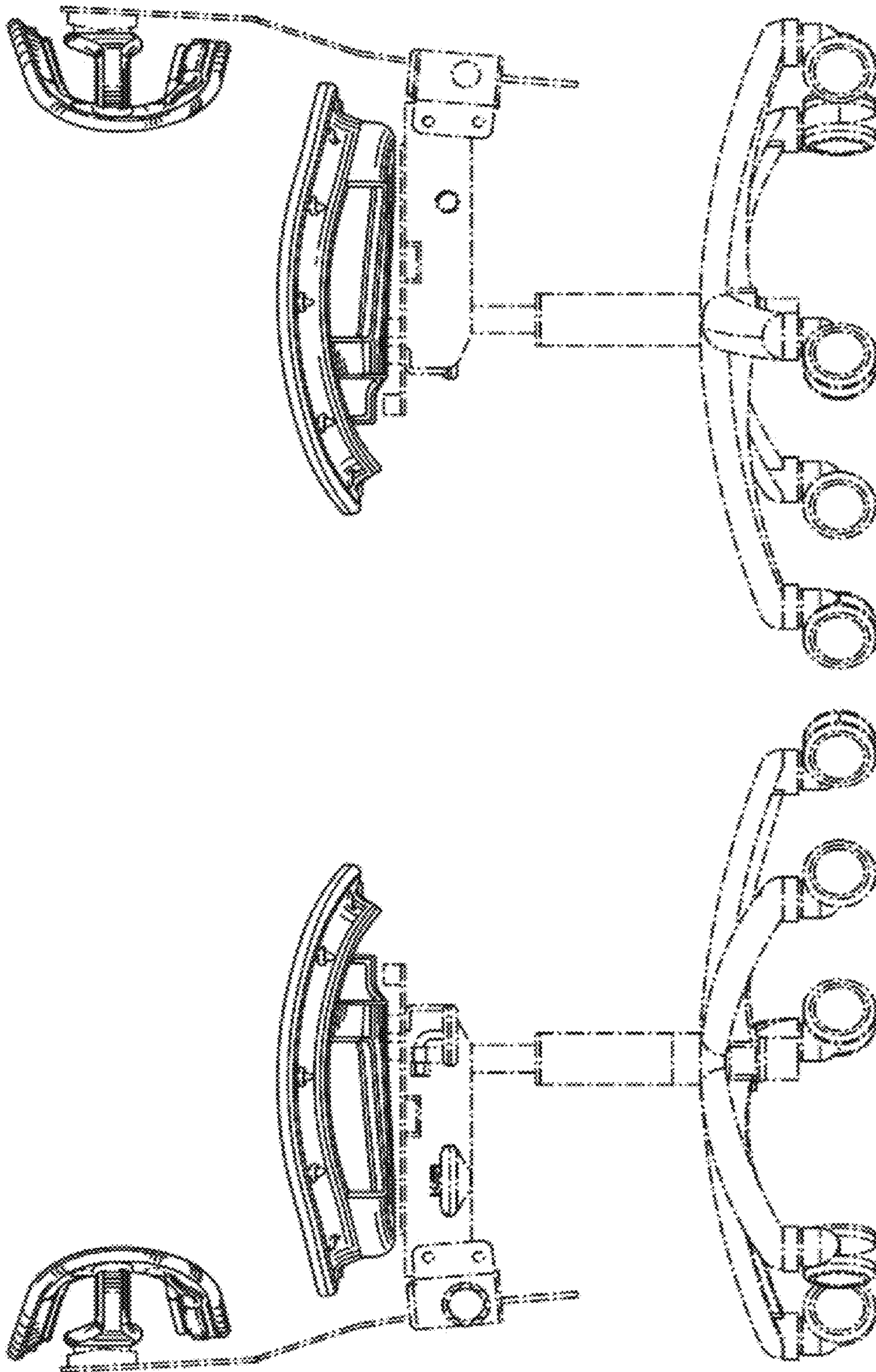


FIG.5

FIG.4

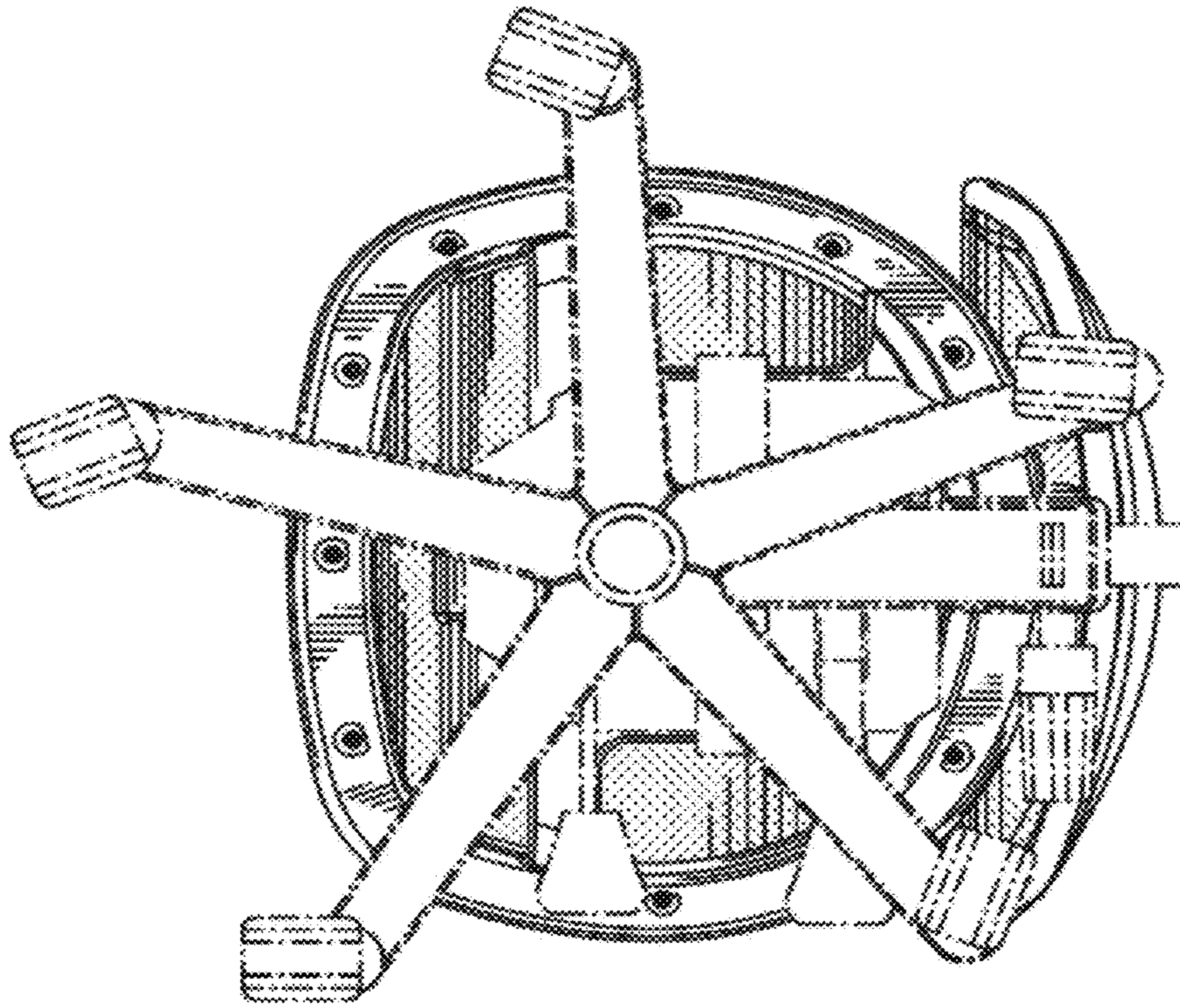


FIG. 7

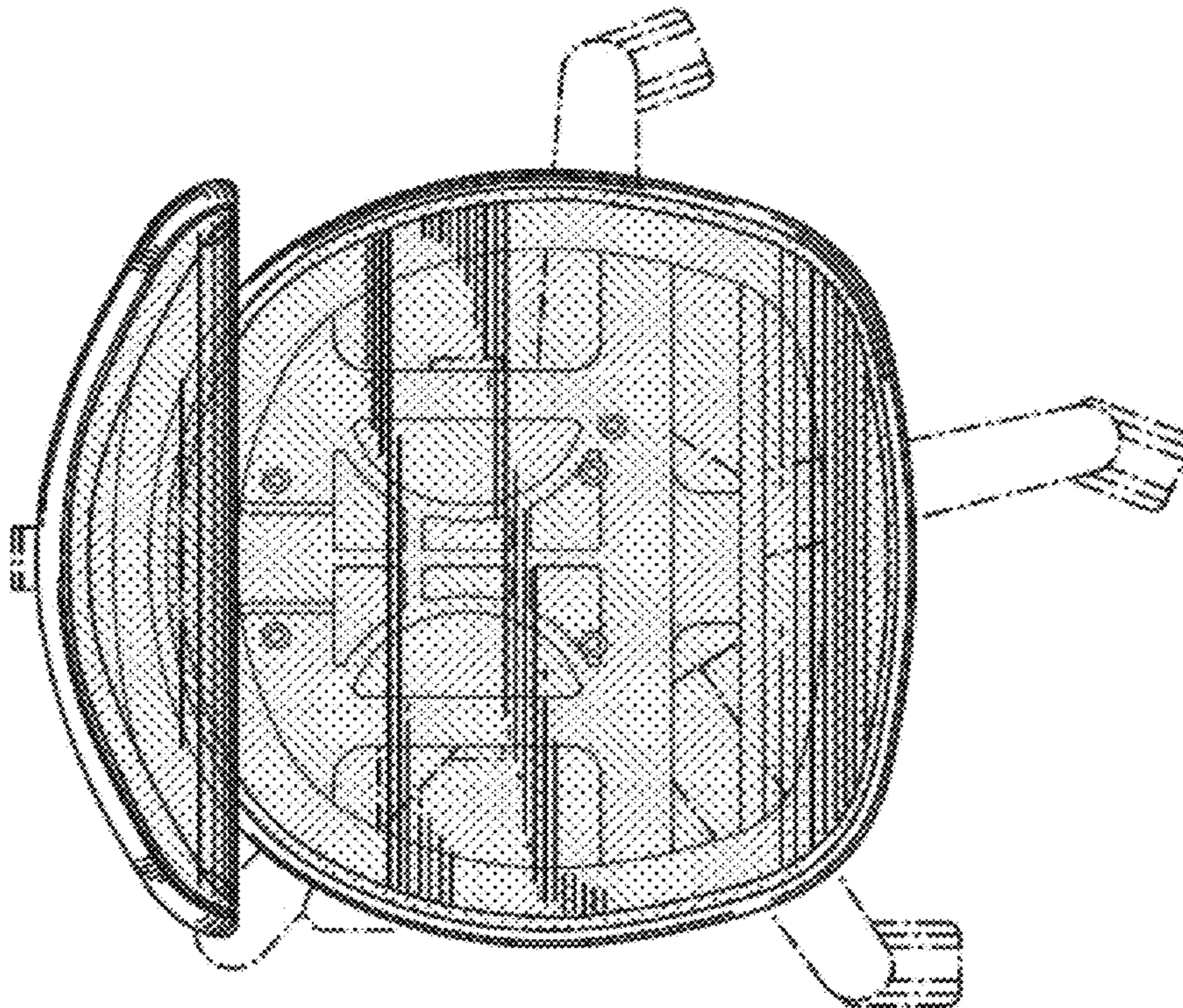


FIG. 6