



US00D657591S

(12) **United States Design Patent**
Sanchez

(10) **Patent No.:** **US D657,591 S**
(45) **Date of Patent:** **** Apr. 17, 2012**

(54) **DISPLAY STAND**

(75) Inventor: **Luis A. Sanchez**, Toluca (MX)

(73) Assignee: **Grupo Bimbo, S.A.B. de C.V.**, Mexico
City, D.F. (MX)

(**) Term: **14 Years**

(21) Appl. No.: **29/400,594**

(22) Filed: **Aug. 30, 2011**

(51) **LOC (9) Cl.** **06-06**

(52) **U.S. Cl.** **D6/479**

(58) **Field of Classification Search** D6/396,
D6/449, 466–469, 477–479, 429, 431, 474;
108/11, 13, 59–61, 93, 96, 47; 211/85.26,
211/134–135, 186–187, 153, 207

See application file for complete search history.

(56) **References Cited**

U.S. PATENT DOCUMENTS

3,081,718	A *	3/1963	Shoffner	108/108
5,240,127	A *	8/1993	Levin et al.	211/186
D368,396	S	4/1996	Bidwell	
D394,360	S *	5/1998	Geier et al.	D6/414
D398,460	S	9/1998	Gerstner	
6,089,387	A	7/2000	Varfolomeeva	
D451,024	S	11/2001	Glauth et al.	
D478,739	S *	8/2003	Sparkowski	D6/465
D478,745	S	8/2003	Sparkowski	
D486,982	S *	2/2004	Hessell	D6/479
D496,193	S *	9/2004	Mason	D6/468
D500,419	S	1/2005	Sparkowski	
D501,102	S *	1/2005	Day	D6/479
6,880,708	B2	4/2005	Boron	
D520,265	S	5/2006	Sparkowski	
D521,276	S *	5/2006	Lenger	D6/474

D534,015	S *	12/2006	Bretz et al.	D6/468
D534,376	S	1/2007	Sparkowski	
D537,655	S *	3/2007	Hessell	D6/468
D538,556	S *	3/2007	Arias	D6/479
D547,776	S *	7/2007	Debontridder	D15/81
D560,402	S *	1/2008	Lev	D6/479
D565,324	S	4/2008	Sparkowski	
D573,369	S	7/2008	Sparkowski	
D573,811	S *	7/2008	Weigand	D6/468
D580,193	S	11/2008	Sparkowski	
D584,538	S *	1/2009	Weigand et al.	D6/464
D591,531	S	5/2009	Sparkowski	
D608,115	S *	1/2010	Trinh et al.	D6/477
D629,229	S *	12/2010	Horn et al.	D6/457
D631,680	S *	2/2011	Walsh	D6/477
D633,313	S *	3/2011	Ma	D6/397
D635,801	S *	4/2011	Stubis	D6/461
D638,639	S *	5/2011	Ma	D6/449
D644,452	S *	9/2011	Naples et al.	D6/449
D651,024	S *	12/2011	Shenkin	D6/474
8,079,313	B2 *	12/2011	Sparkowski	108/110

* cited by examiner

Primary Examiner — Kelley Donnelly

(74) *Attorney, Agent, or Firm* — Brinks Hofer Gilson & Lione

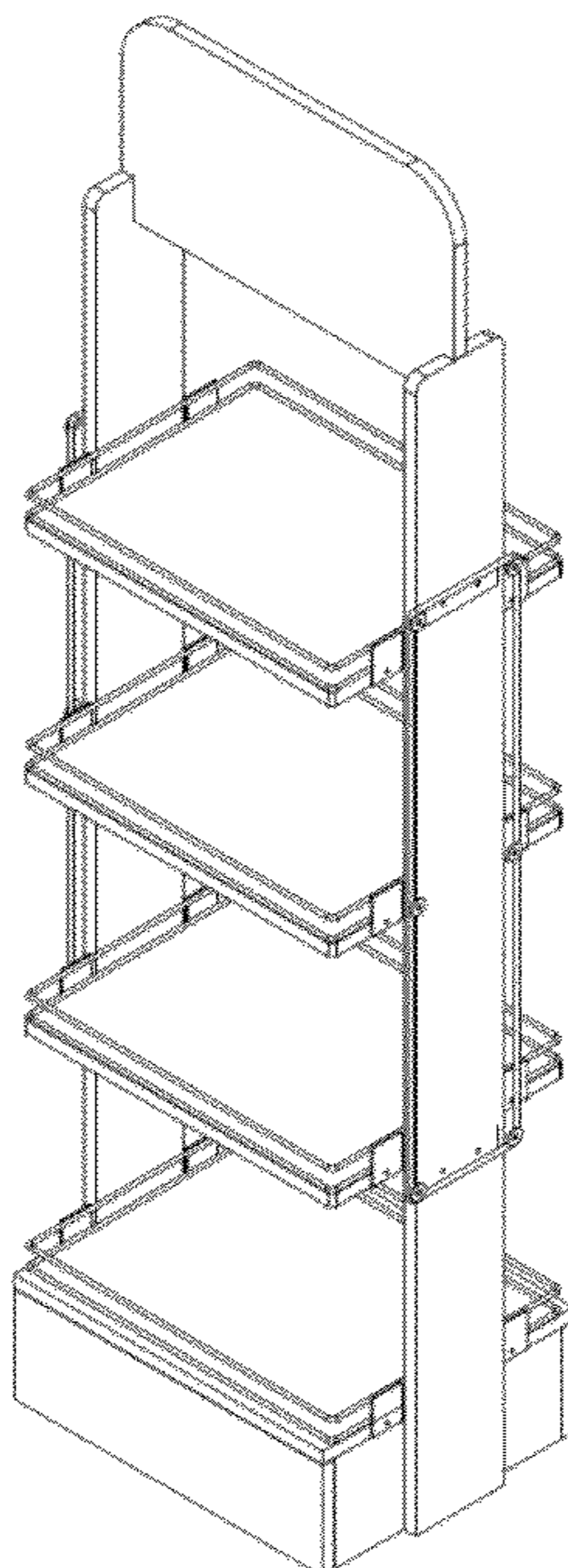
(57) **CLAIM**

The ornamental design for a display stand, as shown and described.

DESCRIPTION

FIG. 1 is a perspective view of the display stand;
FIG. 2 is a top plan view thereof;
FIG. 3 is a bottom plan view thereof;
FIG. 4 is a front elevation view thereof;
FIG. 5 is a left side elevation view thereof; and,
FIG. 6 is a right side elevation view thereof.

1 Claim, 6 Drawing Sheets



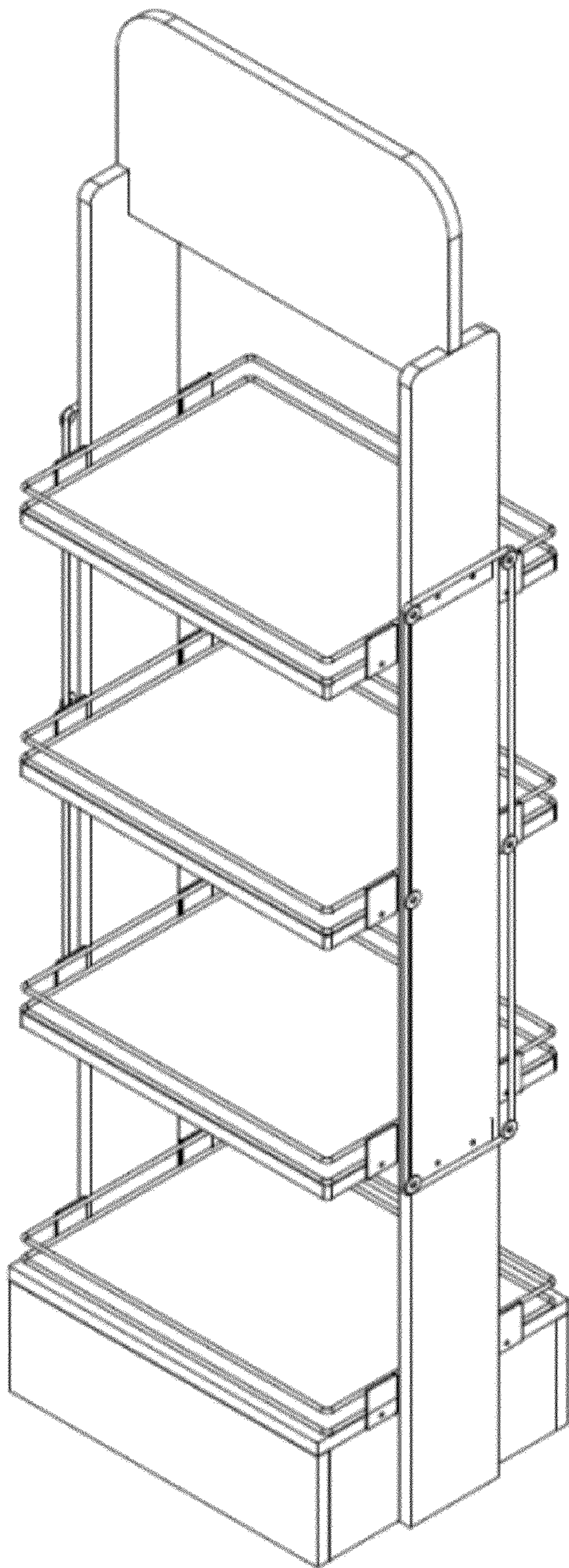


FIG. 1

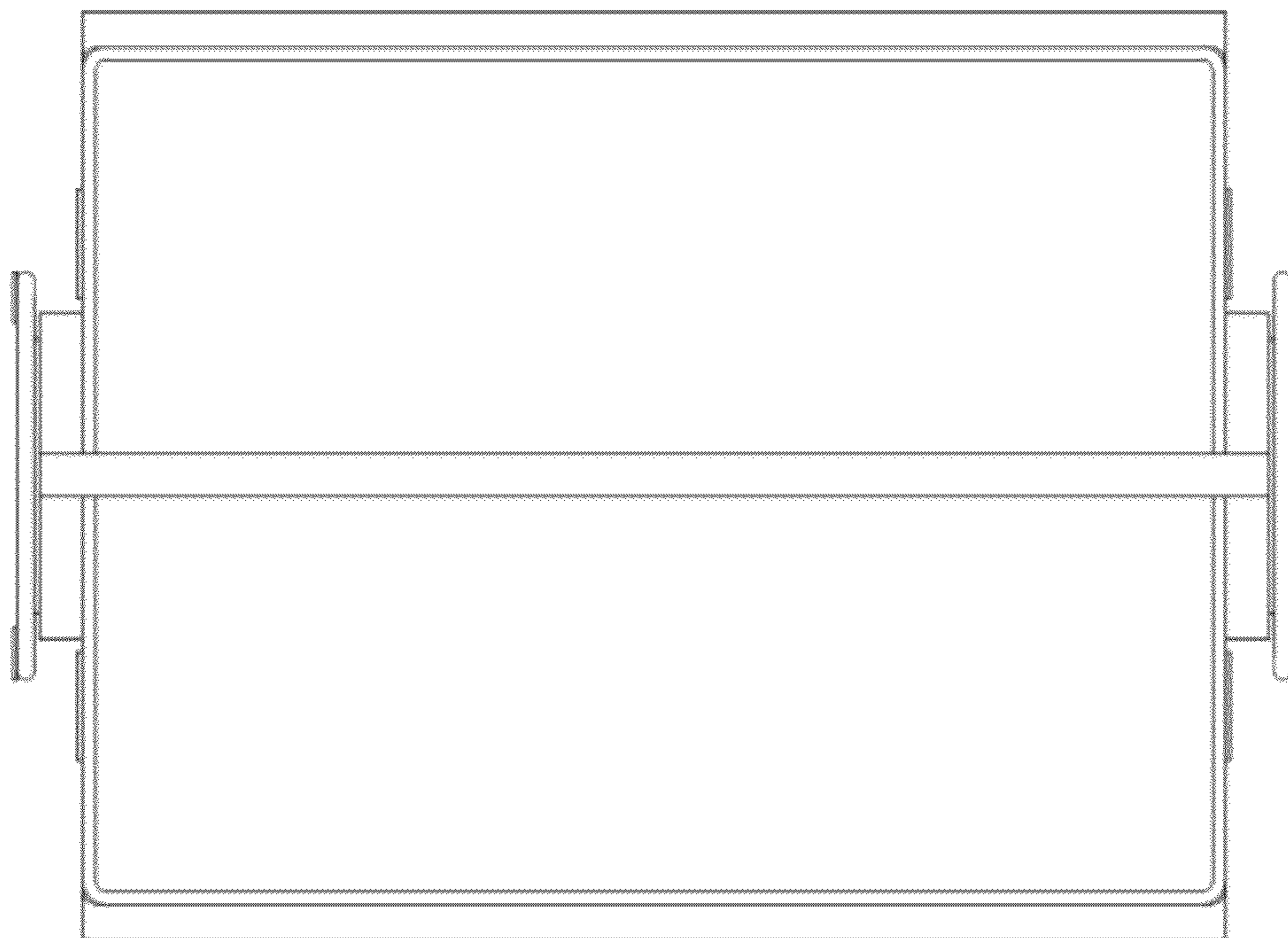


FIG. 2

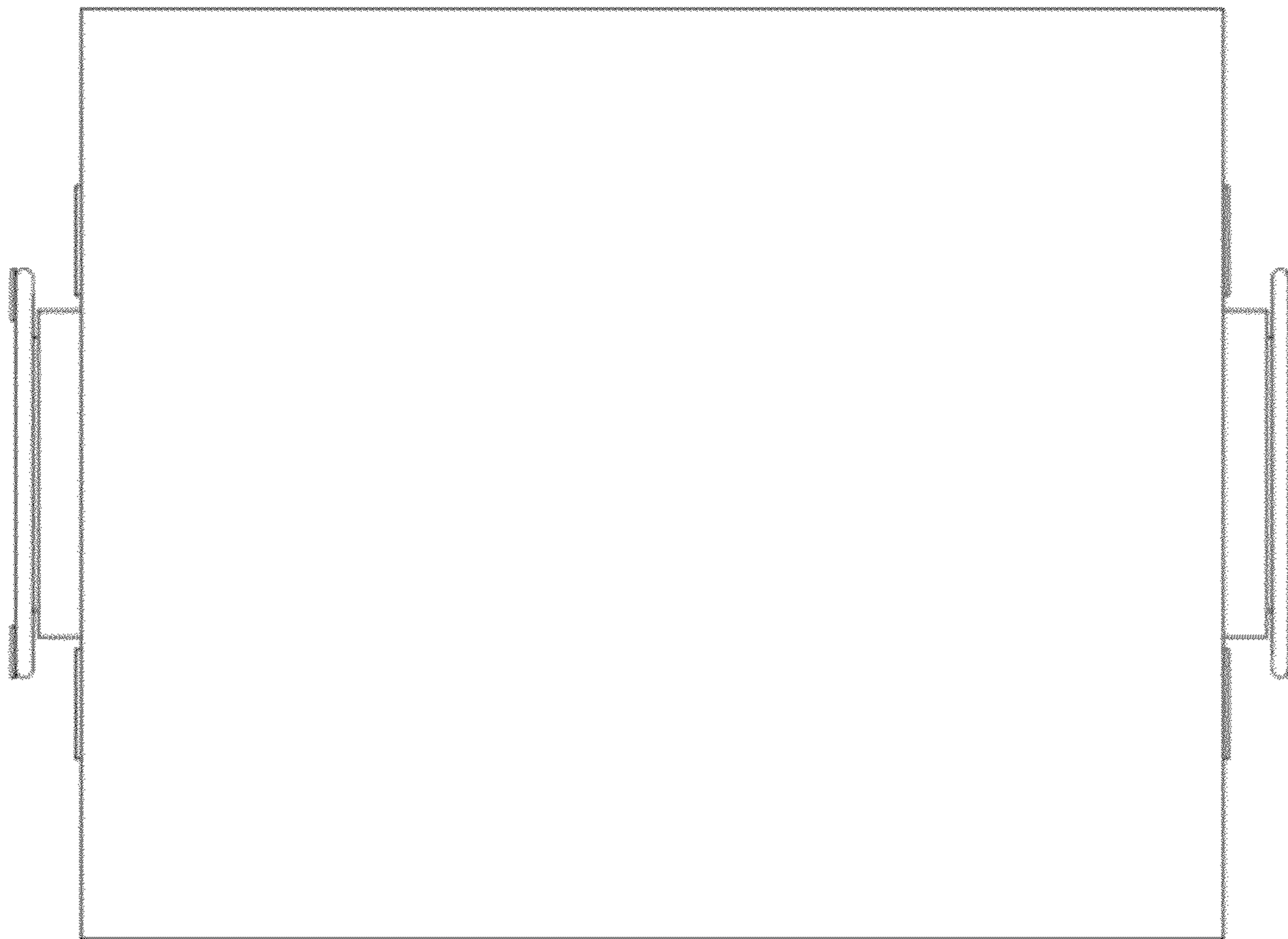


Fig. 3

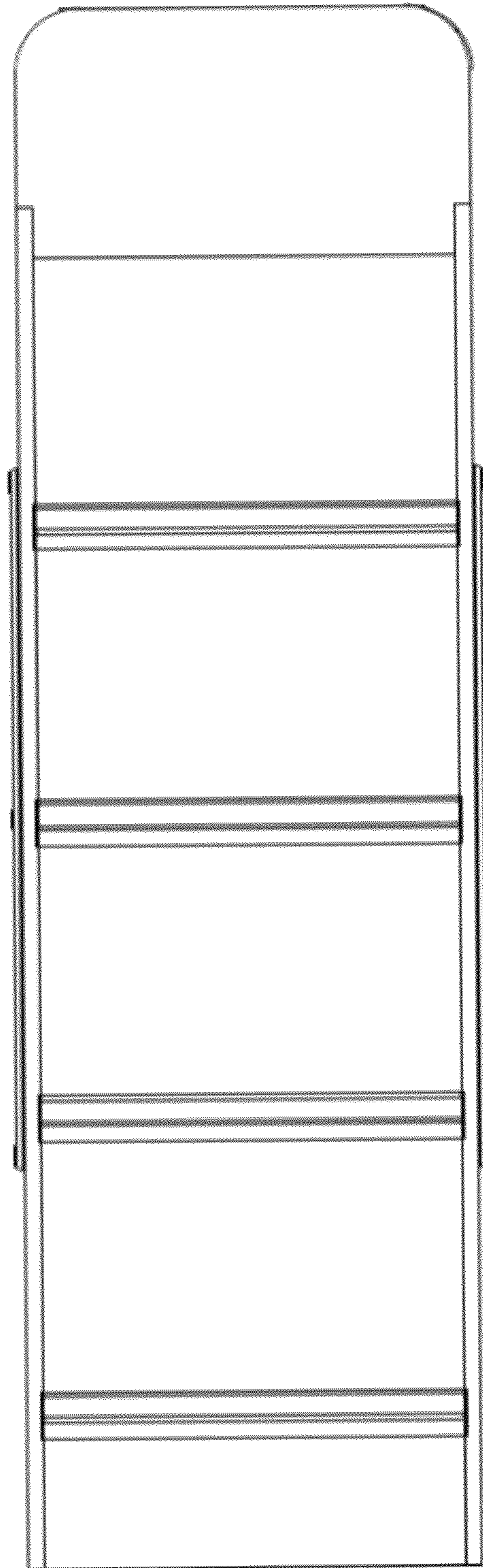


FIG. 4

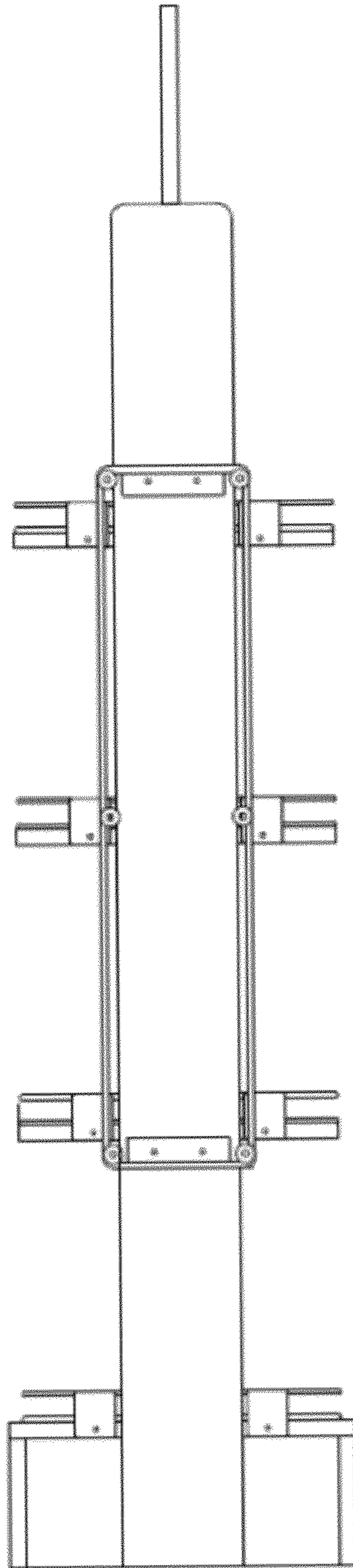


FIG. 5

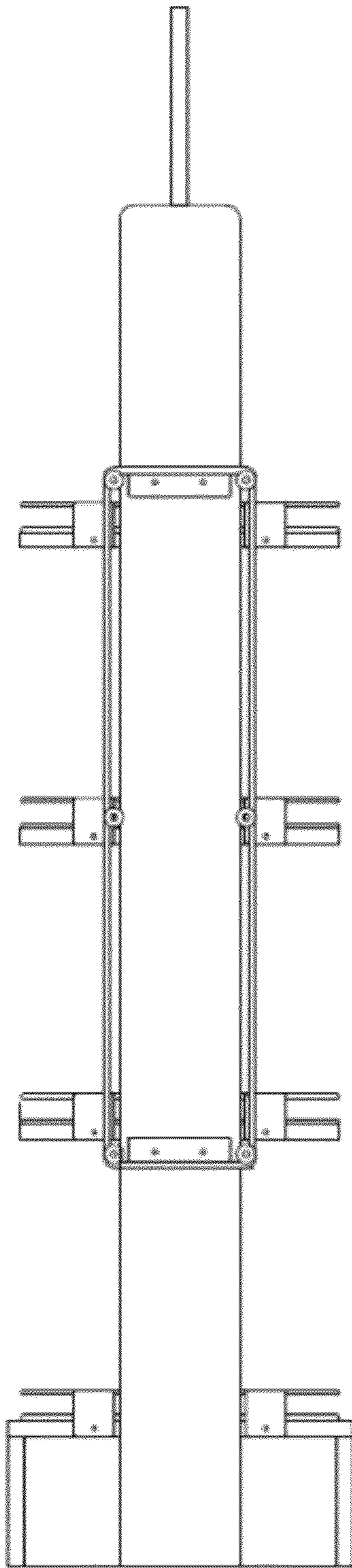


FIG. 6