



US00D657589S

(12) **United States Design Patent**
Watson

(10) **Patent No.:** **US D657,589 S**

(45) **Date of Patent:** **** Apr. 17, 2012**

- (54) **MOBILE KIOSK**
- (76) Inventor: **Robert T. Watson**, Smithtown, NY (US)
- (**) Term: **14 Years**
- (21) Appl. No.: **29/356,179**
- (22) Filed: **Feb. 21, 2010**
- (51) **LOC (9) Cl.** **06-06**
- (52) **U.S. Cl.** **D6/470**
- (58) **Field of Classification Search** D6/432,
D6/436-441, 445-449, 470-472, 480-481;
312/114, 204, 224; 186/26-27, 45
See application file for complete search history.

- D509,380 S * 9/2005 Lines D6/470
- D523,877 S * 6/2006 Resch D15/81
- D524,330 S * 7/2006 Pedersen et al. D15/81
- 7,131,543 B2 11/2006 Mason
- D561,973 S 2/2008 Kinsley et al.
- D562,359 S * 2/2008 Schreuder et al. D15/81
- 7,402,018 B2 7/2008 Mountz et al.
- D575,023 S 8/2008 Girard
- D579,956 S * 11/2008 Bordet-Stead D15/79
- 7,500,684 B2 3/2009 Van Loon et al.
- D592,417 S 5/2009 Cohn et al.
- D594,254 S * 6/2009 Mori D6/470
- D595,517 S * 7/2009 Fiori D6/436
- D596,367 S 7/2009 Katz
- D608,798 S * 1/2010 Linder et al. D15/81

(Continued)

(56) **References Cited**

U.S. PATENT DOCUMENTS

- | | | | |
|---------------|---------|------------------|-----------|
| 454,164 A | 6/1891 | Calkins | |
| 618,634 A | 1/1899 | Young et al. | |
| 747,741 A | 12/1903 | Marsh | |
| 1,406,021 A | 2/1922 | Ihmels | |
| 2,771,318 A | 11/1956 | Jagsch | |
| 2,973,823 A | 3/1961 | Stentz | |
| 3,388,943 A | 6/1968 | Clement | |
| D212,568 S | 10/1968 | Emery | |
| 3,445,150 A | 5/1969 | Zartarian | |
| 3,877,744 A | 4/1975 | Miller | |
| 4,076,349 A | 2/1978 | Gettleman et al. | |
| D273,298 S * | 4/1984 | Trulaske | D15/81 |
| 4,480,866 A | 11/1984 | Komatsu | |
| 5,669,524 A * | 9/1997 | Loedel | 220/9.1 |
| 5,718,398 A | 2/1998 | Ross, Jr. | |
| D396,238 S * | 7/1998 | Schmitt | D15/144.1 |
| D398,432 S | 9/1998 | Yerkes | |
| 5,984,439 A | 11/1999 | Orr et al. | |
| 5,997,112 A | 12/1999 | Karten et al. | |
| 6,474,677 B2 | 11/2002 | Kasuya | |
| D496,054 S * | 9/2004 | Flum | D15/83 |

Primary Examiner — Caron D Veynar

Assistant Examiner — Kelley Donnelly

(74) *Attorney, Agent, or Firm* — Carter, DeLuca, Farrell & Schmidt, LLP

(57) **CLAIM**

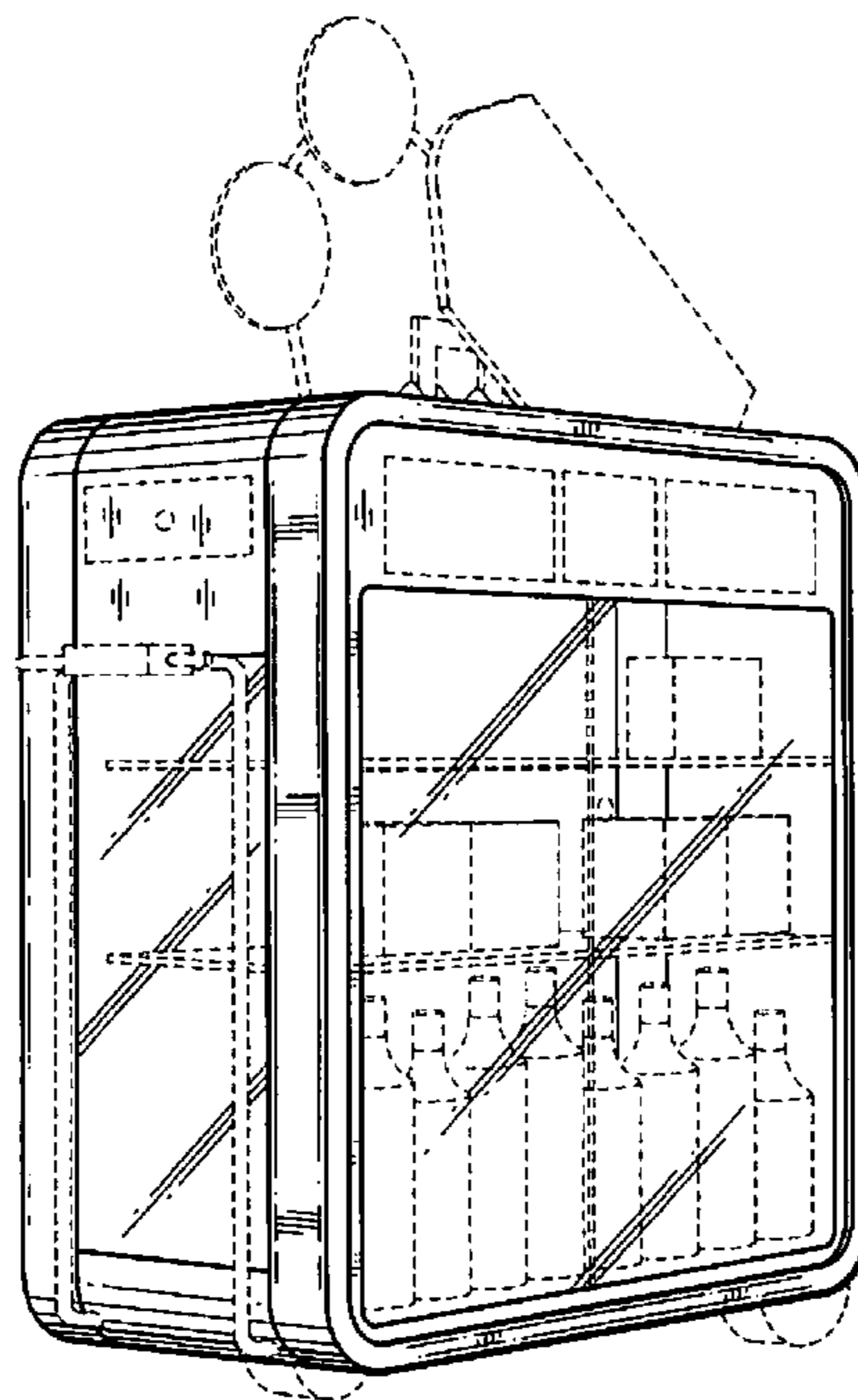
The ornamental design for a mobile kiosk, as shown and described.

DESCRIPTION

FIG. 1 is a front perspective view of the mobile kiosk;
 FIG. 2 is a right side view of the mobile kiosk;
 FIG. 3 is a rear view of the mobile kiosk;
 FIG. 4 is a top plan view of the mobile kiosk;
 FIG. 5 is a left side view of the mobile kiosk;
 FIG. 6 is a front view of the mobile kiosk; and,
 FIG. 7 is a bottom view of the mobile kiosk.

The broken lines showing is for the purposes of illustrating environment and forms no part of the claimed design.

1 Claim, 5 Drawing Sheets



US D657,589 S

Page 2

U.S. PATENT DOCUMENTS

D620,282 S *	7/2010	Jorst et al.	D6/470	2002/0093273 A1	7/2002	Itakura
D637,012 S *	5/2011	Lu	D6/432	2003/0075476 A1	4/2003	Savoie
7,942,430 B2 *	5/2011	Van Loon et al.	280/47.34			

* cited by examiner

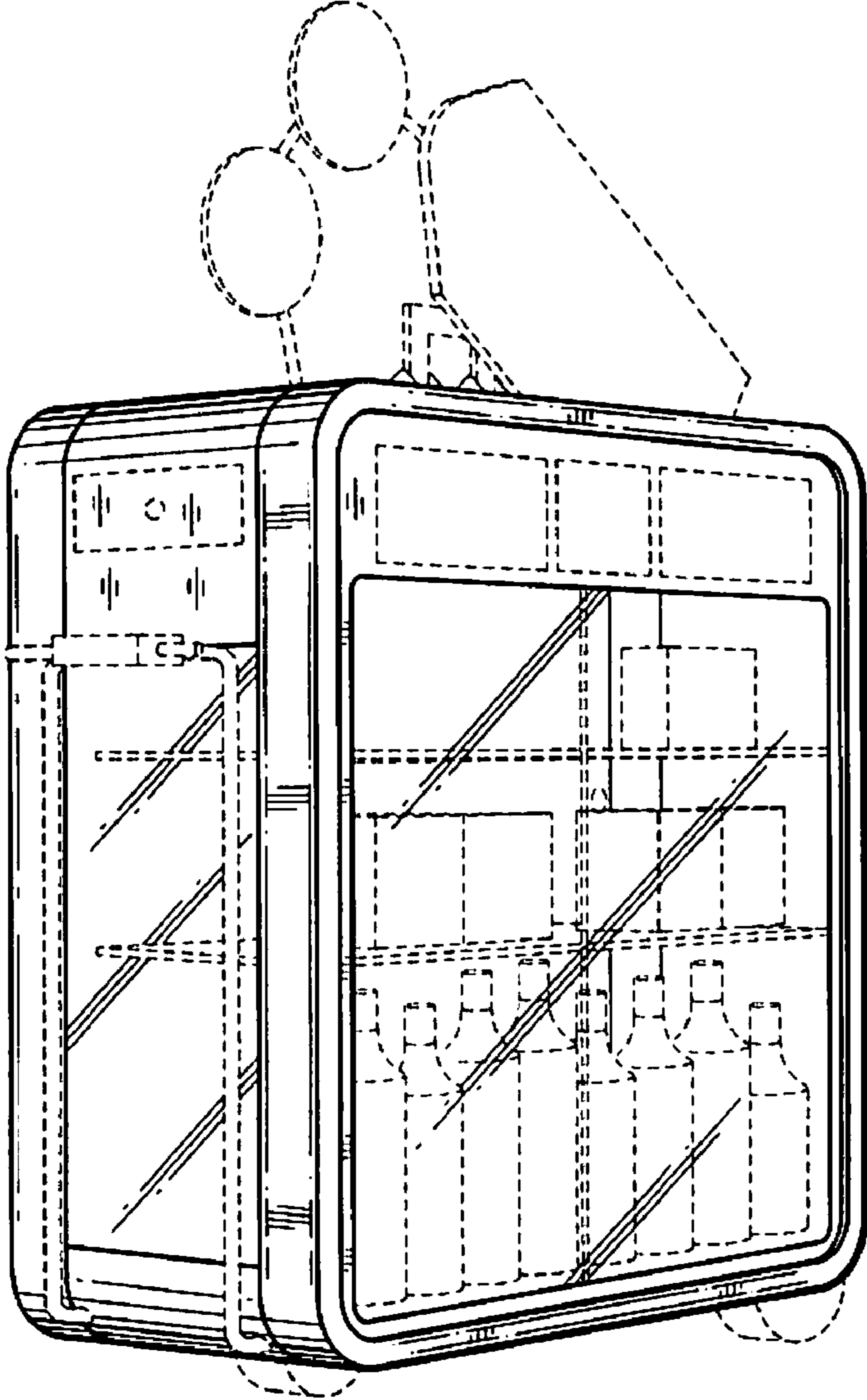


FIG. 1

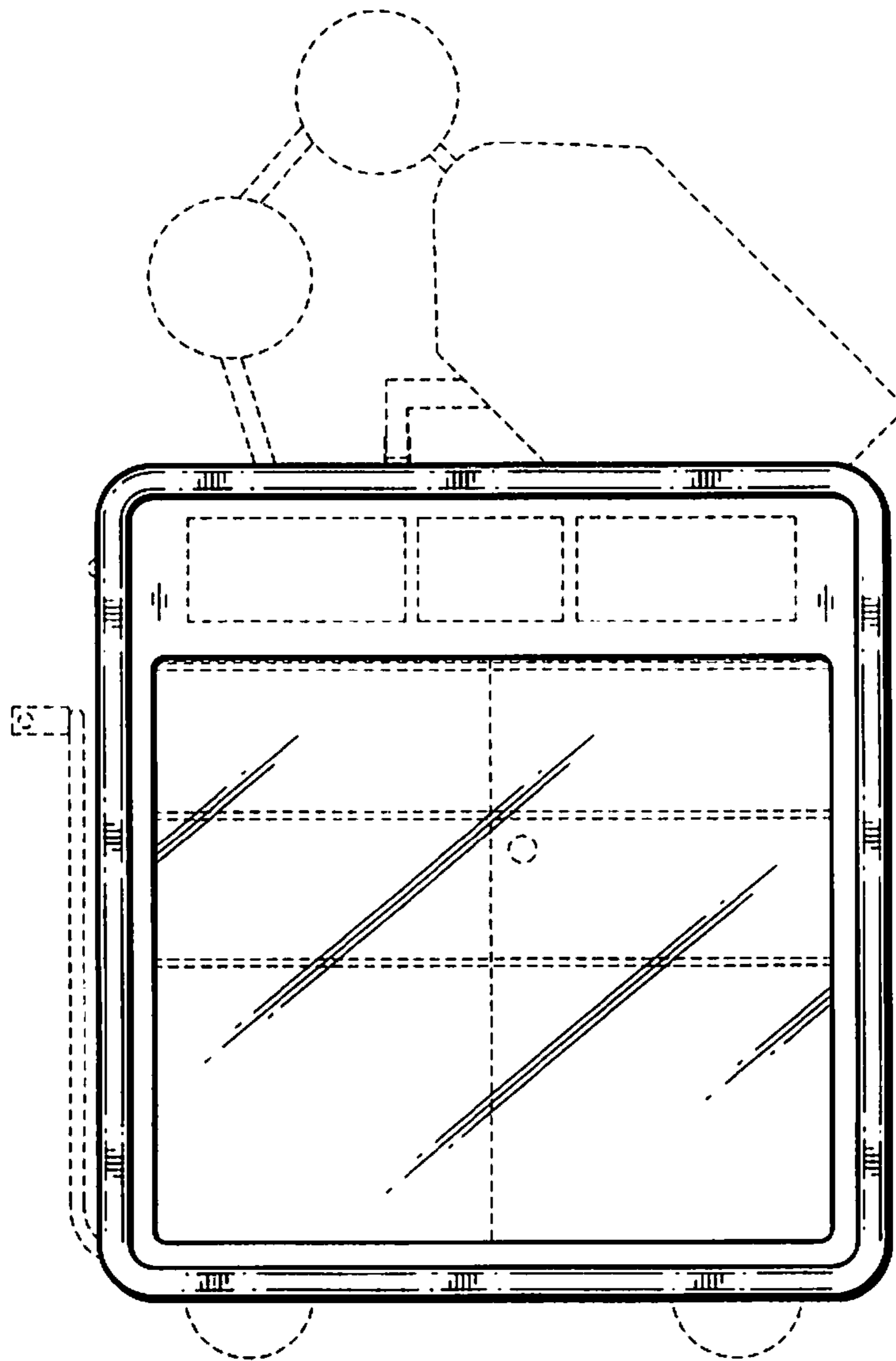


FIG. 2

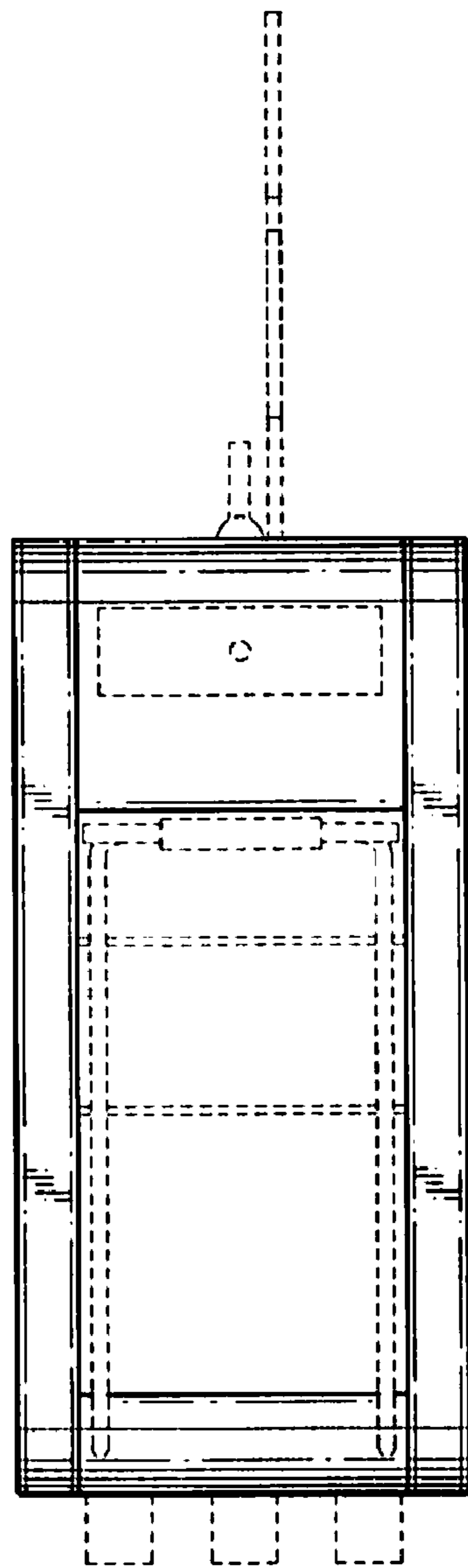


FIG. 3

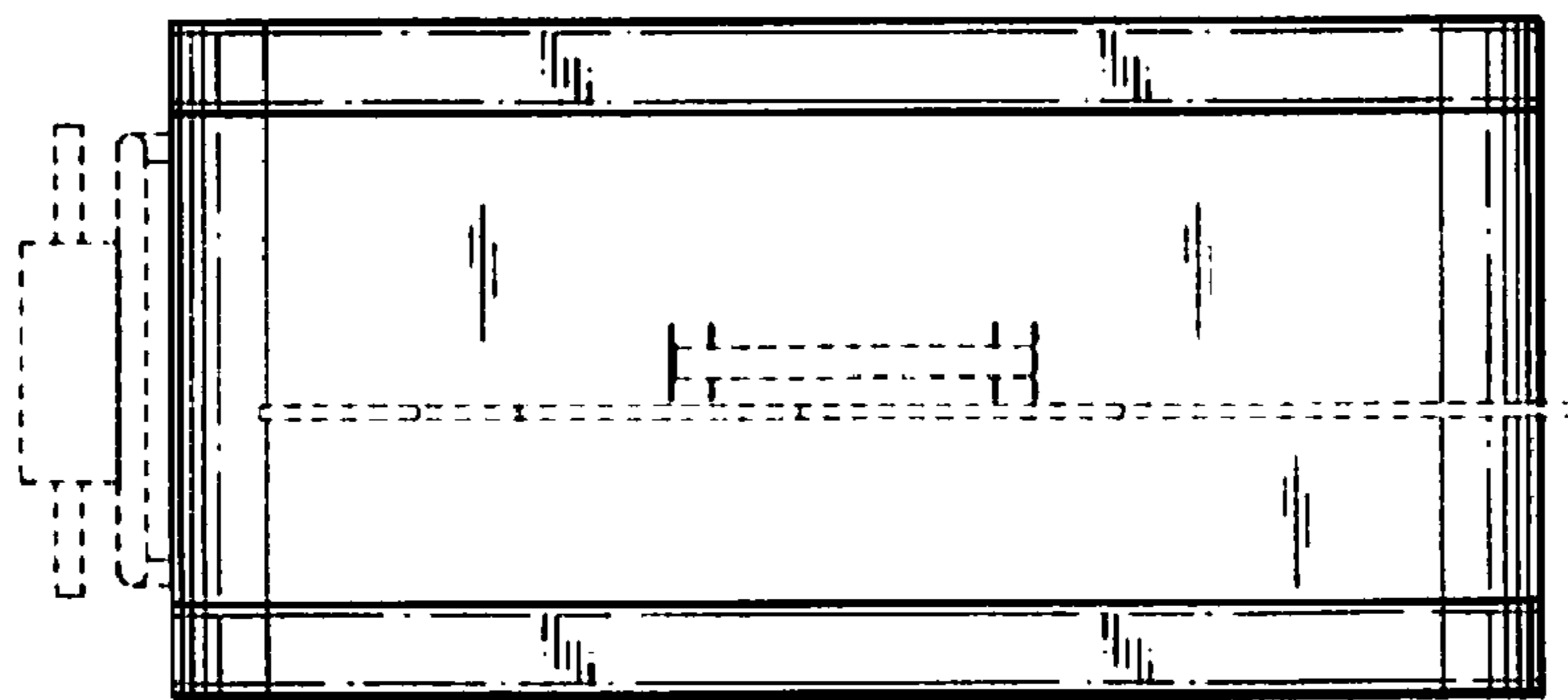


FIG. 4

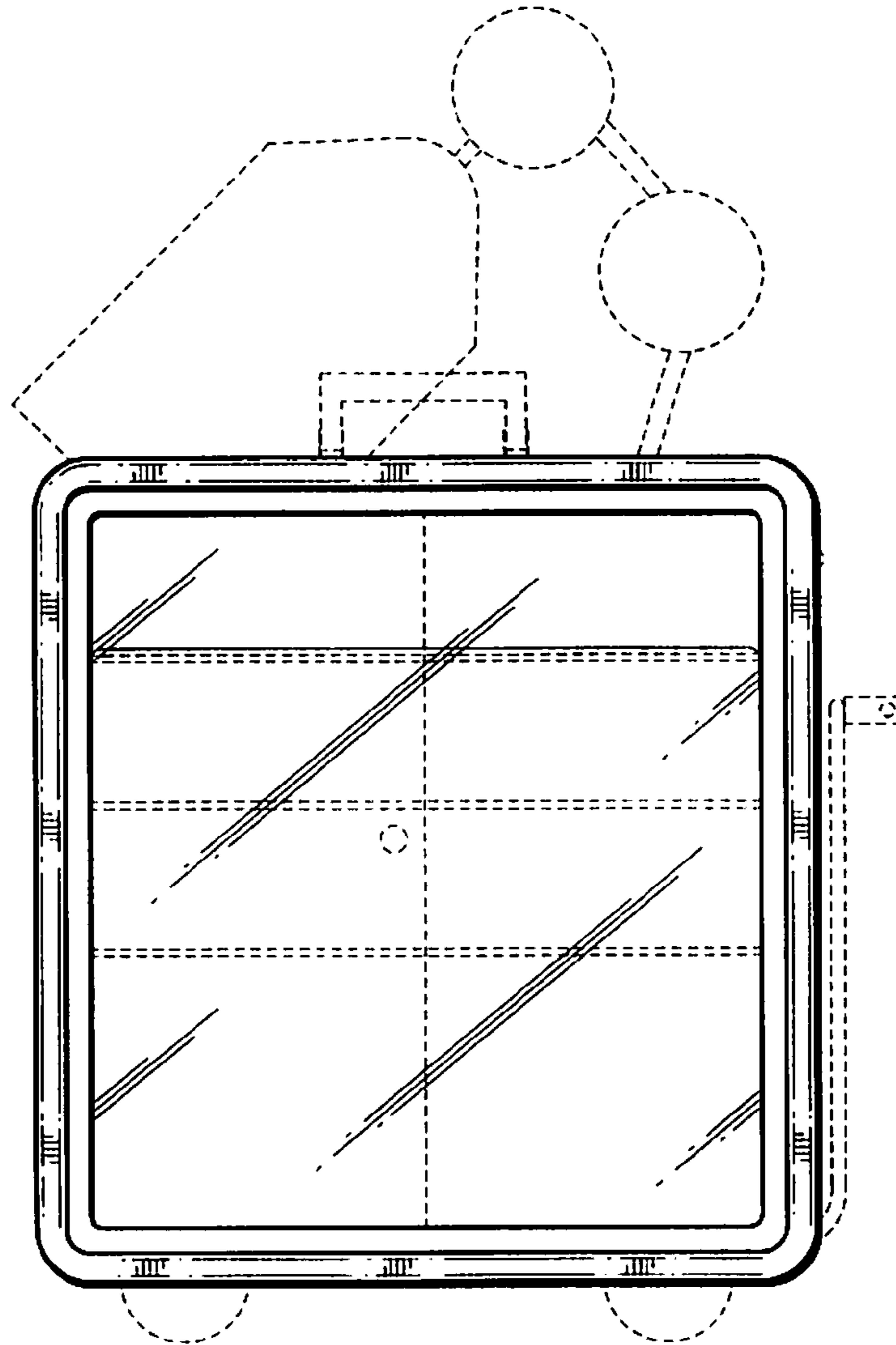


FIG. 5

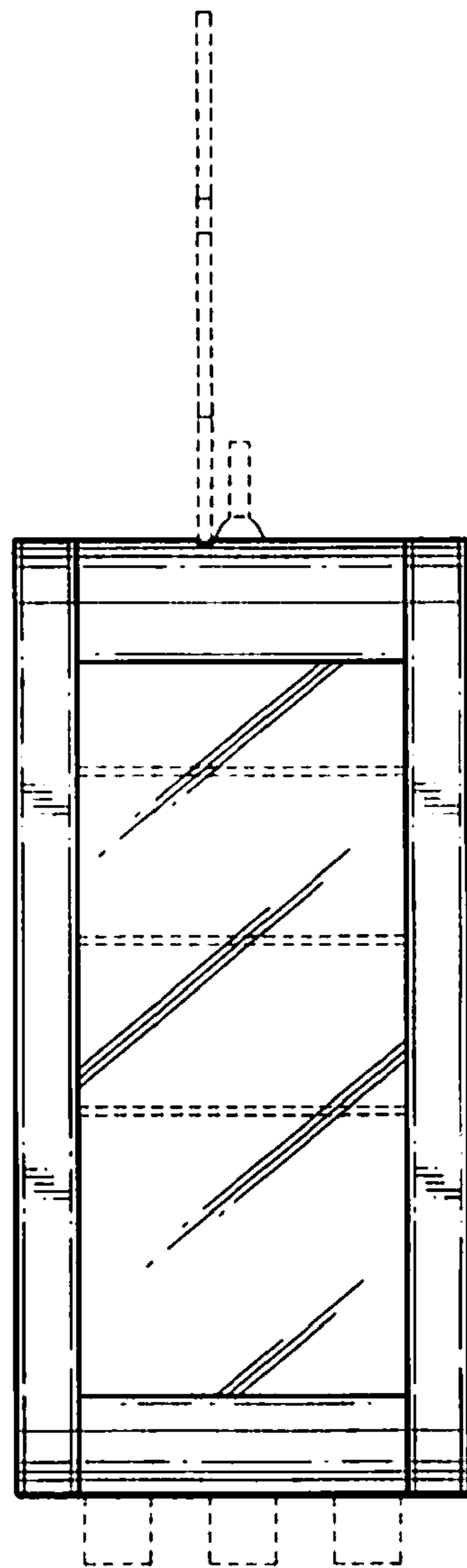


FIG. 6

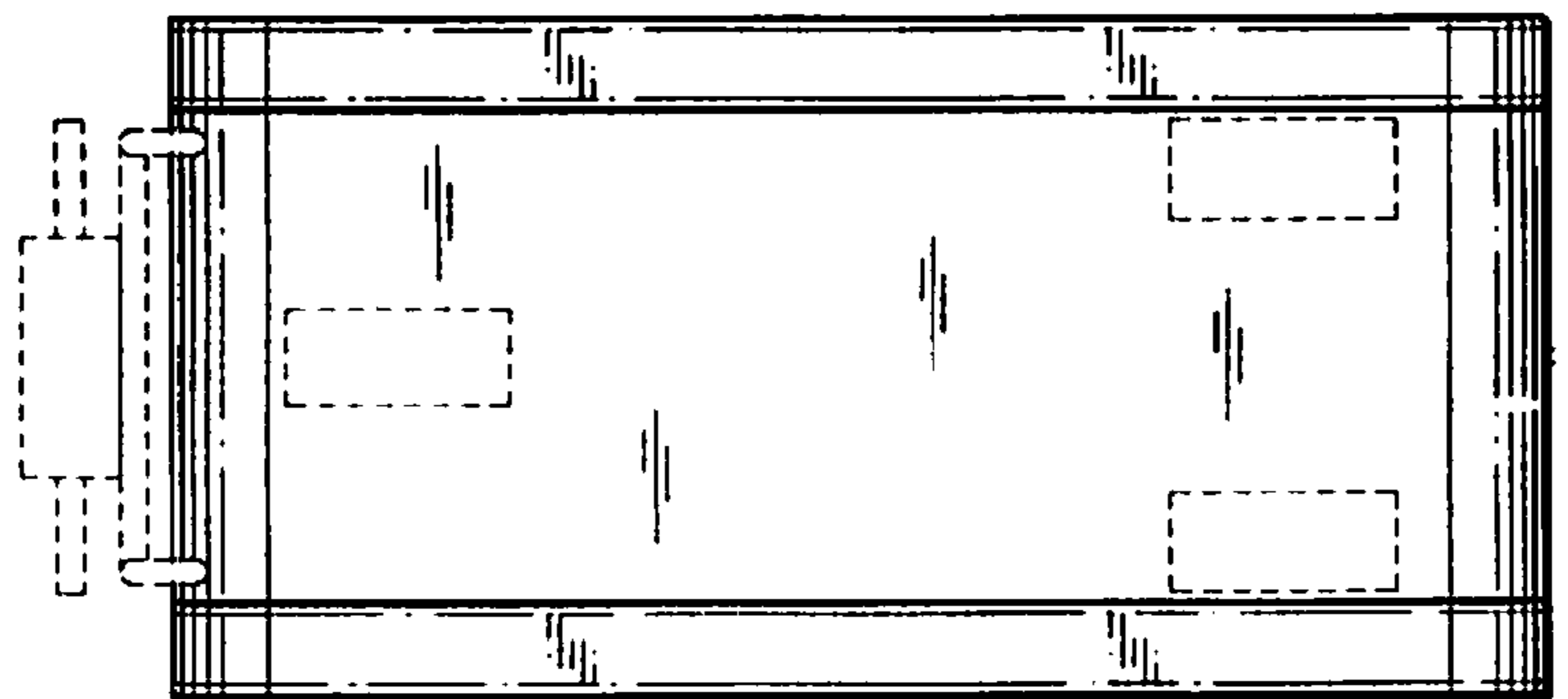


FIG. 7