

US00D657588S

(12) **United States Design Patent**
Snider

(10) **Patent No.:** **US D657,588 S**

(45) **Date of Patent:** **** Apr. 17, 2012**

(54) **CABINET ORGANIZER WITH DRAWER
HAVING LONGITUDINAL DIVIDERS**

(75) Inventor: **Martin Snider**, New City, NY (US)

(73) Assignee: **MSA Products, Inc.**, Nyack, NY (US)

(**) Term: **14 Years**

(21) Appl. No.: **29/376,927**

(22) Filed: **Oct. 14, 2010**

(51) **LOC (9) Cl.** **06-04**

(52) **U.S. Cl.** **D6/462**

(58) **Field of Classification Search** D6/396,
D6/397, 409, 410, 436, 448-450, 453-470,
D6/510; 211/1, 10, 13.1, 28, 69.1, 69.5,
211/70, 70.1, 70.6, 74, 77, 78, 85.1, 85.2,
211/85.4, 85.5, 85.31, 126.9, 134, 153, 191.1,
211/182; D3/302, 304, 306; D7/600.1-600.4
See application file for complete search history.

(56) **References Cited**

U.S. PATENT DOCUMENTS

968,201	A	*	8/1910	Shannon	211/28
D158,631	S	*	5/1950	Wooock	D3/302
D348,760	S	*	7/1994	Linder	D3/306
D362,567	S	*	9/1995	Licari	D6/436
D363,396	S	*	10/1995	Licari	D6/448
D423,809	S	*	5/2000	Lund et al.	D6/396

6,341,704	B1	*	1/2002	Michel, Jr.	211/181.1
D579,246	S	*	10/2008	Snider	D6/510
D579,691	S	*	11/2008	Snider	D6/463
D615,328	S	*	5/2010	Snider	D6/510
D628,444	S	*	12/2010	Snider	D7/600.1
D628,445	S	*	12/2010	Snider	D7/600.1

* cited by examiner

Primary Examiner — Mary Ann Calabrese

(74) *Attorney, Agent, or Firm* — Gerald E. Hespos; Michael J. Porco

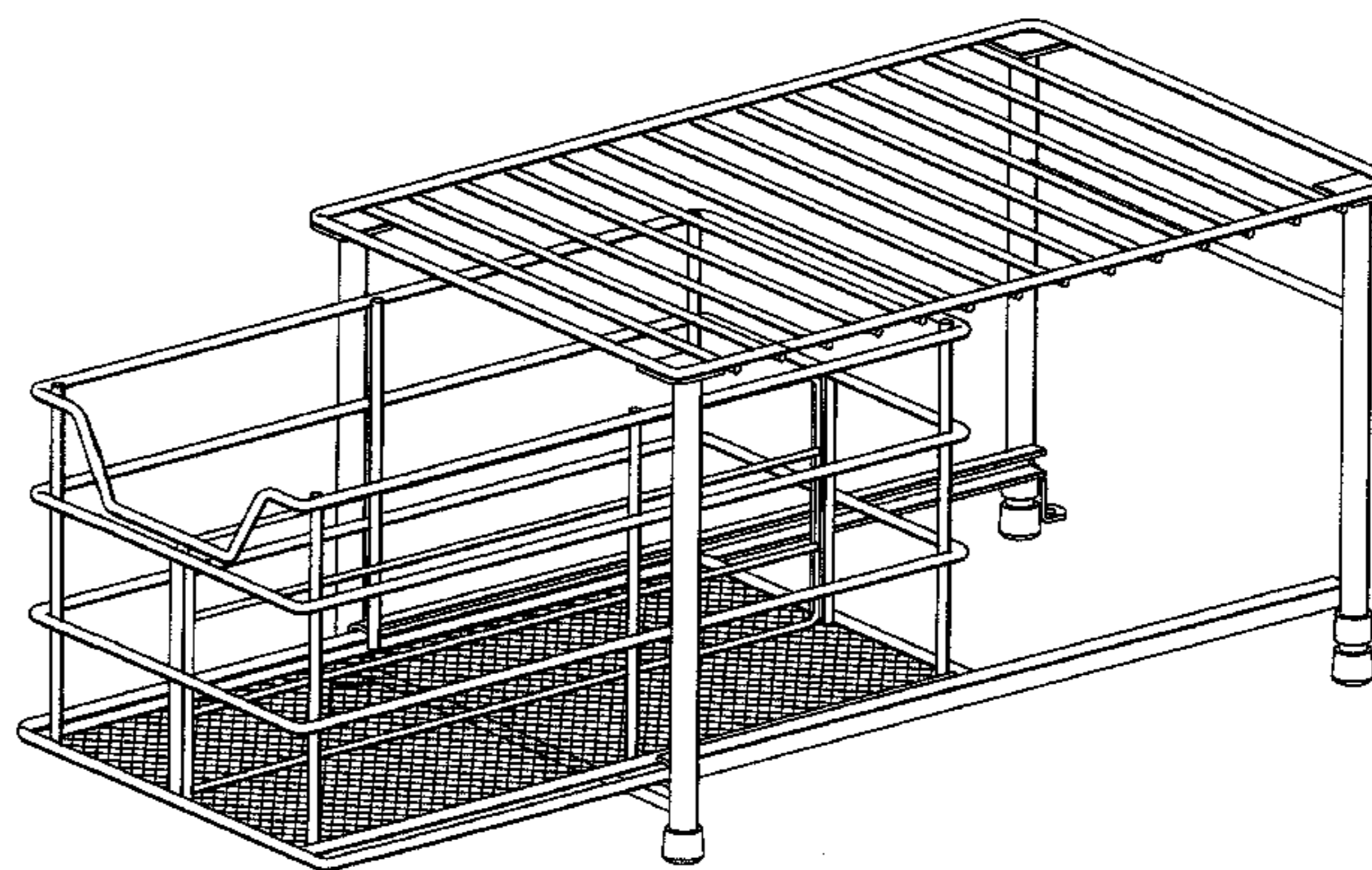
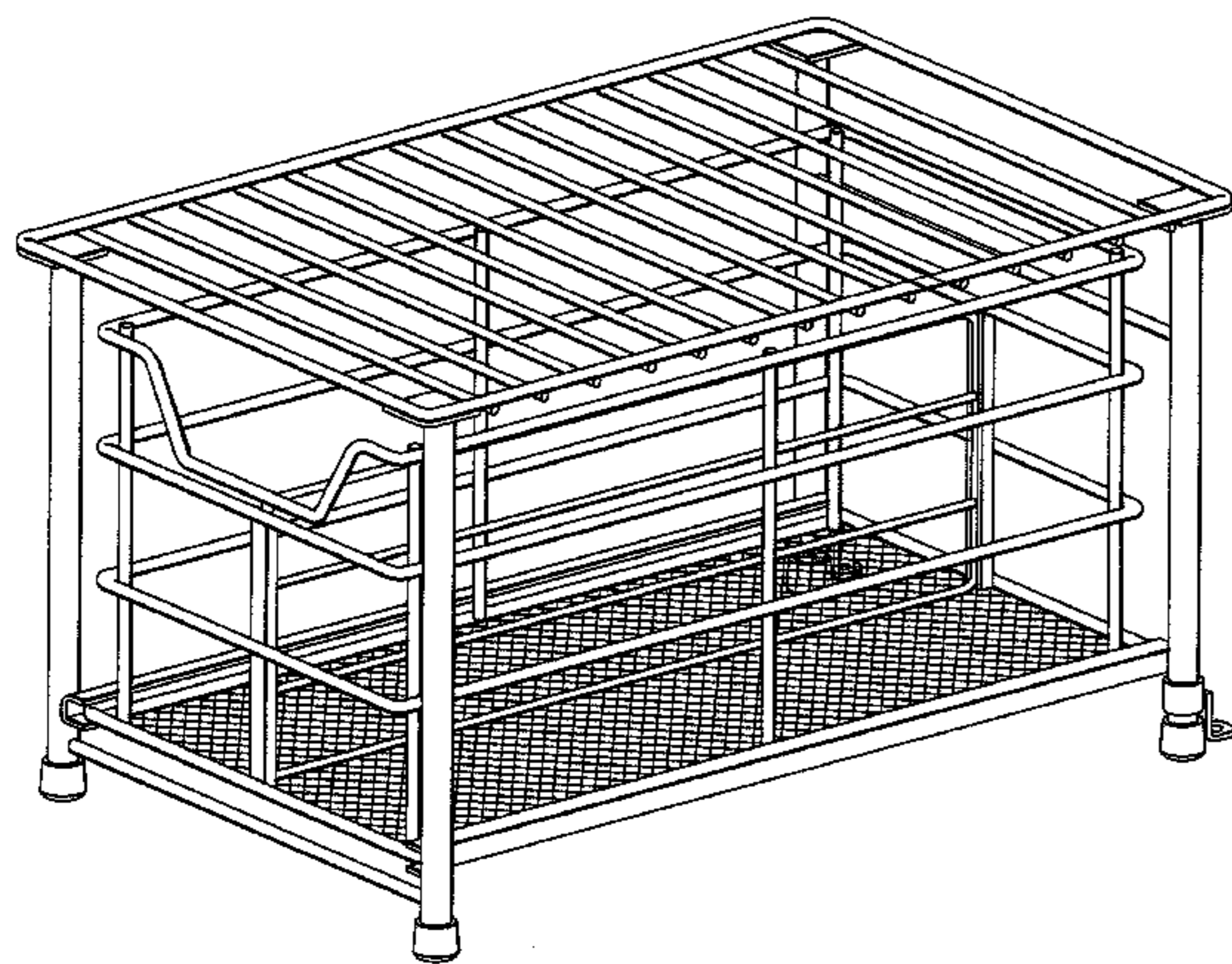
(57) **CLAIM**

The ornamental design of a cabinet organizer with drawer having longitudinal dividers, as shown and described.

DESCRIPTION

FIG. 1 is a perspective view of a cabinet organizer with drawer having longitudinal dividers in accordance with my design;
FIG. 2 is a perspective view of the cabinet organizer of FIG. 1 with the drawer in an extended position;
FIG. 3 is a top plan view thereof;
FIG. 4 is a side elevational view thereof as view from the right side of FIG. 1;
FIG. 5 is a front elevational view thereof;
FIG. 6 is a back elevational view thereof; and,
FIG. 7 is a bottom plan view thereof.

1 Claim, 7 Drawing Sheets



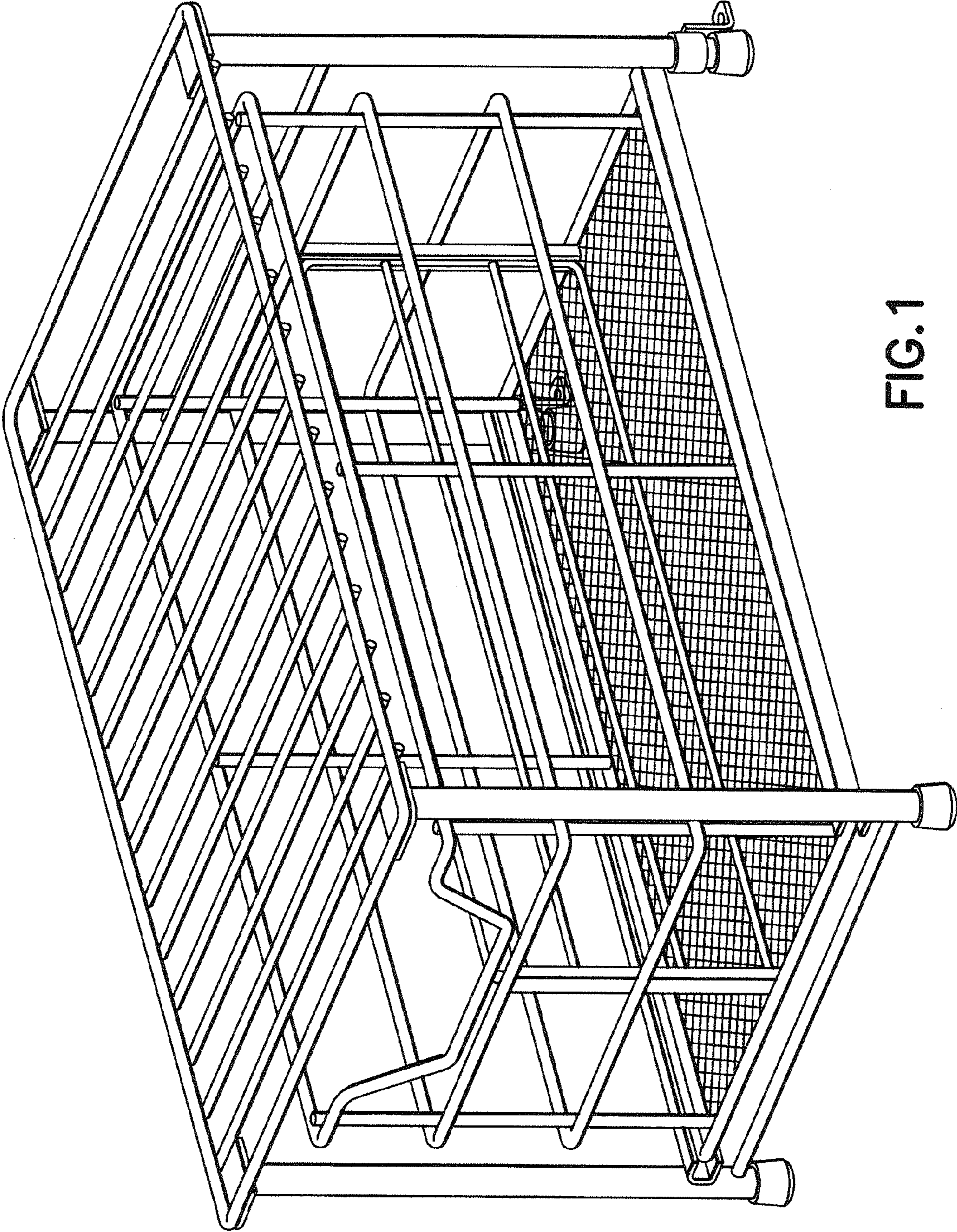


FIG.1

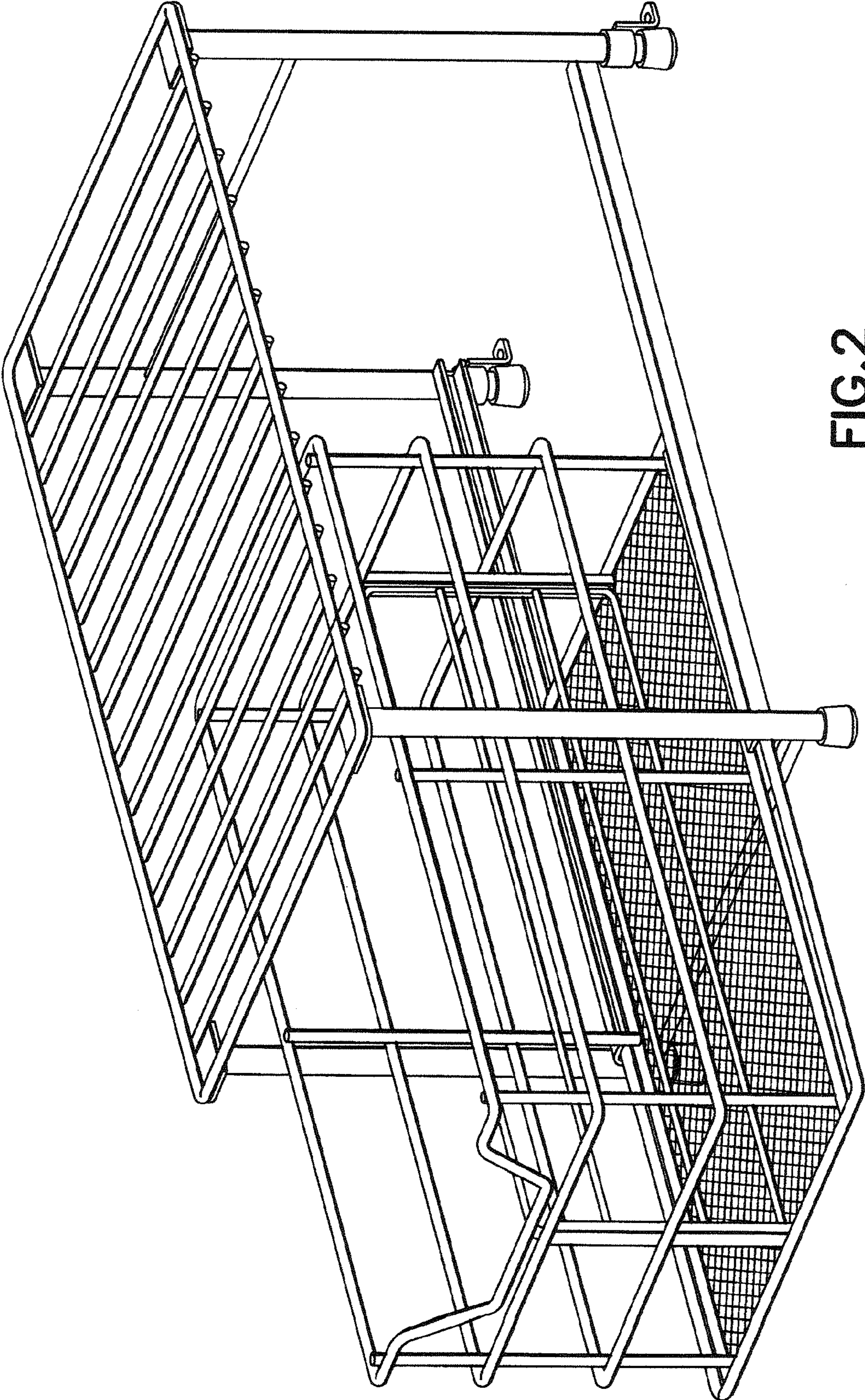


FIG.2

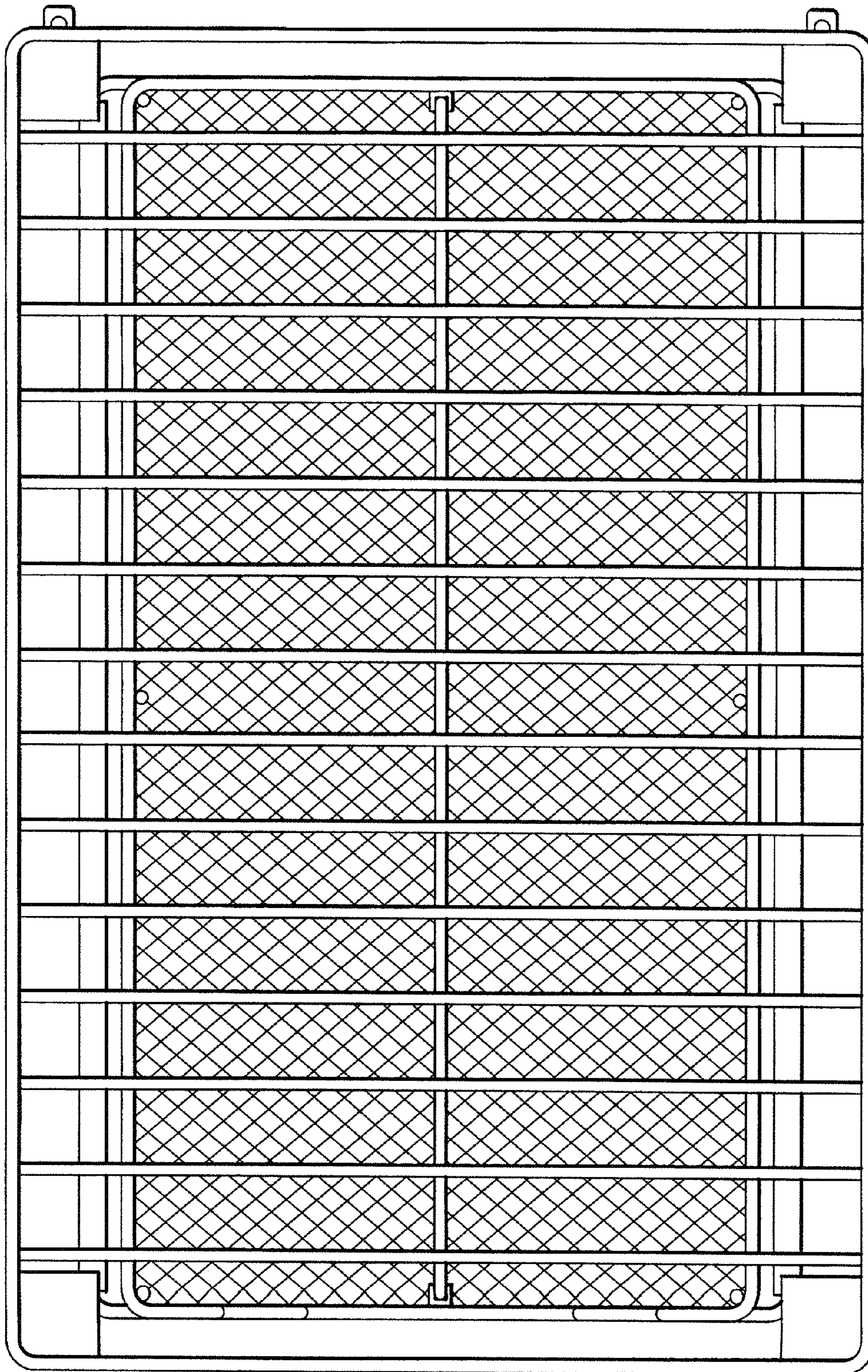


FIG.3

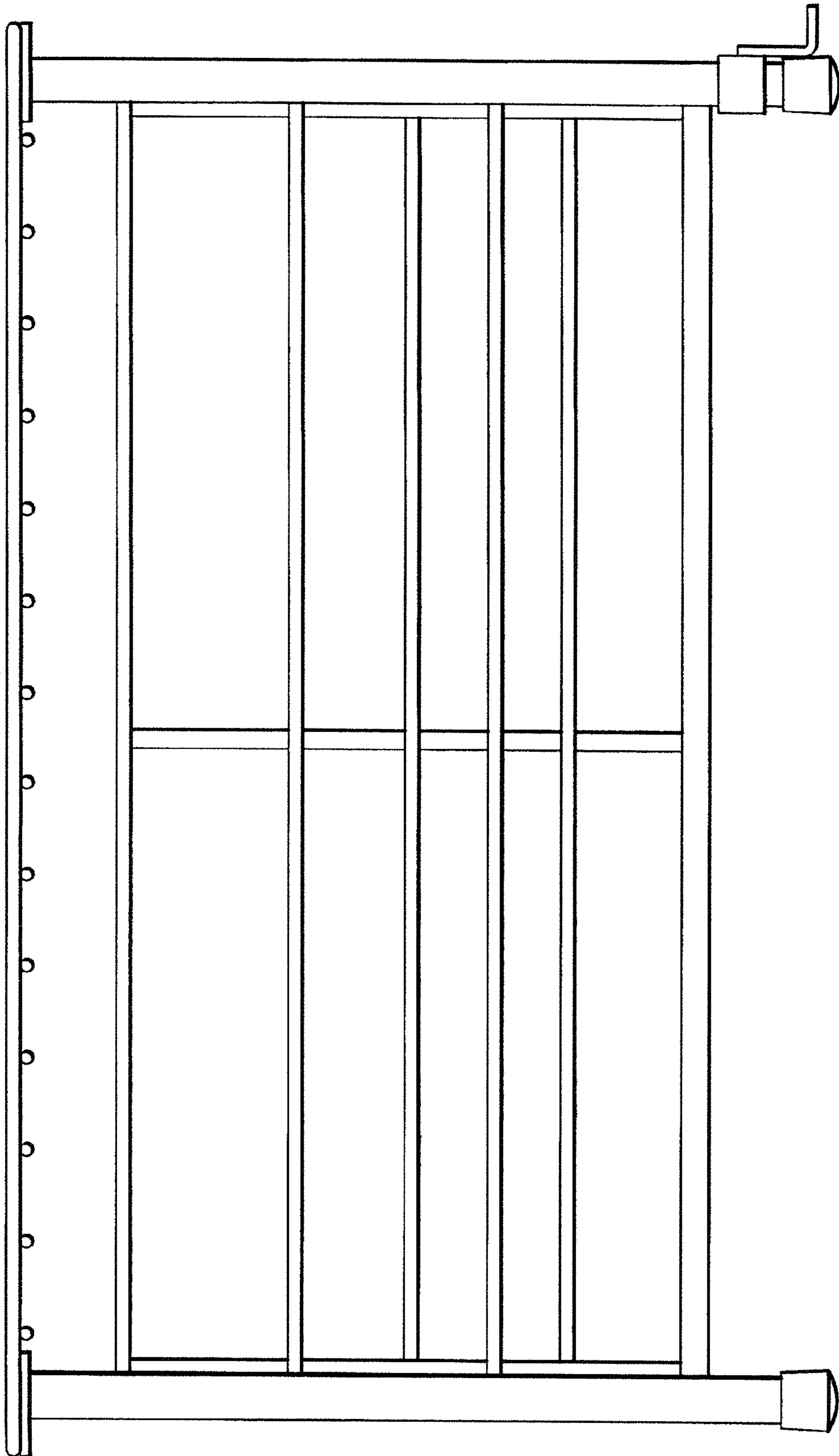


FIG. 4

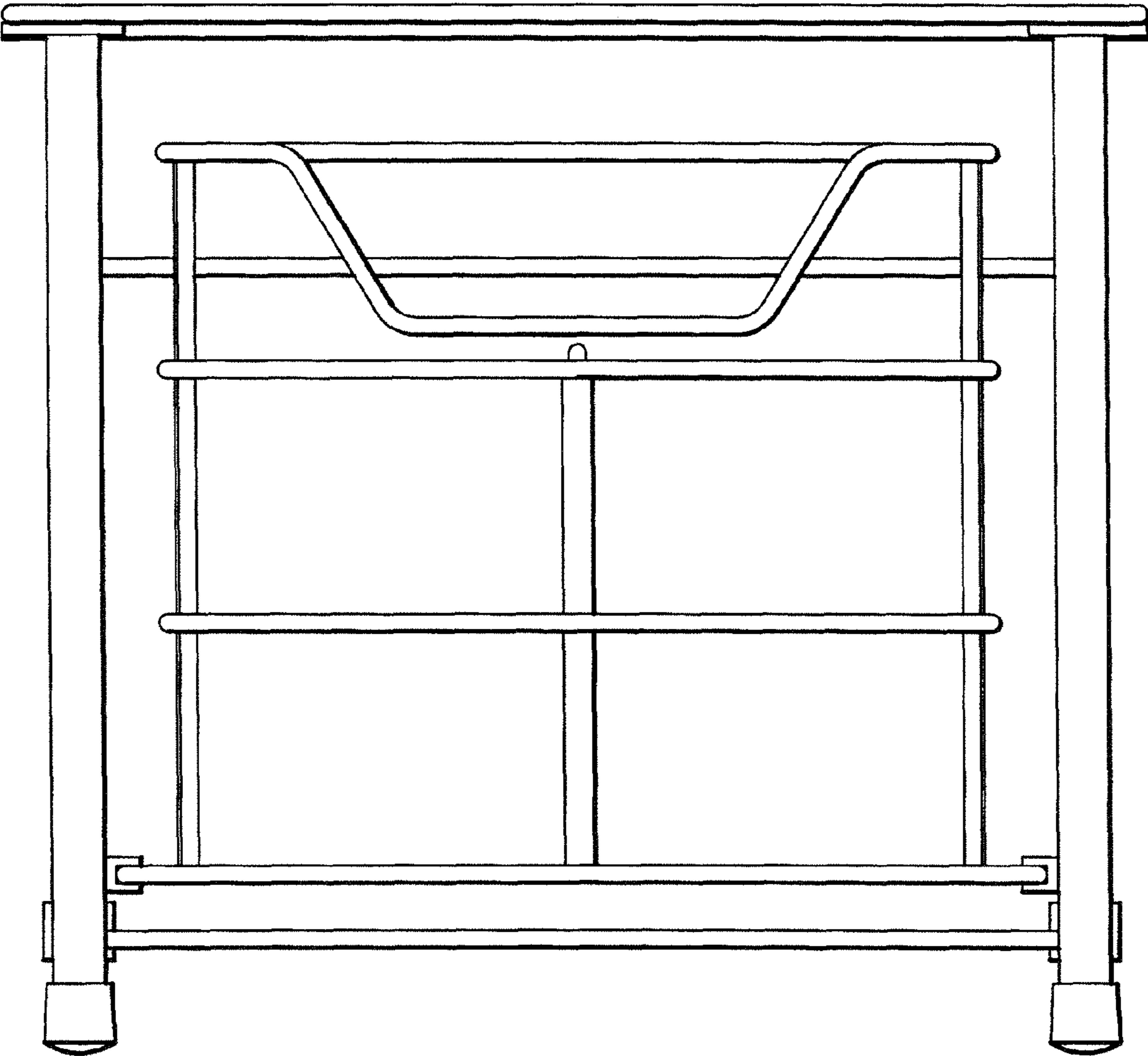


FIG.5

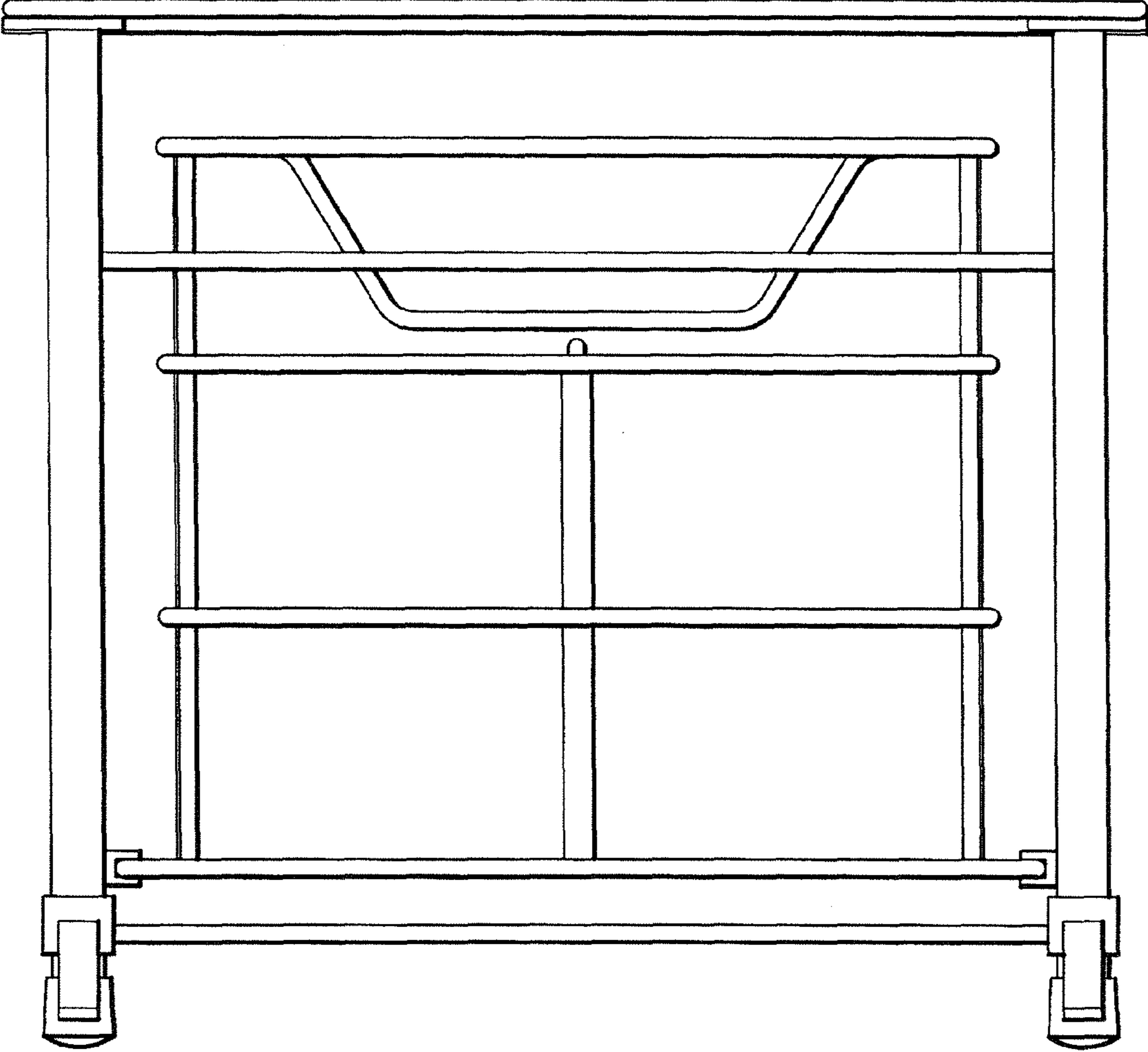


FIG.6

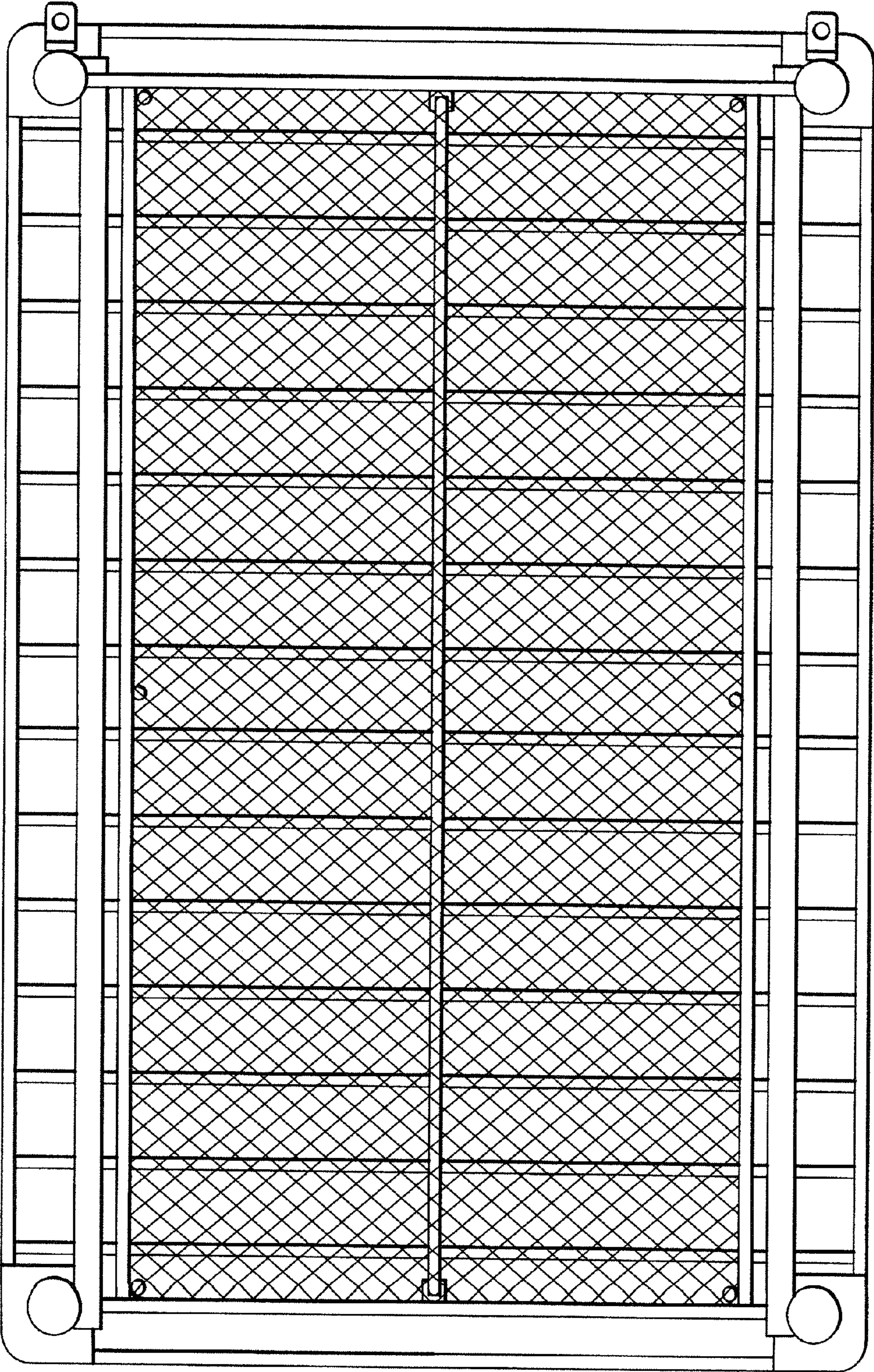


FIG. 7