

US00D657585S

(12) **United States Design Patent**  
**Zhou**

(10) **Patent No.:** **US D657,585 S**  
(45) **Date of Patent:** **\*\* Apr. 17, 2012**

(54) **HAMMOCK**

(75) Inventor: **Jian Zhou**, Zhejiang (CN)

(73) Assignee: **Zhejiang Zhengte Group Co., Ltd.**,  
Linhai, Zhejiang (CN)

(\*\*) Term: **14 Years**

(21) Appl. No.: **29/379,244**

(22) Filed: **Nov. 16, 2010**

(51) **LOC (9) Cl.** ..... **06-02**

(52) **U.S. Cl.** ..... **D6/387**

(58) **Field of Classification Search** ..... D6/385-387,  
D6/390, 391, 333, 331.503; 5/93.1, 98.1,  
5/98.3, 99.1, 100, 101, 102, 105, 945, 947,  
5/655, 93.2, 112, 114, 115, 120, 122, 123  
See application file for complete search history.

(56) **References Cited**

**U.S. PATENT DOCUMENTS**

3,321,780 A \* 5/1967 Morris ..... 5/122  
D294,901 S \* 3/1988 Partin ..... D6/502  
D342,841 S \* 1/1994 Campanello ..... D6/387

7,571,499 B2 \* 8/2009 Le Gette et al. .... 5/127  
7,712,163 B2 \* 5/2010 Flannery ..... 5/114  
2010/0287700 A1 \* 11/2010 Reeb et al. .... 5/127

\* cited by examiner

*Primary Examiner* — Janice Seeger

(74) *Attorney, Agent, or Firm* — Finnegan, Henderson,  
Farabow, Garrett & Dunner LLP

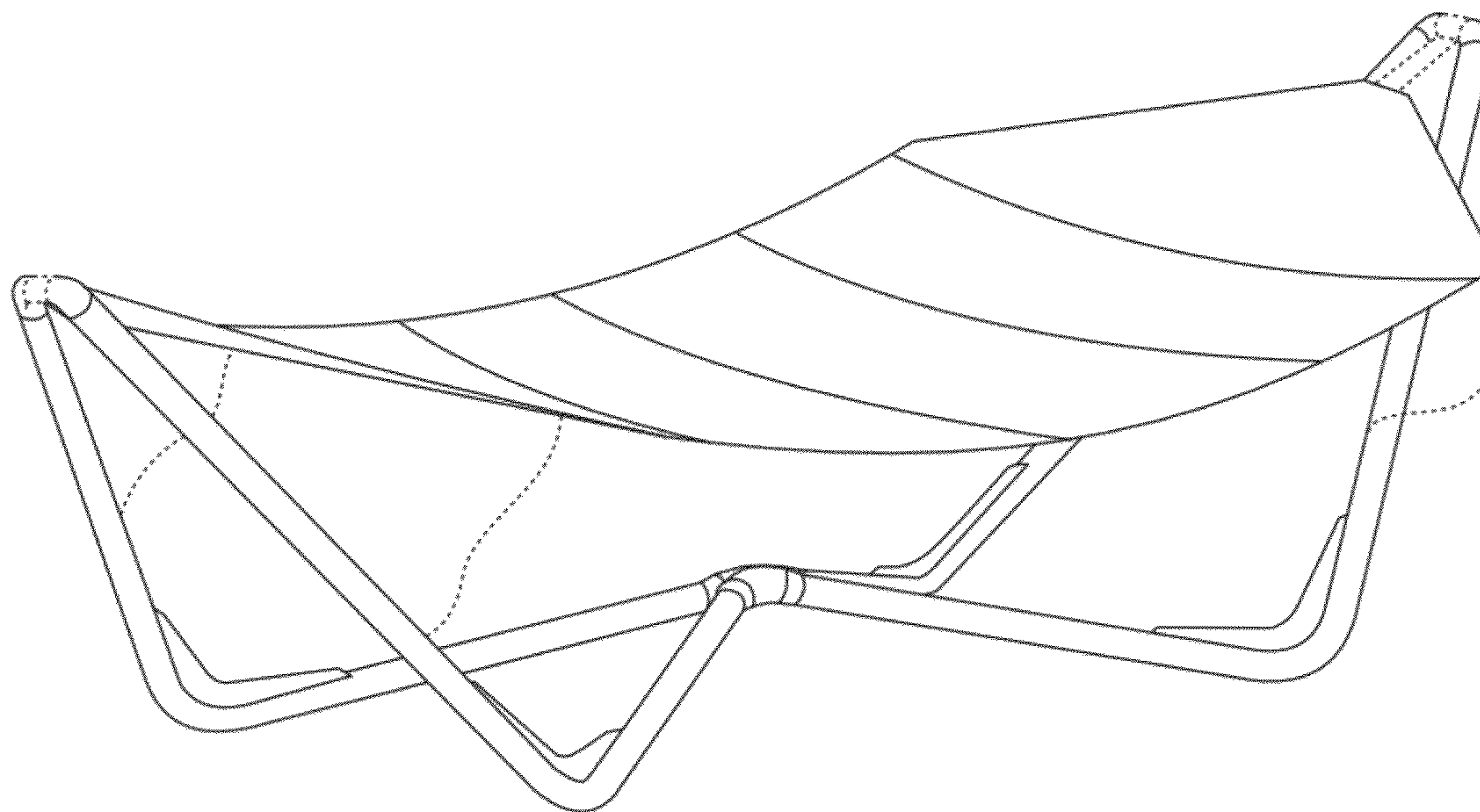
(57) **CLAIM**

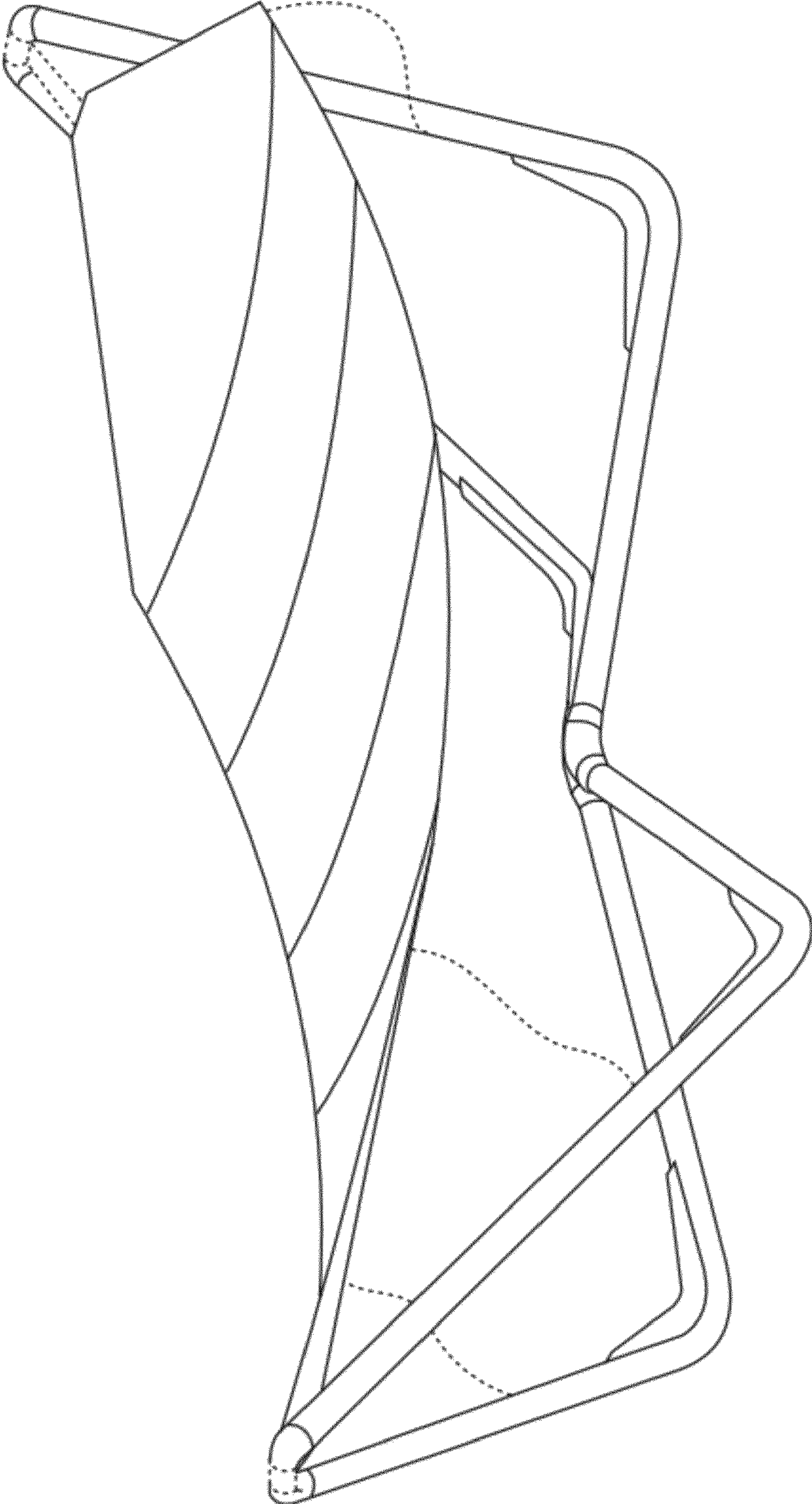
The ornamental design for a hammock, as shown and  
described.

**DESCRIPTION**

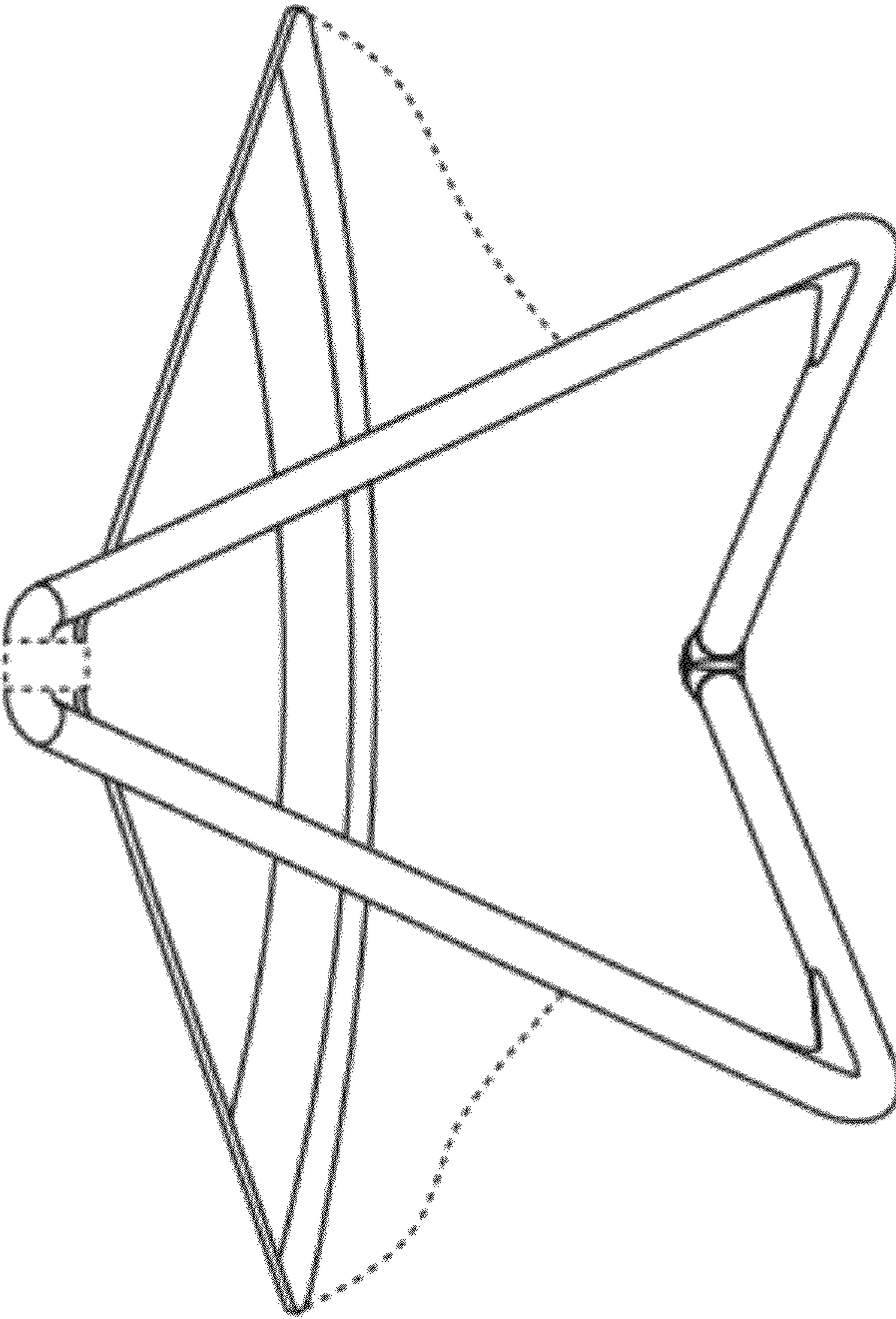
FIG. 1 is a perspective view of a hammock showing my new  
design;  
FIG. 2 is a left-side view thereof, the right-side view being  
identical thereto;  
FIG. 3 is a top plan view thereof;  
FIG. 4 is a bottom plan view thereof; and,  
FIG. 5 is a front plan view thereof.  
Broken lines depict environmental structure that forms no  
part of the claimed design.

**1 Claim, 5 Drawing Sheets**



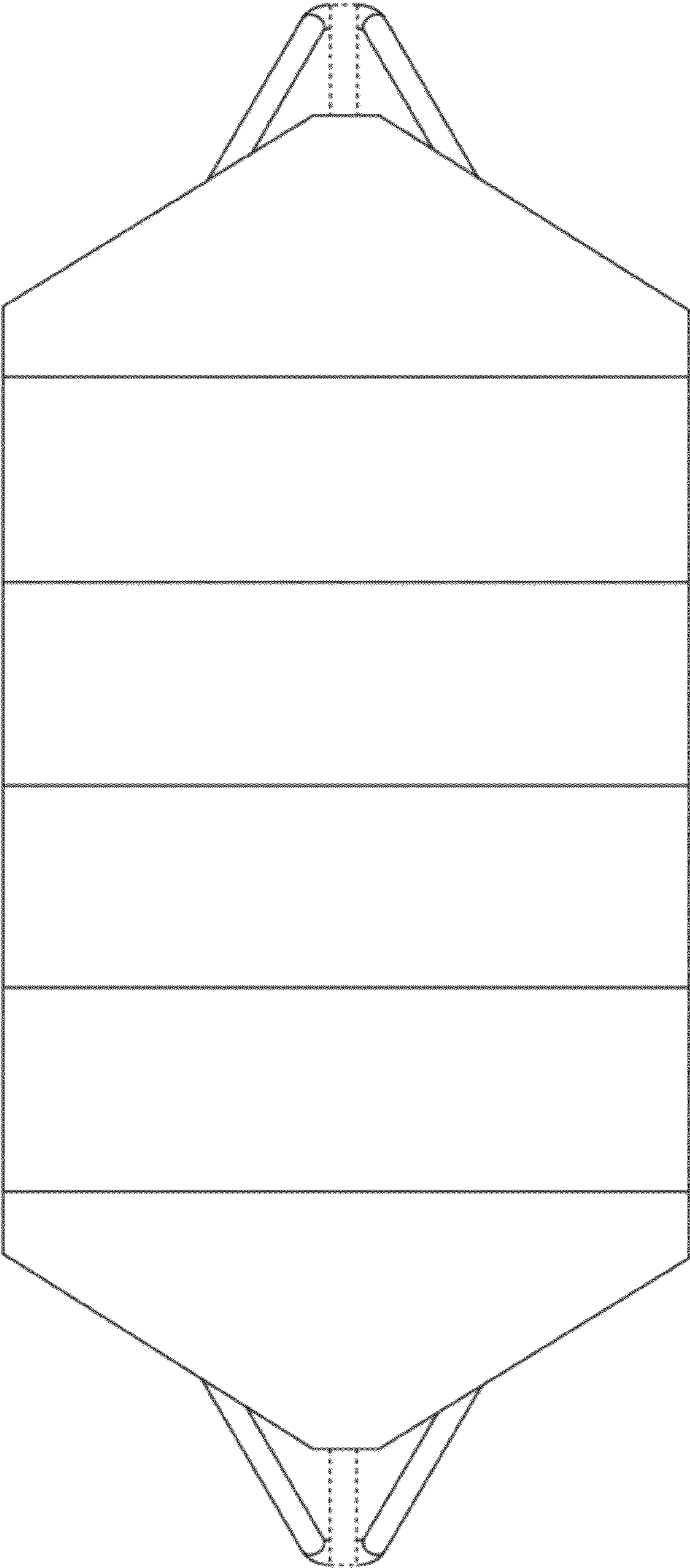


**FIG. 1**

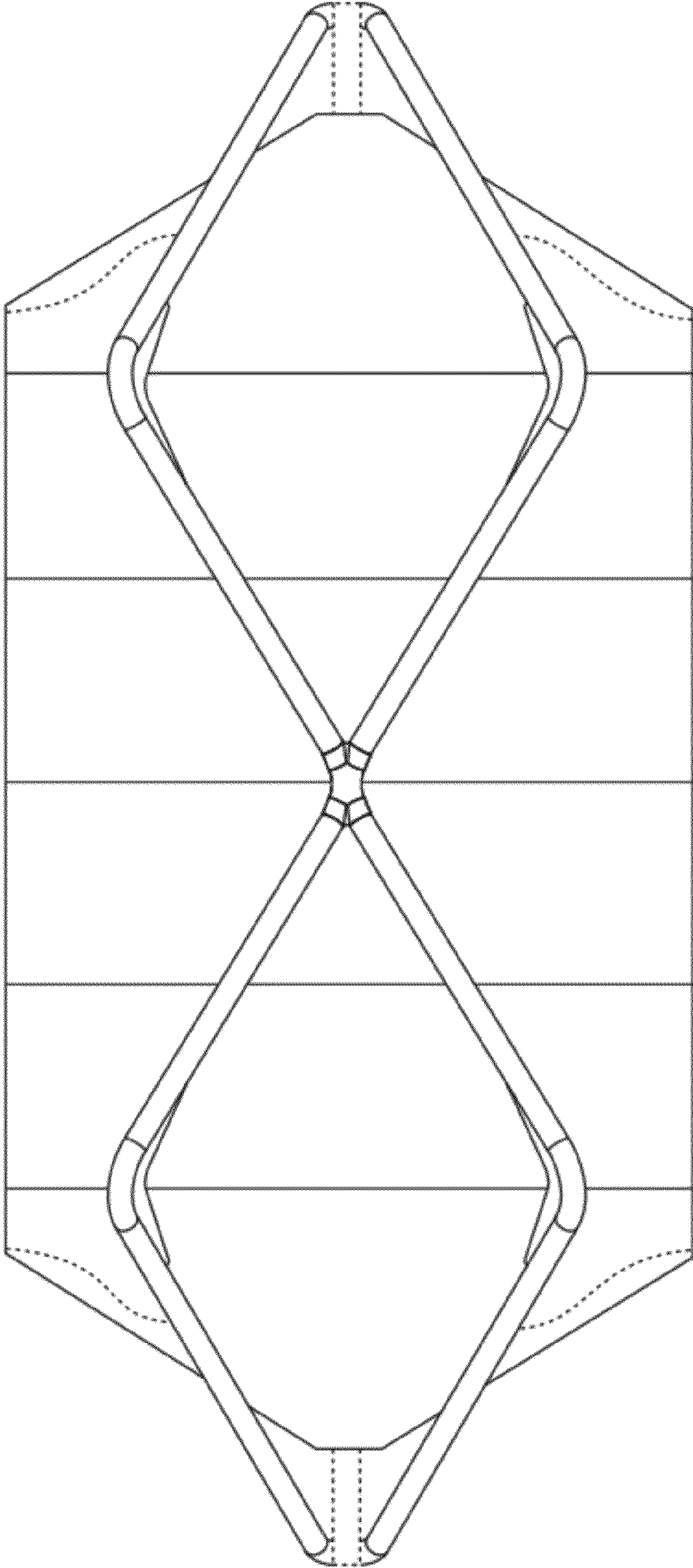


**FIG. 2**

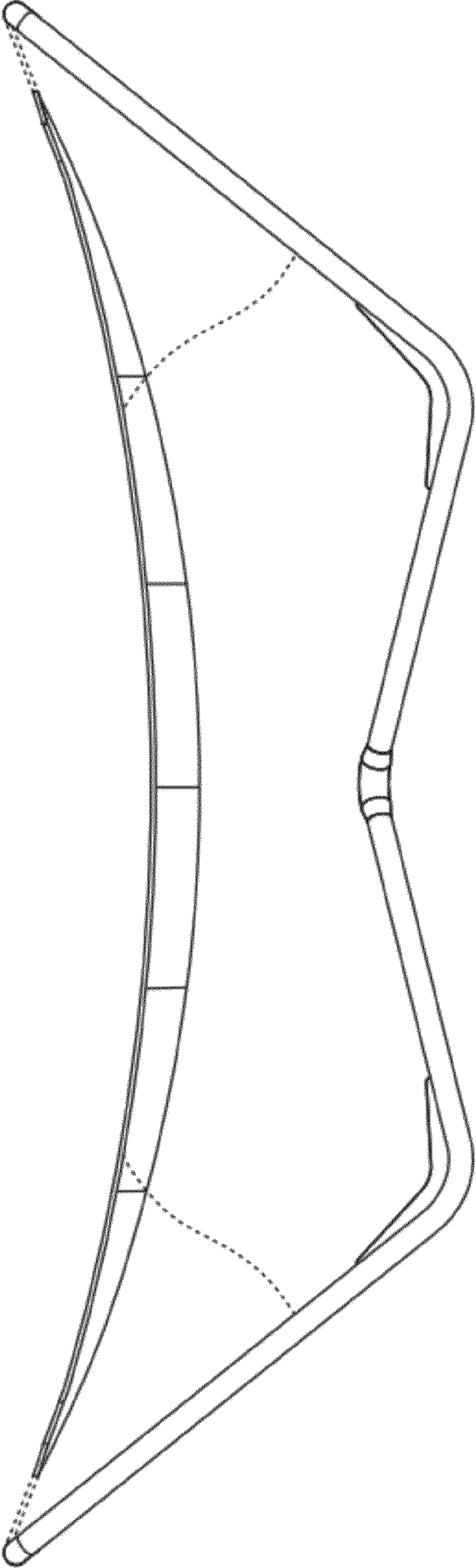




**FIG. 3**



**FIG. 4**



**FIG. 5**