



US00D657584S

(12) **United States Design Patent**
Nigro

(10) **Patent No.:** **US D657,584 S**

(45) **Date of Patent:** **** Apr. 17, 2012**

(54) **SEAT**

(75) Inventor: **Philippe Nigro**, Milan (IT)

(73) Assignee: **Roset S.A.** (FR)

(**) Term: **14 Years**

(21) Appl. No.: **29/364,947**

(22) Filed: **Jun. 30, 2010**

(51) **LOC (9) Cl.** **06-01**

(52) **U.S. Cl.** **D6/370; D6/379**

(58) **Field of Classification Search** D6/334–336,
D6/369, 370, 371–373, 374, 375, 376, 379,
D6/380, 500–502; 297/411.42, 411.43, 445.1,
297/446.1, 452.63, 452.64

See application file for complete search history.

(56) **References Cited**

U.S. PATENT DOCUMENTS

D188,046 S * 5/1960 Galloway D6/379
D359,176 S * 6/1995 Tihany D6/379

D525,798 S * 8/2006 Lowsky D6/370
D547,079 S * 7/2007 Wang et al. D6/369
D612,628 S * 3/2010 Mourgue D6/379
D648,557 S * 11/2011 Frinier D6/369

* cited by examiner

Primary Examiner — Mimosa De

(74) *Attorney, Agent, or Firm* — Cantor Colburn LLP

(57) **CLAIM**

The ornamental design for a seat, as shown and described.

DESCRIPTION

FIG. 1 is a front perspective view of a seat, showing my new design;

FIG. 2 is a front elevation view thereof;

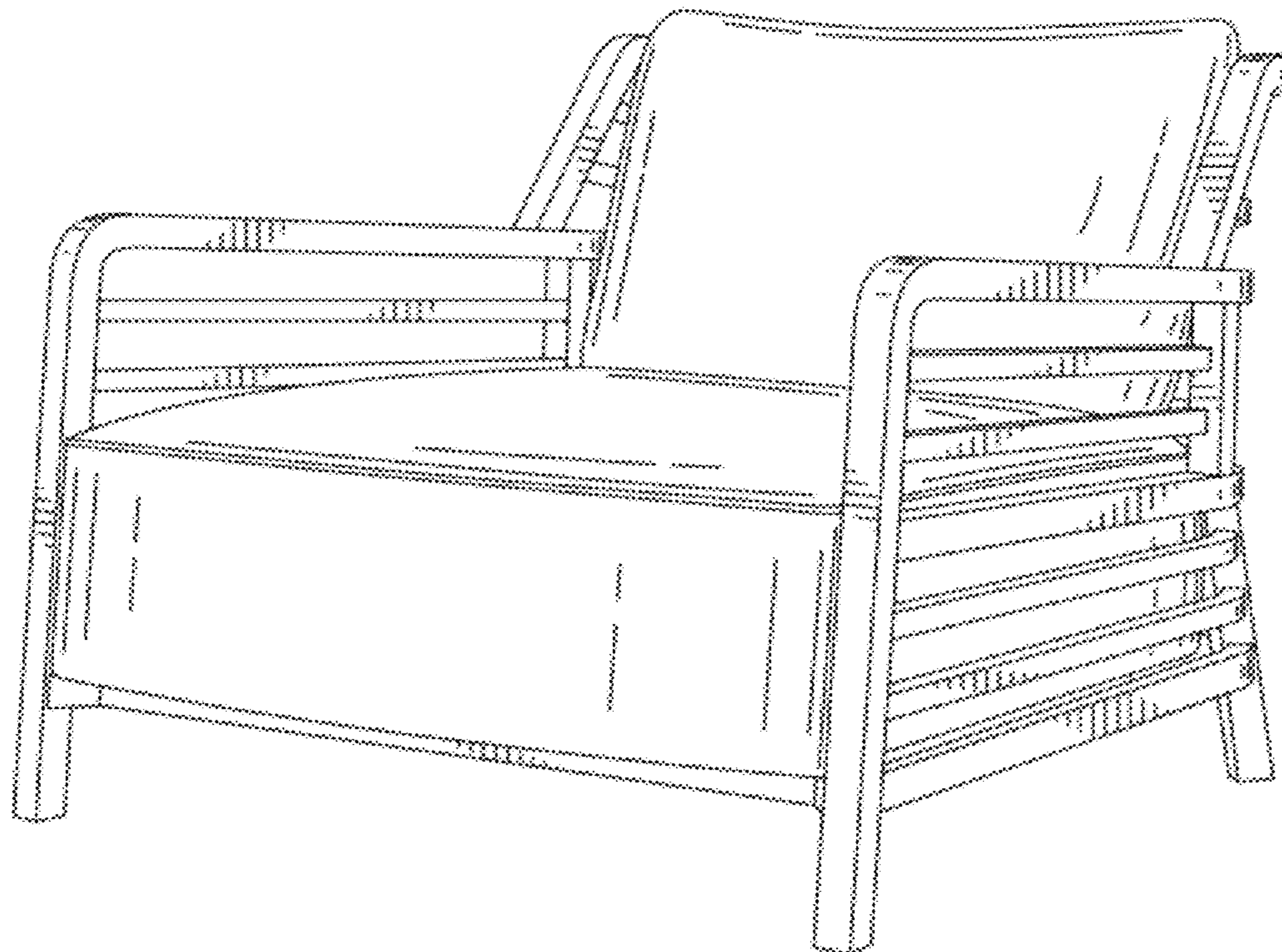
FIG. 3 is a side elevation view thereof taken from the right side of FIG. 2;

FIG. 4 is a rear elevation view thereof;

FIG. 5 is a side elevation view thereof taken from the left side of FIG. 2; and,

FIG. 6 is a top plan view thereof.

1 Claim, 6 Drawing Sheets



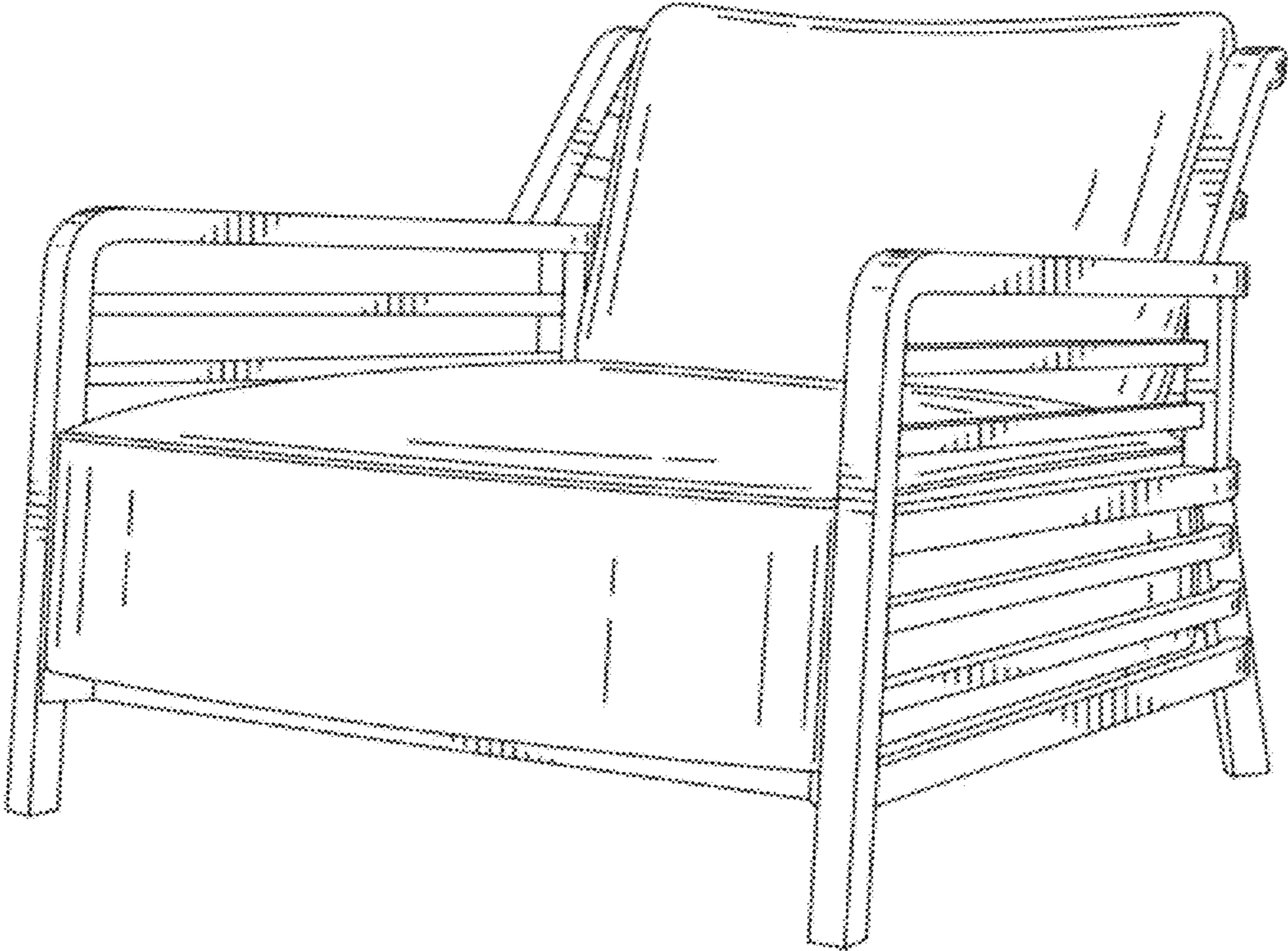


FIG. 1

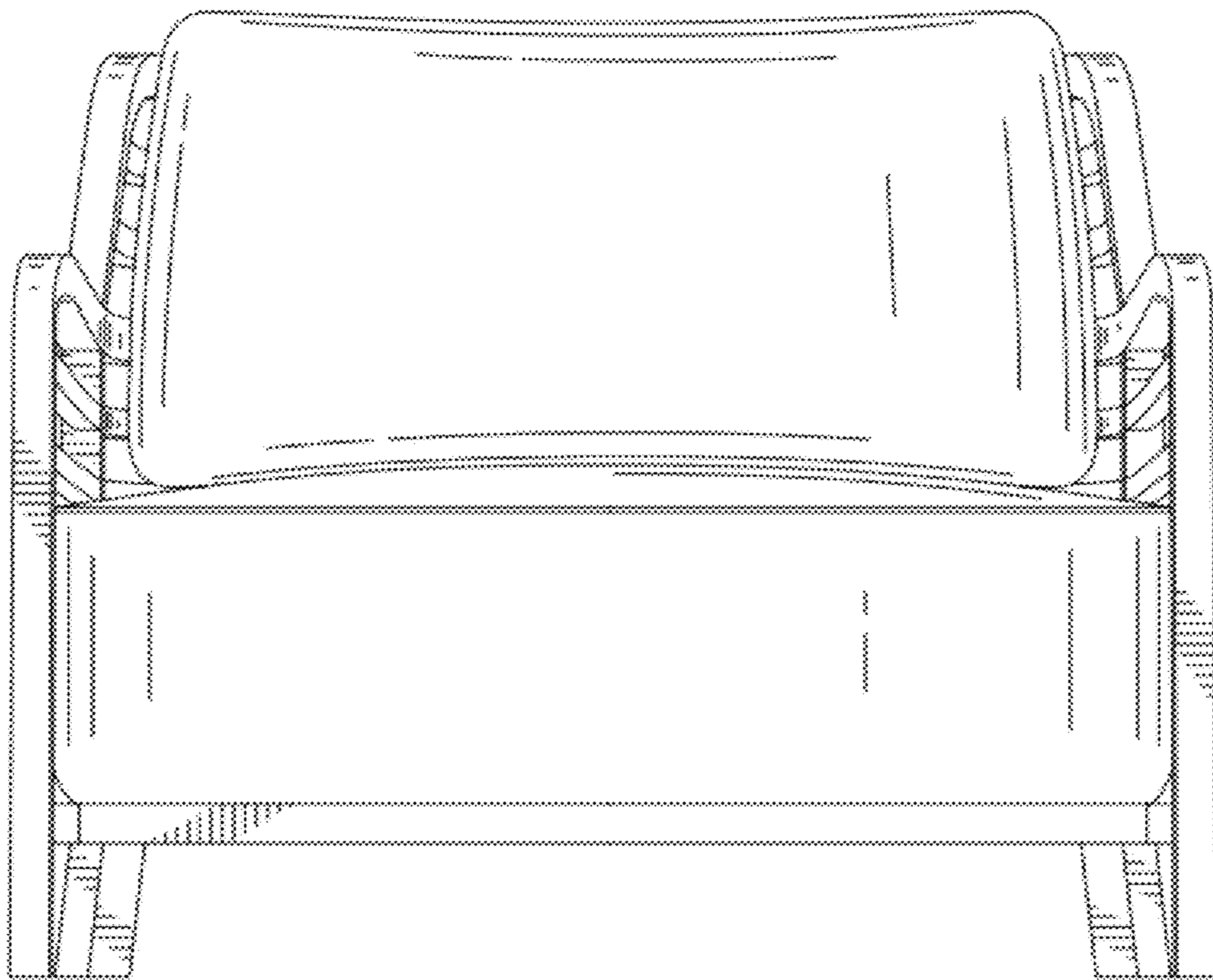


FIG. 2

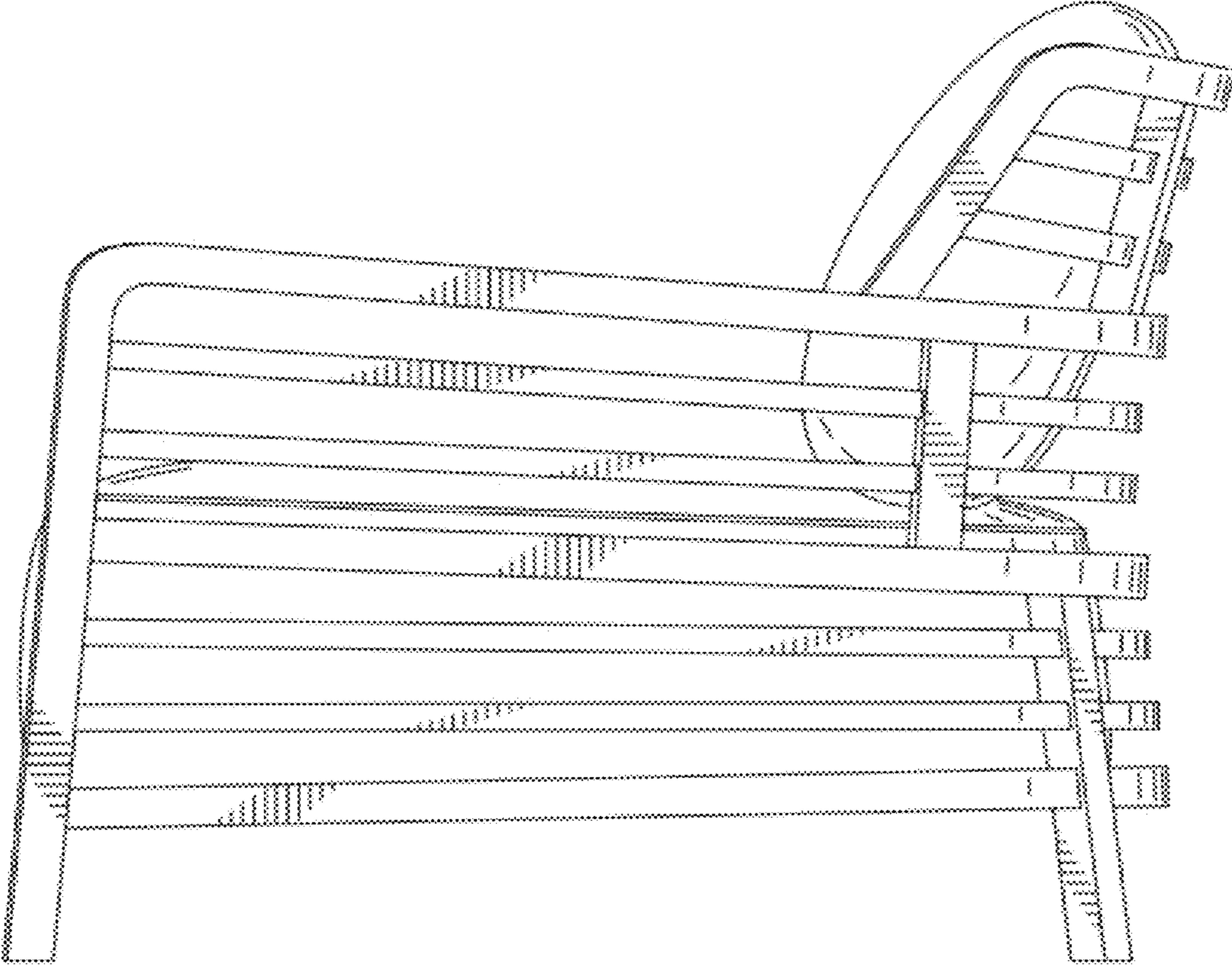


FIG. 3

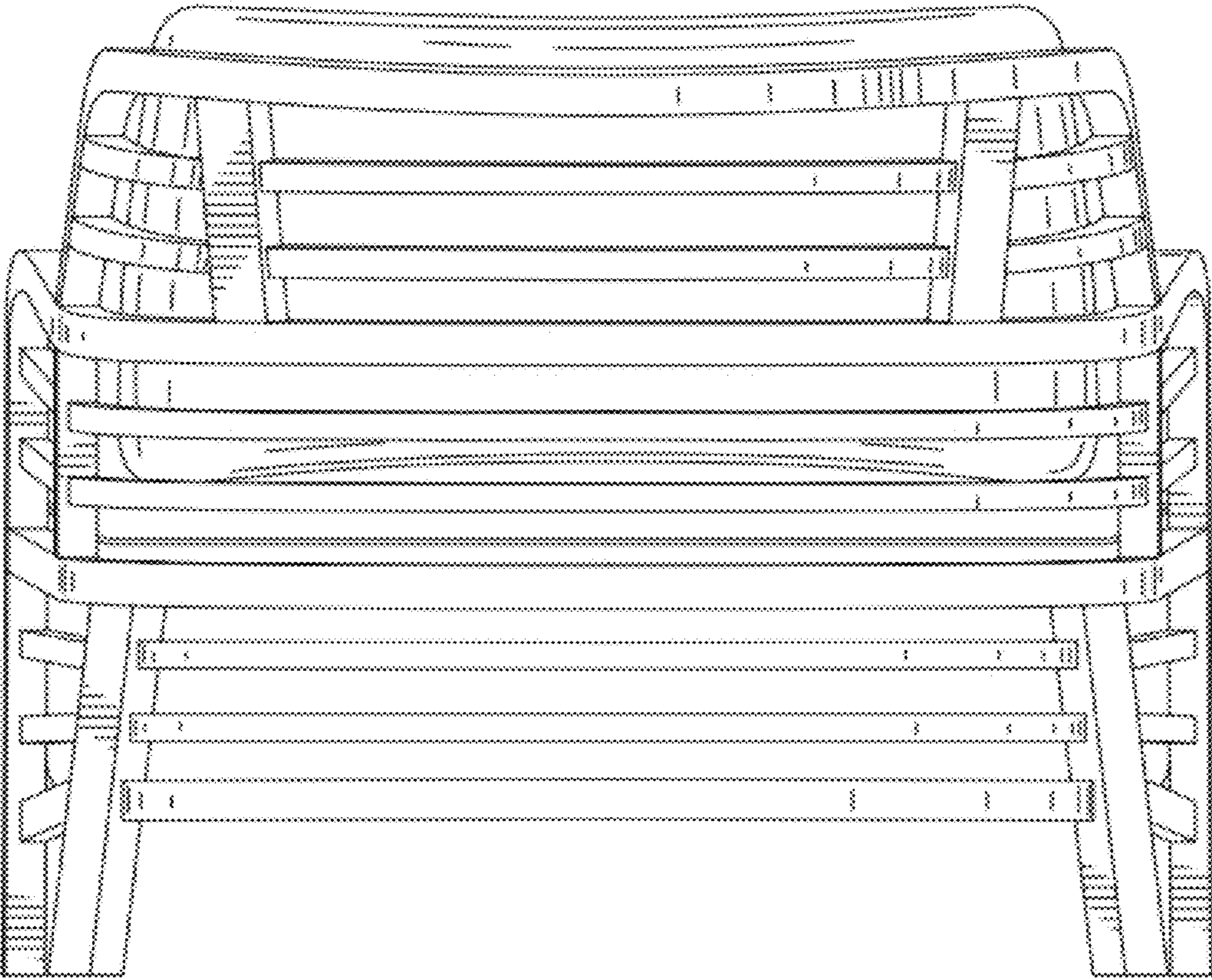


FIG. 4

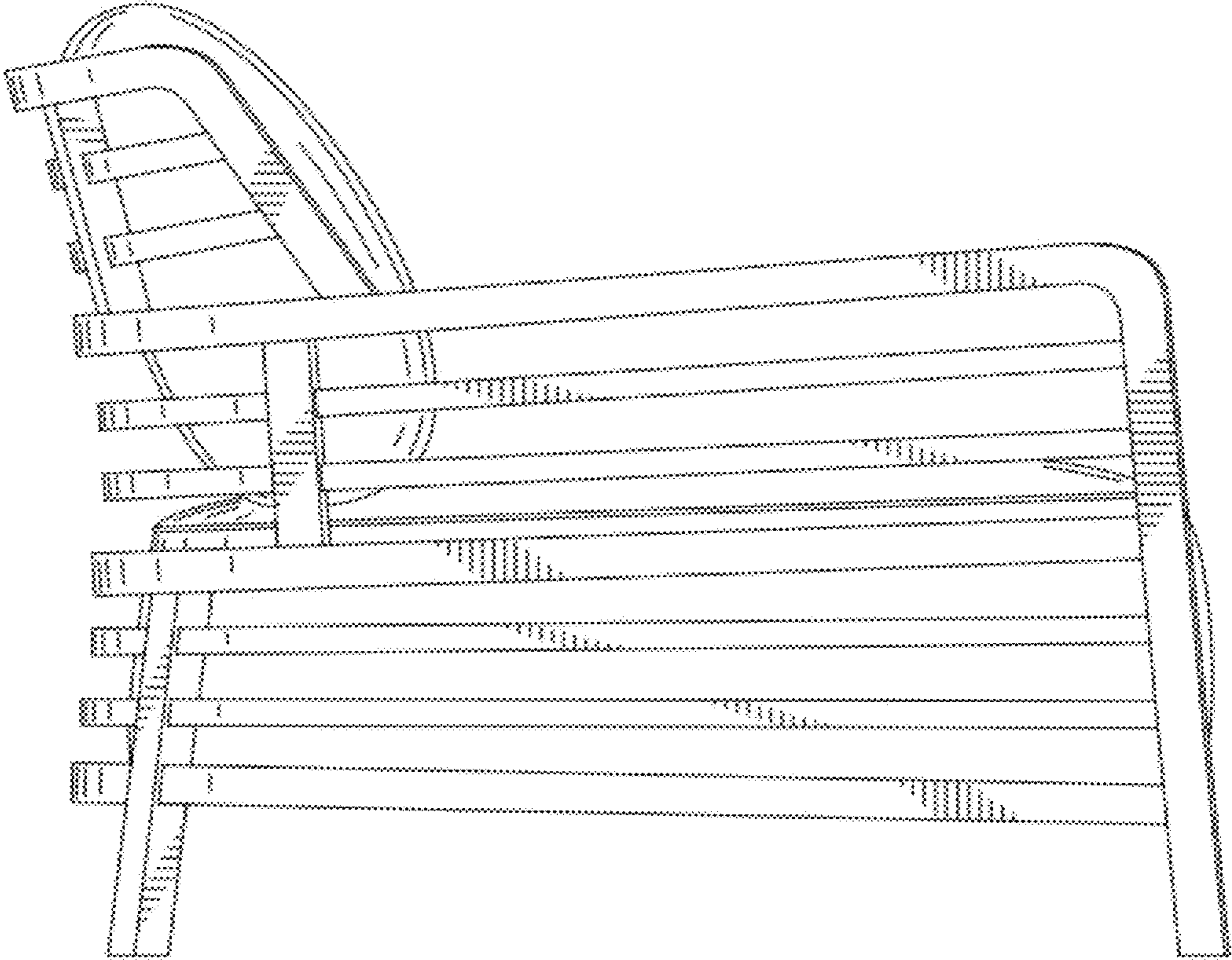


FIG. 5

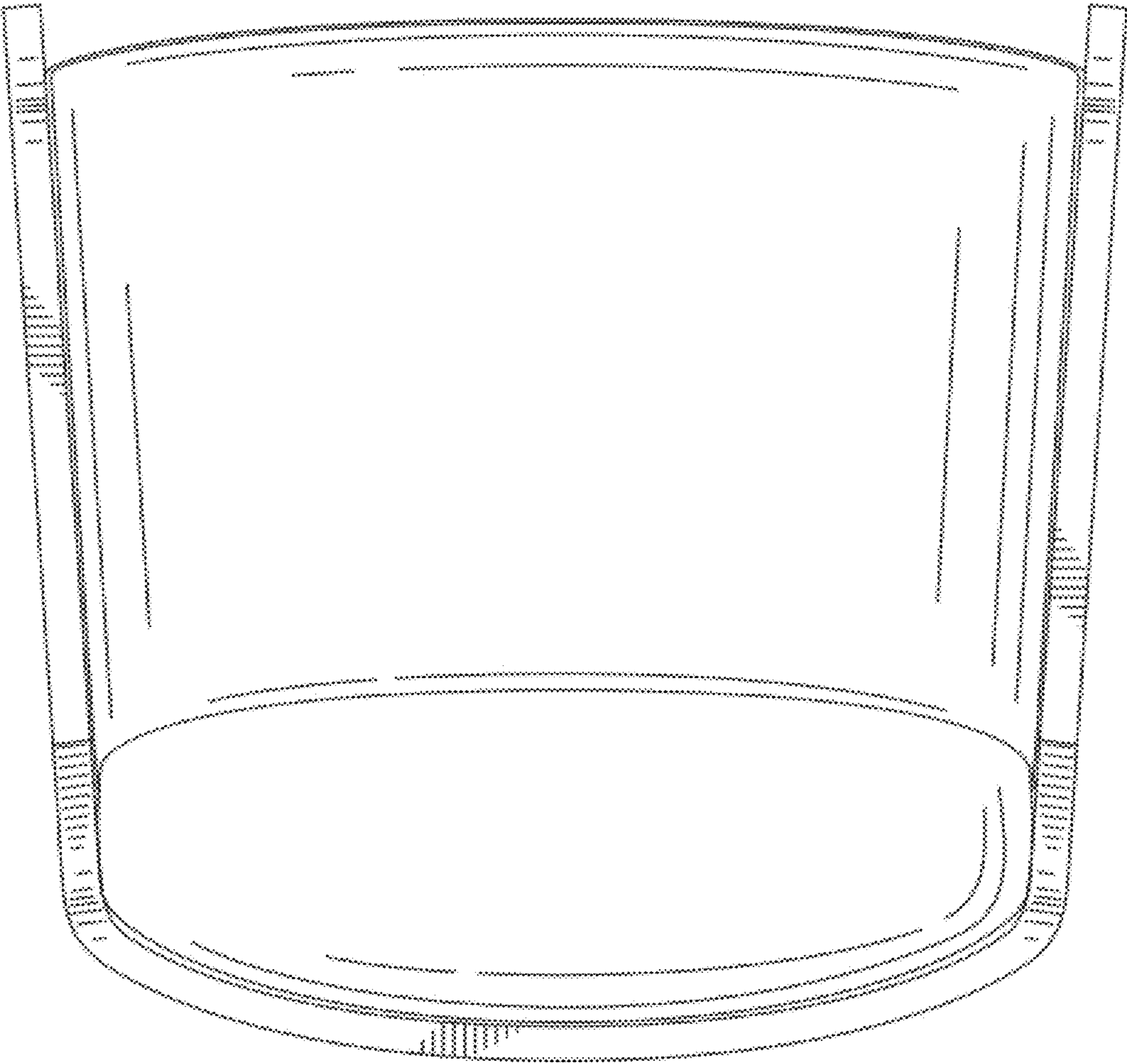


FIG. 6

UNITED STATES PATENT AND TRADEMARK OFFICE
CERTIFICATE OF CORRECTION

PATENT NO. : D657,584 S
APPLICATION NO. : 29/364947
DATED : April 17, 2012
INVENTOR(S) : Philippe Nigro

Page 1 of 1

It is certified that error appears in the above-identified patent and that said Letters Patent is hereby corrected as shown below:

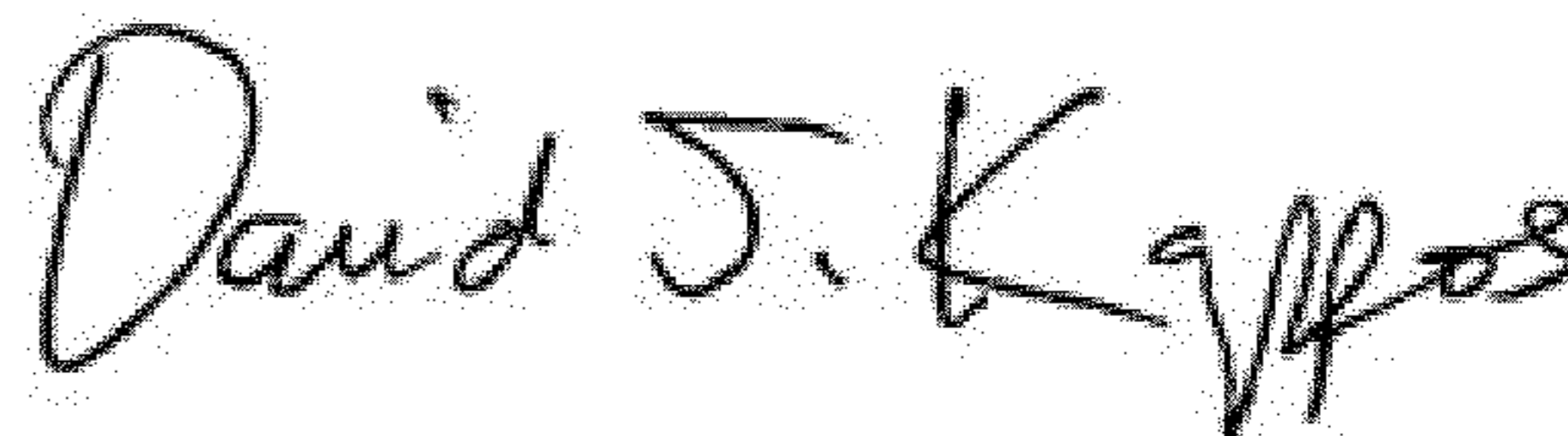
On the Title page, item:

(30) Foreign Application Priority Data

Please replace with the following:

Jan. 21, 2010 (EM) DM/073 112

Signed and Sealed this
Seventeenth Day of July, 2012



David J. Kappos
Director of the United States Patent and Trademark Office