



US00D657582S

(12) **United States Design Patent**
Wilson et al.

(10) **Patent No.:** **US D657,582 S**
(45) **Date of Patent:** **** Apr. 17, 2012**

(54) **CHAIR**
(75) Inventors: **Scott Wilson**, Chicago, IL (US); **D. Matthew Puhalla**, Chicago, IL (US)
(73) Assignee: **Steelcase Inc.**, Grand Rapids, MI (US)
(**) Term: **14 Years**
(21) Appl. No.: **29/402,536**
(22) Filed: **Sep. 23, 2011**

3,142,514 A 7/1964 Ginat
3,226,161 A 12/1965 Platner
3,259,431 A 7/1966 Gale
D205,939 S 10/1966 Laverne
3,281,185 A 10/1966 Albinson et al.
D209,282 S 11/1967 Boyd
3,361,472 A 1/1968 Hasbrouck
D211,464 S 6/1968 Platner
3,441,310 A 4/1969 Gale
3,521,929 A 7/1970 Pearson
D219,376 S 12/1970 Pearson
D220,950 S 6/1971 Sideri
D226,648 S 4/1973 Sebel
D230,670 S 3/1974 Begge
D245,378 S 8/1977 Roericht
D245,886 S 9/1977 Wilson
4,170,382 A 10/1979 Wheeler
D254,104 S 2/1980 Wilson
D271,825 S 12/1983 Snodgrass
4,427,232 A 1/1984 Malm

Related U.S. Application Data

(62) Division of application No. 29/360,947, filed on May 3, 2010, now Pat. No. Des. 648,946.
(51) **LOC (9) Cl.** **06-01**
(52) **U.S. Cl.** **D6/366; D6/500**
(58) **Field of Classification Search** D6/334-336, D6/360-369, 373-374, 379-380, 498, 500-502, D6/601; 297/284.4-284.5, 291, 297, 411.2, 297/411.27-411.29, 452.13, 452.19, 452.21, 297/452.29, 452.3, 452.56, 452.64
See application file for complete search history.

Primary Examiner — Ricky Pham
(74) *Attorney, Agent, or Firm* — Price Heneveld LLP

(Continued)

(57) **CLAIM**
We claim the ornamental design for the chair, as shown and described.

(56) **References Cited**

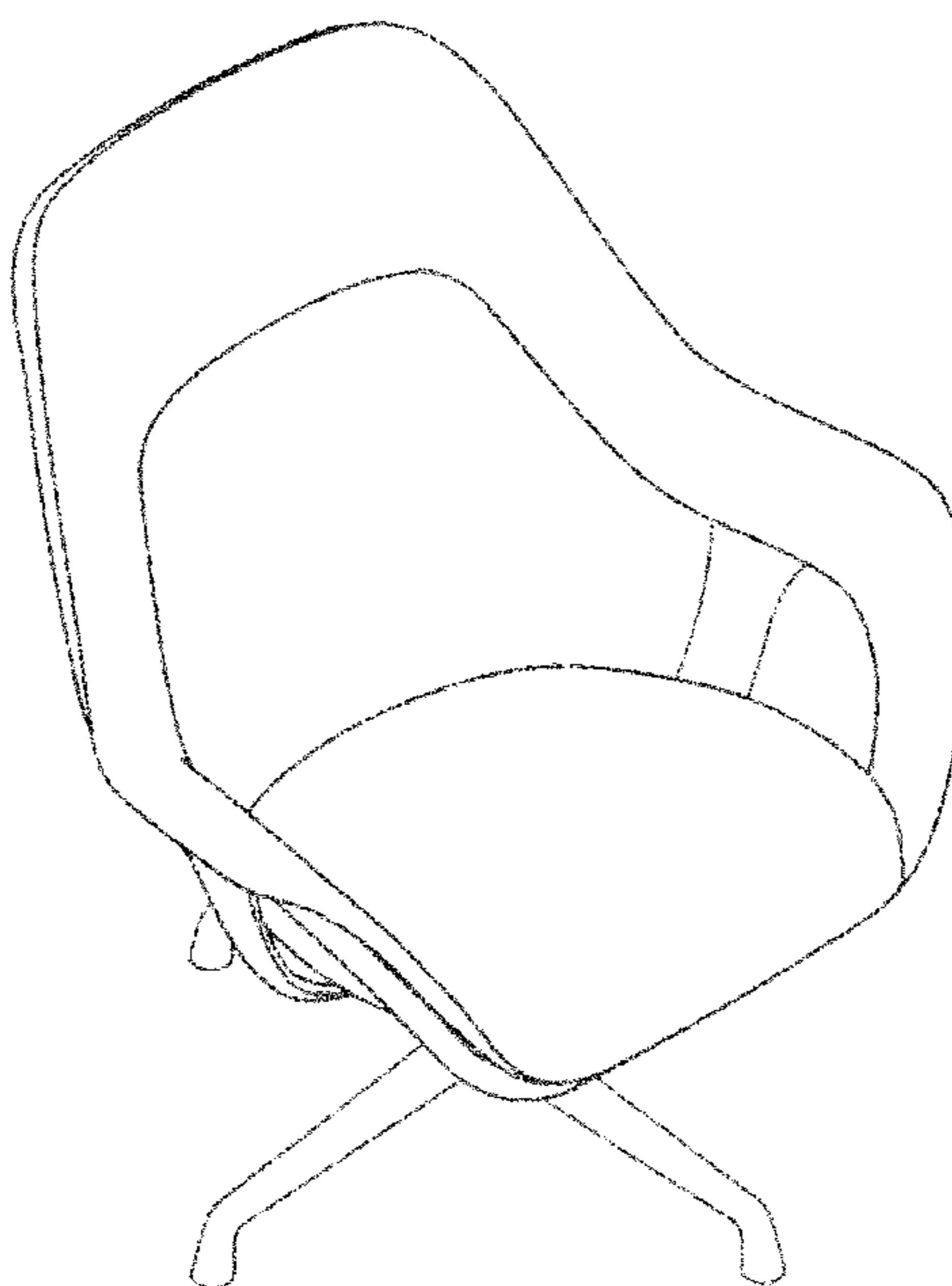
U.S. PATENT DOCUMENTS

1,737 A 8/1840 King
D170,790 S 11/1953 Bertioia
D170,791 S 11/1953 Bertioia
D181,945 S 1/1958 Saarinen
D183,416 S 8/1958 Bellmann
2,845,699 A 8/1958 Woodard
2,989,112 A 6/1961 Sonnleitner
D192,029 S 1/1962 Avedon
D193,847 S 10/1962 Mason
D193,889 S 10/1962 Buzzitta
D196,429 S 10/1963 Johnson

DESCRIPTION

FIG. 1 is a perspective view of the chair embodying the present invention;
FIG. 2 is a front perspective view of the chair shown in FIG. 1;
FIG. 3 is a side elevational view of the chair shown in FIG. 1, the opposite side view being a mirror image thereof;
FIG. 4 is a rear perspective view of the chair shown in FIG. 1;
FIG. 5 is a top plan view of the chair shown in FIG. 1; and,
FIG. 6 is a bottom plan view of the chair shown in FIG. 1.

1 Claim, 5 Drawing Sheets



US D657,582 S

U.S. PATENT DOCUMENTS					
D274,198 S	6/1984	Keeler		D525,446 S	7/2006 Farber
D275,050 S	8/1984	Aronowitz et al.		D525,461 S	7/2006 Egger
D275,158 S	8/1984	Aronowitz et al.		D525,462 S	7/2006 Egger
D275,341 S	9/1984	Dunbar et al.		D525,796 S	8/2006 Thomkins
4,500,137 A	2/1985	Morehouse		D526,145 S	8/2006 Kita
D279,943 S	8/1985	Ogg		D526,822 S	8/2006 Chen et al.
D281,840 S	12/1985	Ogg		D531,420 S	11/2006 Kita
D282,221 S	1/1986	Platner		D540,553 S	4/2007 Dramov
D282,222 S *	1/1986	Platner	D6/366	D544,731 S	6/2007 Su
D287,551 S	1/1987	Lewis		D544,732 S	6/2007 Mazzera
D288,388 S	2/1987	Ochsner		D544,733 S	6/2007 Mazzera
D288,506 S	3/1987	Ochsner		D546,085 S	7/2007 Ritch et al.
D291,508 S	8/1987	Herr		D549,014 S	8/2007 Donati
D296,731 S	7/1988	Hollington		D549,973 S	9/2007 Petrucci
D298,088 S	10/1988	Haukvik et al.		D550,988 S	9/2007 Mazzera
D304,885 S *	12/1989	Wilson	D6/379	D551,867 S	10/2007 Yusuf
D314,475 S	2/1991	Binfare		D552,362 S	10/2007 Bouroullec et al.
D316,192 S *	4/1991	Murry et al.	D6/366	D552,385 S	10/2007 Yeh
D316,937 S *	5/1991	Murry	D6/366	D554,382 S	11/2007 Nobles et al.
D321,436 S	11/1991	Paris		D554,386 S	11/2007 Nobles et al.
D326,780 S	6/1992	Morgan		D555,380 S	11/2007 Farber
5,169,210 A	12/1992	Fricano		D555,926 S	11/2007 Williams et al.
5,203,853 A	4/1993	Caruso		D557,043 S	12/2007 Egger
5,366,276 A	11/1994	Hobson et al.		D557,916 S	12/2007 Dietrich
D354,633 S	1/1995	Frinier		D560,380 S	1/2008 Mourgue
D362,144 S *	9/1995	Tosoni	D6/500	D560,406 S	1/2008 Privatt et al.
D371,012 S	6/1996	Klein		D560,918 S	2/2008 Fuksas
D371,265 S *	7/1996	McDiarmid	D6/502	D561,498 S	2/2008 Egger
D372,366 S	8/1996	Frinier		D568,617 S	5/2008 Jehs et al.
5,653,499 A	8/1997	Goodall		D572,929 S	7/2008 van Ierssel et al.
D386,910 S	12/1997	Saiger		D573,363 S	7/2008 Pillet
D391,090 S	2/1998	Schwartz		D574,643 S	8/2008 Petrucci
D392,118 S	3/1998	Proserpio		D577,214 S	9/2008 Thomkins
D393,956 S	5/1998	Kane		D578,786 S	10/2008 Cantarutti
5,816,649 A	10/1998	Shields		D582,173 S	12/2008 Dordoni
D407,583 S	4/1999	Perl		D582,183 S	12/2008 Egger
5,909,864 A	6/1999	Wang		D583,592 S	12/2008 Johnson
5,954,393 A	9/1999	Perrin		D583,593 S	12/2008 Egger
D417,795 S	12/1999	Rashid		D583,594 S	12/2008 Tamara
D419,788 S	2/2000	Schwartz et al.		D584,521 S	1/2009 Massaud
D436,749 S	1/2001	Arad		D584,901 S	1/2009 Massaud
D440,064 S	4/2001	Deacon		D584,907 S	1/2009 Egger
D442,378 S	5/2001	Arad		D585,206 S	1/2009 Mourgue
D447,895 S	9/2001	Chen		D585,655 S	2/2009 Pearson et al.
6,352,302 B1	3/2002	Piretti, Jr.		D585,656 S	2/2009 Massaud
D458,764 S	6/2002	Starck		D585,657 S	2/2009 Massaud
D458,776 S	6/2002	Patton		D586,137 S	2/2009 Massaud
D460,884 S	7/2002	Koepke et al.		D586,139 S	2/2009 Massaud
D461,345 S	8/2002	Holbrook et al.		D587,916 S	3/2009 Bouroullec et al.
6,523,898 B1	2/2003	Ball et al.		D590,616 S *	4/2009 Benn
D471,039 S	3/2003	Chen		D592,871 S	5/2009 Guan
D472,079 S	3/2003	Chen		D596,414 S *	7/2009 Natuzzi
D475,557 S	6/2003	Su		D596,864 S	7/2009 Bergmann et al.
D475,871 S	6/2003	Tsai		D596,871 S	7/2009 Farber
D477,720 S	7/2003	Diaz-Azcuy		D600,033 S	9/2009 Natuzzi
D482,217 S	11/2003	Lin		D600,458 S	9/2009 Starck
D482,549 S	11/2003	Tsai		D600,930 S	9/2009 Overthun et al.
6,644,749 B2	11/2003	VanDeRiet et al.		D600,949 S	9/2009 Overthun et al.
D494,387 S	8/2004	McDiarmid		D603,177 S *	11/2009 Kubryk
D494,785 S	8/2004	Chen		D603,630 S	11/2009 True
D507,436 S	7/2005	Chao		D605,880 S	12/2009 Muller
D508,786 S	8/2005	Natuzzi		D607,225 S *	1/2010 Bauchet
D508,787 S	8/2005	Natuzzi		D609,037 S	2/2010 Miller et al.
D509,387 S	9/2005	Chen		D609,931 S	2/2010 Young-il et al.
D518,318 S	4/2006	Koepke		D610,377 S	2/2010 Kita
D518,968 S	4/2006	Magnani et al.		D648,553 S *	11/2011 Wilson et al.
D524,582 S	7/2006	Tsai		D648,946 S *	11/2011 Wilson et al.
D525,040 S	7/2006	Muller			

* cited by examiner

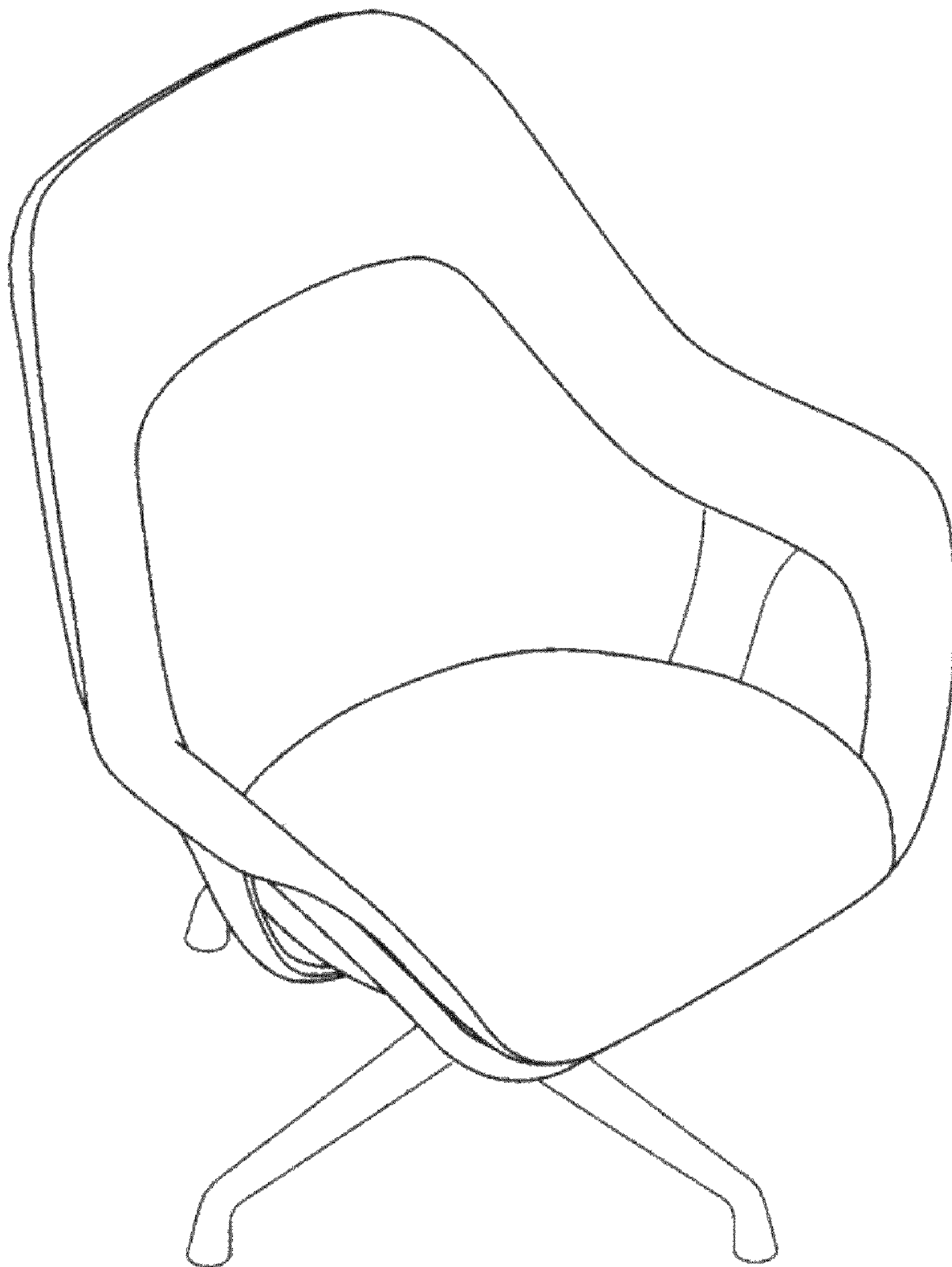


FIG. 1

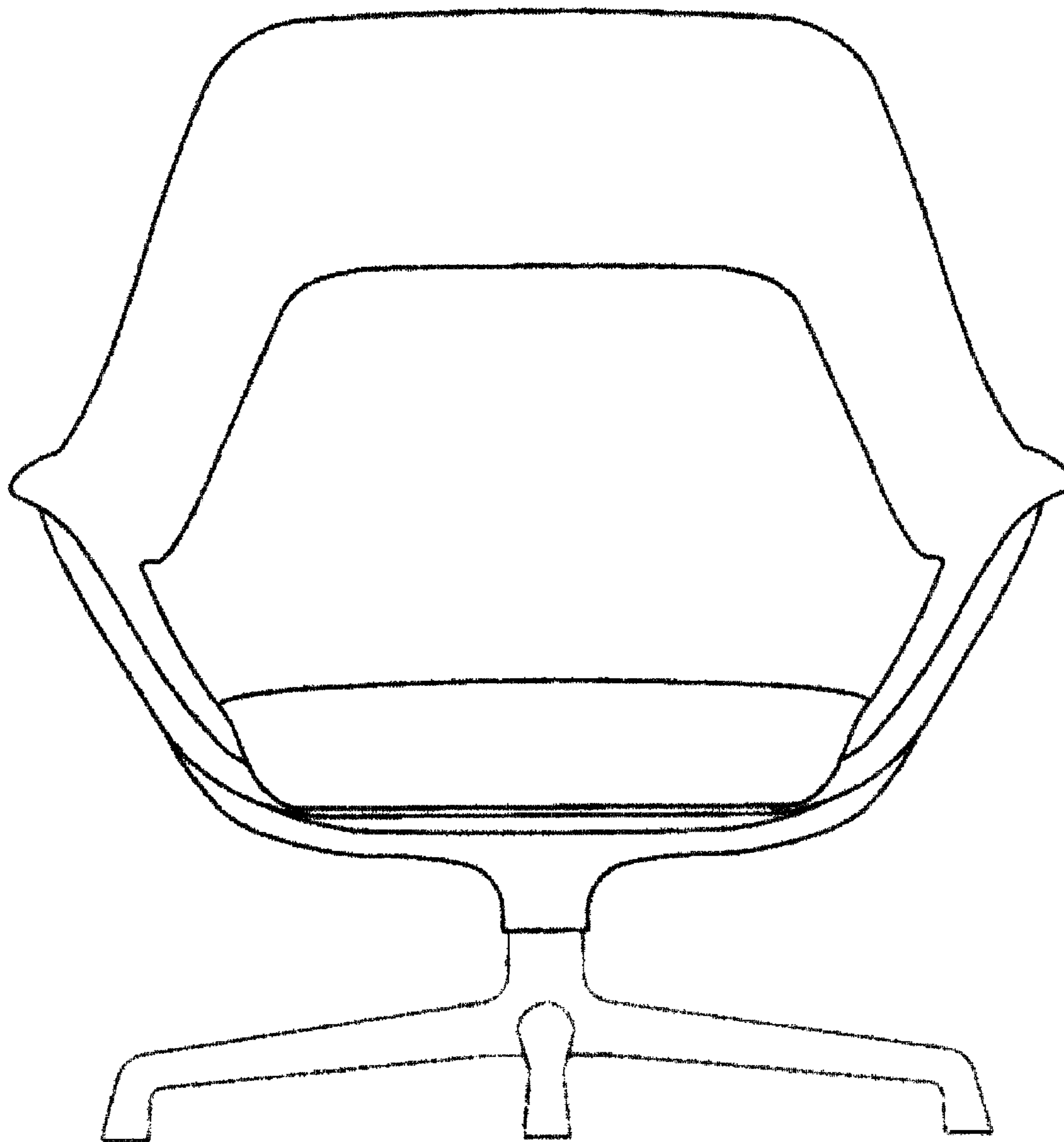


FIG. 2

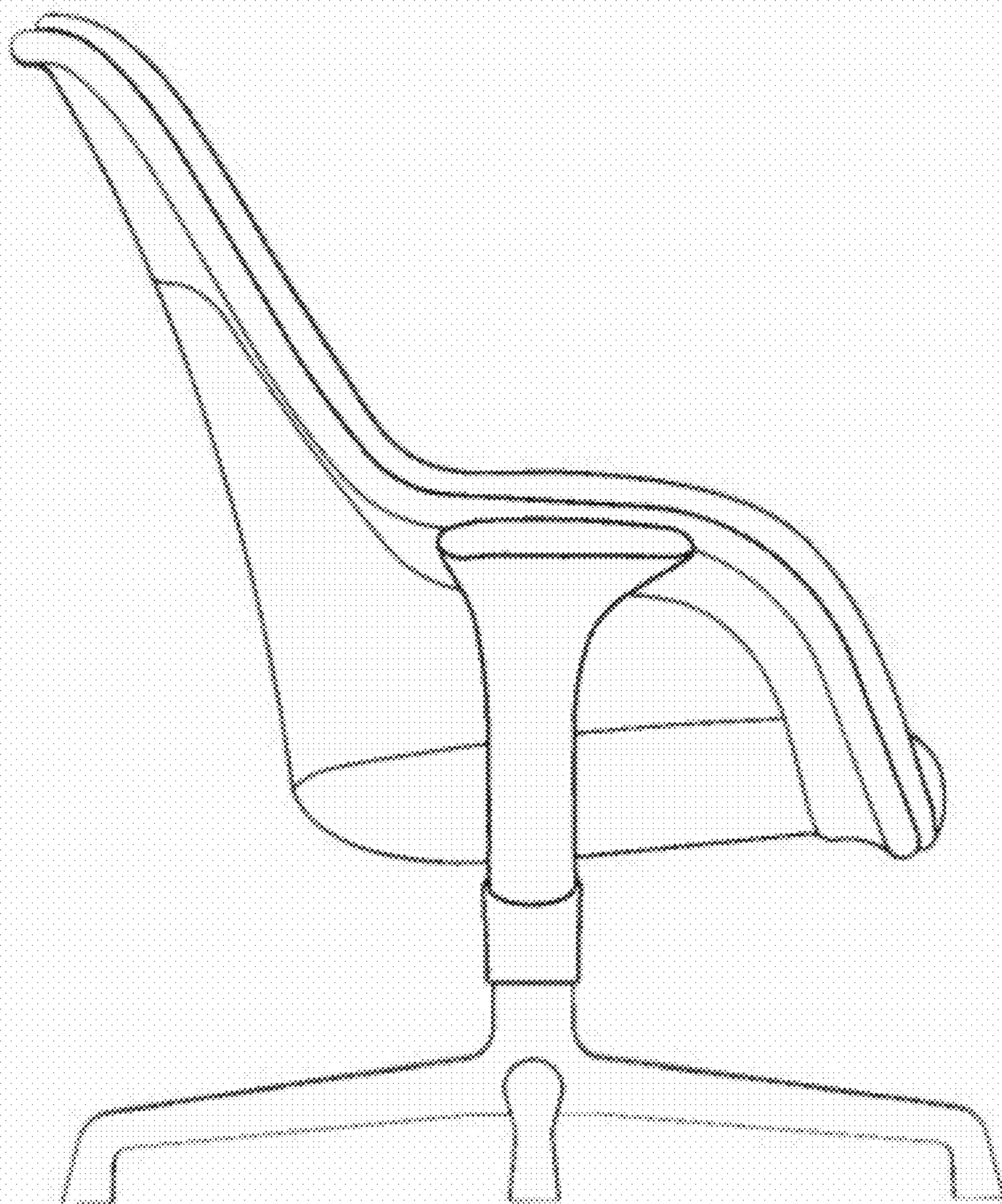


FIG. 3

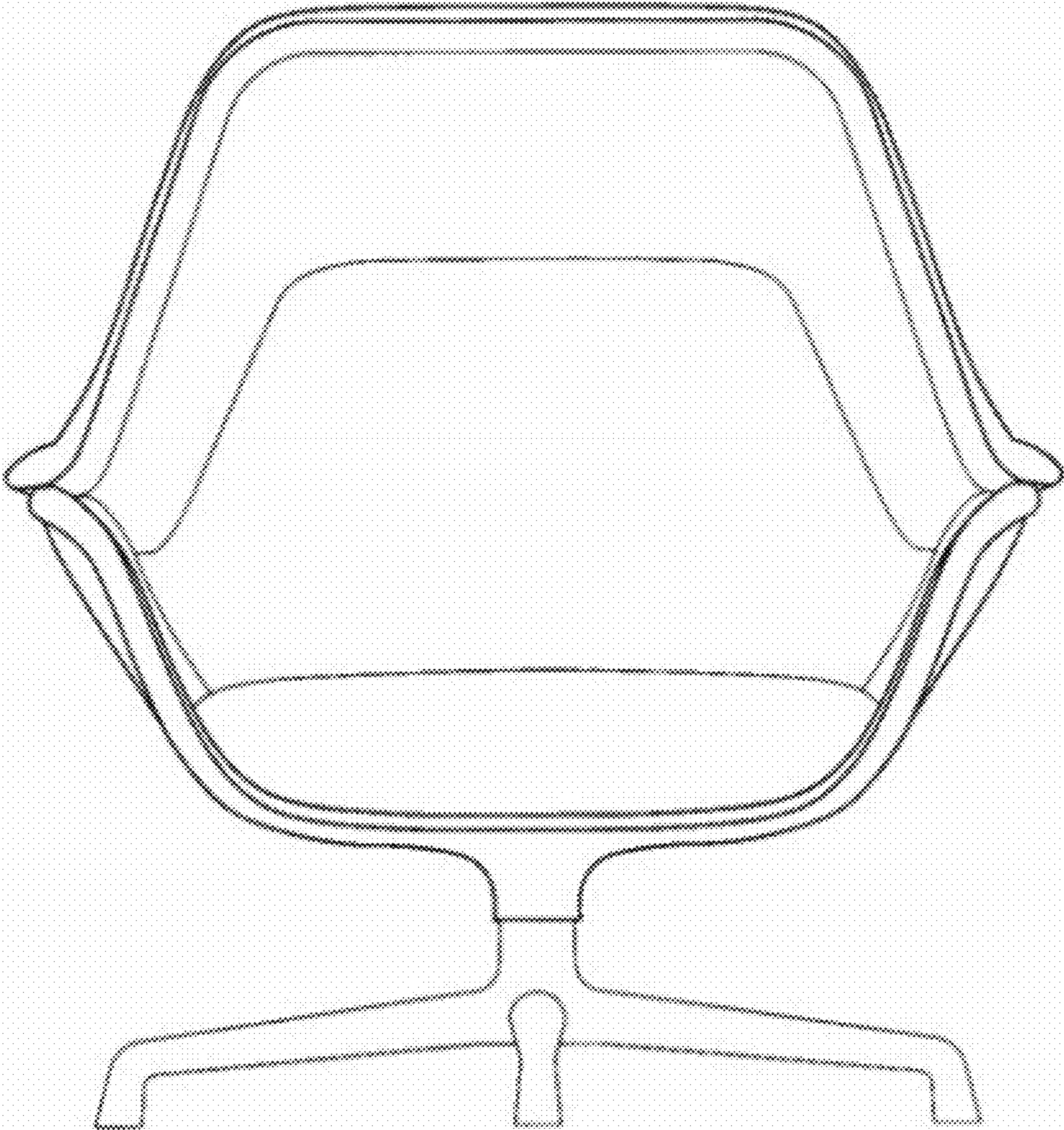


FIG. 4

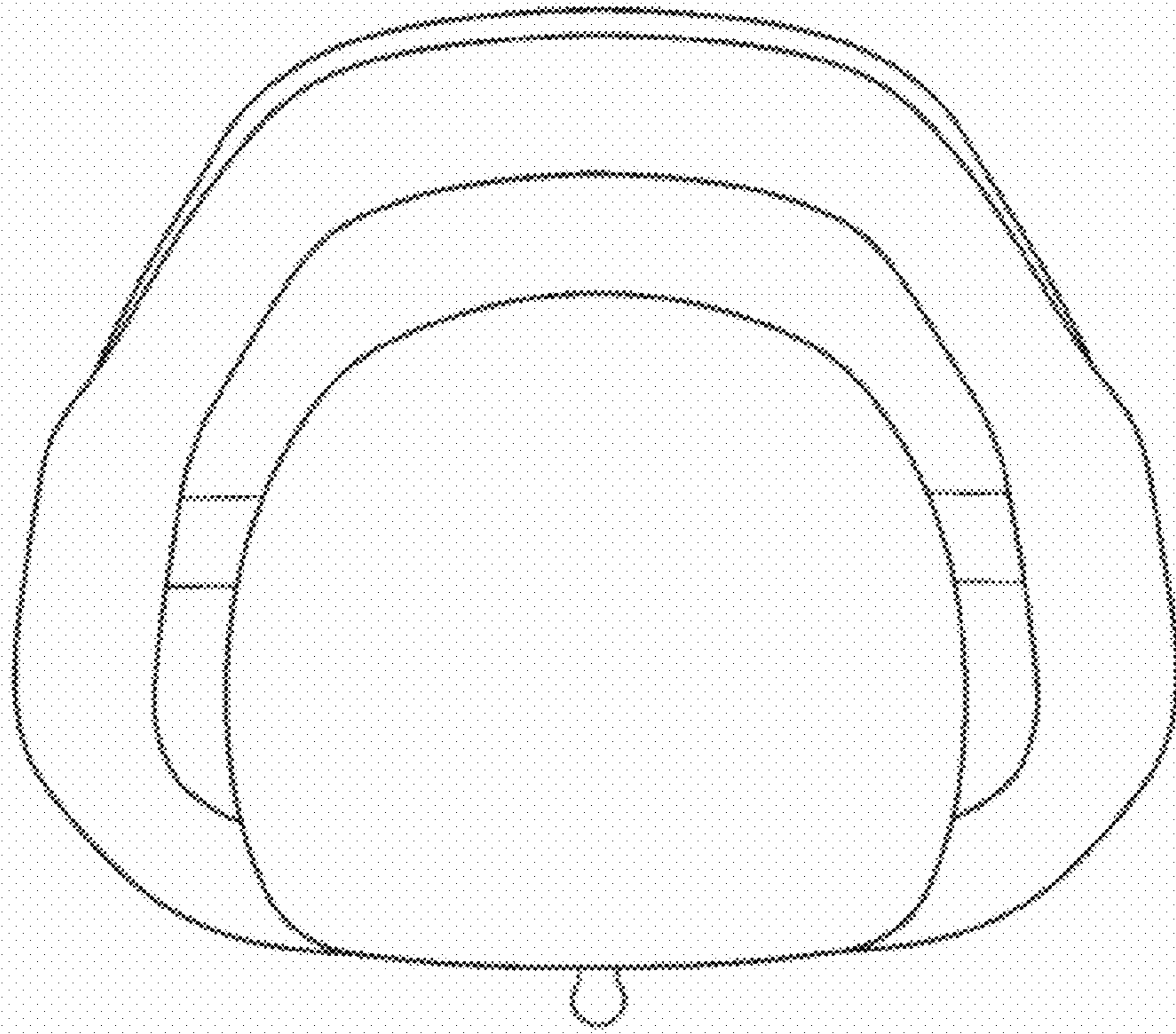


FIG. 5

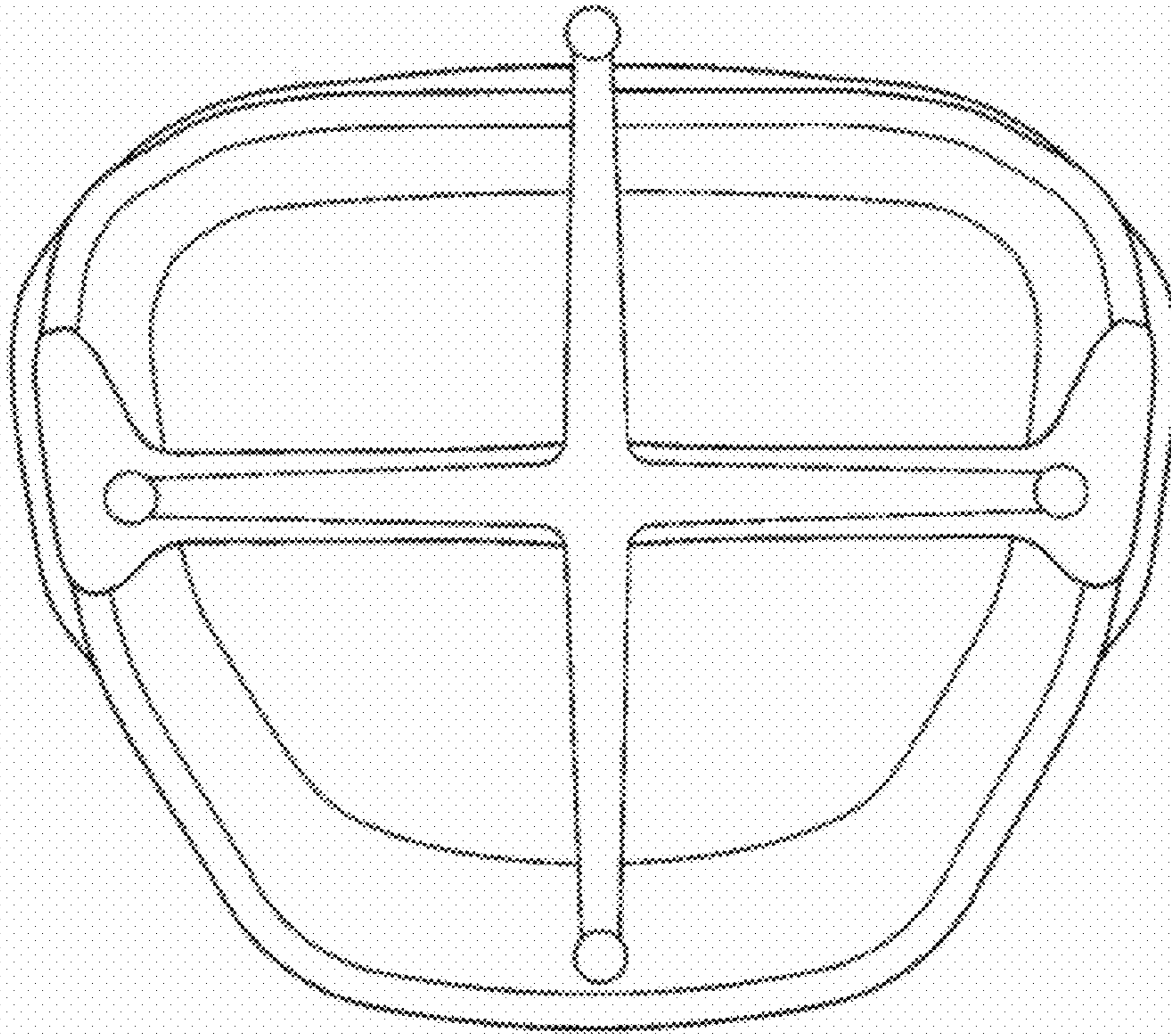


FIG. 6