



US00D657581S

(12) **United States Design Patent**
Lievore et al.

(10) **Patent No.:** **US D657,581 S**
(45) **Date of Patent:** **** Apr. 17, 2012**

(54) **SEATS**

(75) Inventors: **Alberto Lievore**, Barcelona (ES);
Jean-Marie Massaud, Paris (FR);
Simon Pengelly, London (GB)

(73) Assignee: **Arper S.p.A.**, Monastier di Treviso (IT)

(**) Term: **14 Years**

(21) Appl. No.: **29/392,309**

(22) Filed: **May 19, 2011**

Primary Examiner — Mimosa De

(74) *Attorney, Agent, or Firm* — Scully, Scott, Murphy & Presser, P.C.

(57) **CLAIM**

The ornamental design for “seats”, as shown and described.

DESCRIPTION

Related U.S. Application Data

(62) Division of application No. 29/267,565, filed on Oct. 17, 2006, now Pat. No. Des. 638,231.

(30) **Foreign Application Priority Data**

Apr. 21, 2006 (EM) 517206

(51) **LOC (9) Cl.** **06-01**

(52) **U.S. Cl.** **D6/366**

(58) **Field of Classification Search** D6/334–336,
D6/360, 364, 365, 366, 371–373, 374, 375,
D6/376, 379, 380, 498, 500–502; 297/411.27,
297/452.12, 452.14, 452.19, 452.26, 452.29,
297/452.32, 452.35, 452.48

See application file for complete search history.

(56) **References Cited**

U.S. PATENT DOCUMENTS

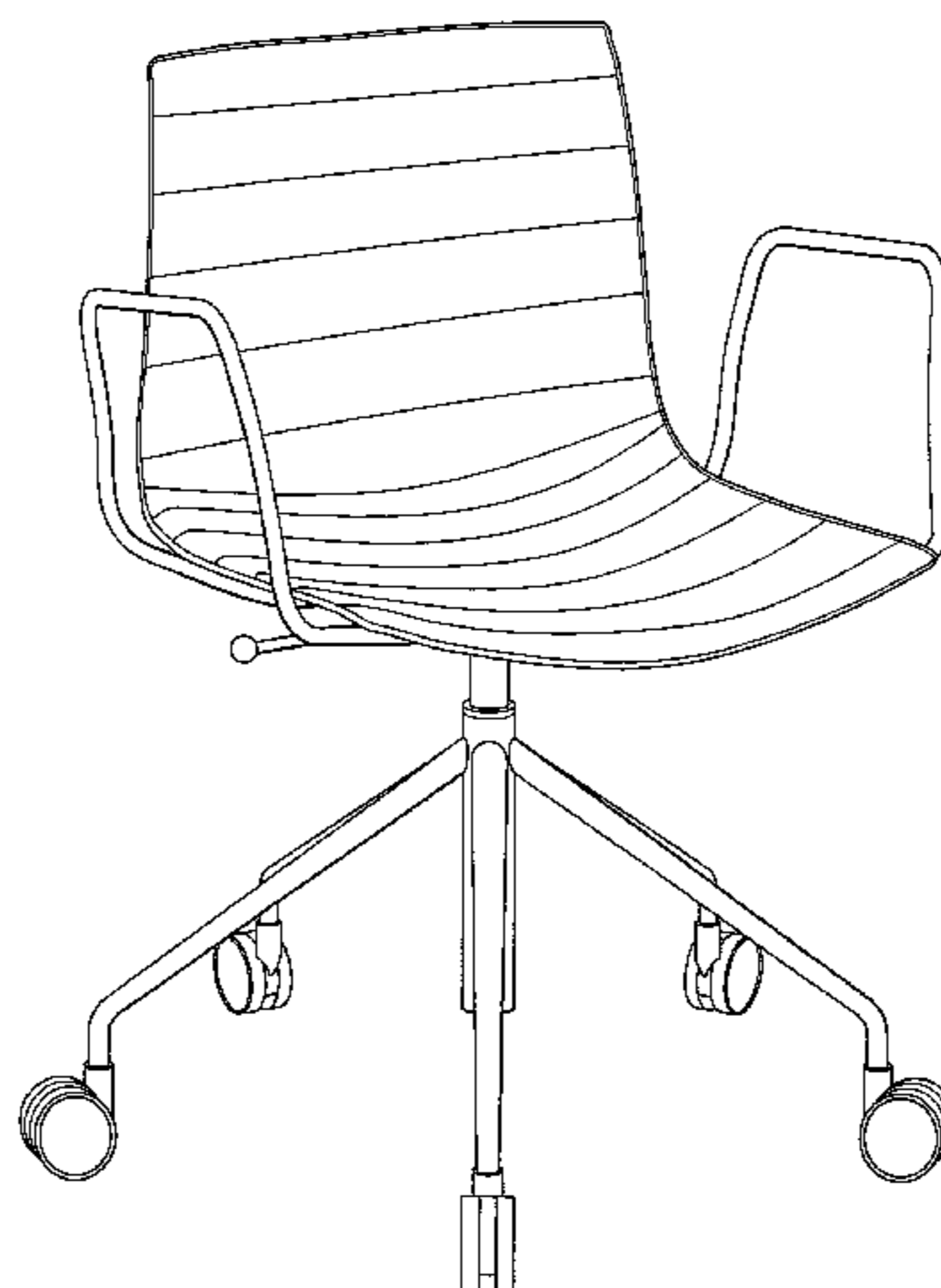
D236,303	S	*	8/1975	Prizlow	D6/366
D241,288	S	*	9/1976	Tacke	D6/366
D253,206	S	*	10/1979	Buhk	D6/366
D270,310	S	*	8/1983	Ochsner	D6/366
D336,722	S	*	6/1993	Fahnstrom et al.	D6/366
D348,570	S	*	7/1994	Scheper et al.	D6/366
D353,268	S	*	12/1994	Ambasz	D6/366
D550,466	S	*	9/2007	Molina et al.	D6/366
D565,317	S	*	4/2008	Molina et al.	D6/375
D586,135	S	*	2/2009	Lievore	D6/366
D611,276	S	*	3/2010	Kubryk	D6/500
D622,985	S	*	9/2010	Kubryk	D6/500
D638,231	S	*	5/2011	Lievore et al.	D6/375

* cited by examiner

FIG. 1 is a perspective view of the seat, showing our new and ornamental design;
 FIG. 2 is a front view thereof;
 FIG. 3 is a rear view thereof;
 FIG. 4 is a plan view from above thereof;
 FIG. 5 is a left side view thereof;
 FIG. 6 is a left side view thereof;
 FIG. 7 is a perspective view of a second embodiment, according to the invention;
 FIG. 8 is a front view thereof;
 FIG. 9 is a rear view thereof;
 FIG. 10 is a plan view from above thereof;
 FIG. 11 is a left side view thereof;
 FIG. 12 is a right side view thereof;
 FIG. 13 is a perspective view of a third embodiment, according to the invention;
 FIG. 14 is a front view thereof;
 FIG. 15 is a rear view thereof;
 FIG. 16 is a plan view from above thereof;
 FIG. 17 is a left side view thereof;
 FIG. 18 is a right side view thereof;
 FIG. 19 is a perspective view of a fourth embodiment, according to the invention;
 FIG. 20 is a front view thereof;
 FIG. 21 is a rear view thereof;
 FIG. 22 is a plan view from above thereof;
 FIG. 23 is a left side view thereof; and,
 FIG. 24 is a right side view thereof.

The broken lines shown in the drawing are for illustrative purposes only and form no part of the claimed design.

1 Claim, 24 Drawing Sheets



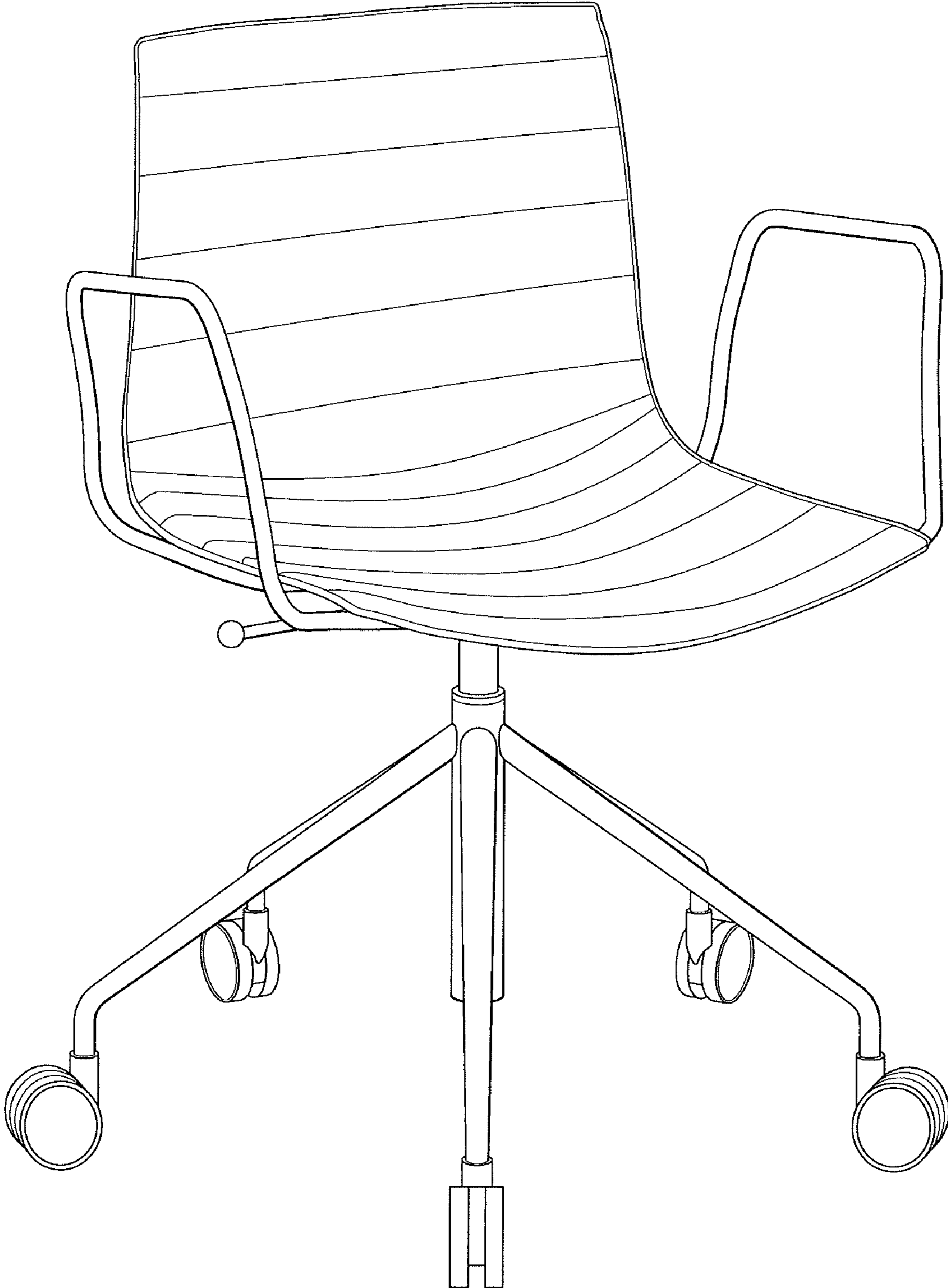


Fig. 1

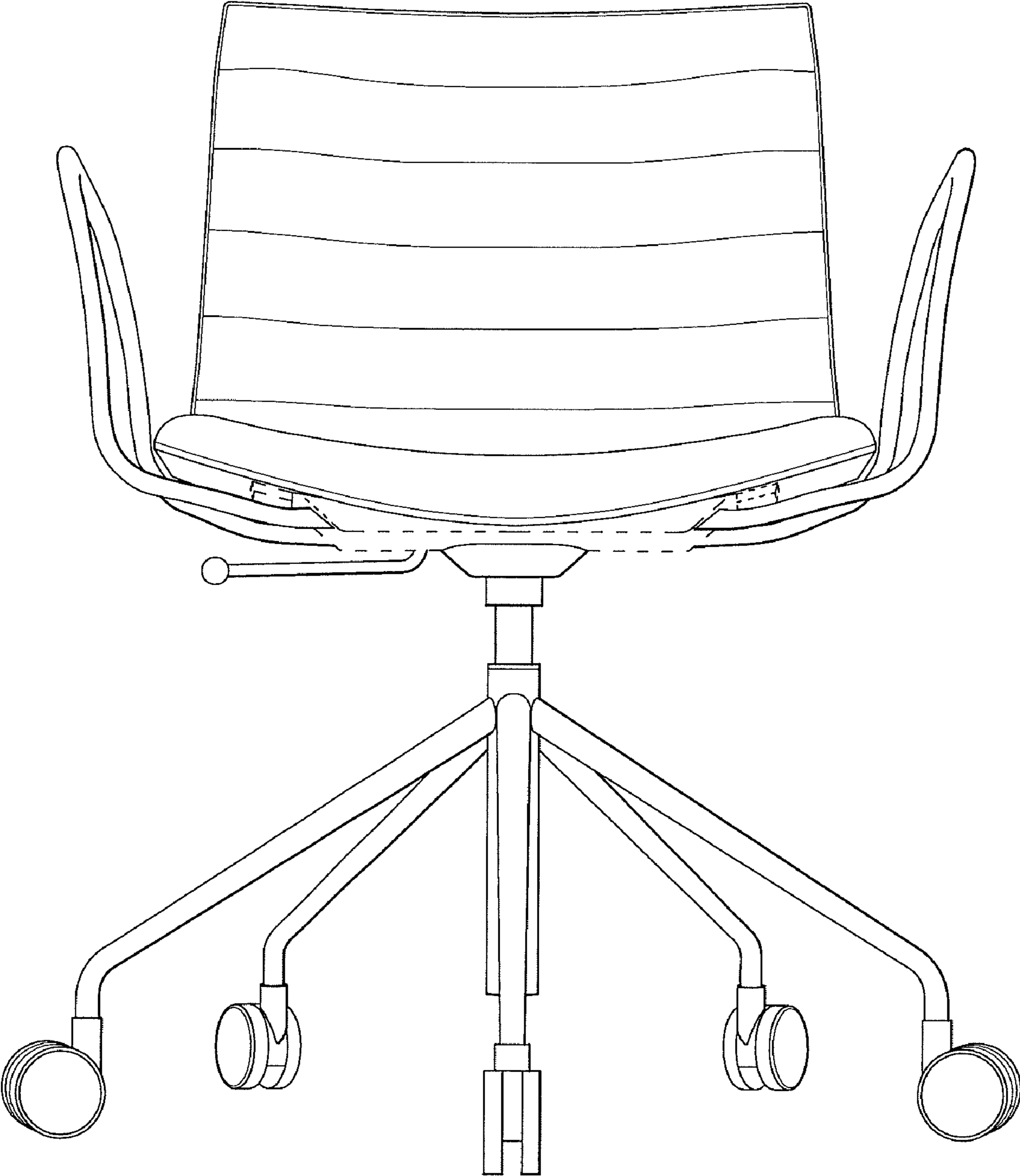


Fig. 2

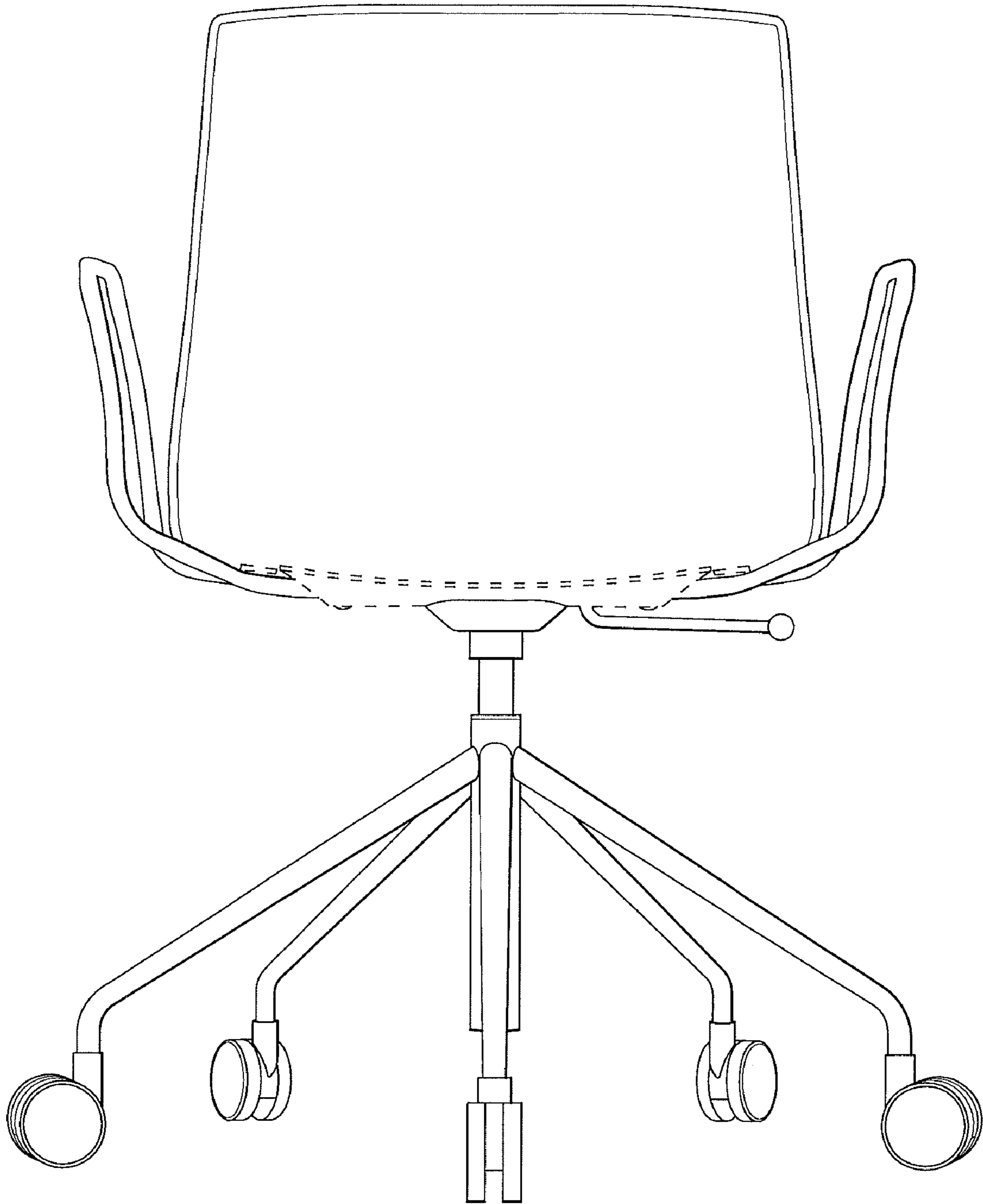


Fig. 3

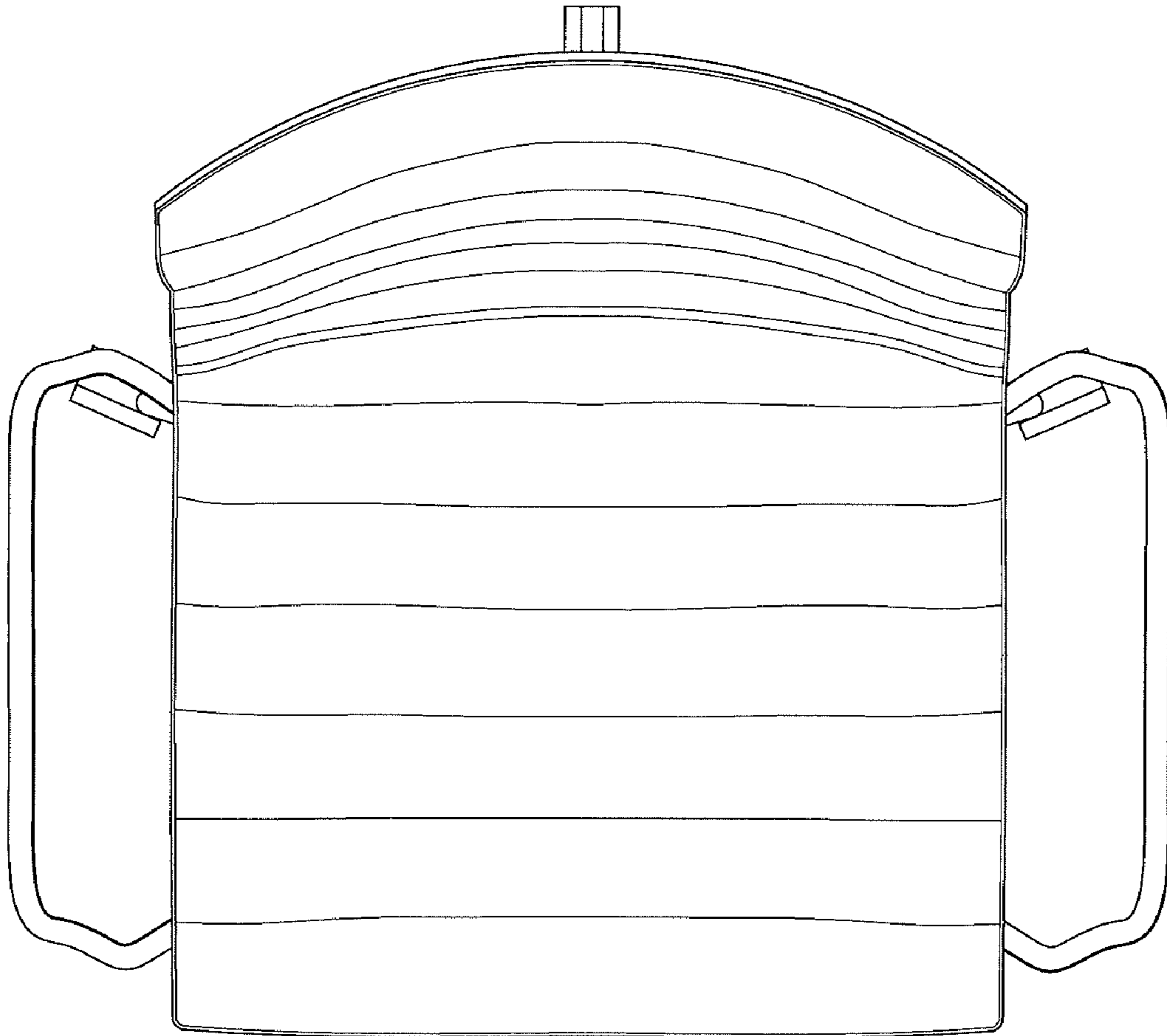


Fig. 4

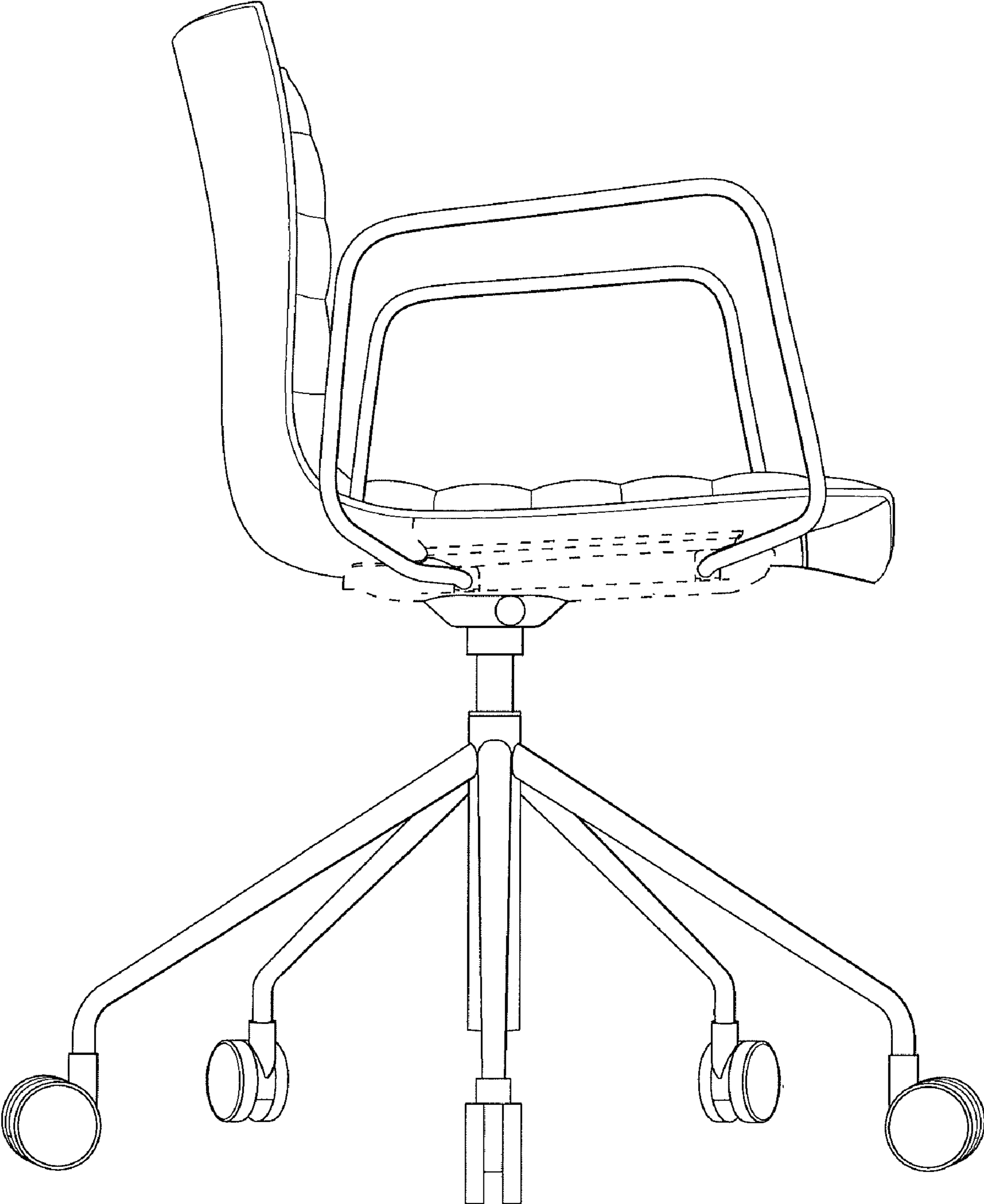


Fig. 5

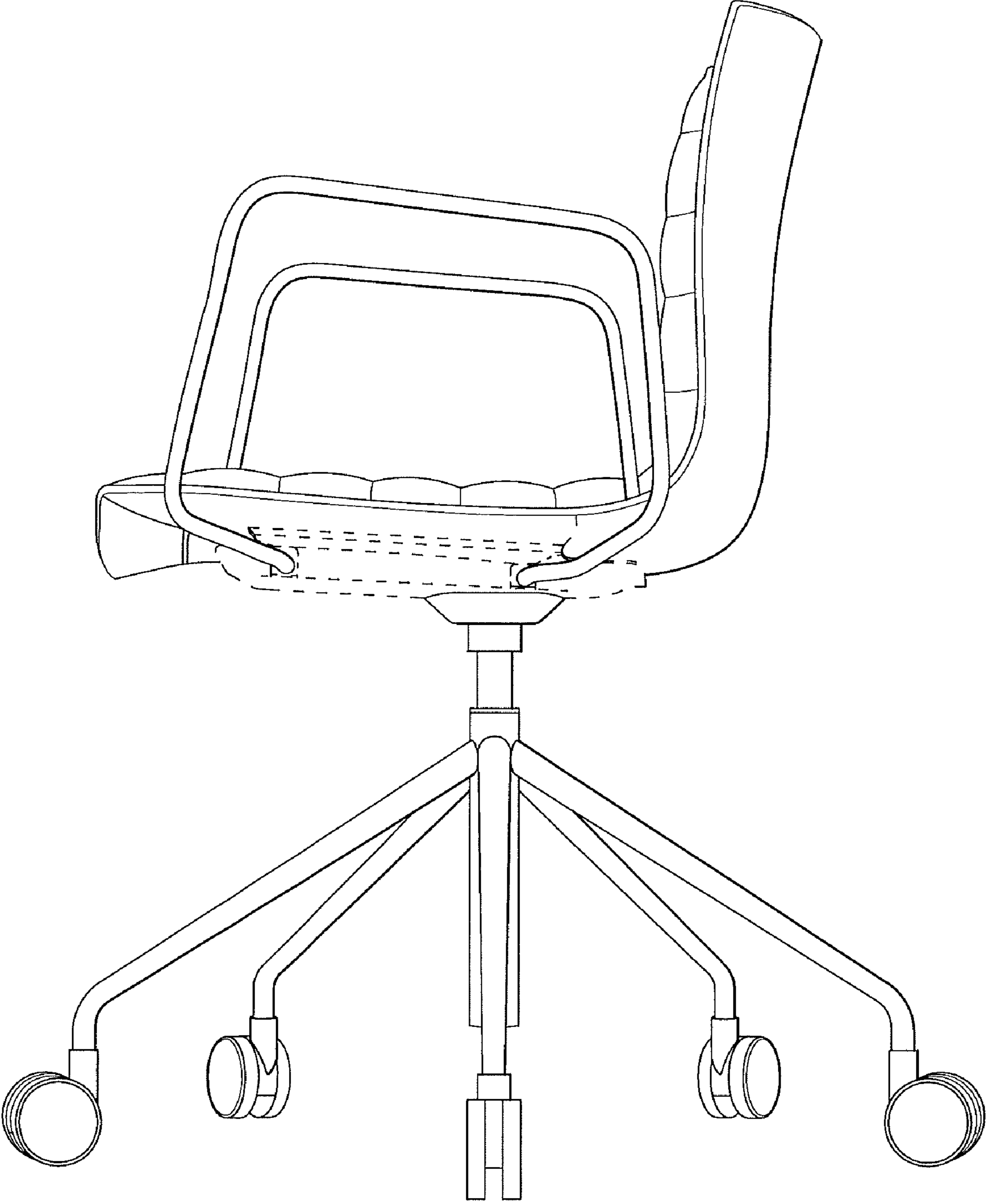


Fig. 6

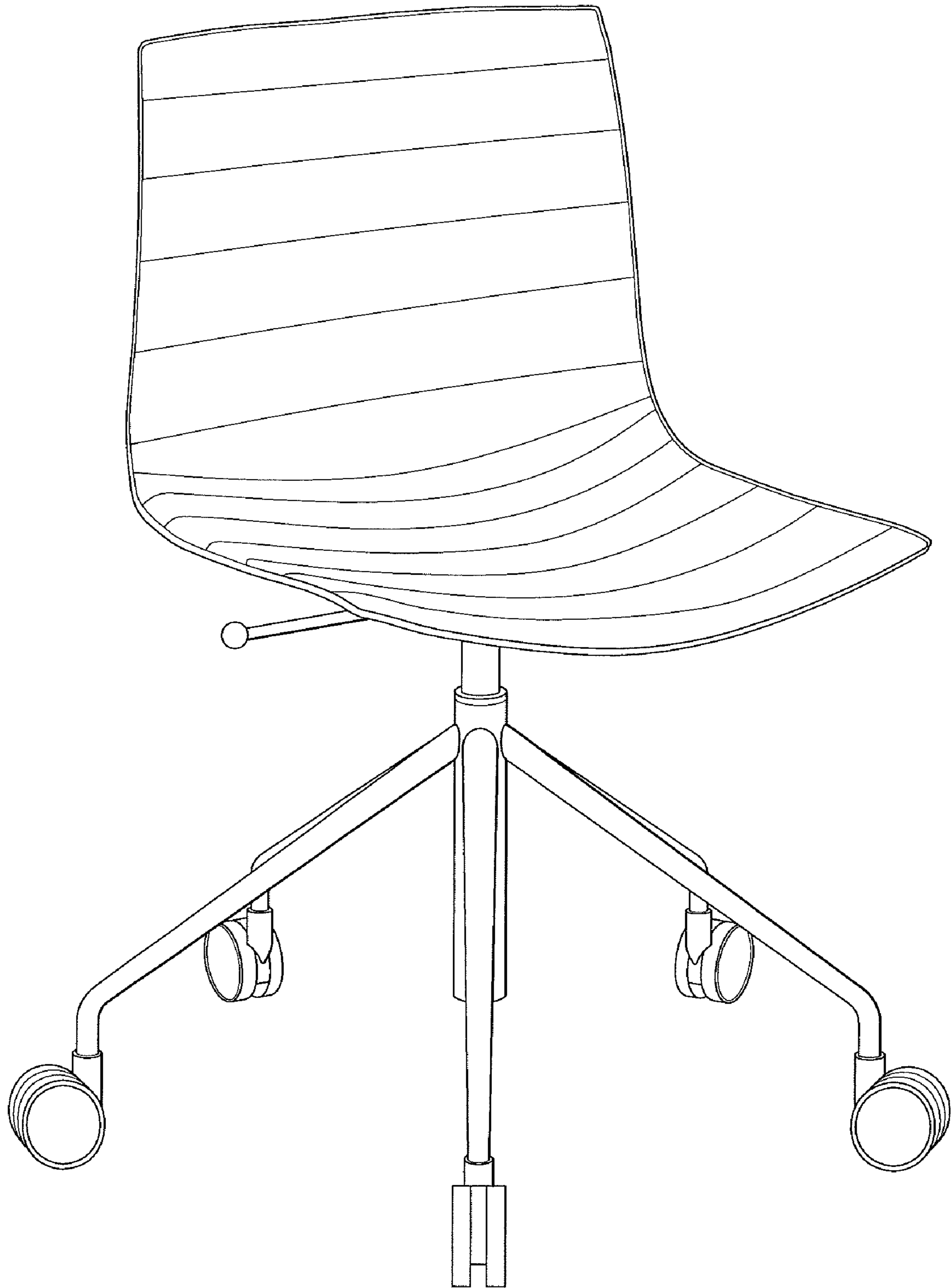


Fig. 7

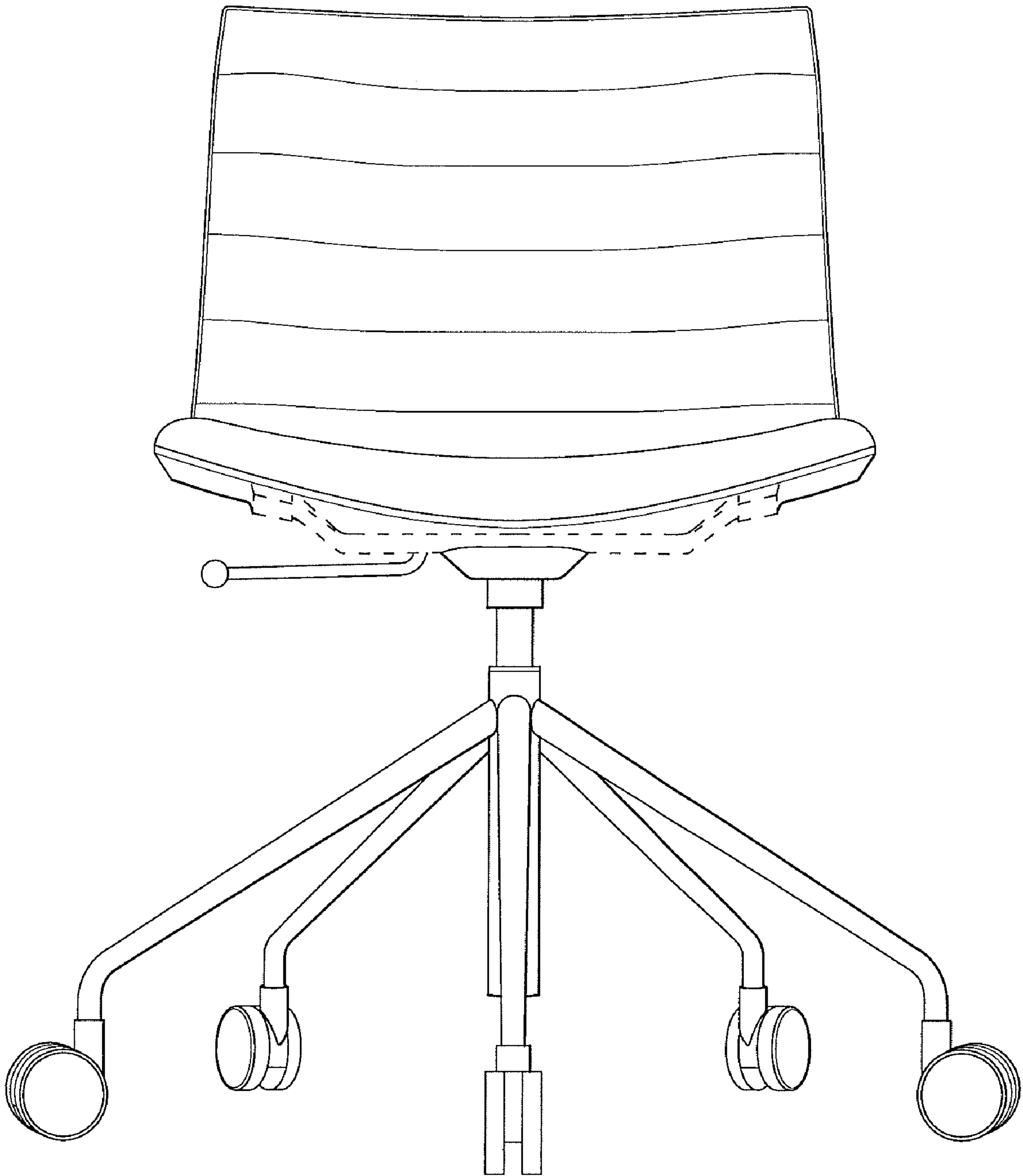


Fig. 8

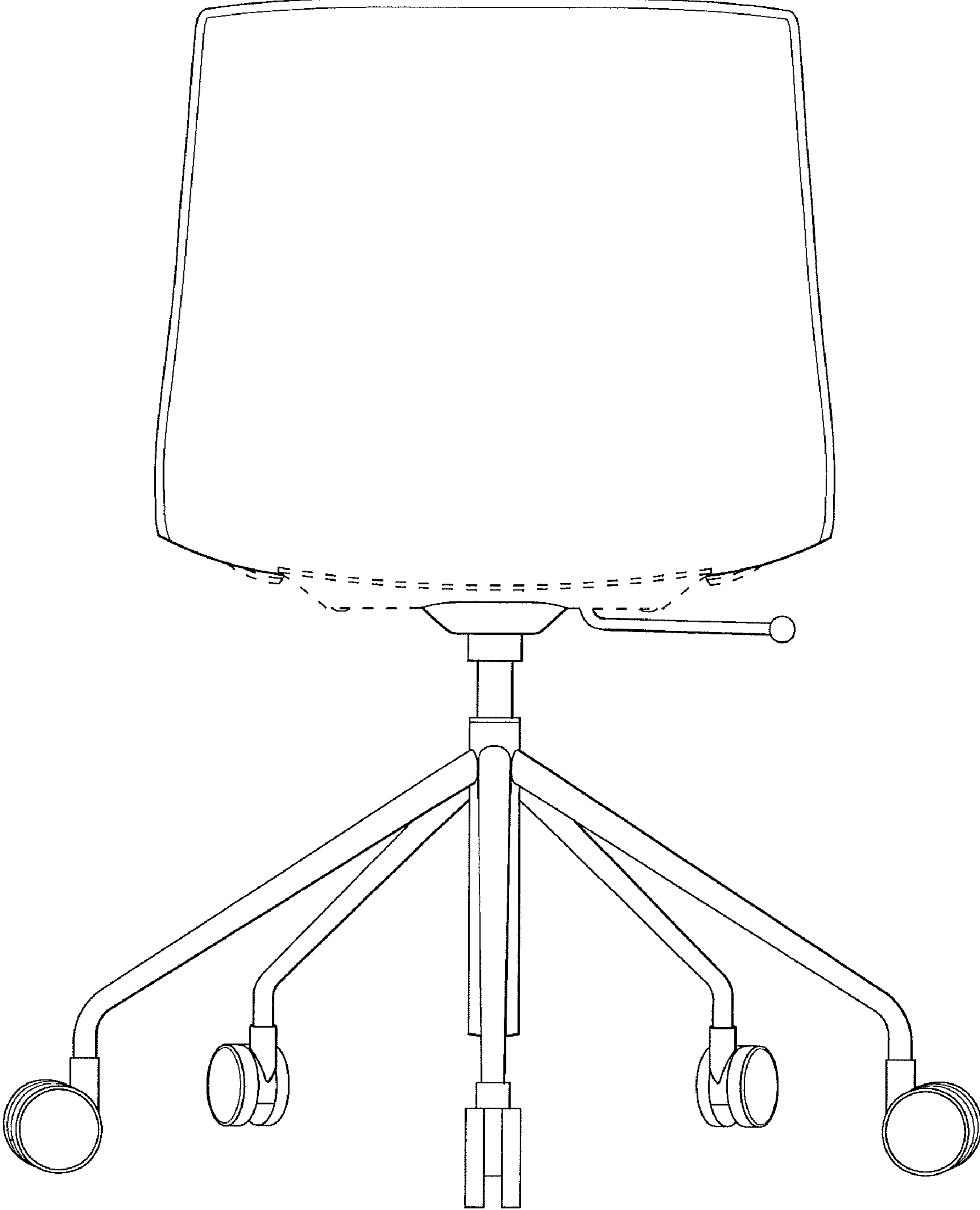


Fig. 9

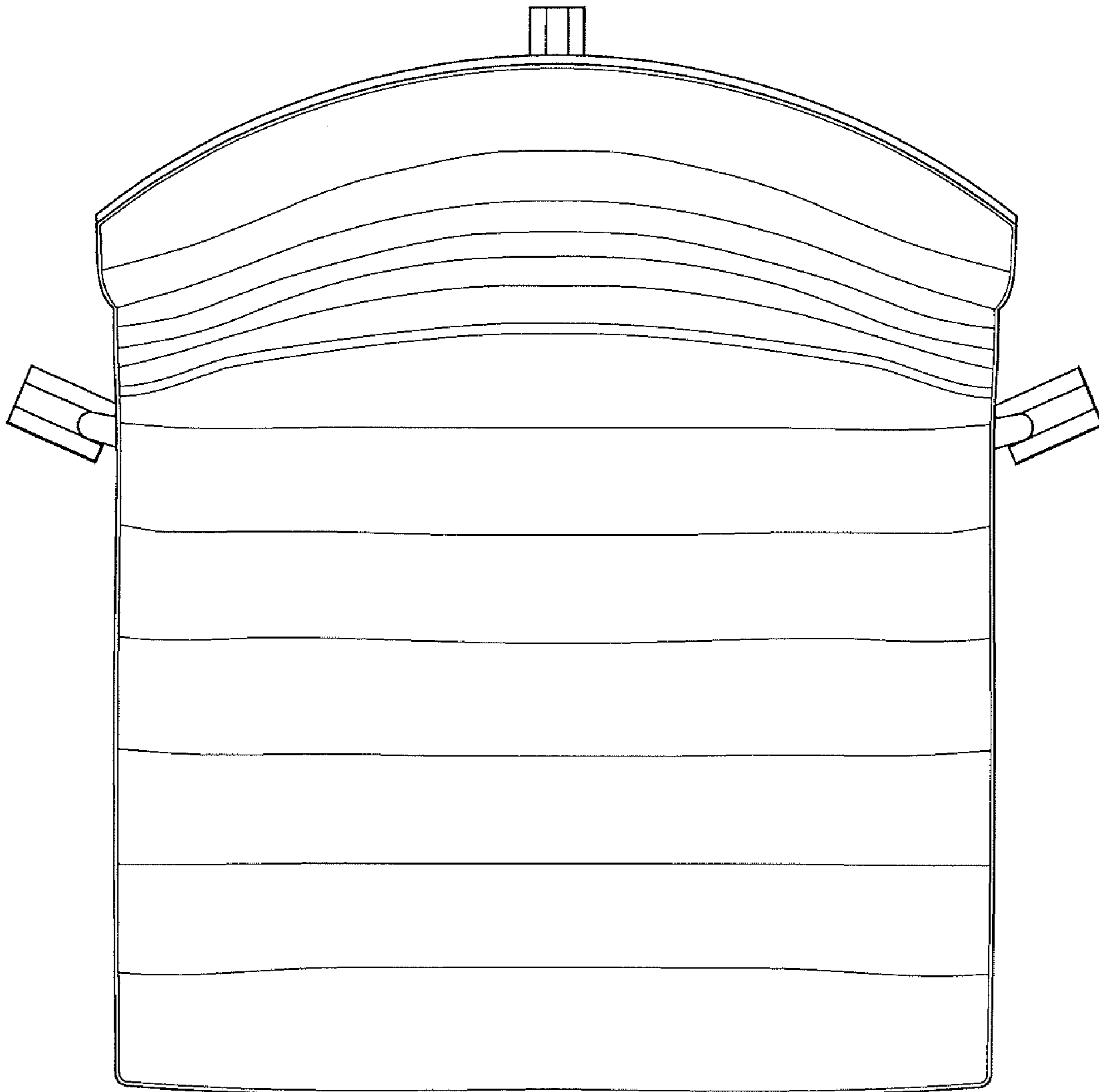


Fig. 10

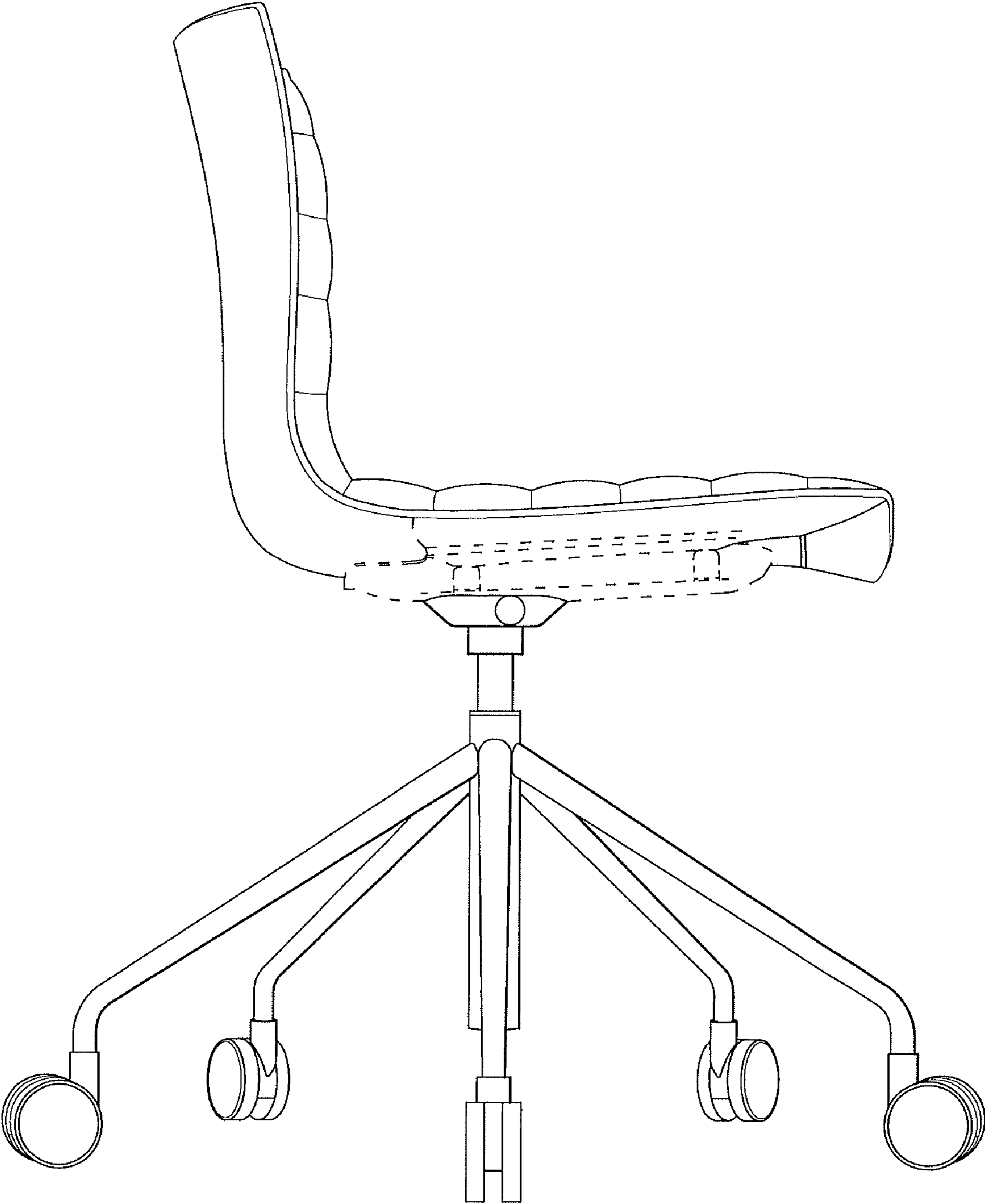


Fig. 11

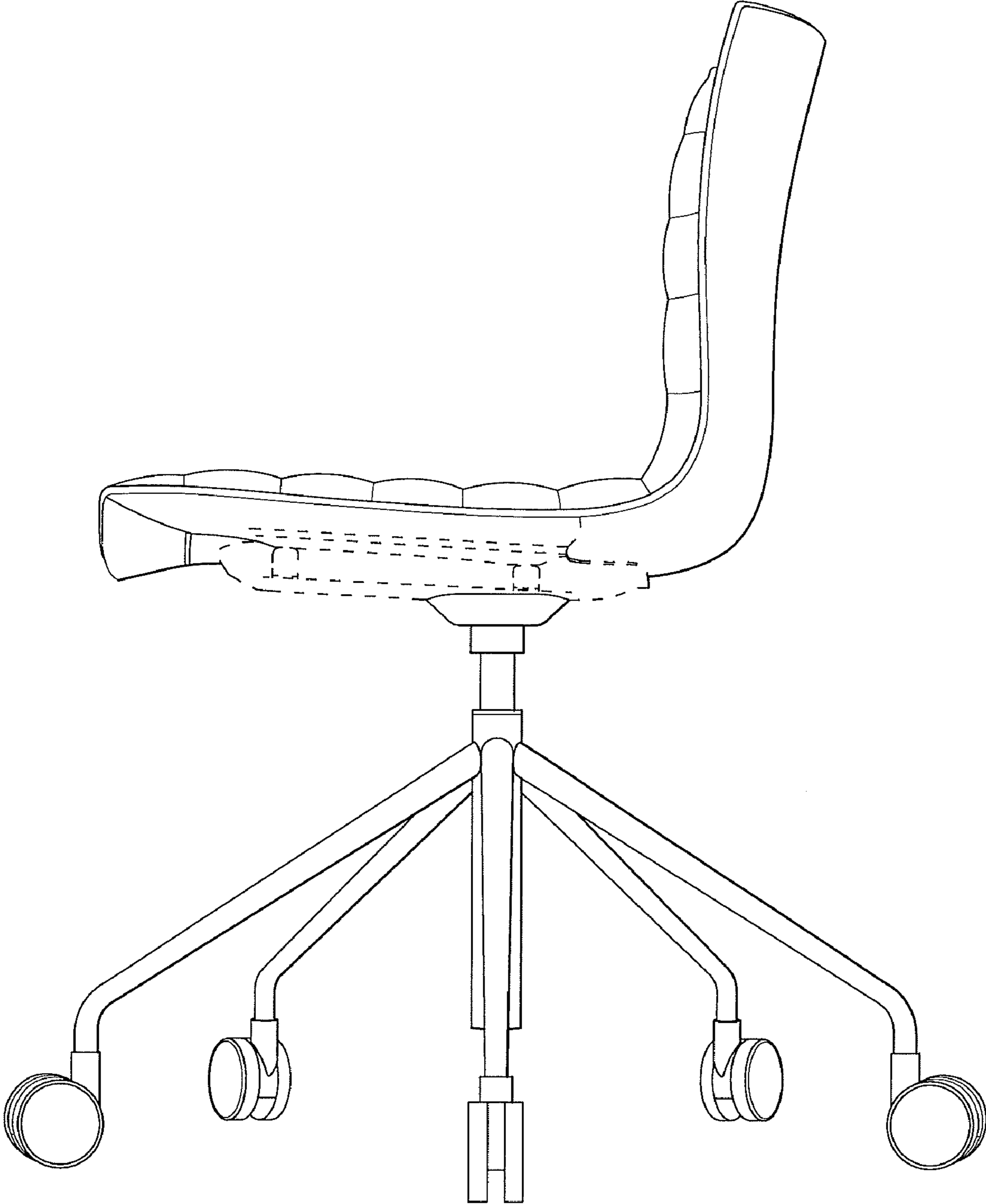


Fig. 12



Fig. 13

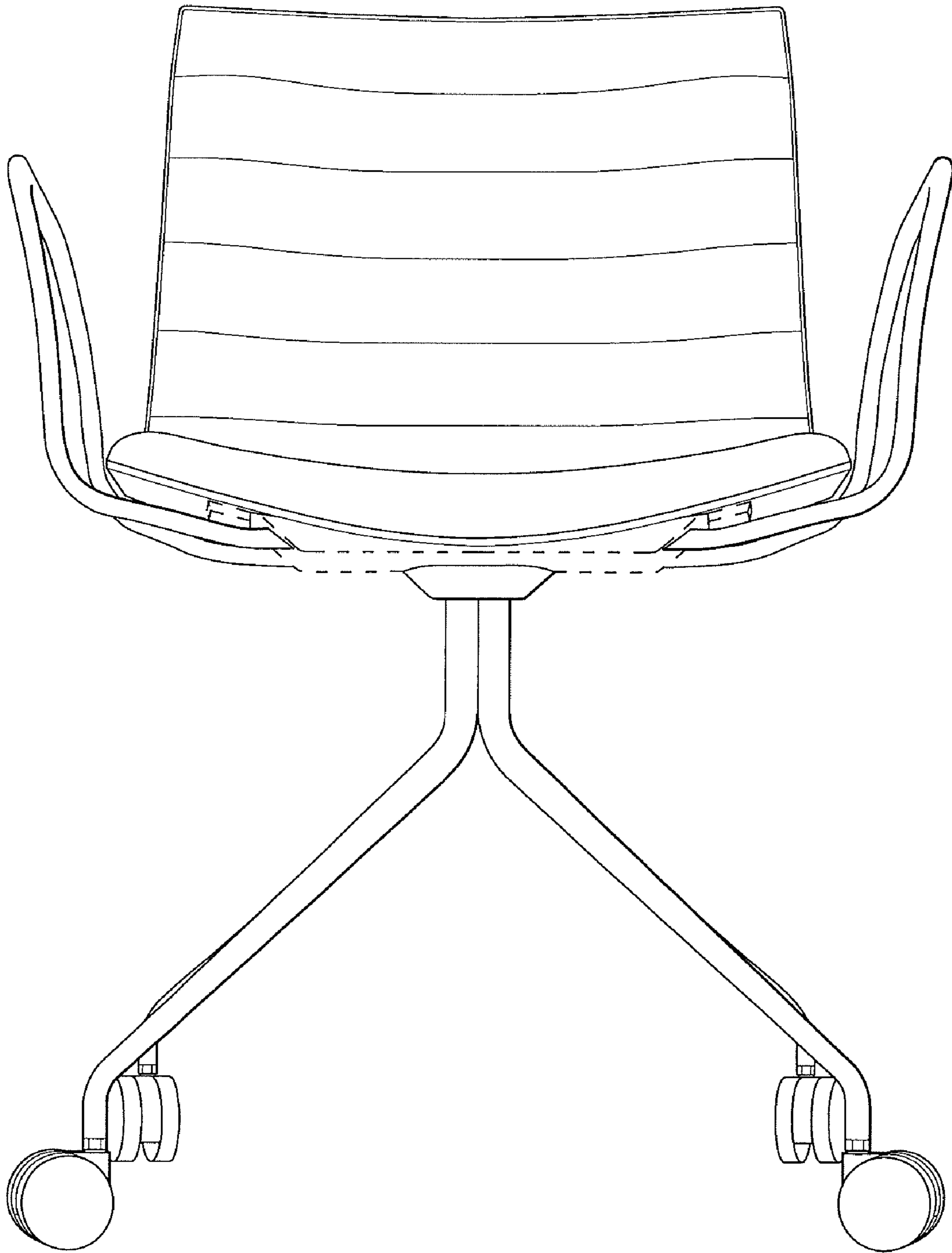


Fig. 14

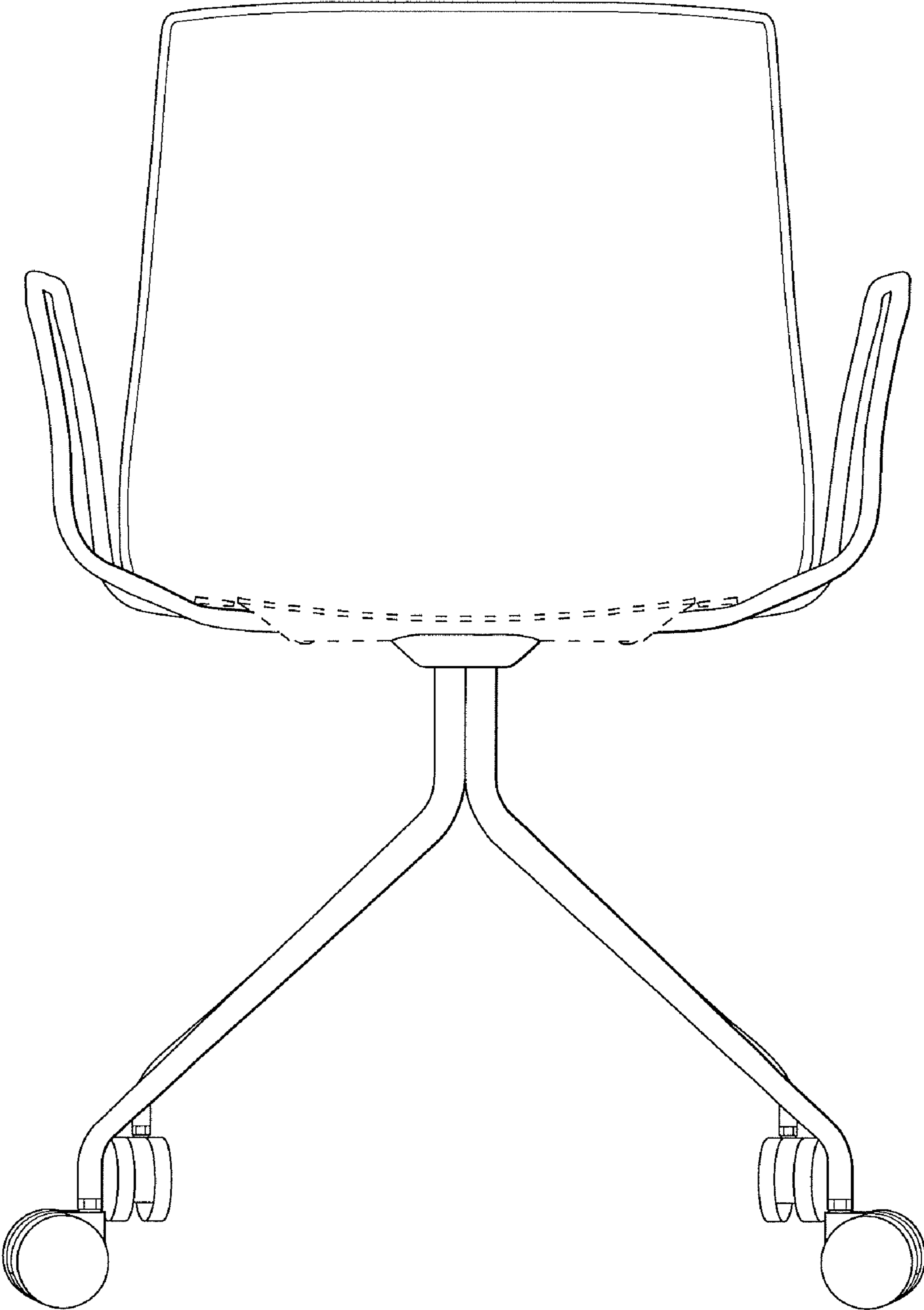


Fig. 15

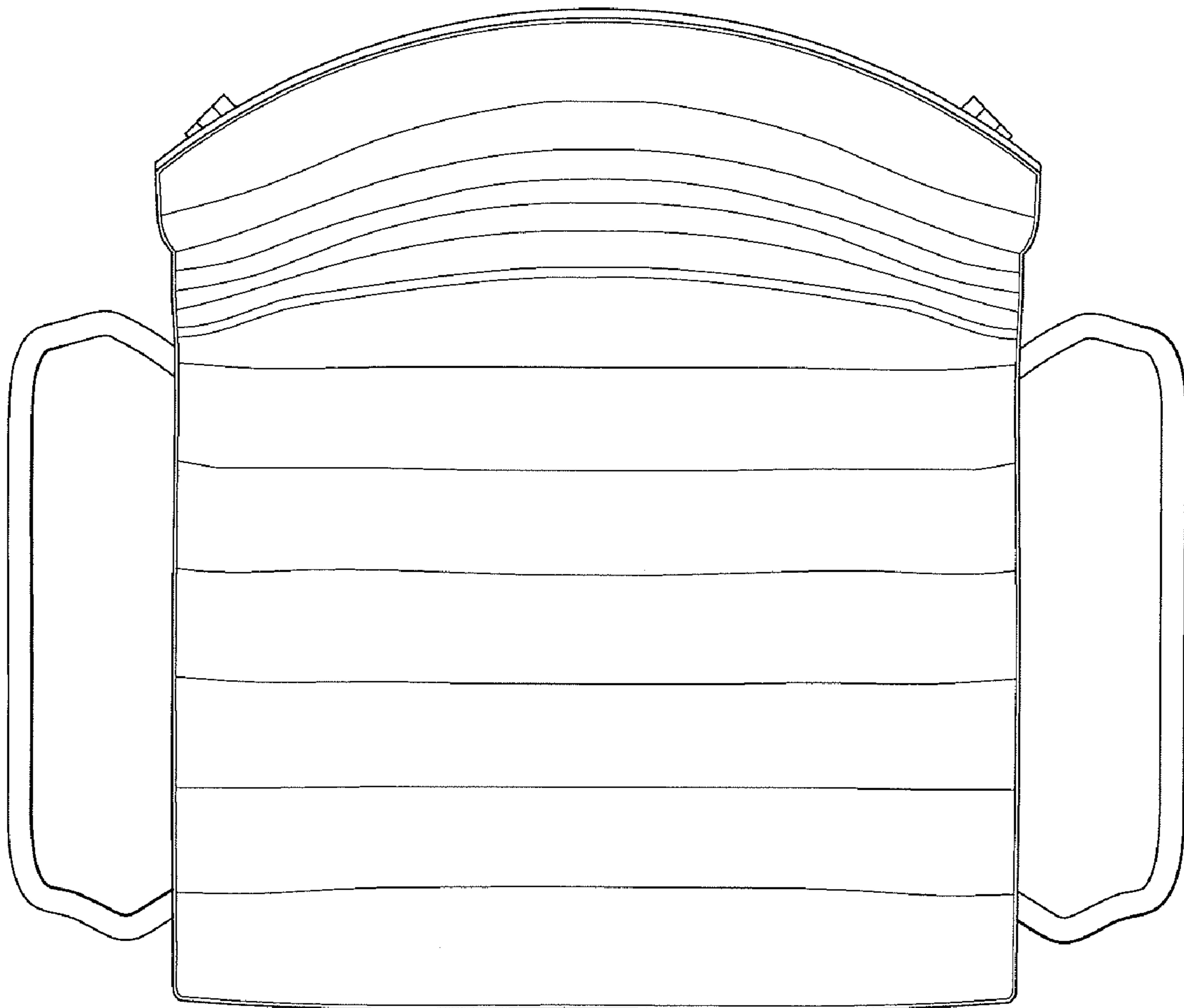


Fig. 16

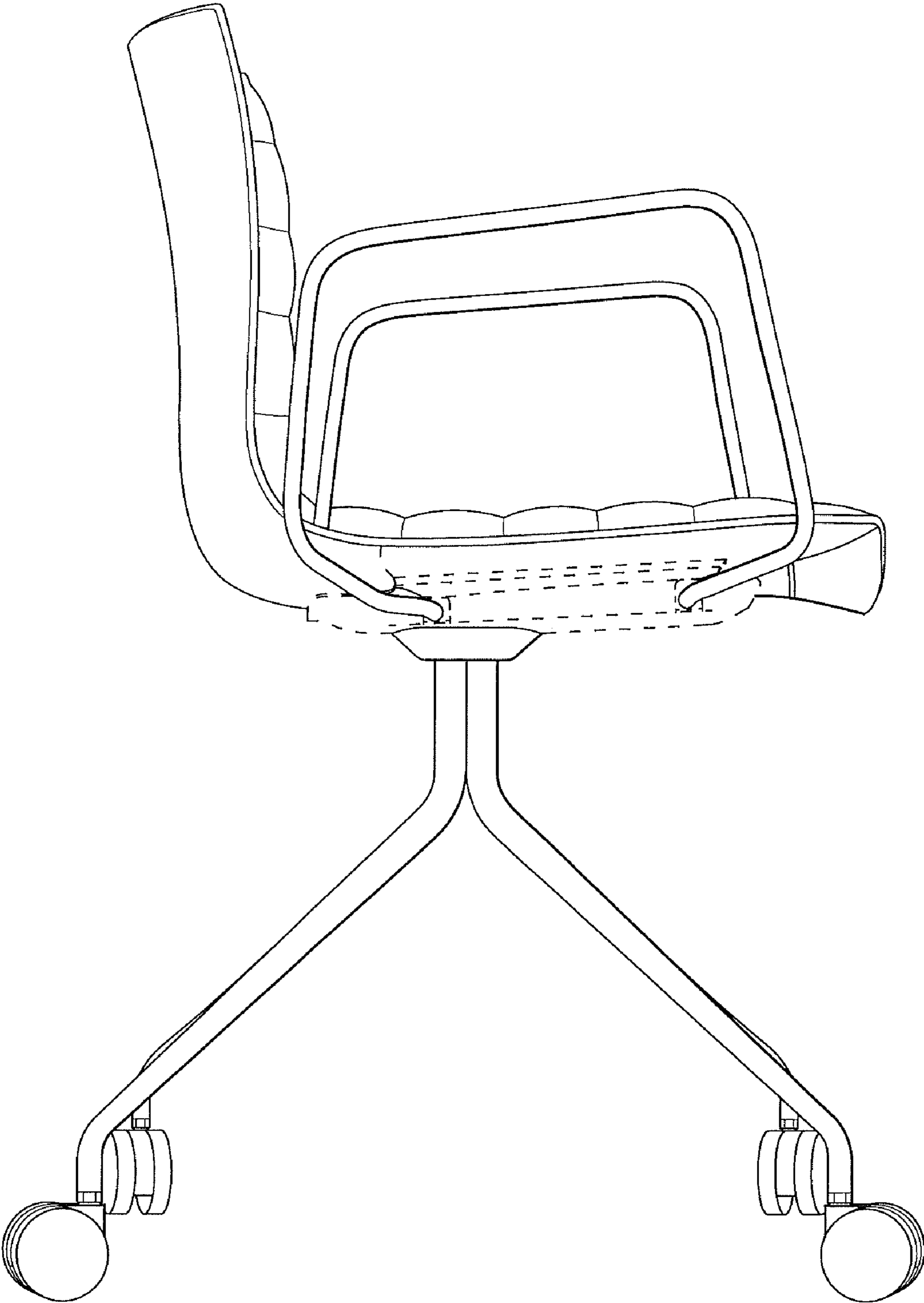


Fig. 17

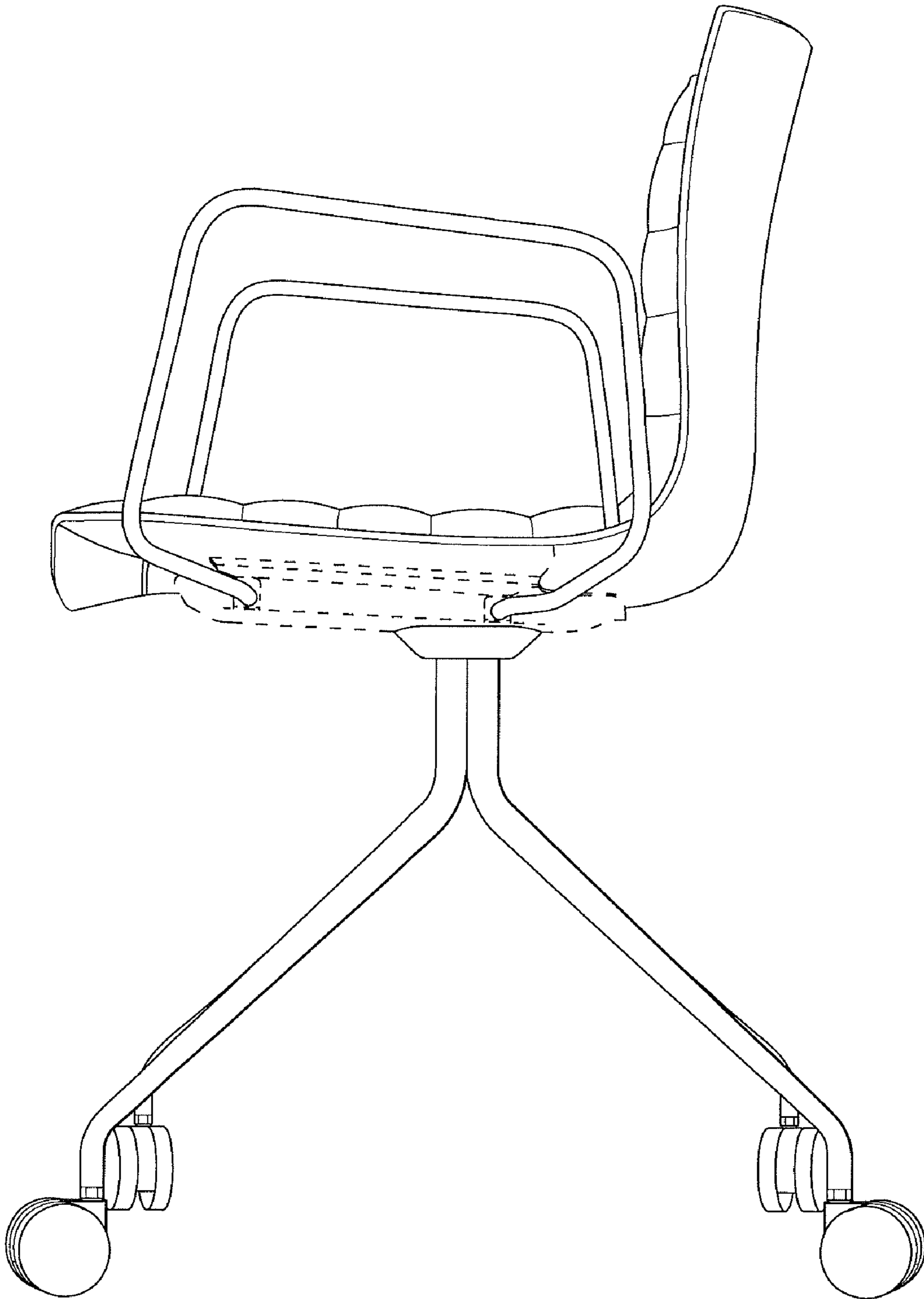


Fig. 18



Fig. 19

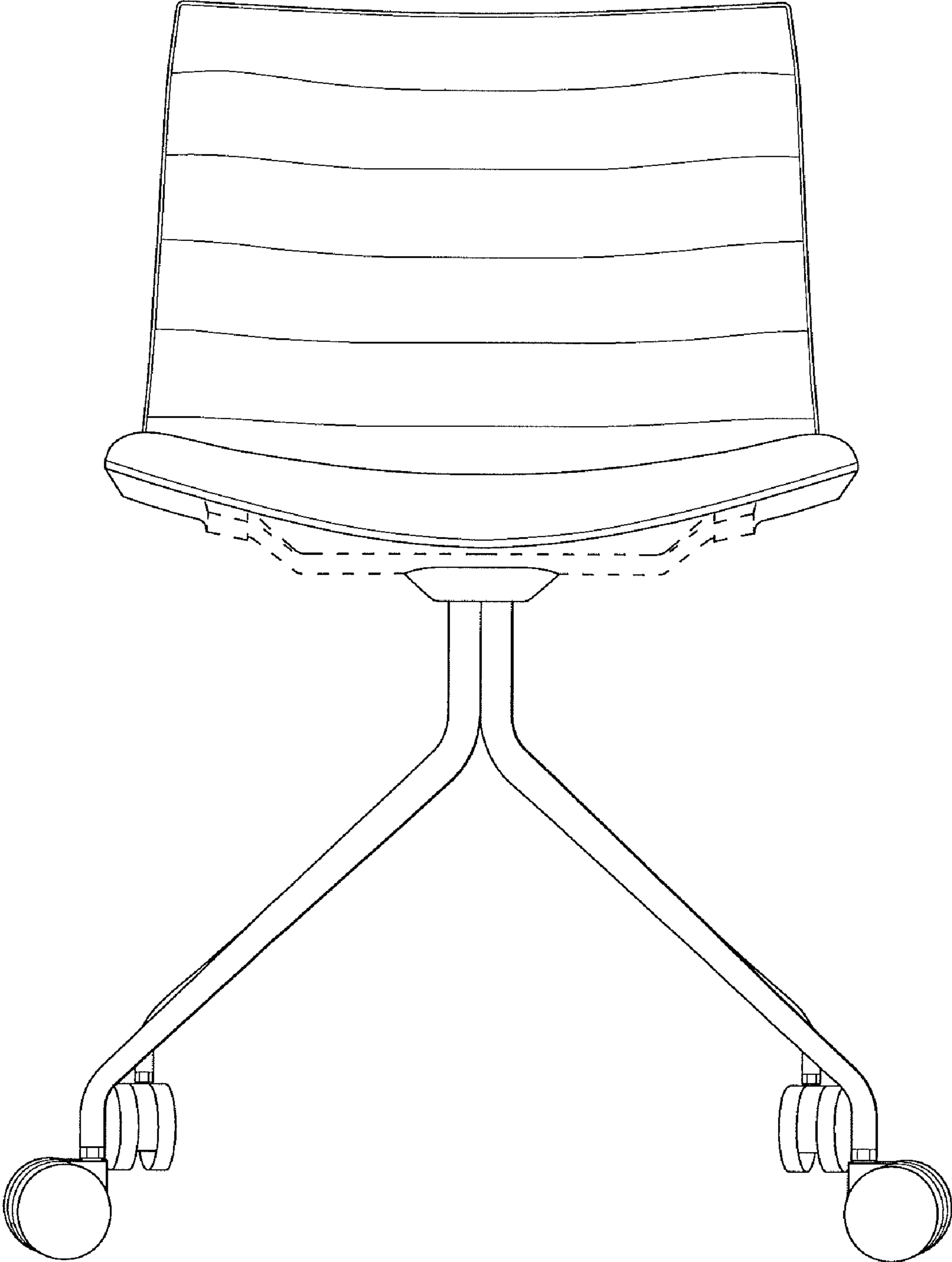


Fig. 20

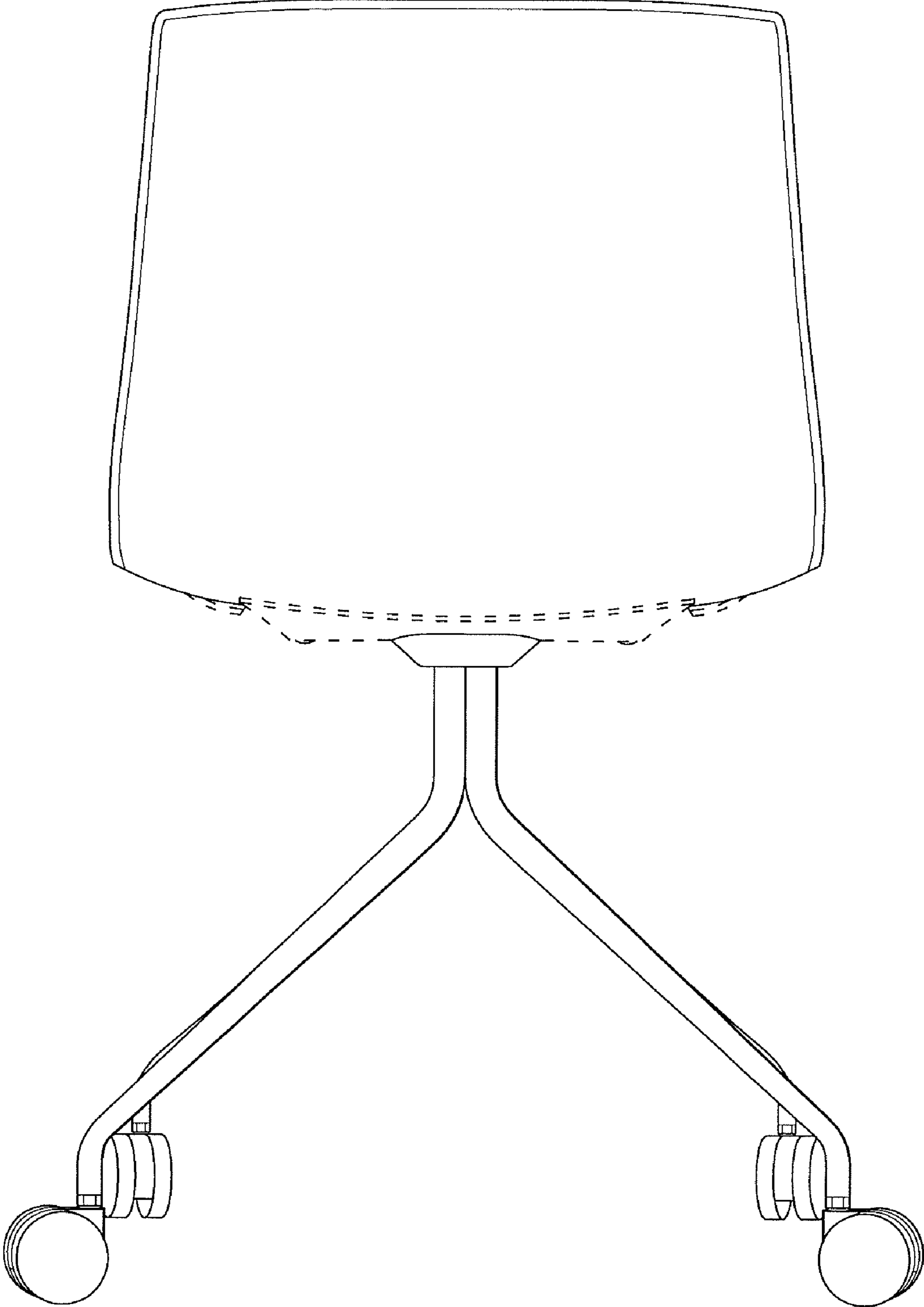


Fig. 21

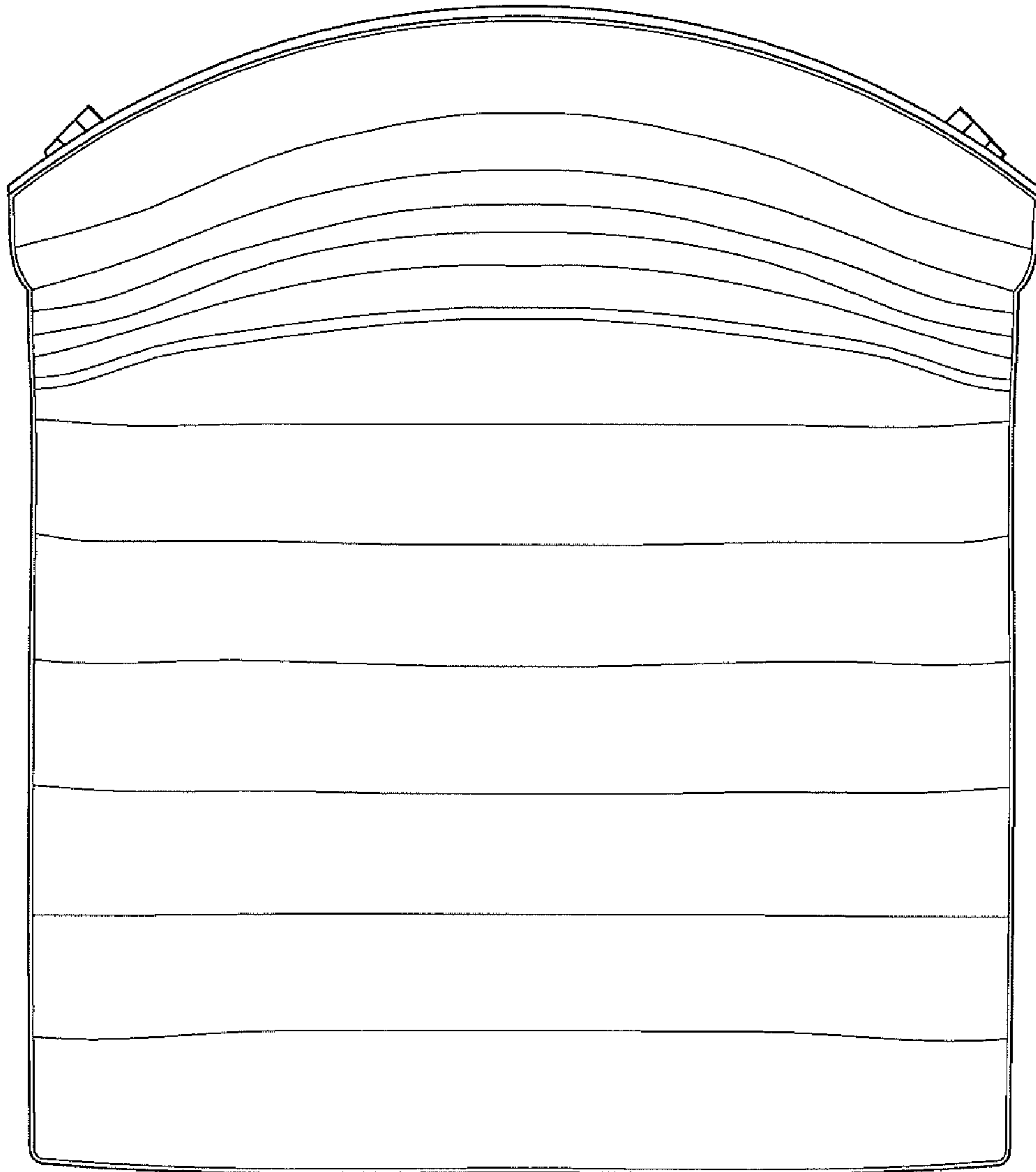


Fig. 22

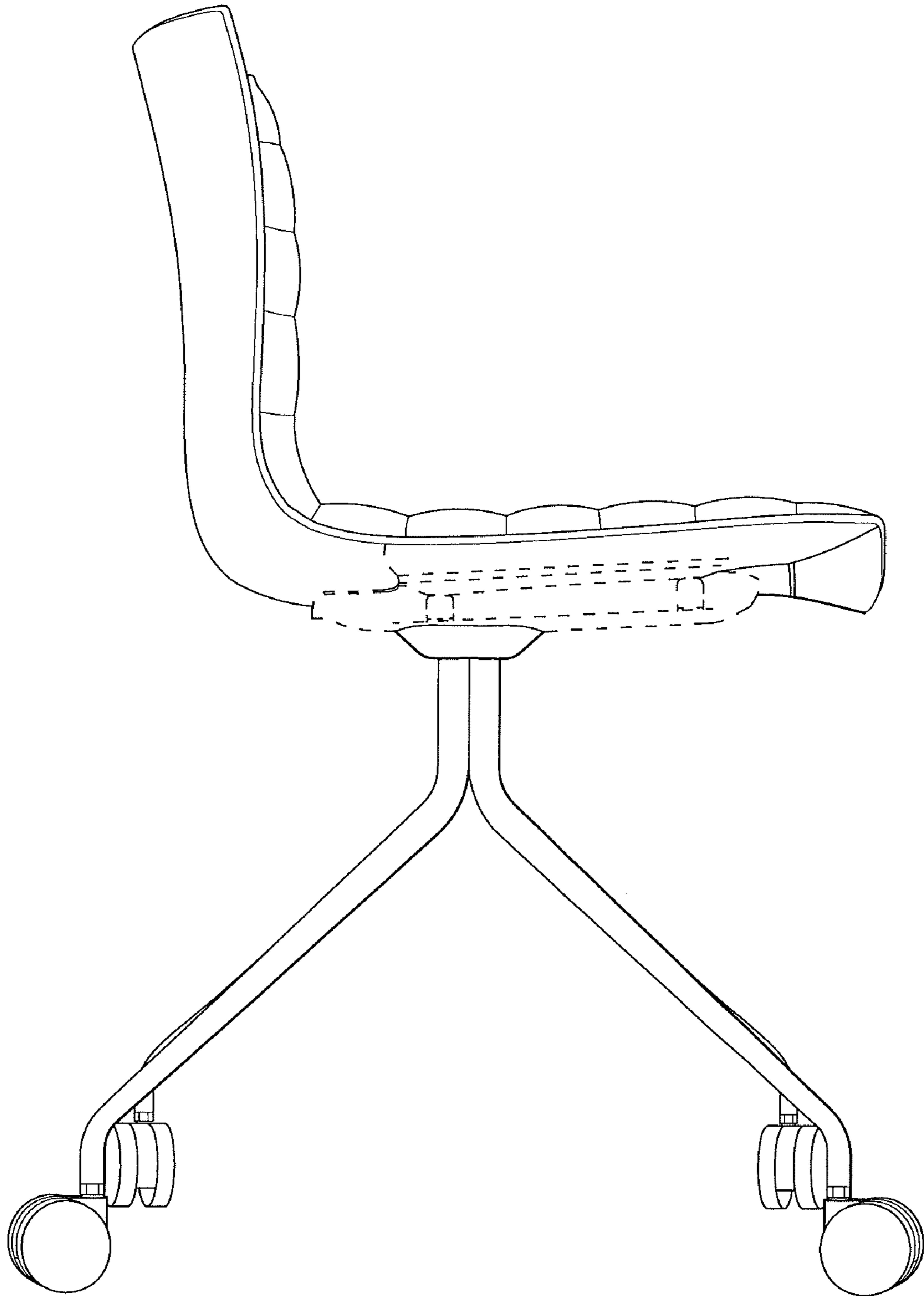


Fig. 23

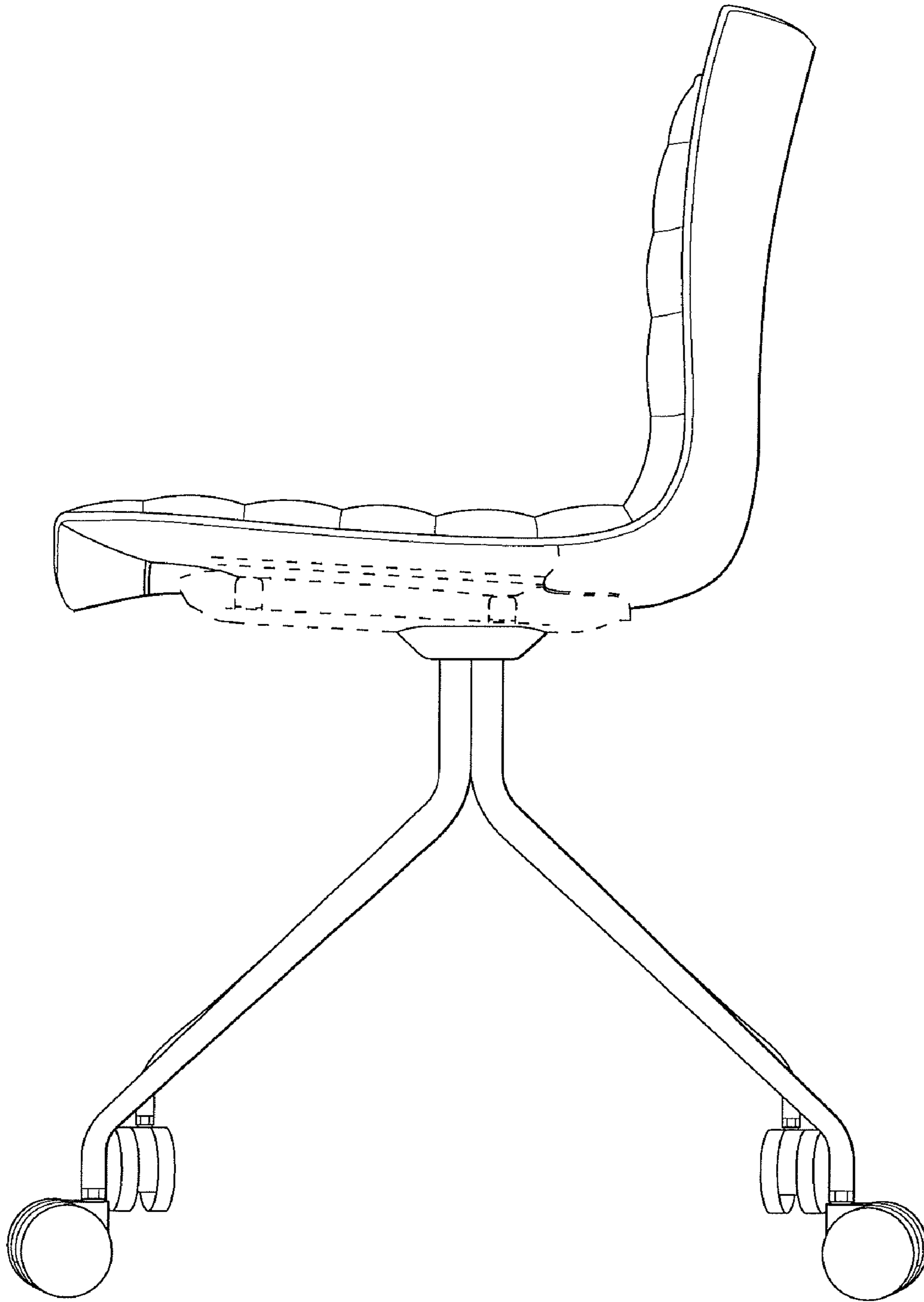


Fig. 24