



US00D657580S

(12) **United States Design Patent**
Zhou

(10) **Patent No.:** **US D657,580 S**

(45) **Date of Patent:** **** Apr. 17, 2012**

(54) **CHAIR**

(75) Inventor: **Jinkun Zhou**, Zhejiang (CN)

(73) Assignee: **Global Furniture (Zhejiang) Co., Ltd.**,
Dipu Town, Anji County, Zhejiang (CN)

(**) Term: **14 Years**

(21) Appl. No.: **29/367,196**

(22) Filed: **Aug. 4, 2010**

(51) **LOC (9) Cl.** **06-01**

(52) **U.S. Cl.** **D6/366**

(58) **Field of Classification Search** D6/334-336,
D6/356, 364, 365, 366, 367, 374, 379, 500-502;
297/411.2, 411.28, 452.21, 452.26, 452.29,
297/452.32, 452.35, 452.37, 452.48

See application file for complete search history.

(56) **References Cited**

U.S. PATENT DOCUMENTS

D531,434 S	*	11/2006	True	D6/500
D532,227 S	*	11/2006	Smith	D6/500
D532,628 S	*	11/2006	Egger	D6/500

D532,633 S	*	11/2006	Smith	D6/500
D533,377 S	*	12/2006	Egger	D6/500
D535,132 S	*	1/2007	Egger et al.	D6/501
D538,072 S	*	3/2007	McDiarmid et al.	D6/366
D542,578 S	*	5/2007	Smith	D6/501
D550,001 S	*	9/2007	Mazzera	D6/366
D561,502 S	*	2/2008	Egger	D6/501

* cited by examiner

Primary Examiner — Mimoso De

(74) *Attorney, Agent, or Firm* — Patent Procurement Services

(57) **CLAIM**

The ornamental design for a chair, as shown and described.

DESCRIPTION

FIG. 1 is a perspective view of chair, showing my new design;
FIG. 2 is a front side view thereof;
FIG. 3 is a top view thereof;
FIG. 4 is a right side view thereof;
FIG. 5 is a left side view thereof;
FIG. 6 is a rear view thereof; and,
FIG. 7 is a bottom view thereof.

1 Claim, 2 Drawing Sheets

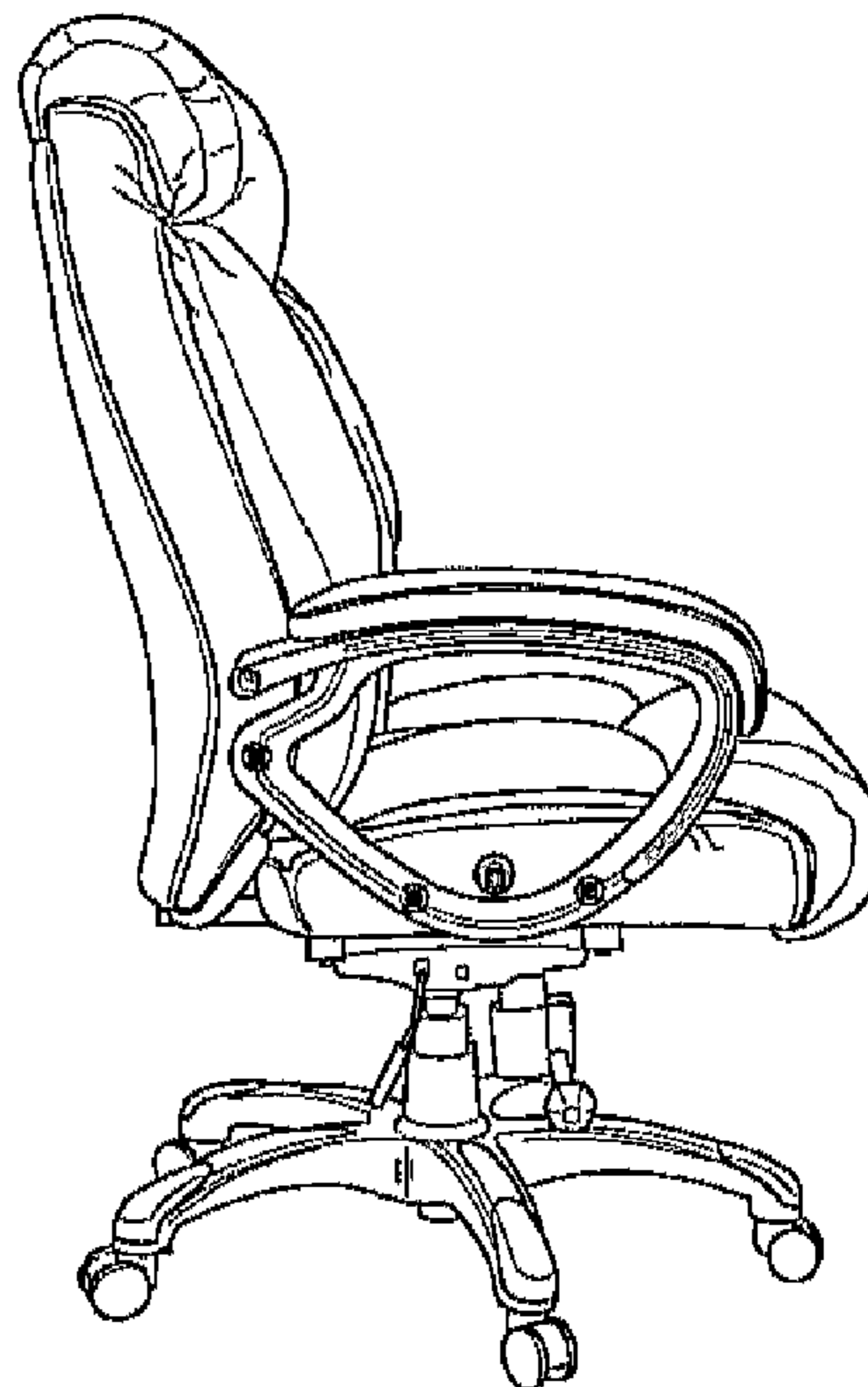
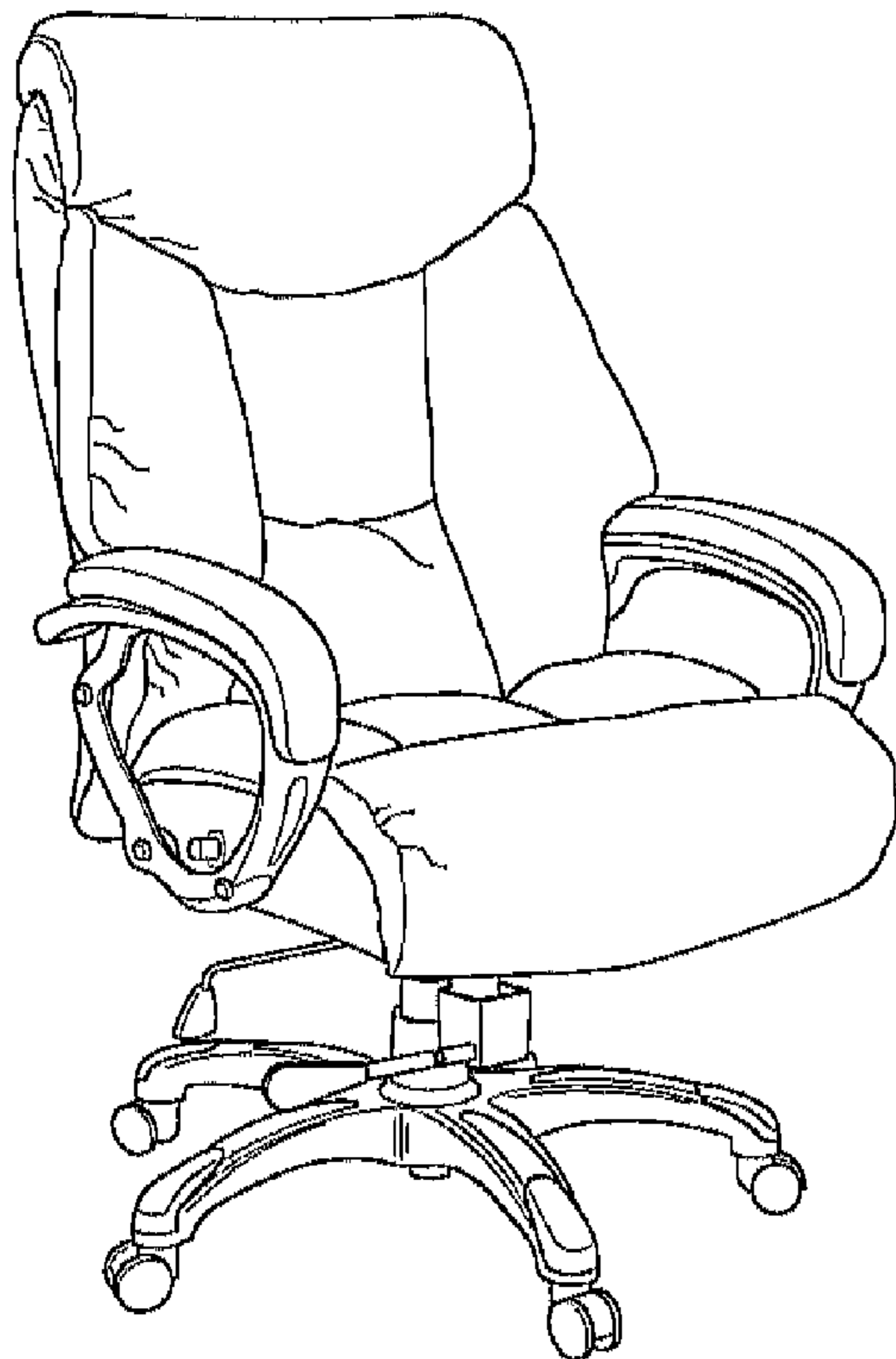




FIG. 1

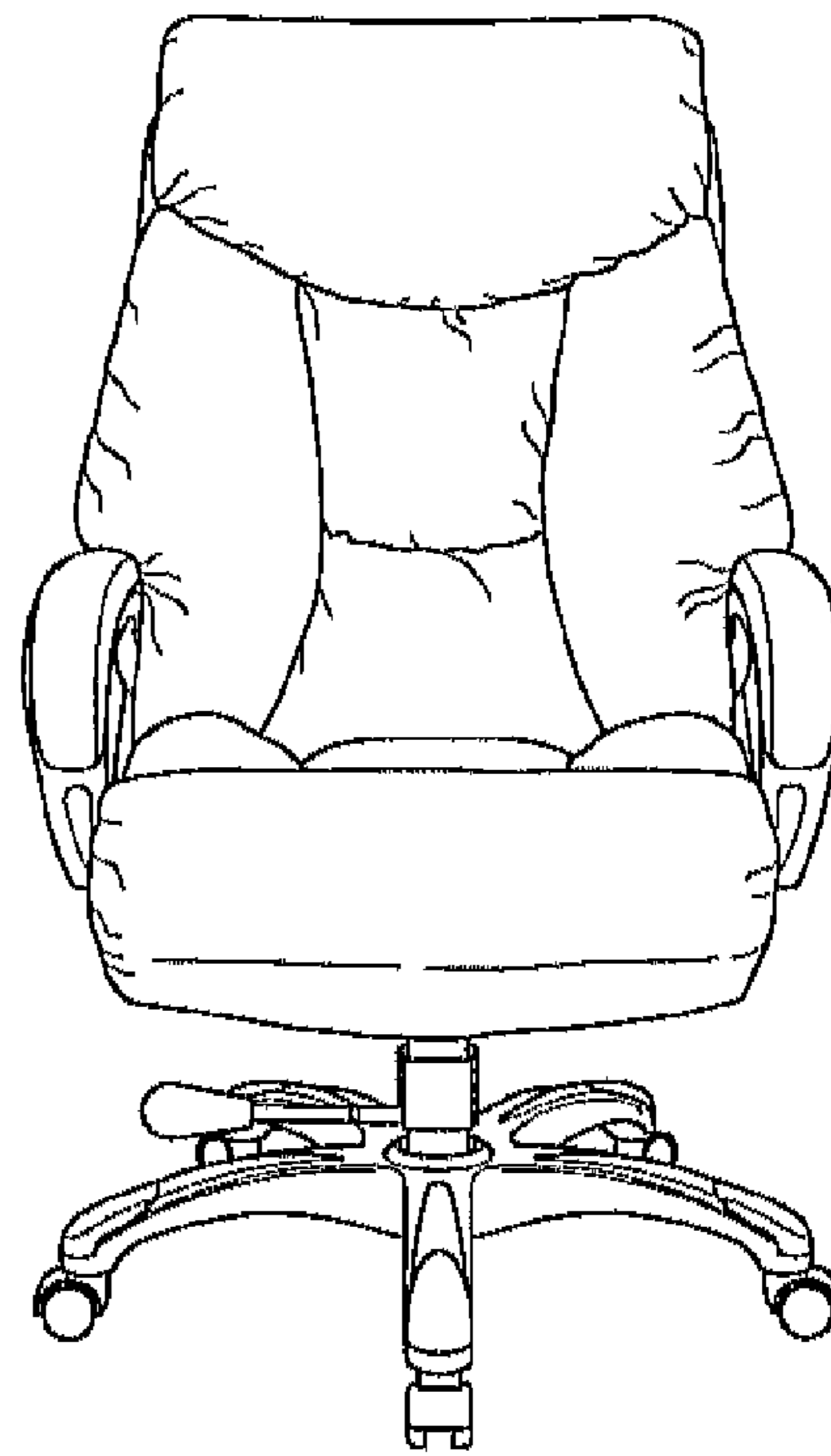


FIG. 2

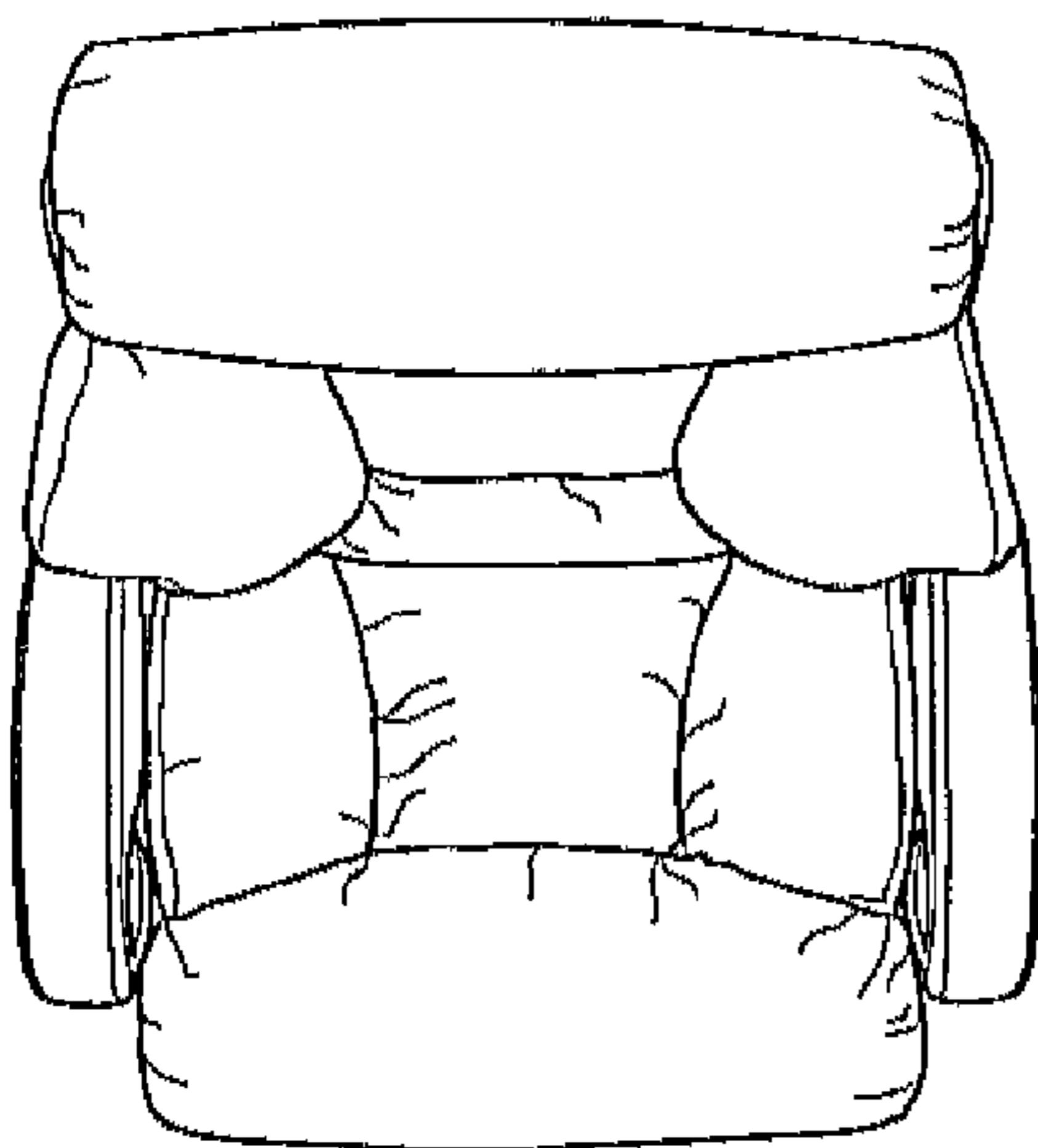


FIG. 3

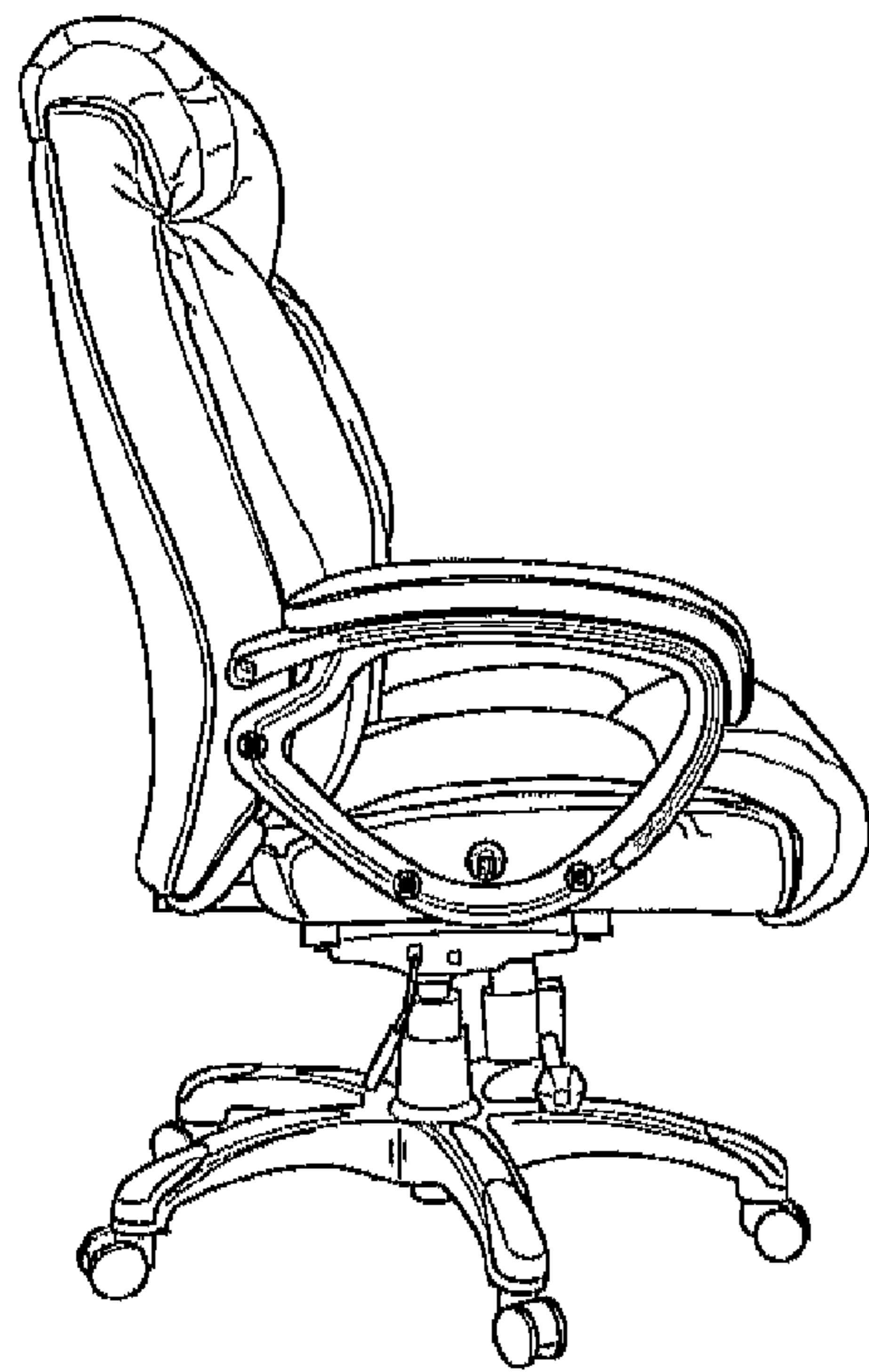


FIG. 4

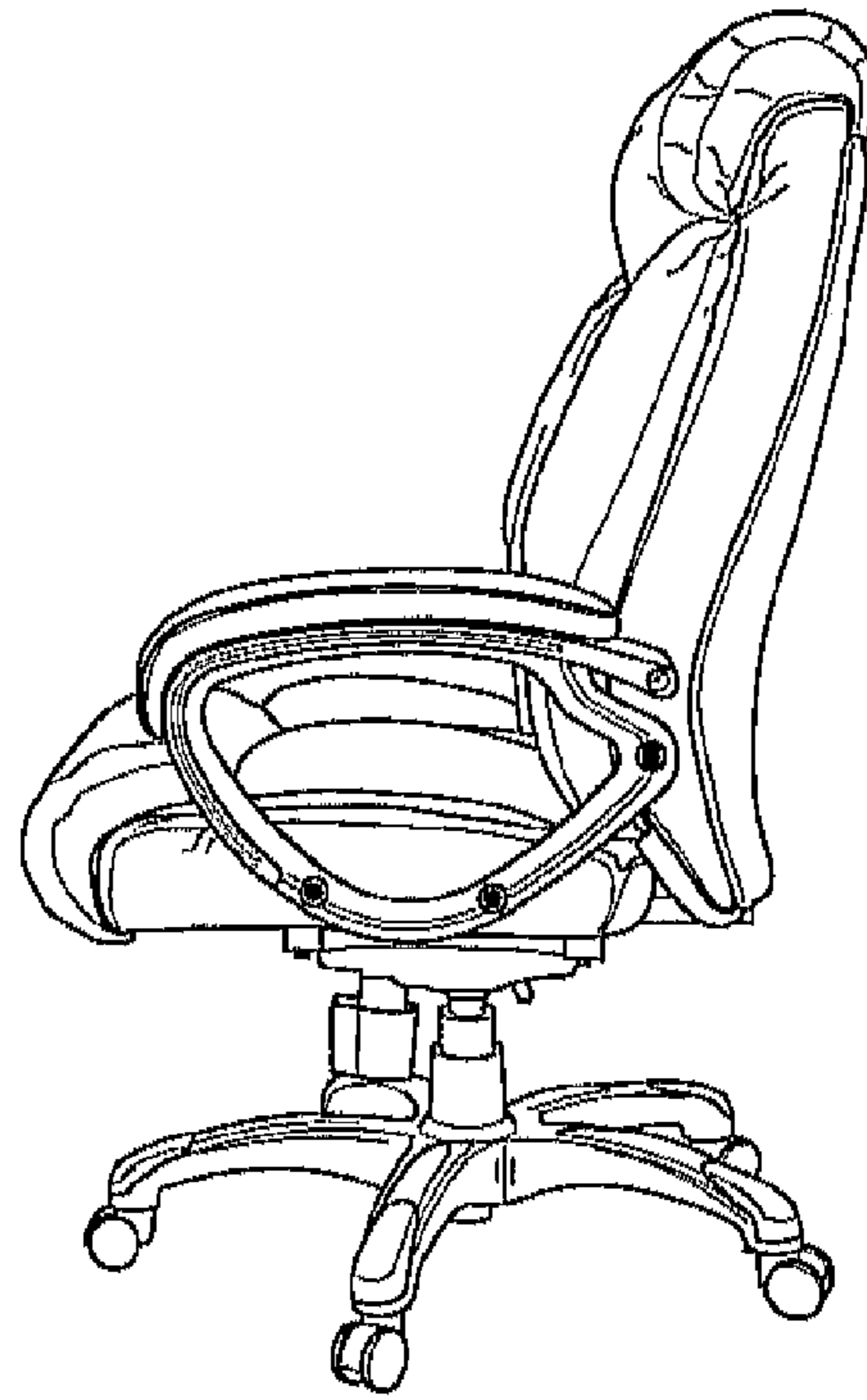


FIG. 5

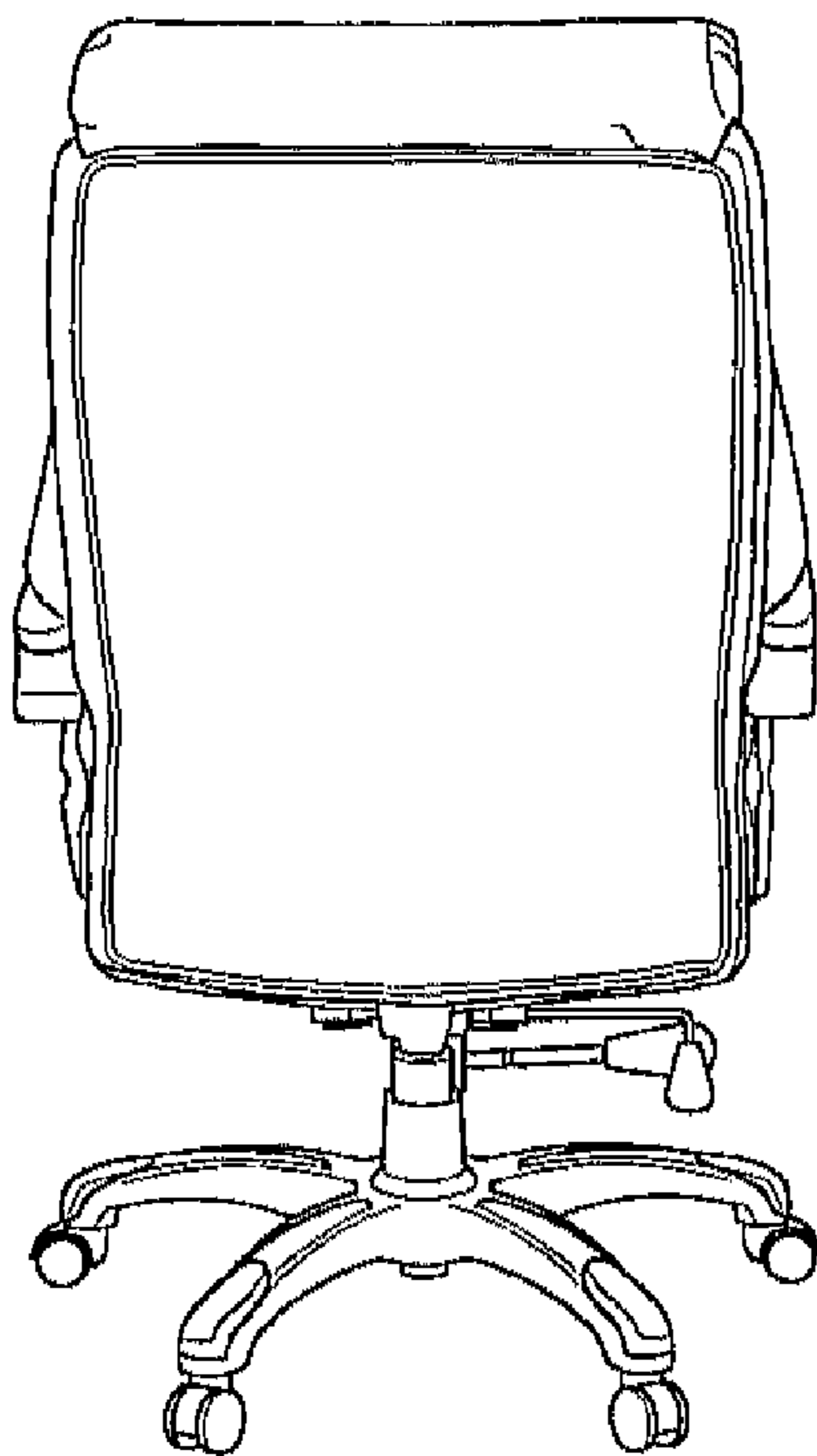


FIG. 6

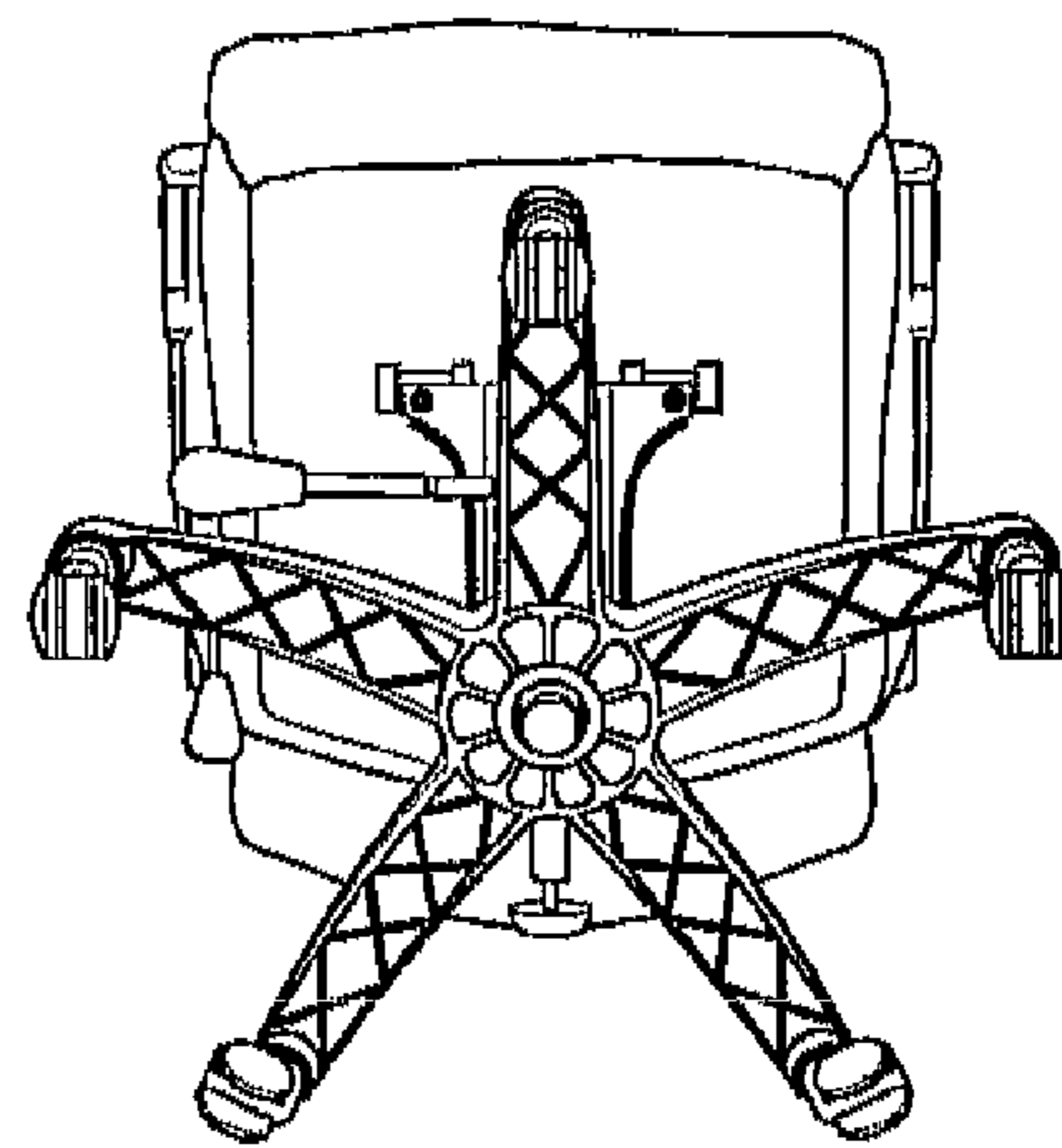


FIG. 7