



US00D657578S

(12) **United States Design Patent**
Szekely

(10) **Patent No.:** **US D657,578 S**

(45) **Date of Patent:** **** Apr. 17, 2012**

(54) **SEATING UNIT**

(75) Inventor: **Kenneth Eugene Szekely**, Oakville
(CA)

(73) Assignee: **Maxsecure Systems Incorporated**,
Ontario (CA)

(**) Term: **14 Years**

(21) Appl. No.: **29/352,908**

(22) Filed: **Dec. 29, 2009**

(30) **Foreign Application Priority Data**

Jun. 29, 2009 (CA) 131265

(51) **LOC (9) Cl.** **06-01**

(52) **U.S. Cl.** **D6/349**

(58) **Field of Classification Search** D6/340,
D6/349, 353, 354, 355, 491, 500-502; 297/195.1,
297/195.11, 175, 187, 215.16, 219.11, 423.1,
297/423.14, 423.16, 423.39, 423.41, 461,
297/462, 156, 158.2, 186, 214; 108/136-137
See application file for complete search history.

(56) **References Cited**

U.S. PATENT DOCUMENTS

D439,447 S *	3/2001	Diekman	D6/486
D441,206 S *	5/2001	Olofson	D6/351
D465,663 S *	11/2002	Ramirez	D6/349
D471,888 S *	3/2003	Solland	D14/204
D532,618 S *	11/2006	Mourgue	D6/352
D557,910 S *	12/2007	Saunders et al.	D6/350

D580,666 S *	11/2008	Sempe	D6/349
D610,359 S *	2/2010	Young-il et al.	D6/355
D615,020 S *	5/2010	Bock	D12/345
D625,678 S *	10/2010	Heinz	D12/217

* cited by examiner

Primary Examiner — Sandra Snapp

(74) *Attorney, Agent, or Firm* — Birch, Stewart, Kolasch &
Birch, LLP

(57) **CLAIM**

The ornamental design for a seating unit, as shown and described.

DESCRIPTION

FIG. 1 is a front top perspective view of the first embodiment of the seating unit;

FIG. 2 is a front view facing the sloped portion of the seating unit of FIG. 1;

FIG. 3 is a back view of the seating unit of FIG. 1;

FIG. 4 is a side view of the seating unit of FIG. 1;

FIG. 5 is an opposing side view of the seating unit of FIG. 1;

FIG. 6 is a top plan view of the seating unit of FIG. 1;

FIG. 7 is a bottom plan view of the seating unit of FIG. 1;

FIG. 8 is a front top perspective view of the second embodiment of the seating unit;

FIG. 9 is a front view facing the sloped portion of the seating unit of FIG. 8;

FIG. 10 is a back view of the seating unit of FIG. 8;

FIG. 11 is a side view of the seating unit of FIG. 8;

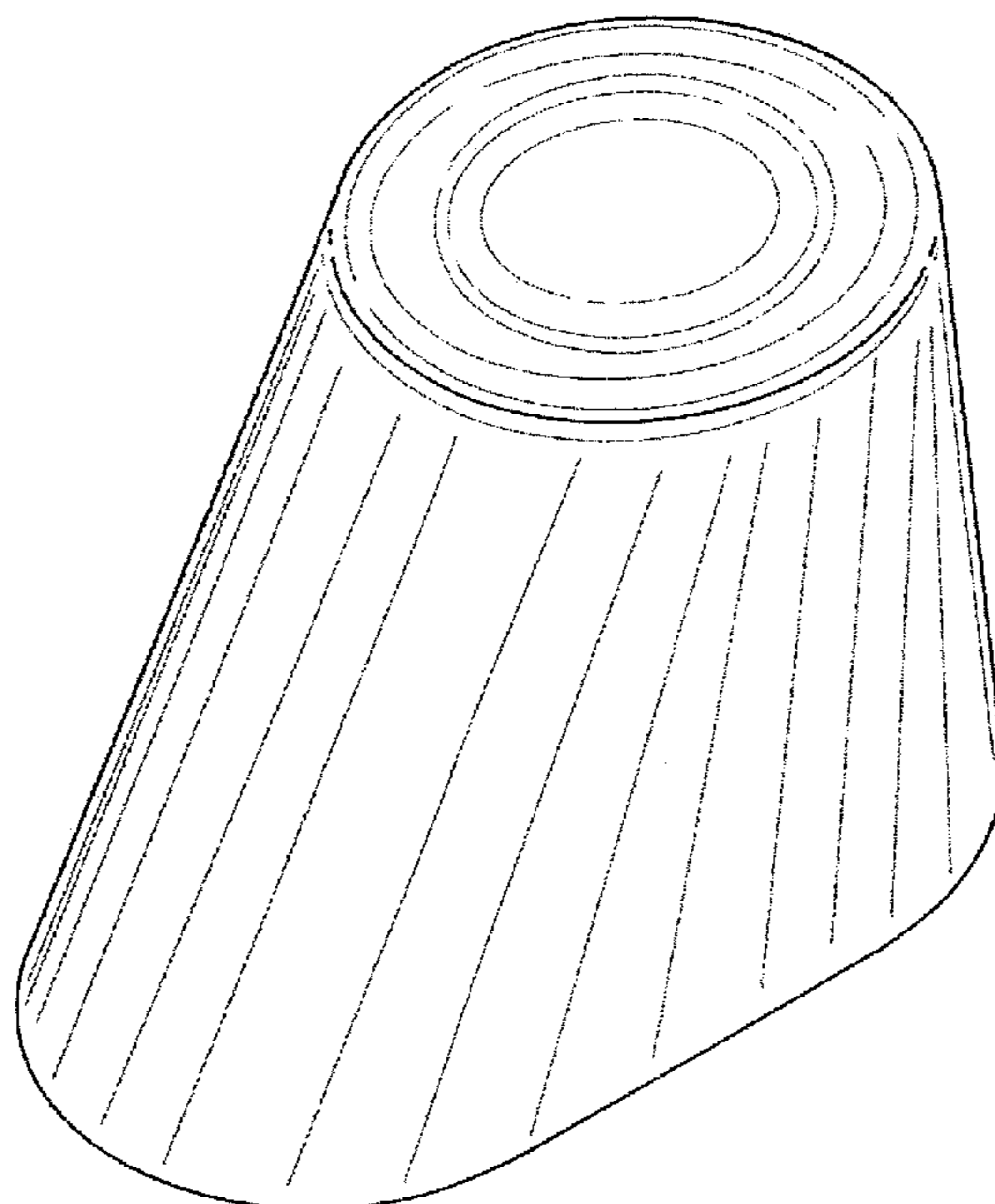
FIG. 12 is an opposing side view of the seating unit of FIG. 8;

FIG. 13 is a top plan view of the seating unit of FIG. 8; and,

FIG. 14 is a bottom plan view of the seating unit of FIG. 8.

The broken lines shown in the drawings are for illustrative purposes only and form no part of the claimed design.

1 Claim, 8 Drawing Sheets



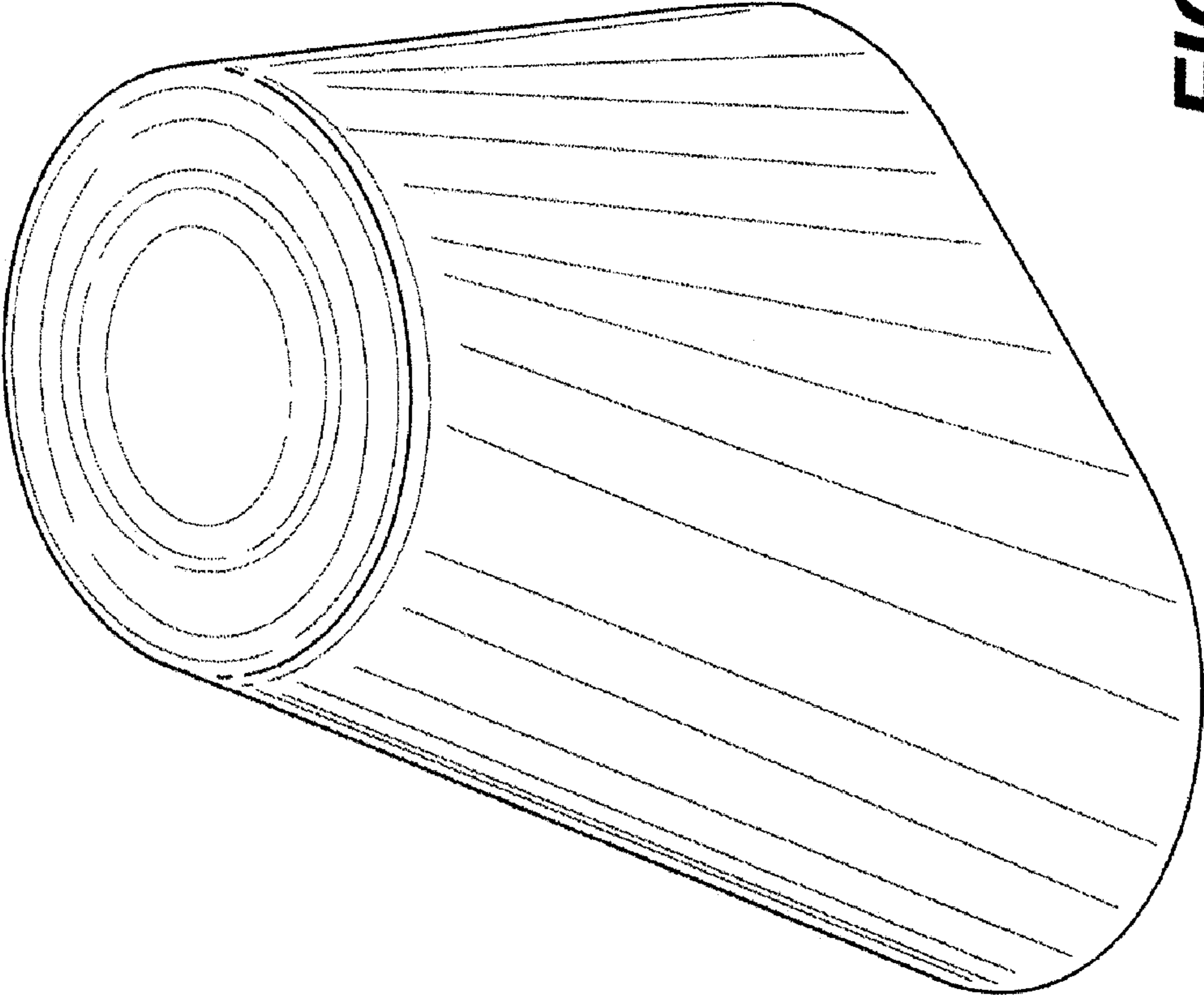


FIG. 1

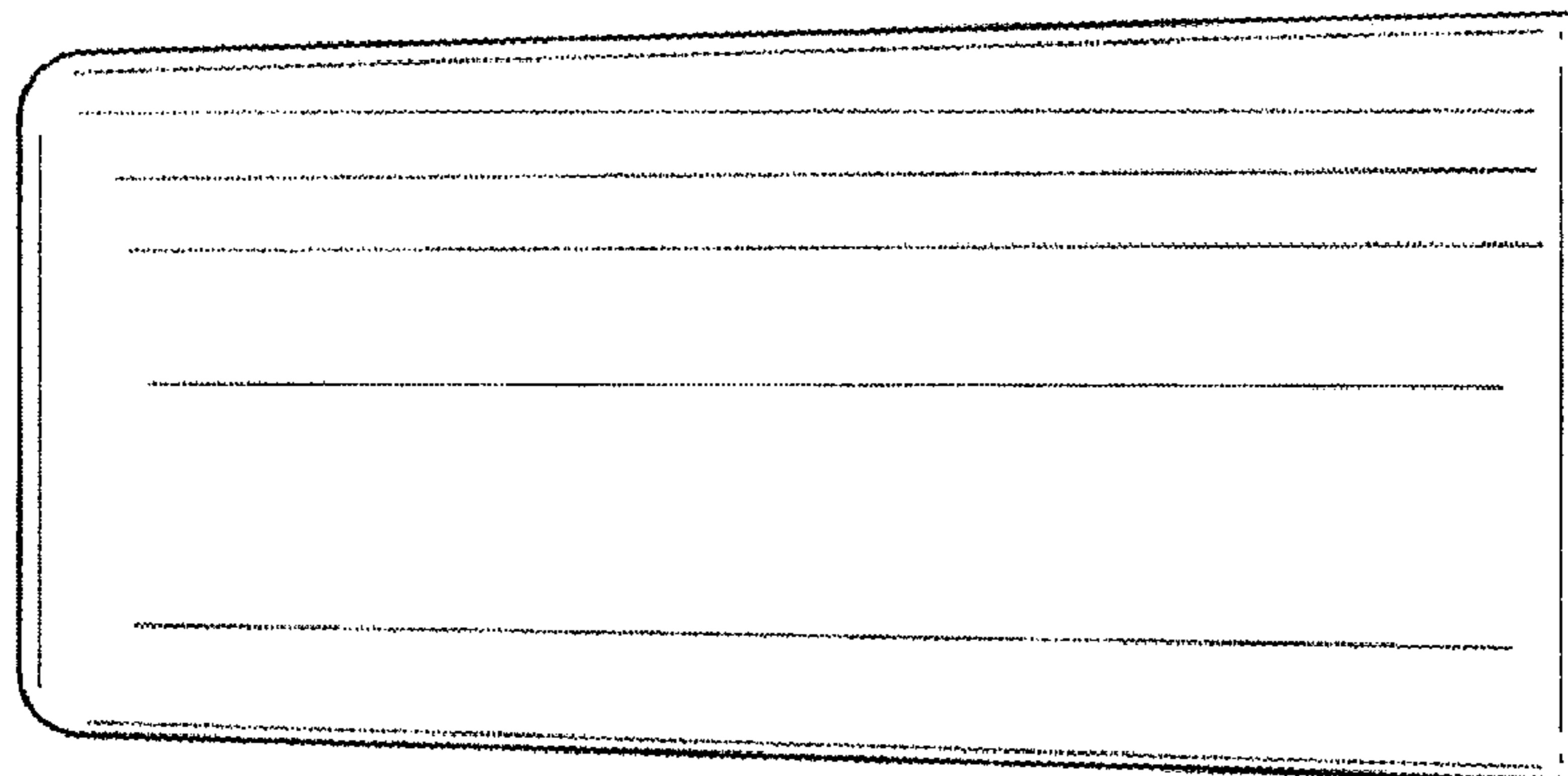


FIG. 3

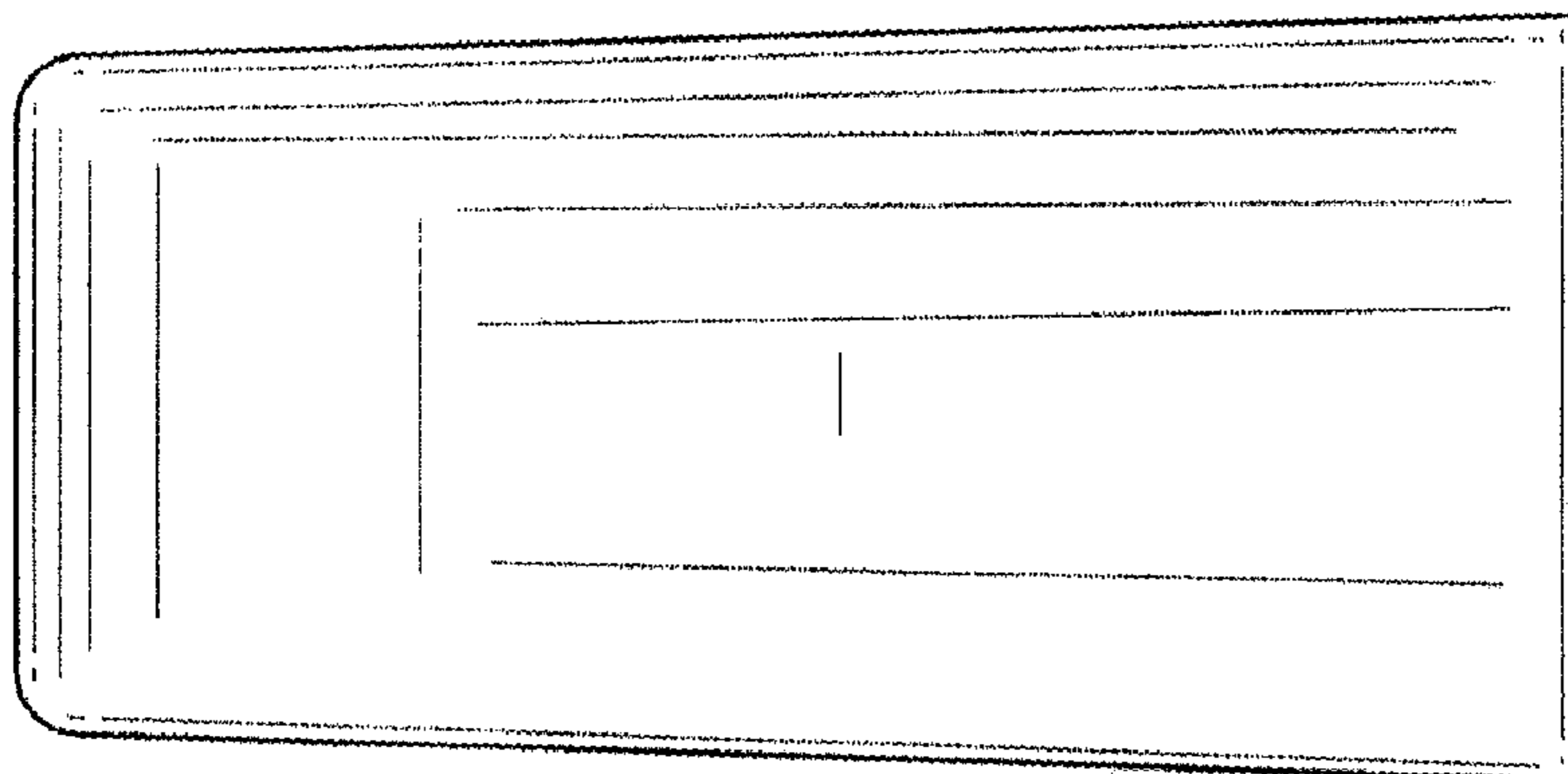


FIG. 2

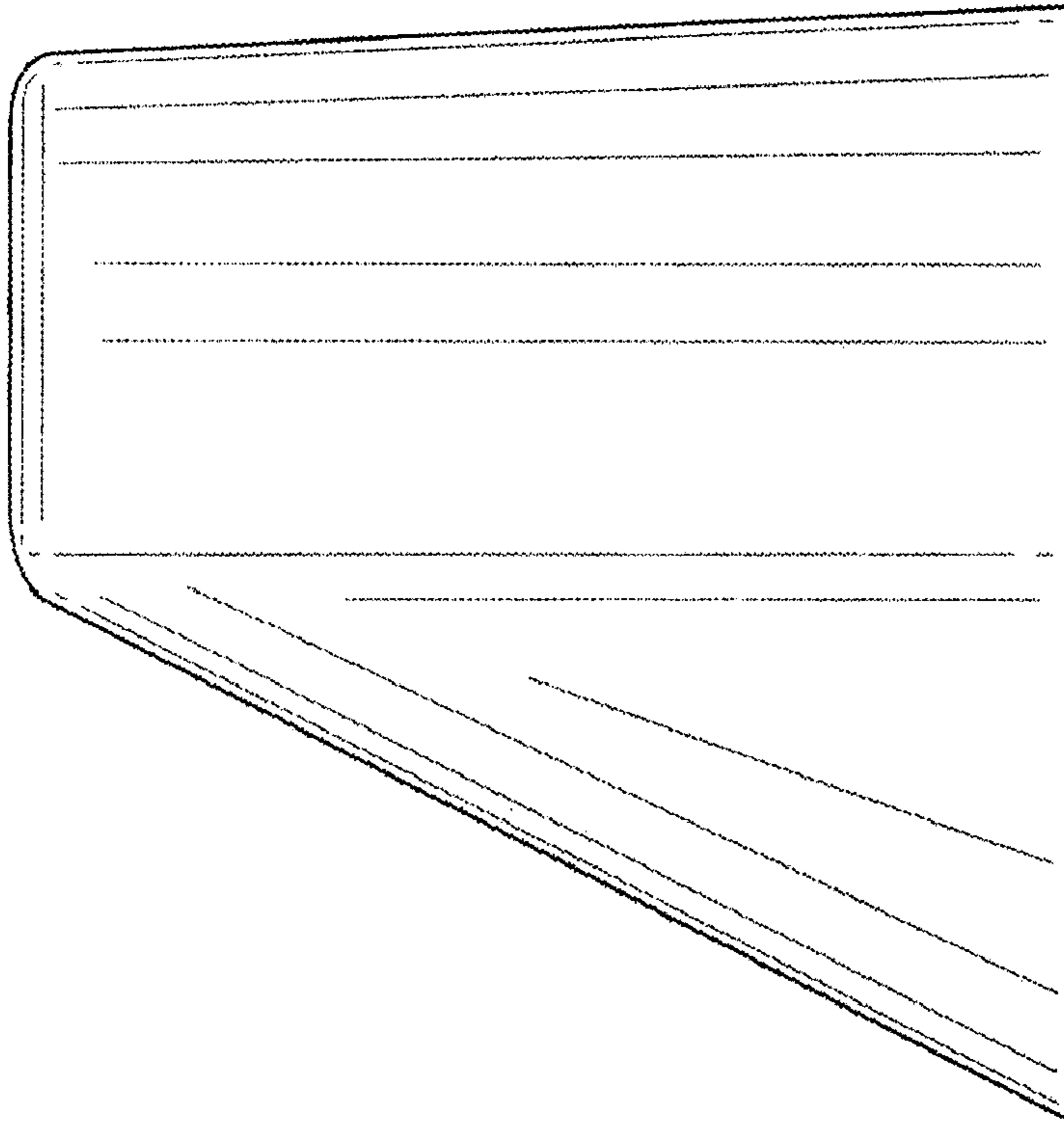


FIG. 4

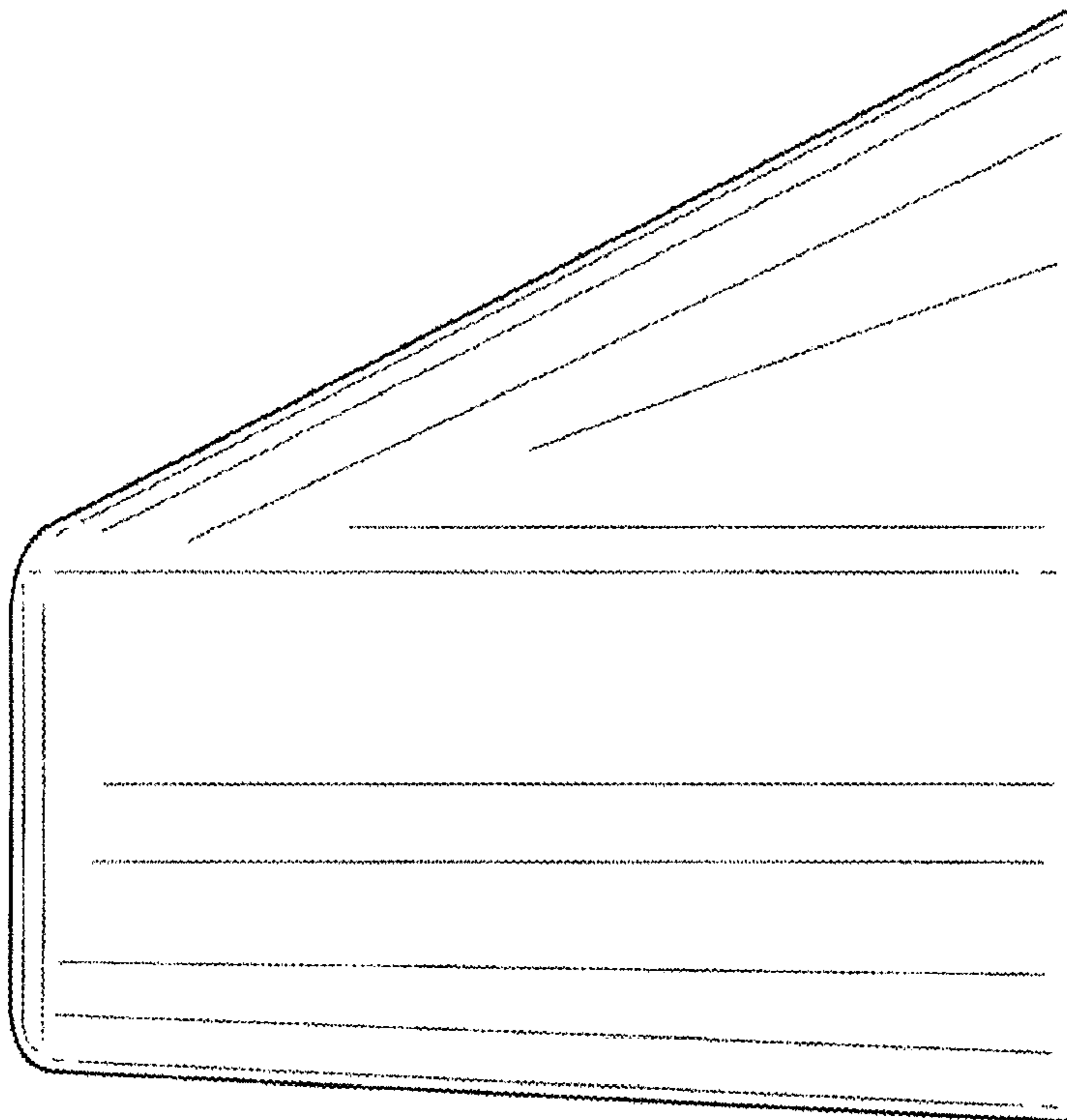


FIG. 5

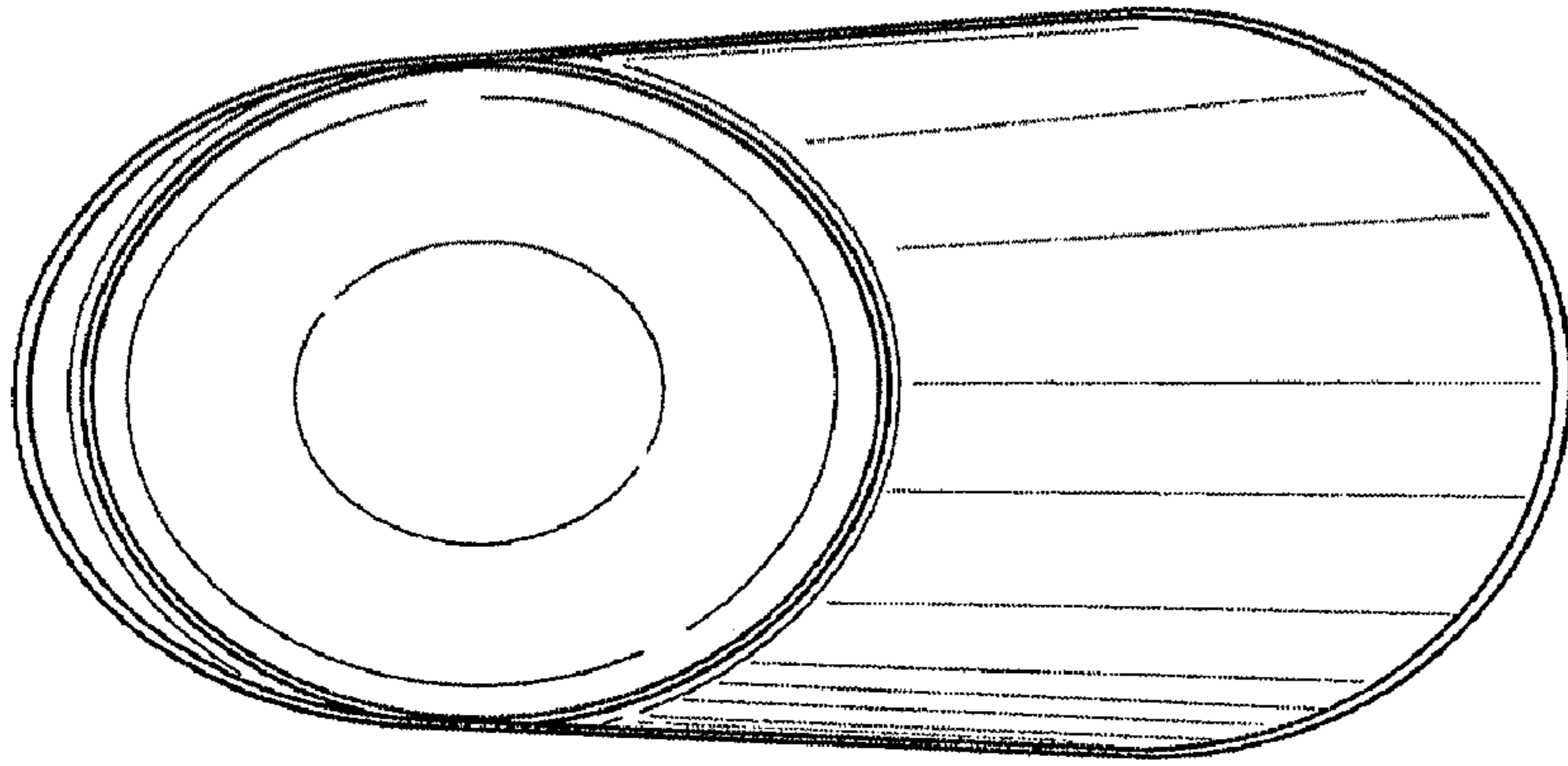


FIG. 7

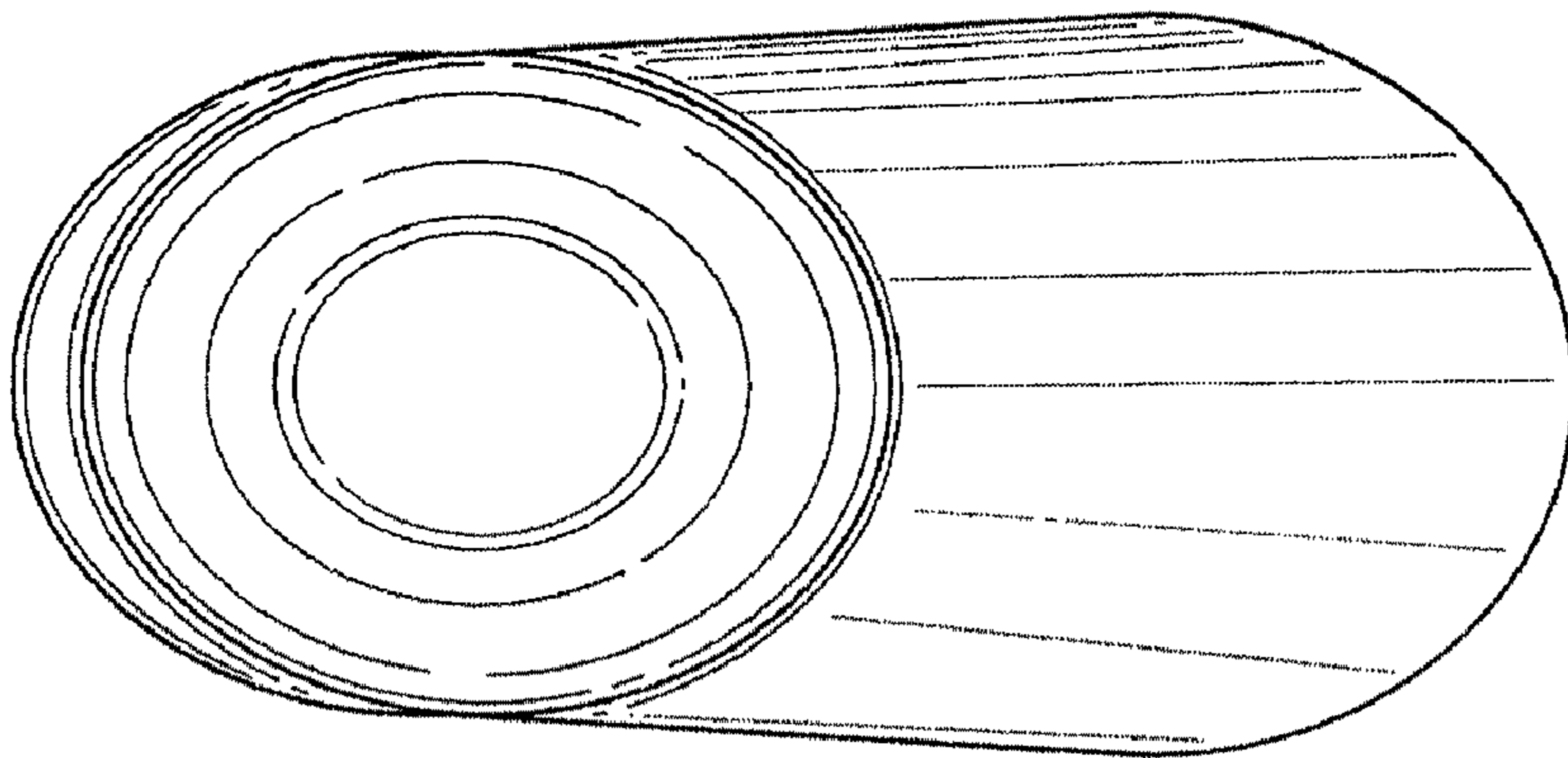


FIG. 6

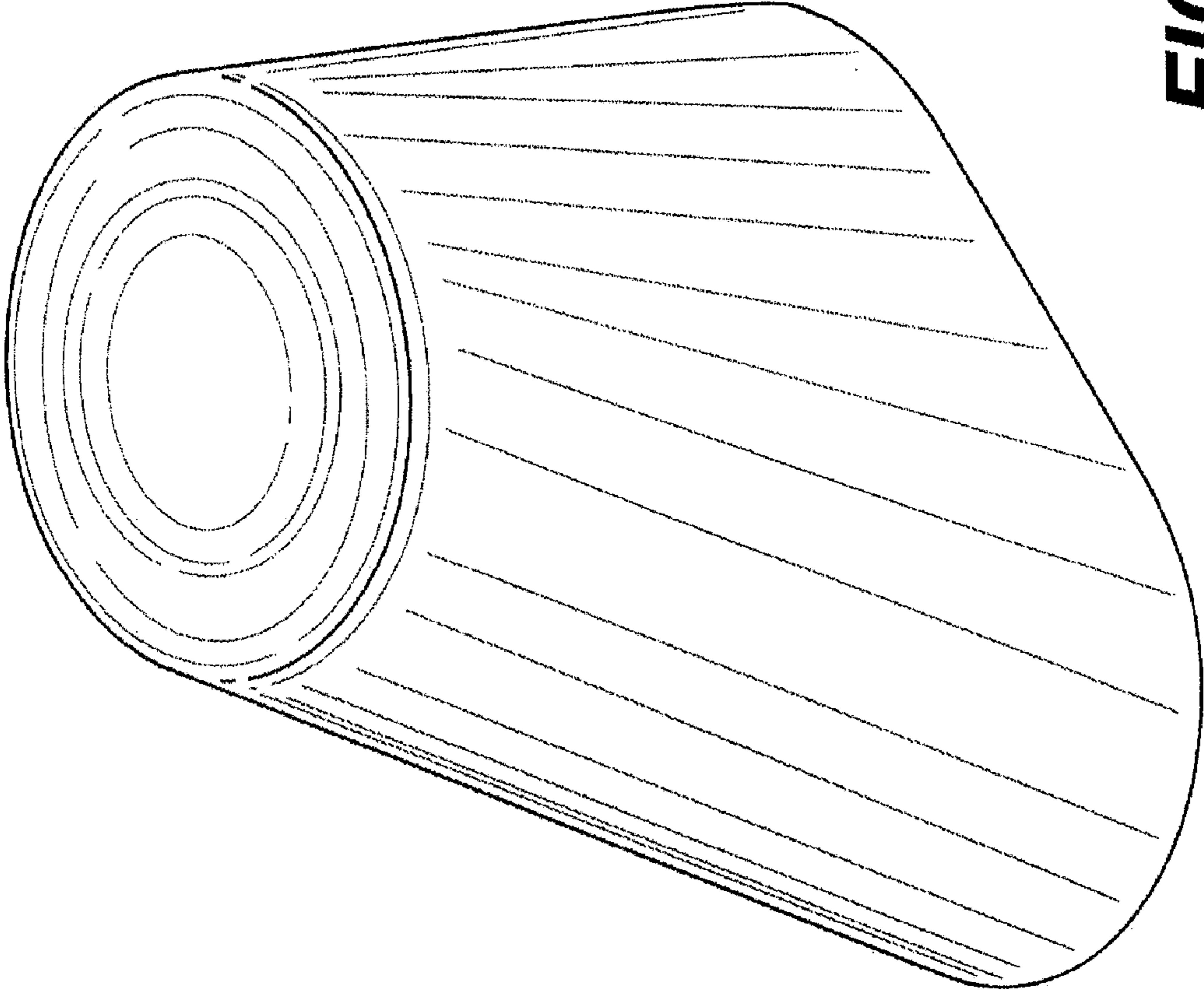


FIG. 8

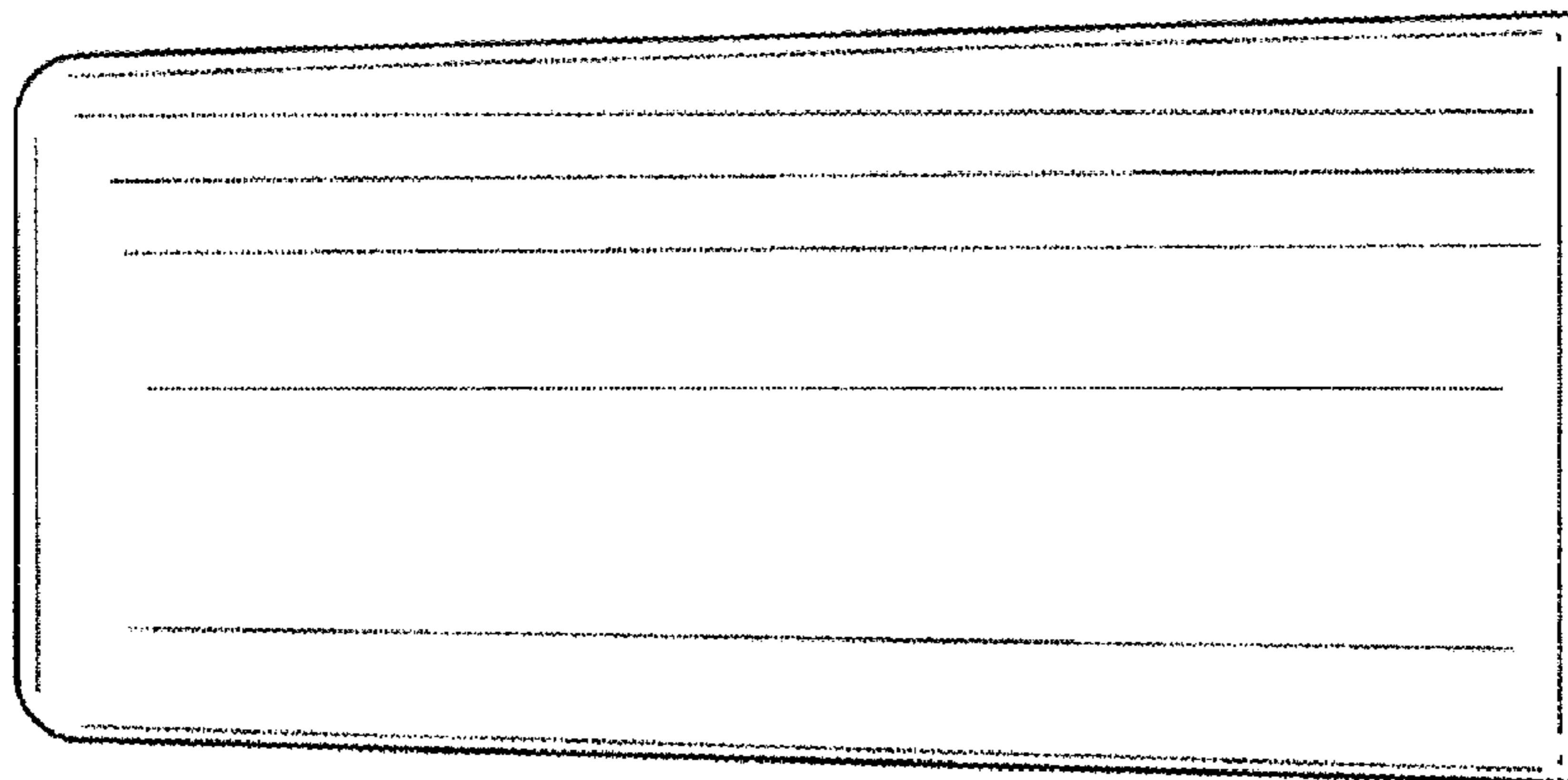


FIG. 9

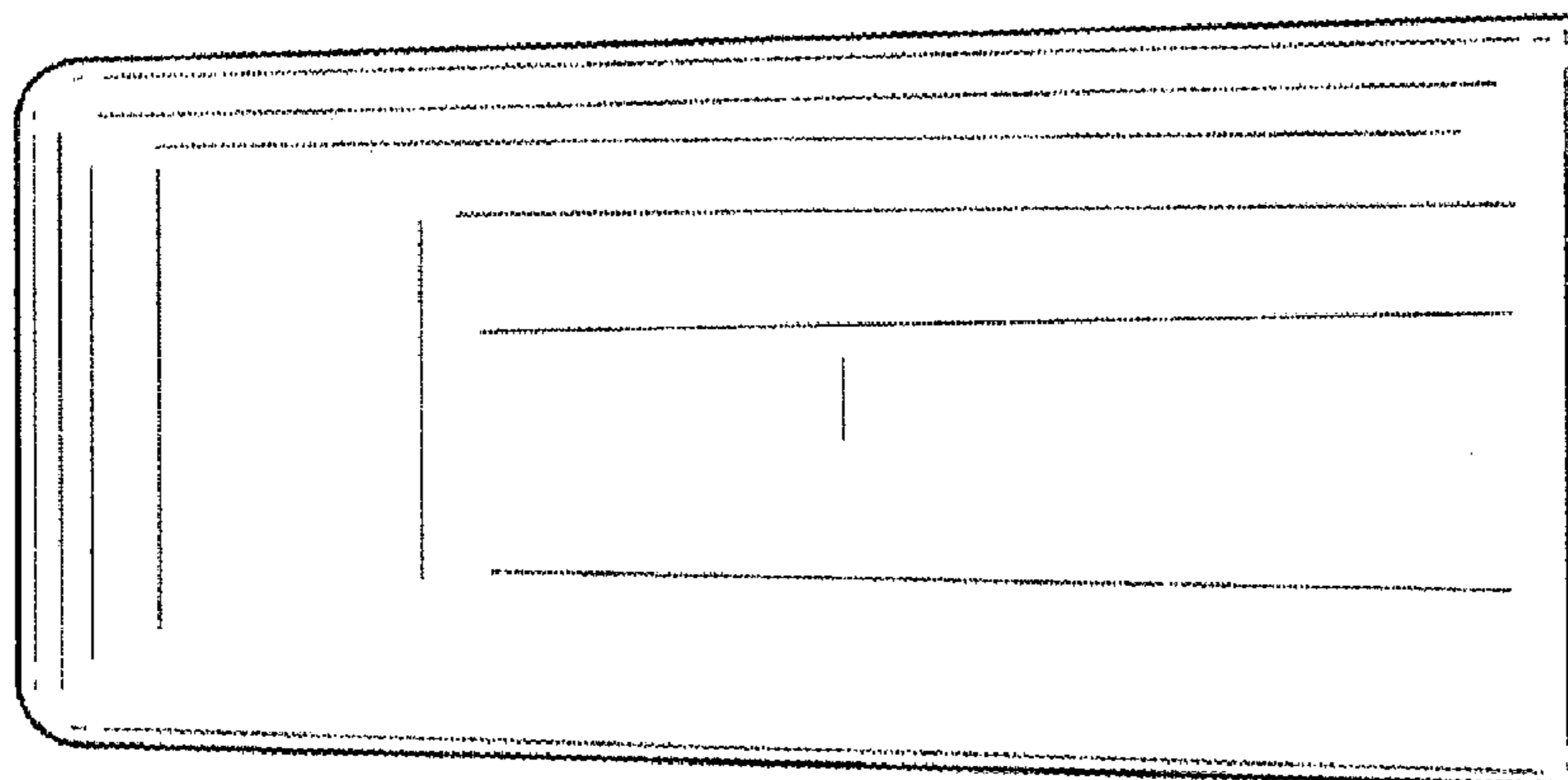


FIG. 10

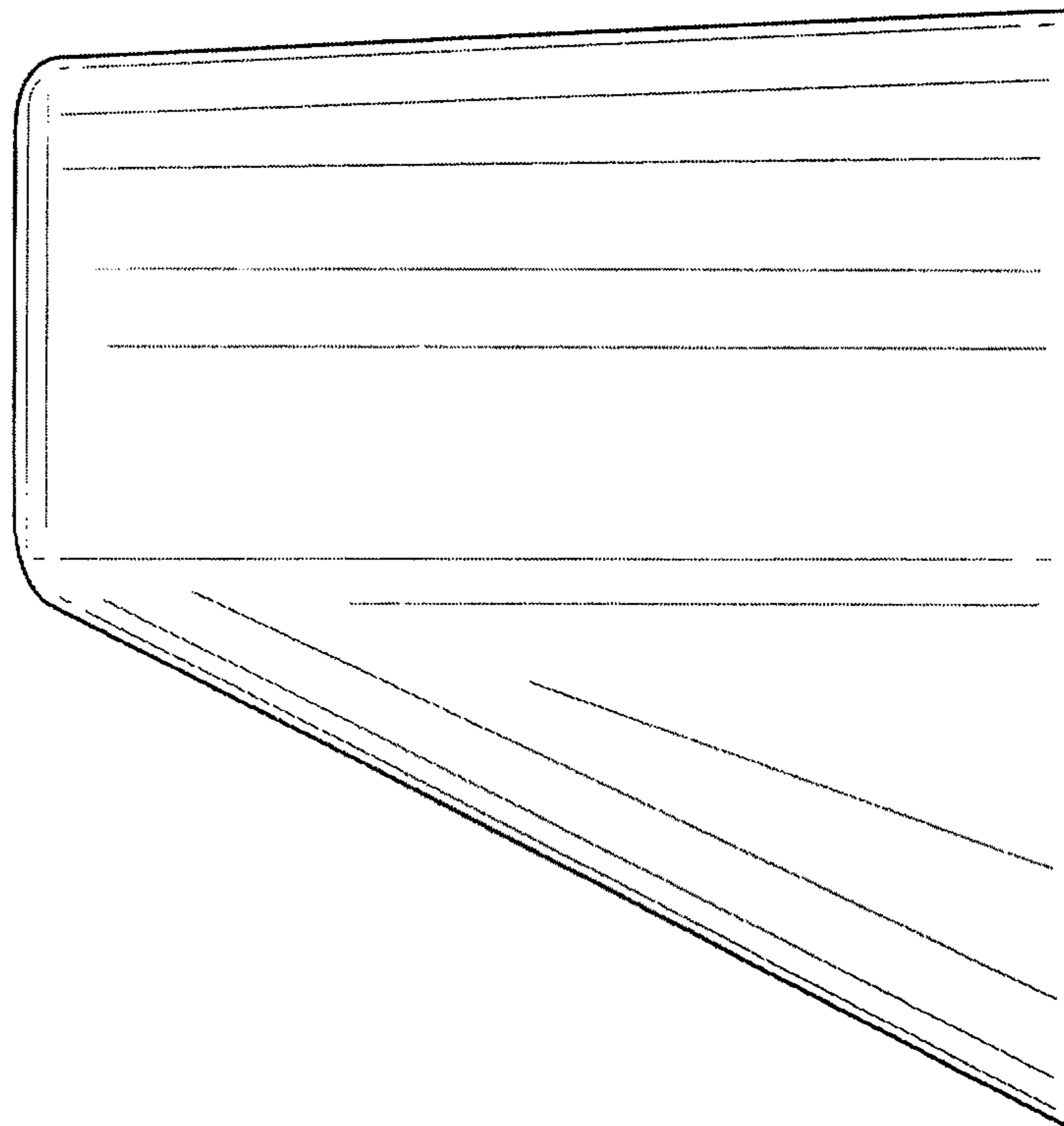


FIG. 11

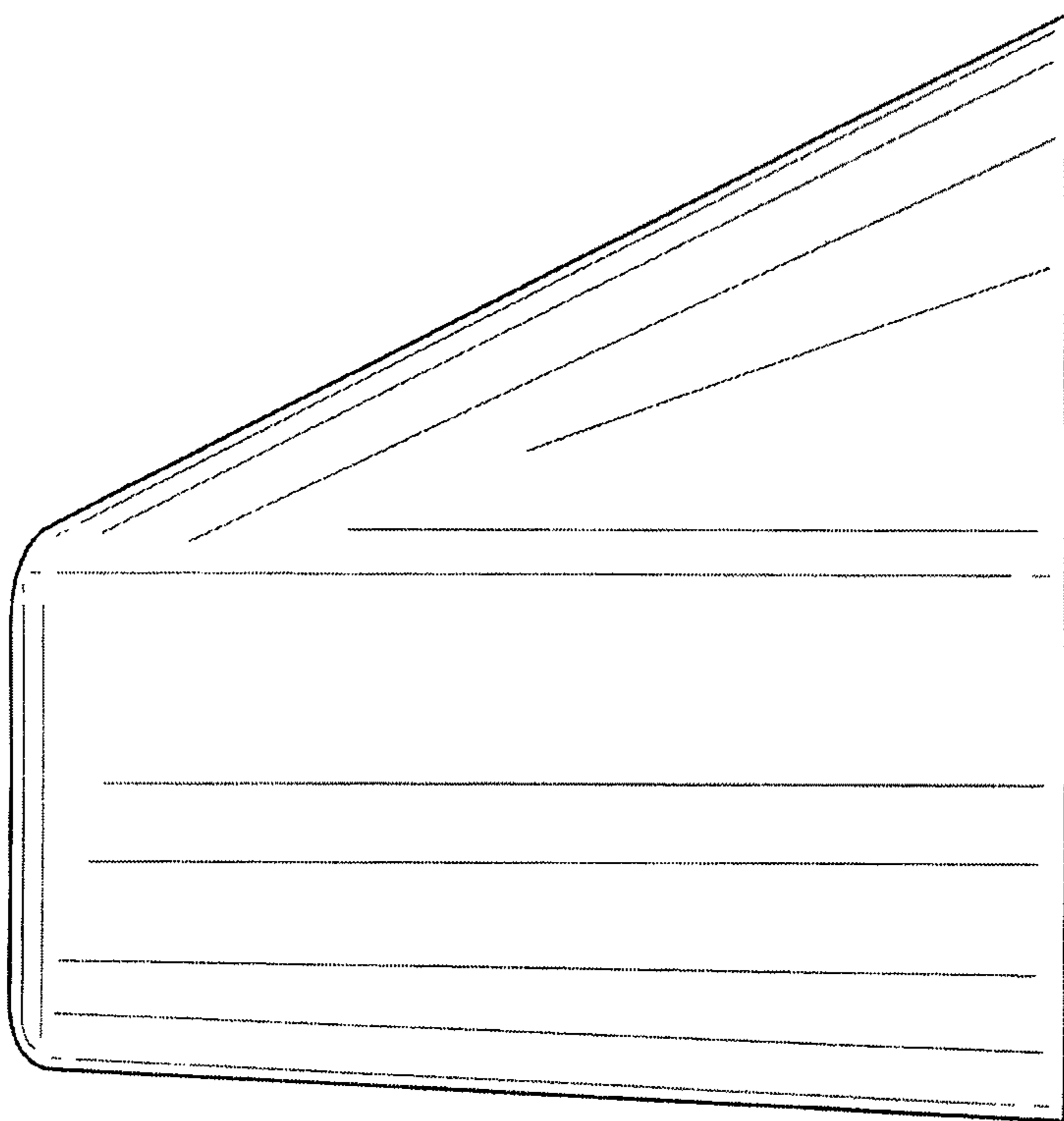


FIG. 12

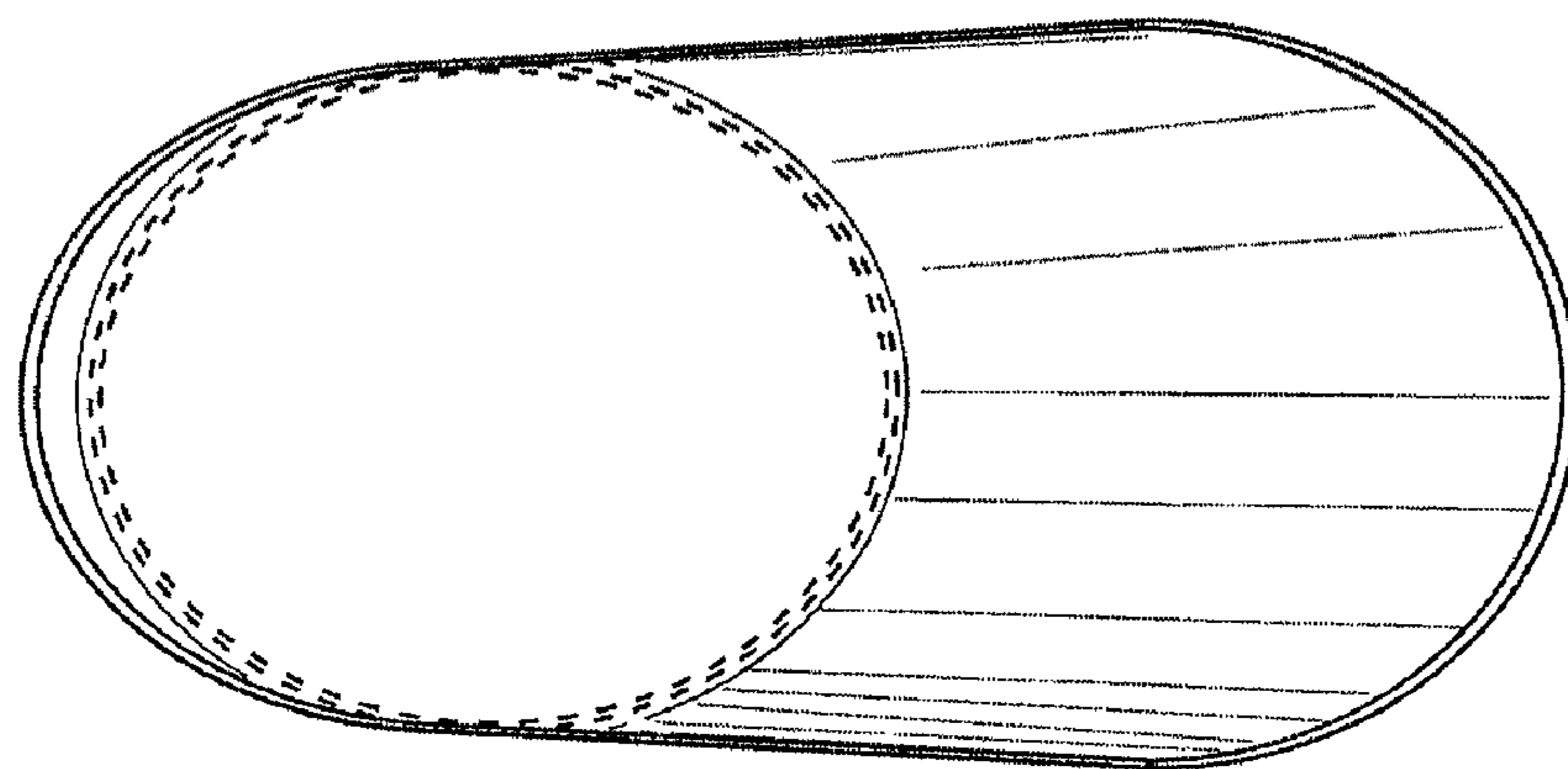


FIG. 14

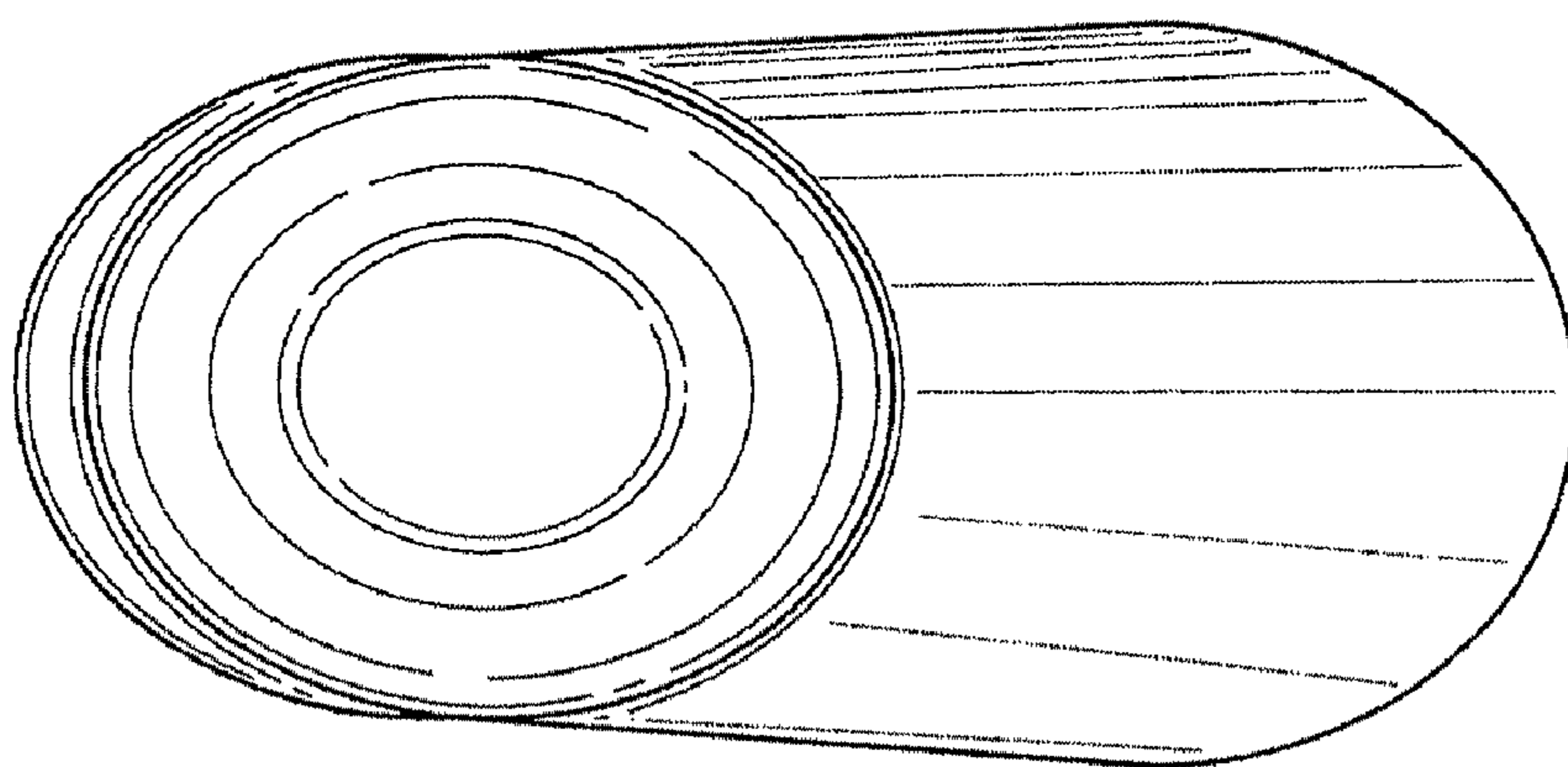


FIG. 13