



US00D657577S

(12) **United States Design Patent**
Coote

(10) **Patent No.:** **US D657,577 S**

(45) **Date of Patent:** **** Apr. 17, 2012**

(54) **CLOTHES HANGER**

(75) Inventor: **Robert Coote**, Billericay (GB); **John Coote**, legal representative, Essex (GB)

(73) Assignee: **Delray Design Limited**, Hertfordshire (GB)

(**) Term: **14 Years**

(21) Appl. No.: **29/392,072**

(22) Filed: **May 17, 2011**

(30) **Foreign Application Priority Data**

Nov. 17, 2010 (EM) 001782624

(51) **LOC (9) Cl.** **08-06**

(52) **U.S. Cl.** **D6/328**

(58) **Field of Classification Search** D6/315-328;
223/85-98; 248/95, 317, 339; 211/86.01,
211/113; 206/806, 278, 348

See application file for complete search history.

(56) **References Cited**

U.S. PATENT DOCUMENTS

D204,376	S *	4/1966	Garver	D26/142
3,710,996	A *	1/1973	Smilow et al.	223/87
3,783,995	A *	1/1974	Tobin	206/232
3,790,045	A	2/1974	Rigel et al.		
4,063,669	A *	12/1977	Smilow et al.	223/87
4,153,189	A	5/1979	Hughes		
4,212,403	A	7/1980	Zeigler et al.		
D268,553	S *	4/1983	Beier	D8/373
4,453,655	A *	6/1984	Smilow et al.	223/87
D301,522	S *	6/1989	Kolton et al.	D6/315
4,930,692	A *	6/1990	Smilow et al.	223/85
5,005,741	A *	4/1991	Kolton et al.	223/85
5,222,638	A	6/1993	Kolton et al.		
5,429,284	A	7/1995	Kolton et al.		

5,437,172	A	8/1995	Lamy et al.		
D368,591	S *	4/1996	Doyle, III	D6/315
5,615,810	A *	4/1997	Kolton et al.	223/85
5,626,268	A *	5/1997	Kolton et al.	223/85
5,799,843	A *	9/1998	Hsu	223/85
5,988,462	A	11/1999	Kolton		

(Continued)

FOREIGN PATENT DOCUMENTS

CN 201260583 6/2009

(Continued)

OTHER PUBLICATIONS

Intellectual Property Office Search Report for corresponding application No. GB1015123.1 dated Jan. 12, 2011.

(Continued)

Primary Examiner — Prabhakar Deshmukh

(74) *Attorney, Agent, or Firm* — Renner, Otto, Boisselle & Sklar, LLP

(57) **CLAIM**

The ornamental design for a clothes hanger, as shown and described.

DESCRIPTION

FIG. 1 is a front view of a clothes hanger showing my new design.

FIG. 2 is a left side view of the clothes hanger.

FIG. 3 is a back view of the clothes hanger.

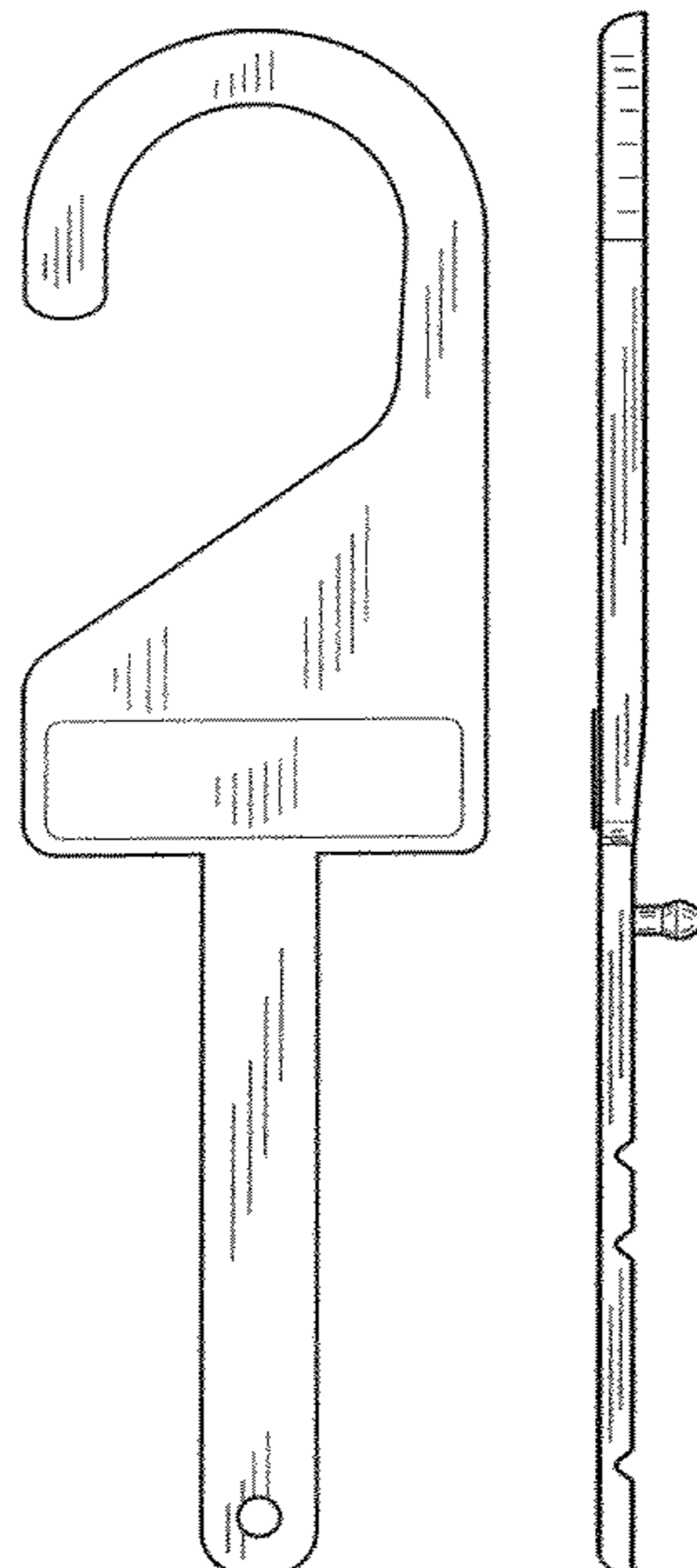
FIG. 4 is a right side view of the clothes hanger.

FIG. 5 is a top view of the clothes hanger.

FIG. 6 is a bottom view of the clothes hanger; and,

FIG. 7 is a side view showing the clothes hanger in a folded use condition.

1 Claim, 6 Drawing Sheets



US D657,577 S

Page 2

U.S. PATENT DOCUMENTS

6,299,039	B1	10/2001	Hsu
7,015,815	B1	3/2006	Feibelman
2004/0217249	A1	11/2004	Eisenbraun
2005/0099303	A1	5/2005	Zuckerman

FOREIGN PATENT DOCUMENTS

EP	0 771 922	5/1997
FR	2714103	6/1995
GB	232141	4/1925
GB	2228864	9/1990

OTHER PUBLICATIONS

Intellectual Property Office Search Report for corresponding application No. GB1000483.6 dated Apr. 8, 2010.

International Search Report for corresponding application No. GB2011/050046 dated Apr. 13, 2011.

* cited by examiner

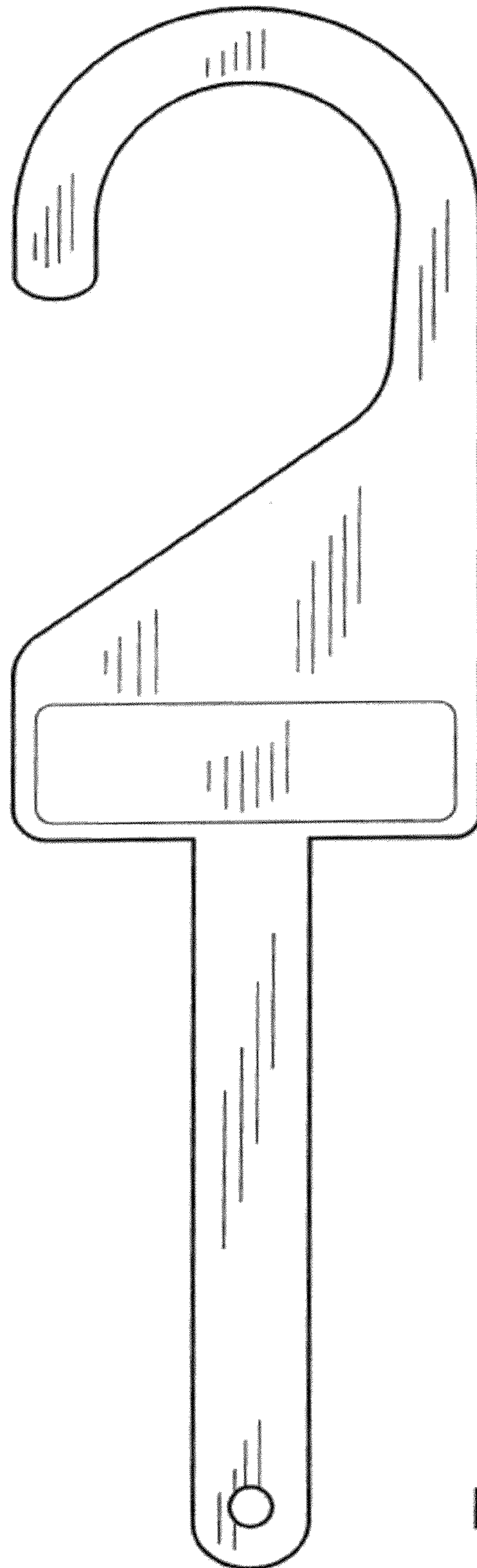


FIG. 1

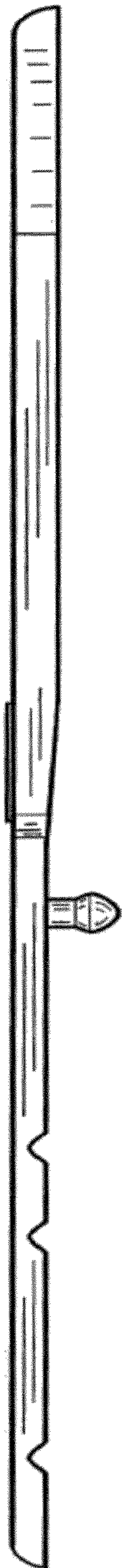


FIG. 2

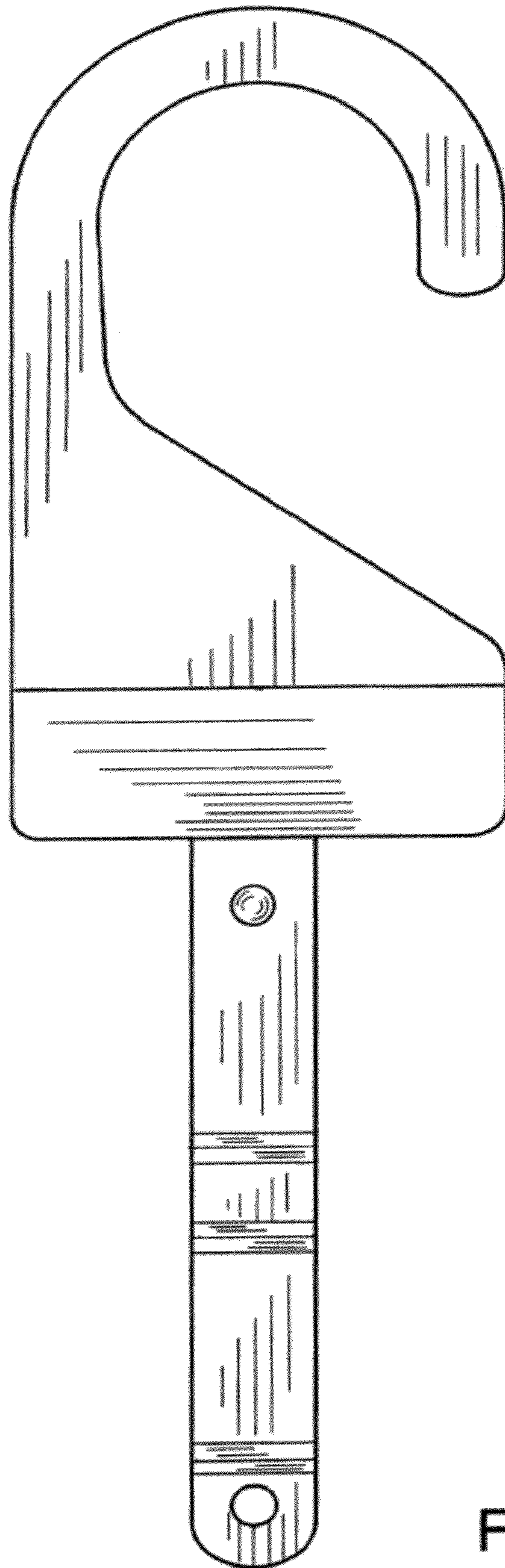


FIG. 3

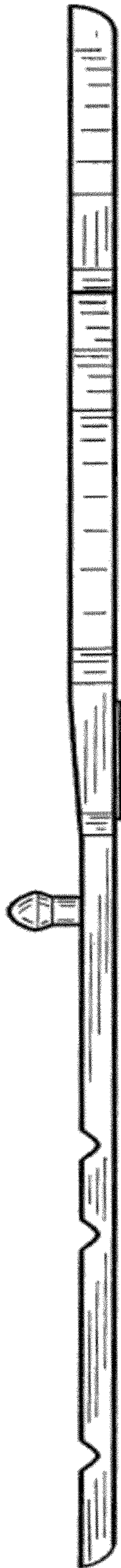


FIG. 4

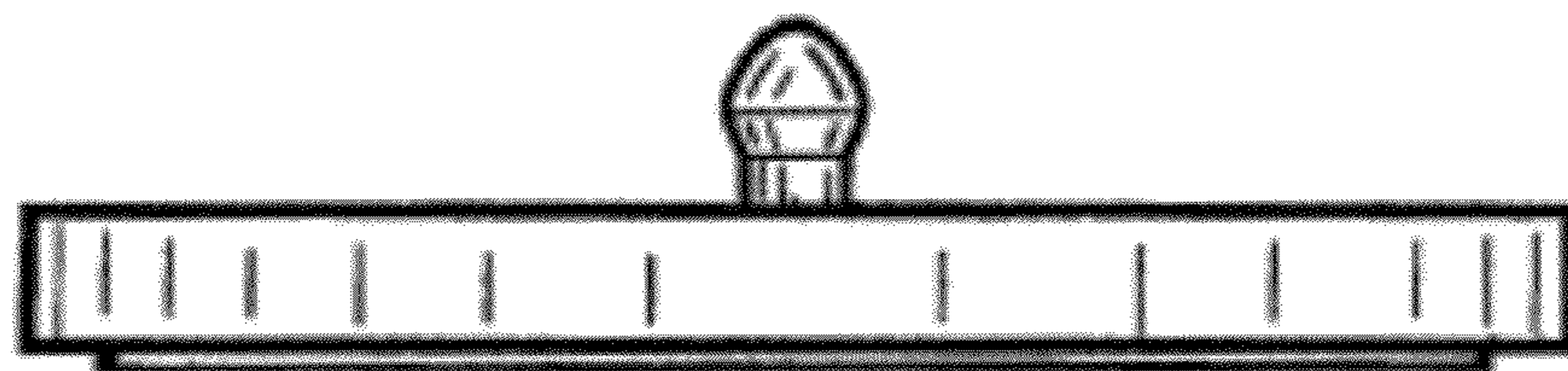


FIG. 5

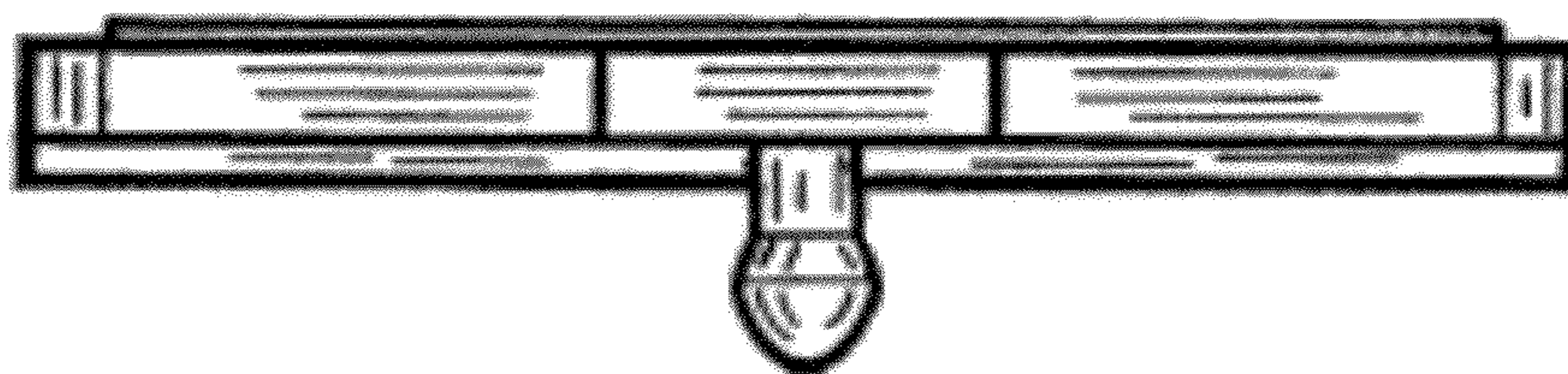


FIG. 6

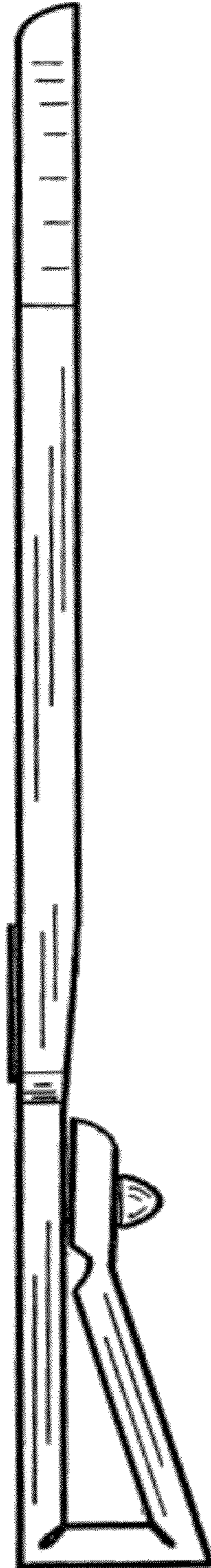


FIG. 7