



US00D657576S

(12) **United States Design Patent**  
**Pitot**

(10) **Patent No.:** **US D657,576 S**

(45) **Date of Patent:** **\*\* Apr. 17, 2012**

(54) **SWIVEL MIRROR WITH LIGHT**

(76) Inventor: **Bruce Pitot**, Mahwah, NJ (US)

(\*\*) Term: **14 Years**

(21) Appl. No.: **29/391,722**

(22) Filed: **May 12, 2011**

(51) **LOC (9) Cl.** ..... **06-07**

(52) **U.S. Cl.** ..... **D6/309**

(58) **Field of Classification Search** ..... D6/300-314,  
D6/444; 40/700, 711, 719, 714-716, 720-722,  
40/735, 738, 597, 744, 745, 754, 765, 768,  
40/769, 790, 798; D20/29-32; 248/466-467;  
D11/131, 133-135; 359/838, 871-872; D8/352  
See application file for complete search history.

(56) **References Cited**

U.S. PATENT DOCUMENTS

D208,234 S *	8/1967	Ely	.....	D6/308
D309,833 S *	8/1990	Wahl	.....	D6/300
D379,125 S *	5/1997	Simjian	.....	D6/309
D431,375 S *	10/2000	Zadro	.....	D6/312
D509,369 S *	9/2005	Snell	.....	D6/310
D511,413 S *	11/2005	Yue	.....	D6/300

D574,159 S *	8/2008	Howard	.....	D6/310
D635,009 S *	3/2011	Paterson	.....	D8/352
D639,077 S *	6/2011	DeBretton Gordon	.....	D6/310

\* cited by examiner

*Primary Examiner* — Philip S Hyder

*Assistant Examiner* — Sydney Buffalow

(74) *Attorney, Agent, or Firm* — Pearne & Gordon LLP

(57) **CLAIM**

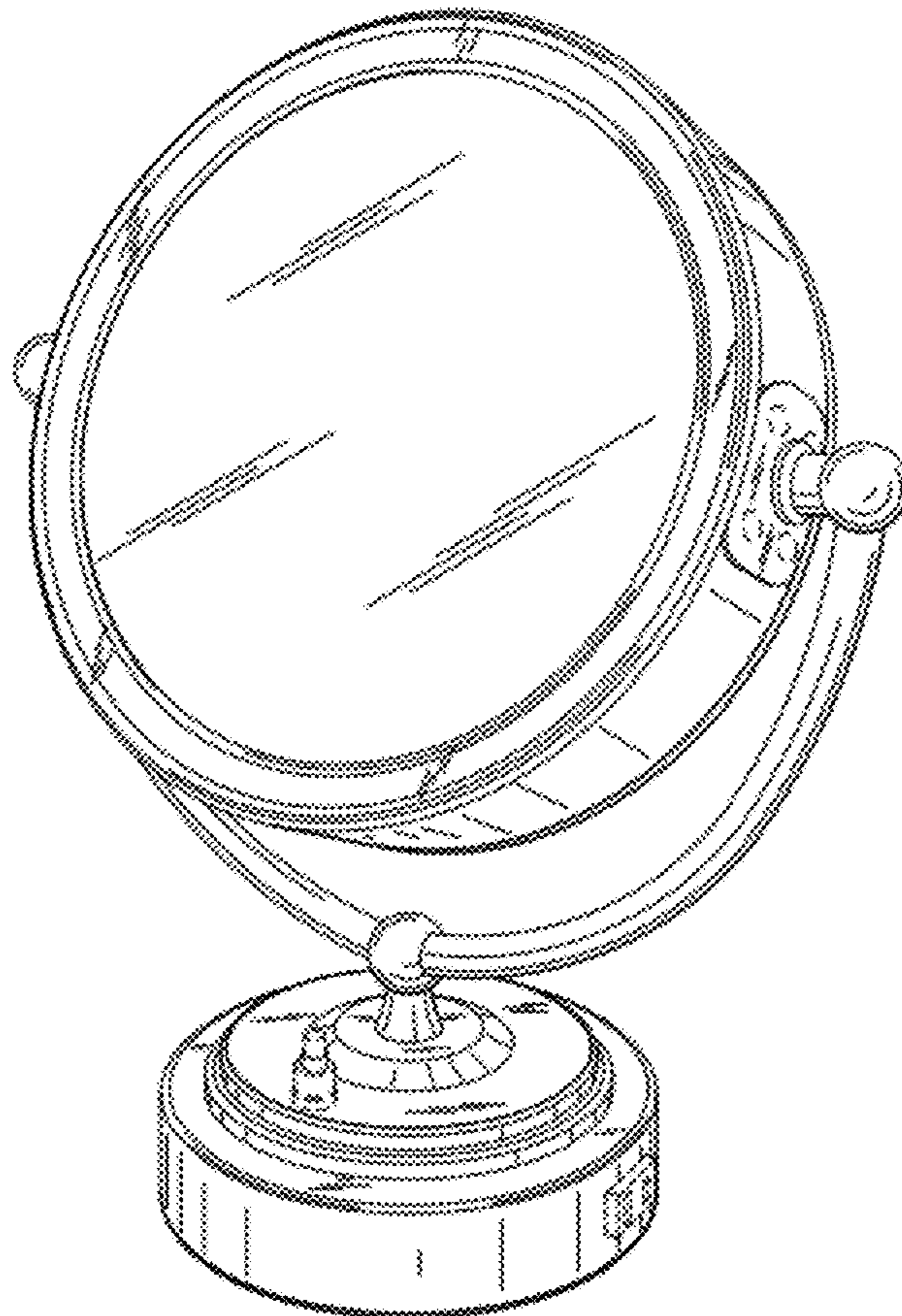
The ornamental design for a swivel mirror with light, as shown and described.

**DESCRIPTION**

FIG. 1 is a perspective view of the swivel mirror with light; FIG. 2 is a top plan view thereof; FIG. 3 is a front elevational view thereof; FIG. 4 is a right side elevational view thereof; FIG. 5 is a left side elevational view thereof; FIG. 6 is a rear elevational view thereof; and, FIG. 7 is a bottom plan view thereof.

The broken lines shown in the drawings are directed to unclaimed features of design that form no part of the claimed design.

**1 Claim, 3 Drawing Sheets**



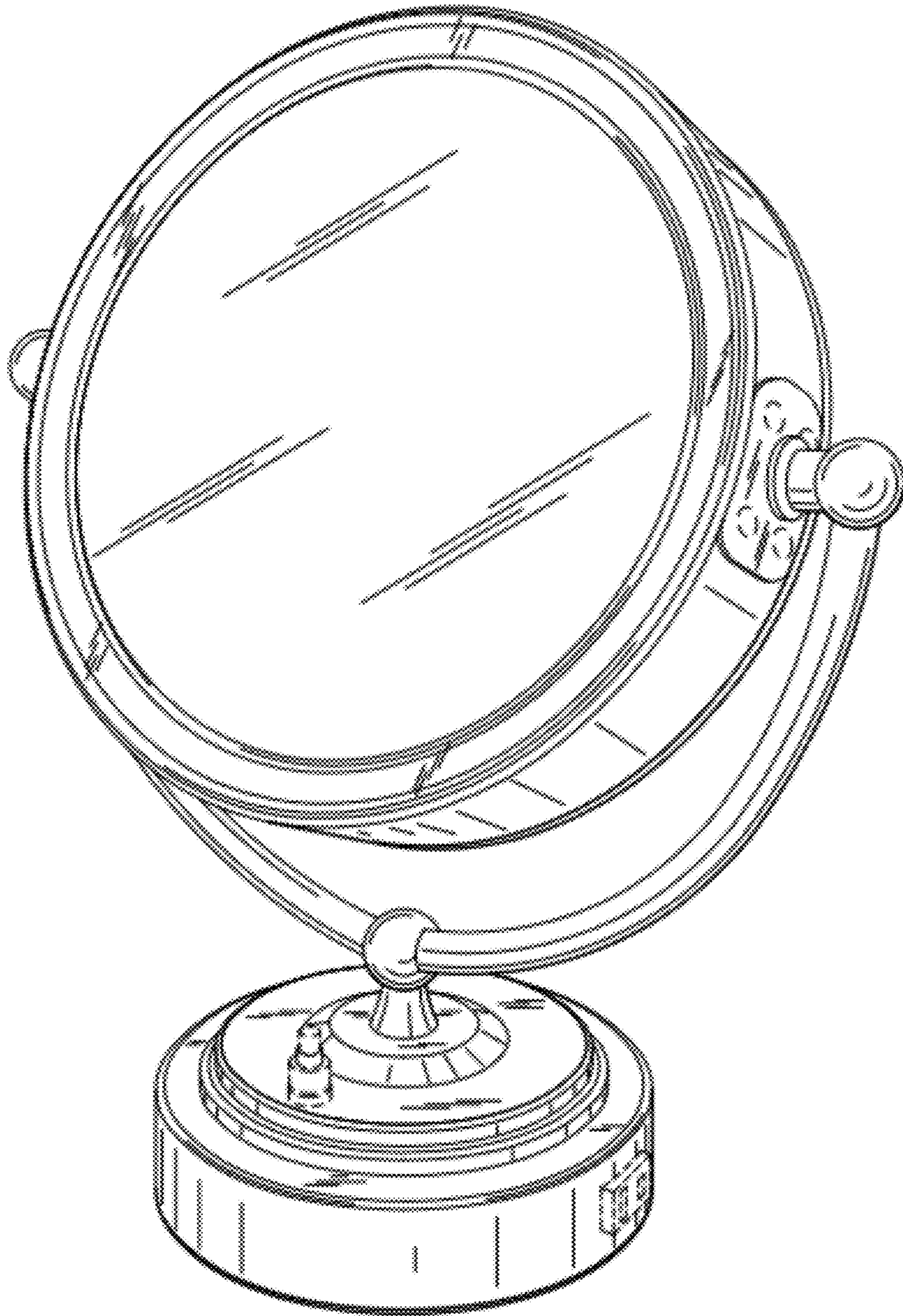


FIG. 1

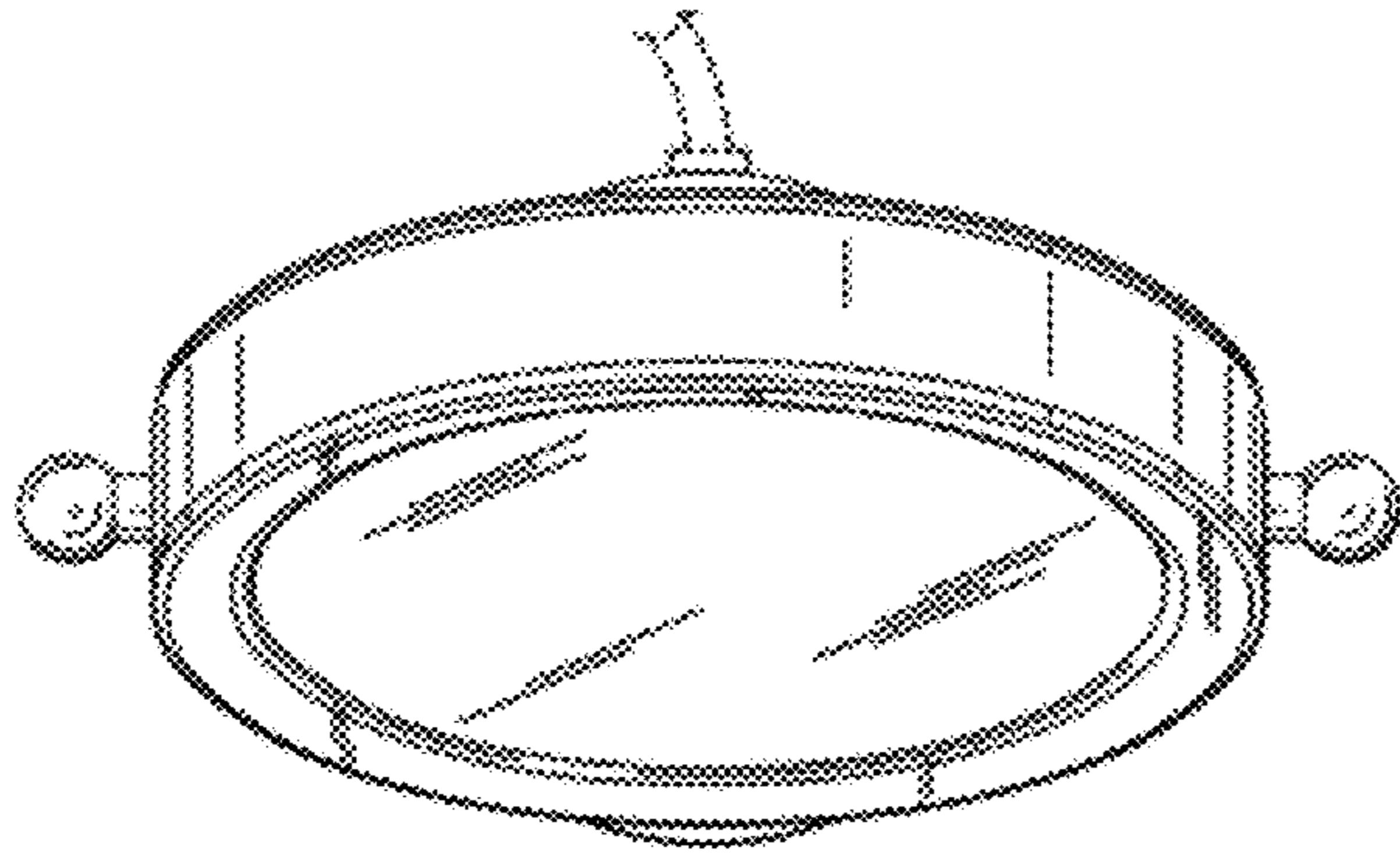


FIG. 2

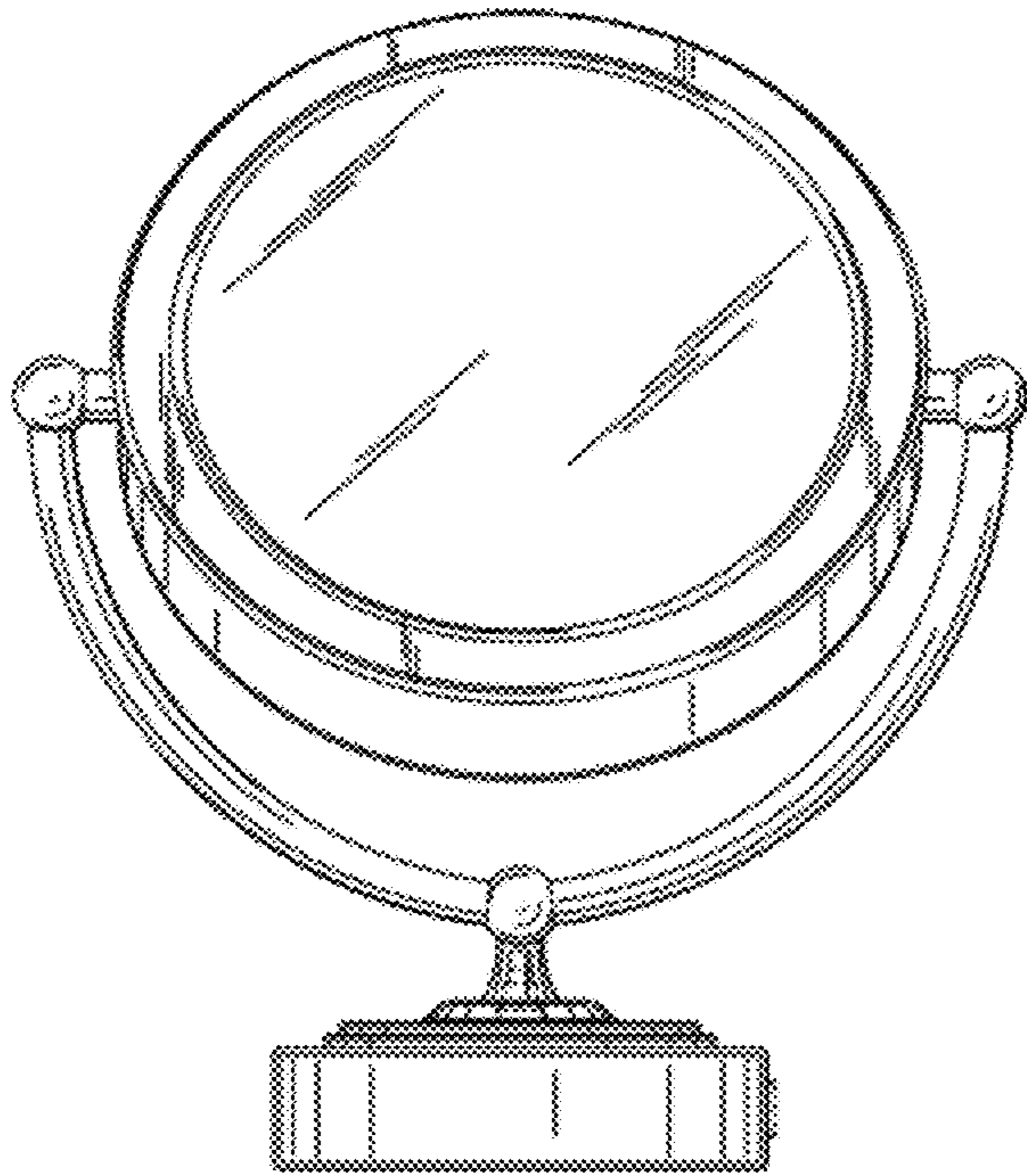


FIG. 3

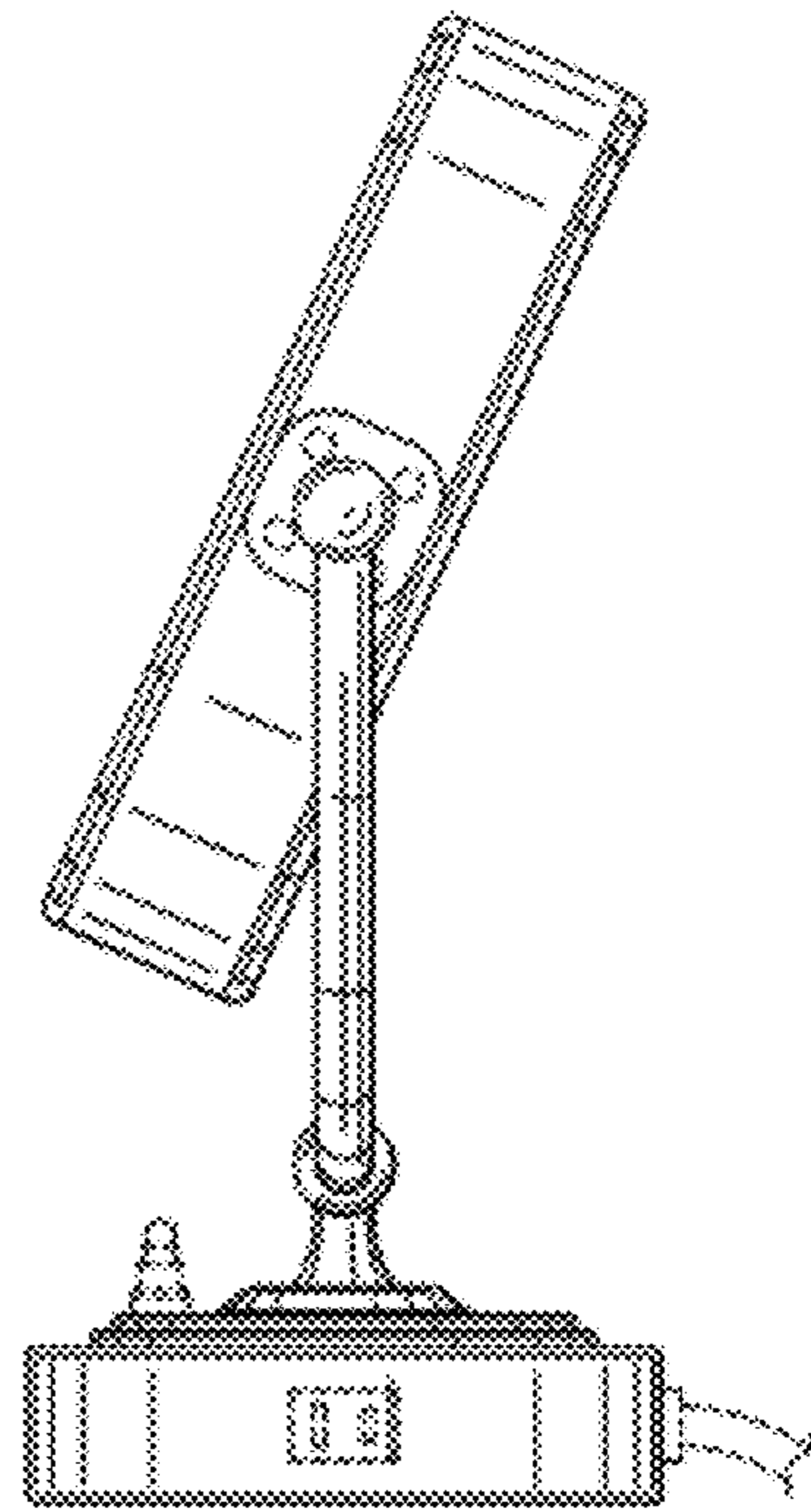


FIG. 4

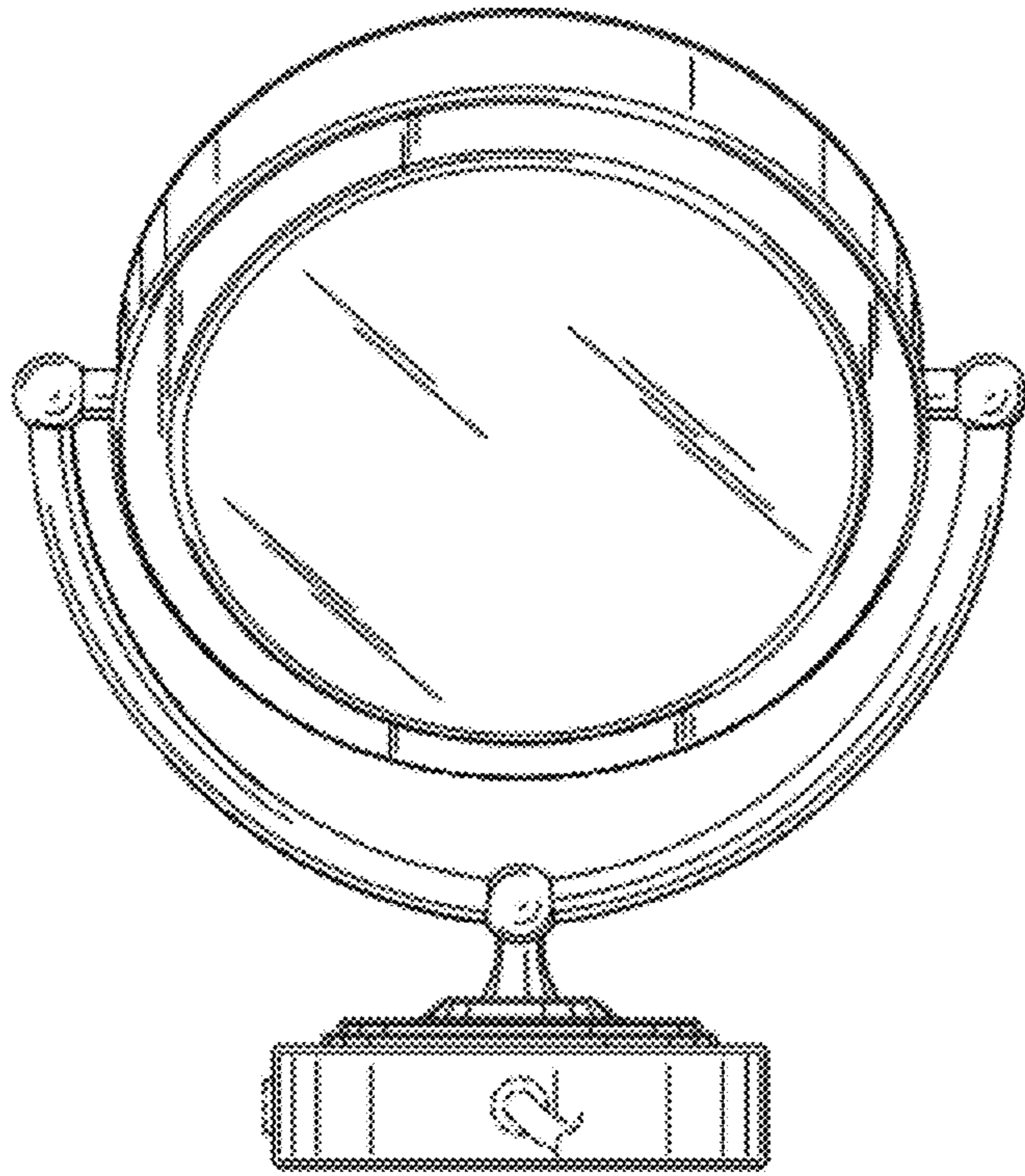


FIG. 6

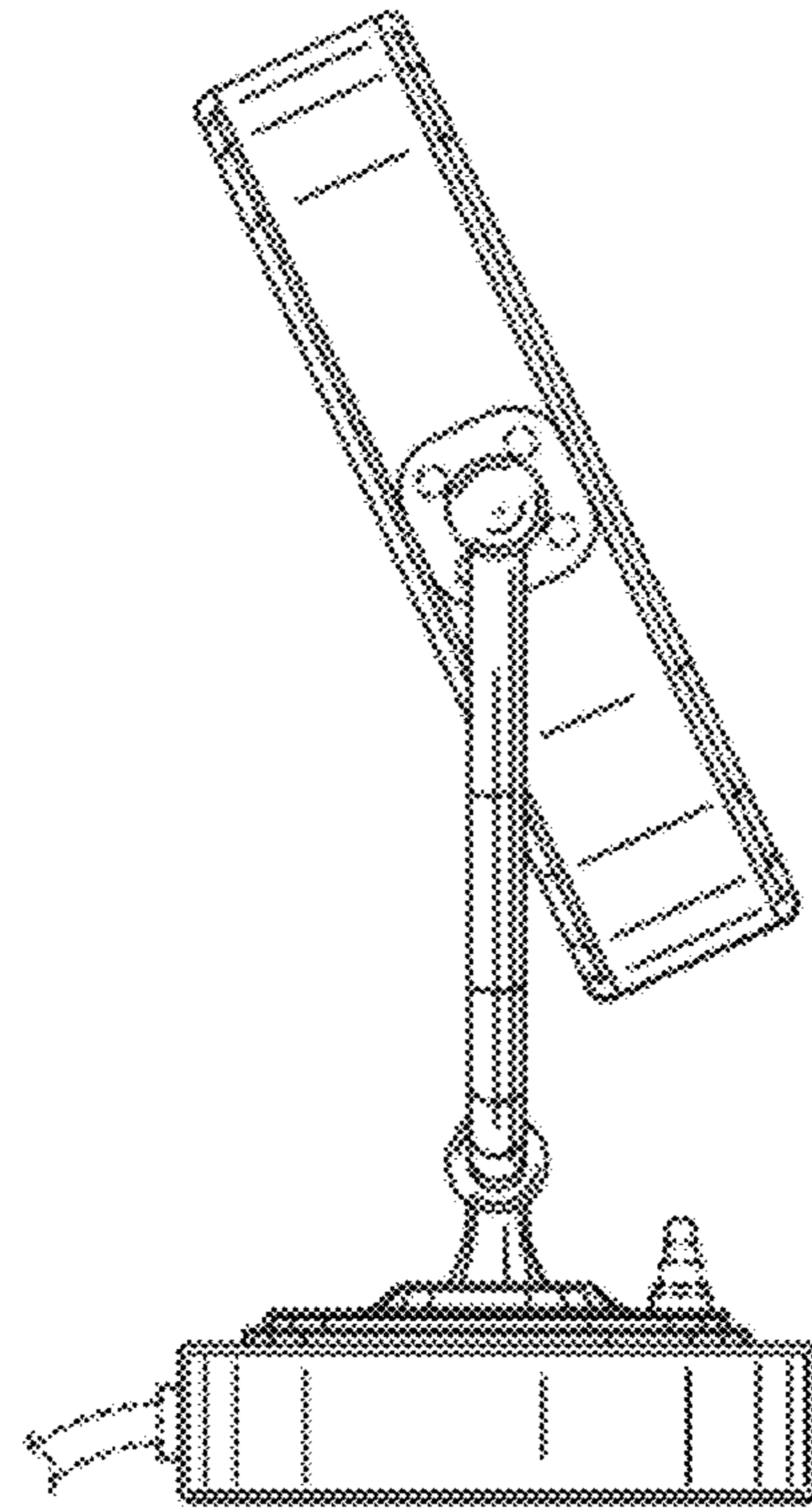


FIG. 5

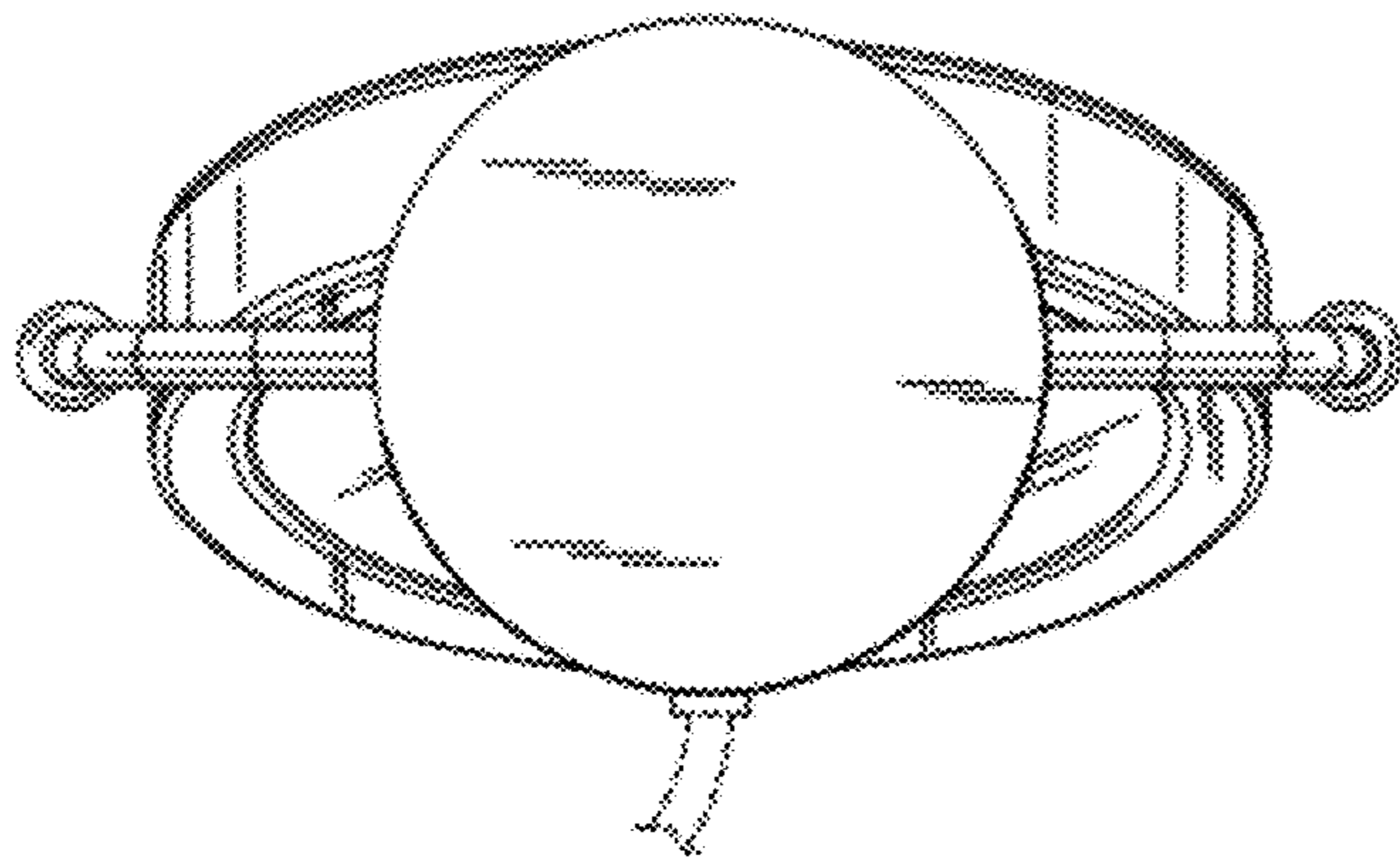


FIG. 7