



US00D657563S

(12) **United States Design Patent**  
**Hardy et al.**

(10) **Patent No.:** **US D657,563 S**  
(45) **Date of Patent:** **\*\* \*Apr. 17, 2012**

(54) **MESH BASKET**

(75) Inventors: **Christopher Hardy**, Springfield, IL (US); **R. Neal Post**, Springfield, IL (US)

(73) Assignee: **Design Ideas, Ltd.**, Springfield, IL (US)

(\*) Notice: This patent is subject to a terminal disclaimer.

(\*\*) Term: **14 Years**

(21) Appl. No.: **29/392,514**

(22) Filed: **May 23, 2011**

**Related U.S. Application Data**

(60) Continuation of application No. 29/382,706, filed on Jan. 6, 2011, now Pat. No. Des. 639,561, which is a continuation of application No. 29/327,999, filed on Nov. 17, 2008, now Pat. No. Des. 632,080, which is a continuation of application No. 29/267,535, filed on Oct. 17, 2006, now Pat. No. Des. 582,161, which is a continuation of application No. 29/238,448, filed on Sep. 15, 2005, now abandoned, which is a continuation of application No. 29/226,571, filed on Mar. 30, 2005, now abandoned, which is a continuation of application No. 29/209,367, filed on Jul. 15, 2004, now Pat. No. Des. 513,874, which is a division of application No. 29/148,906, filed on Sep. 28, 2001, now abandoned.

(51) **LOC (9) Cl.** ..... **03-01**

(52) **U.S. Cl.** ..... **D3/306**

(58) **Field of Classification Search** ..... D3/20, D3/201-202, 203.1, 203.3, 205-206, 273, D3/276, 304-315; D6/475-476, 525; D19/75, D19/77, 86, 90, 92, 100; 206/203, 214, 215, 206/822, 307.1; 229/100, 915, 406; D12/425  
See application file for complete search history.

(56) **References Cited**

U.S. PATENT DOCUMENTS

71,881 A 12/1867 Howe et al.  
171,032 A 12/1875 Meyers  
201,959 A 4/1878 Stockwell et al.  
297,382 A 4/1885 Golding  
463,964 A 11/1891 Gates  
887,097 A 5/1908 Kimber

(Continued)

FOREIGN PATENT DOCUMENTS

FR 826876 4/1938

(Continued)

OTHER PUBLICATIONS

U.S. Appl. No. 29/327,206, filed Oct. 31, 2008, entitled "Mesh Basket", as amended Apr. 4, 2011.

(Continued)

*Primary Examiner* — T. Chase Nelson

*Assistant Examiner* — Eric Goodman

(74) *Attorney, Agent, or Firm* — Saidman DesignLaw Group

(57) **CLAIM**

The ornamental design for a mesh basket, as shown and described.

**DESCRIPTION**

FIG. 1 is a perspective view of a mesh basket showing our new design;

FIG. 2 is a front view thereof, the rear view being identical thereto;

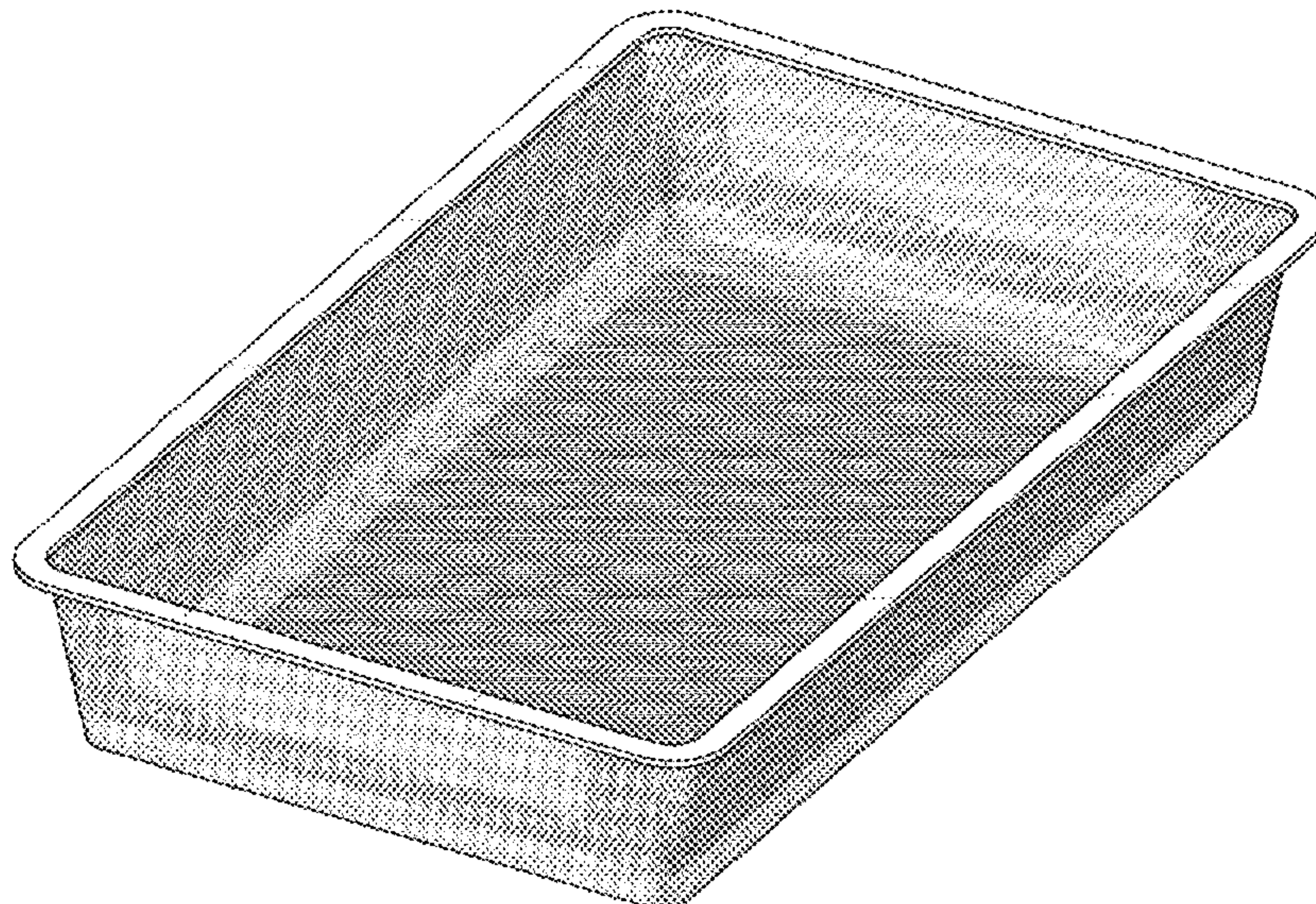
FIG. 3 is a left side view thereof, the right side view being identical thereto;

FIG. 4 is a top view thereof; and,

FIG. 5 is a bottom view thereof.

The broken lines illustrate portions of the mesh basket and form no part of the claimed design.

**1 Claim, 4 Drawing Sheets**





# US D657,563 S

Page 2

## U.S. PATENT DOCUMENTS

920,313 A 5/1909 Franklin  
1,098,053 A 5/1914 Porter  
1,382,592 A 6/1921 Ames  
1,384,755 A 7/1921 Hall  
1,408,026 A 2/1922 Ochiltree  
1,445,259 A 2/1923 Wiselogel  
1,463,098 A 7/1923 Snyder  
RE16,431 E 9/1926 Kratzer  
1,660,410 A 2/1928 Beckman  
1,890,983 A 12/1932 Griffith  
2,408,082 A 9/1946 Mack  
2,443,319 A 6/1948 Mack  
D152,140 S 12/1948 Crawford et al.  
D152,141 S 12/1948 Crawford et al.  
2,502,781 A 4/1950 Erickson  
D182,349 S 3/1958 Alvord  
D189,544 S 1/1961 Harris  
D189,550 S 1/1961 Alvord  
D194,513 S 2/1963 Sparling  
3,120,323 A 2/1964 Sparling  
D204,314 S 4/1966 Bright  
3,935,958 A 2/1976 Frangos  
D251,480 S 4/1979 Cherry  
4,205,406 A 6/1980 Wangkeo et al.  
4,339,048 A 7/1982 McMillen et al.  
D267,395 S 12/1982 Groenewold et al.  
D276,401 S 11/1984 Daenen et al.  
2,768,022 A 10/1986 Pope  
D326,552 S 5/1992 Goodell  
D328,993 S 9/1992 Rosenthal  
5,279,443 A 1/1994 Koda et al.  
D360,531 S 7/1995 Griffith  
D360,898 S 8/1995 Huerto et al.  
D372,583 S 8/1996 Brightbill  
D373,039 S 8/1996 Cohen et al.  
D383,283 S 9/1997 Hankins, III  
D387,981 S 12/1997 Mosior et al.  
5,810,179 A 9/1998 Kleiman  
D405,268 S 2/1999 Apenes  
D407,558 S 4/1999 Huguet et al.  
D416,165 S 11/1999 Zemel  
D419,302 S 1/2000 Hardy et al.  
D426,956 S 6/2000 Lacy et al.  
D431,907 S 10/2000 Andujar et al.  
D433,709 S 11/2000 Hardy  
D433,711 S 11/2000 Andujar  
D434,074 S 11/2000 Hardy

D444,927 S 7/2001 Lin  
D449,074 S 10/2001 Andujar  
D450,481 S 11/2001 Post  
D451,675 S 12/2001 Hardy et al.  
D455,029 S 4/2002 Gusdorf  
D458,429 S 6/2002 Lenard  
6,461,501 B1 10/2002 Porter  
D471,713 S 3/2003 Speed  
D474,603 S 5/2003 Berenguer  
D475,854 S 6/2003 Caponey  
D476,155 S 6/2003 Post et al.  
D498,375 S 11/2004 Post et al.  
D504,017 S 4/2005 Zimmerman  
D513,874 S 1/2006 Hardy et al.  
6,988,654 B2 1/2006 Wnek  
D528,300 S 9/2006 Hardy et al.  
D582,161 S 12/2008 Hardy et al.  
D632,080 S \* 2/2011 Hardy et al. .... D3/306  
D634,122 S \* 3/2011 Goodman et al. .... D3/306  
D636,998 S \* 5/2011 Post et al. .... D3/306  
D639,561 S \* 6/2011 Hardy et al. .... D3/306

## FOREIGN PATENT DOCUMENTS

GB 228338 2/1925  
GB 730785 6/1955

## OTHER PUBLICATIONS

Design Ideas catalog 1995, cover page and p. 24.  
Miller's Office Products catalog 1995, p. 442, Wire Mesh Desk Accessories (item c).  
Miller's Office Products catalog 1997, p. 453, Mesh Desk Accessories.  
Miller's Office Products catalog 1998, p. 475, Wire Mesh Desk Accessories.  
Design Ideas catalog 1998, cover page and pp. 61, 66-67.  
Hong Kong Enterprise, Oct. 1999, p. 1126, mesh basket, #SM 500 in center of page.  
Hong Kong Enterprise, Oct. 1999, p. 98, mesh basket, #NH-11, bottom of page.  
Four digital photos of drawers of the elfa® closet system sold by The Container Store®. Offered for sale before Sep. 28, 2000.  
The Container Store, The Ultimate Planning Guide, revised 1999, pp. cover, 16 and 19 (X Narrow 3-Runner Drawer).  
The Container Store, The Ultimate Planning Guide, revised Nov. 2001, pp. cover, 20, 21, 34 and back (X Narrow 3 Runner Drawer).

\* cited by examiner



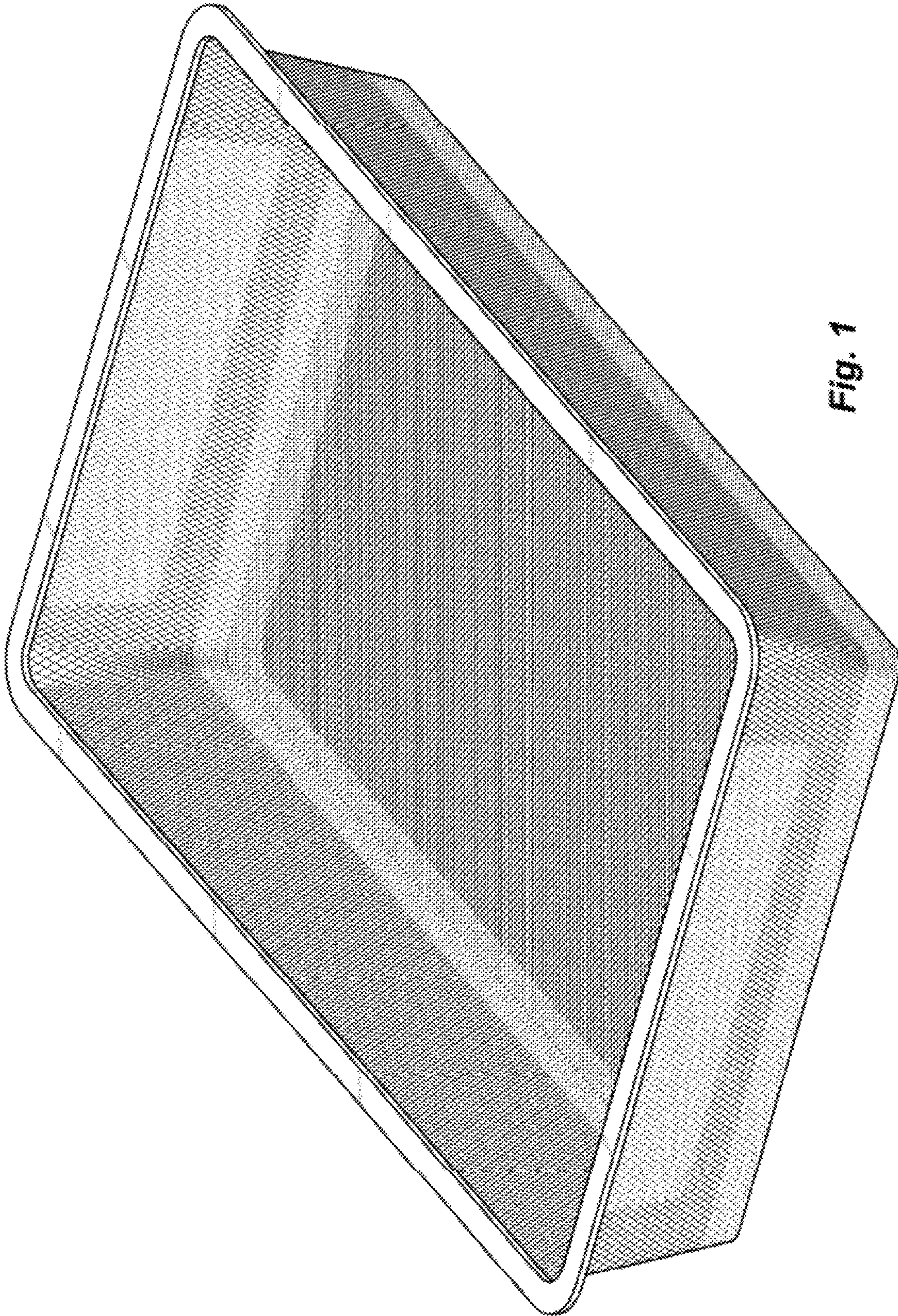
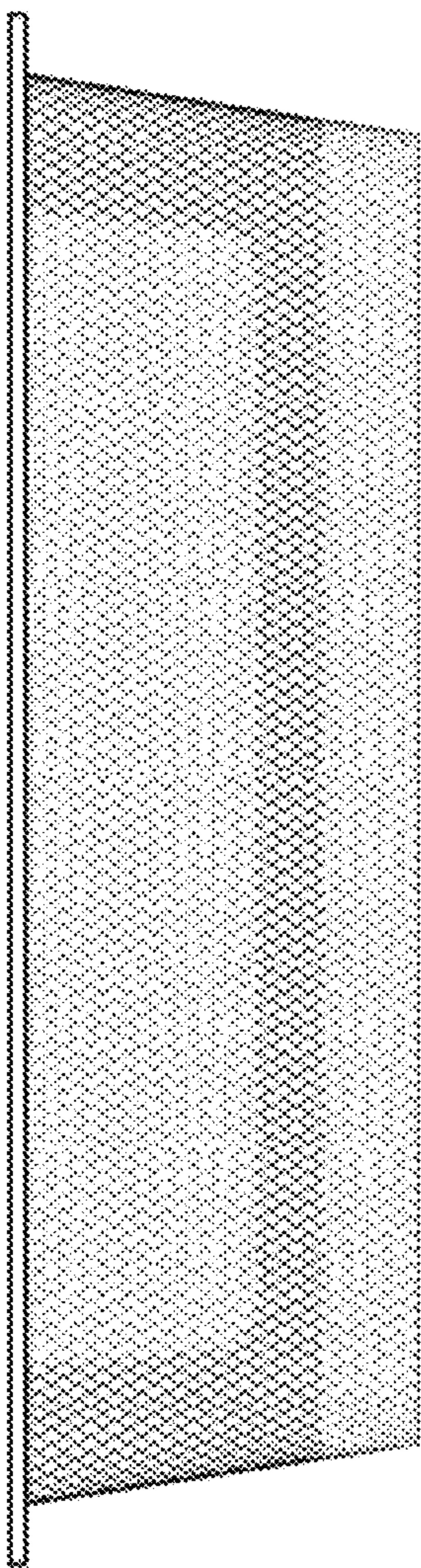
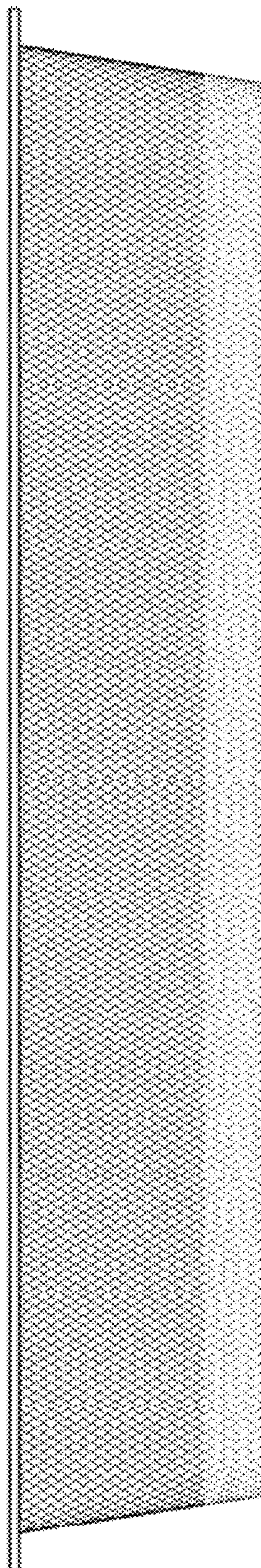


FIG. 1



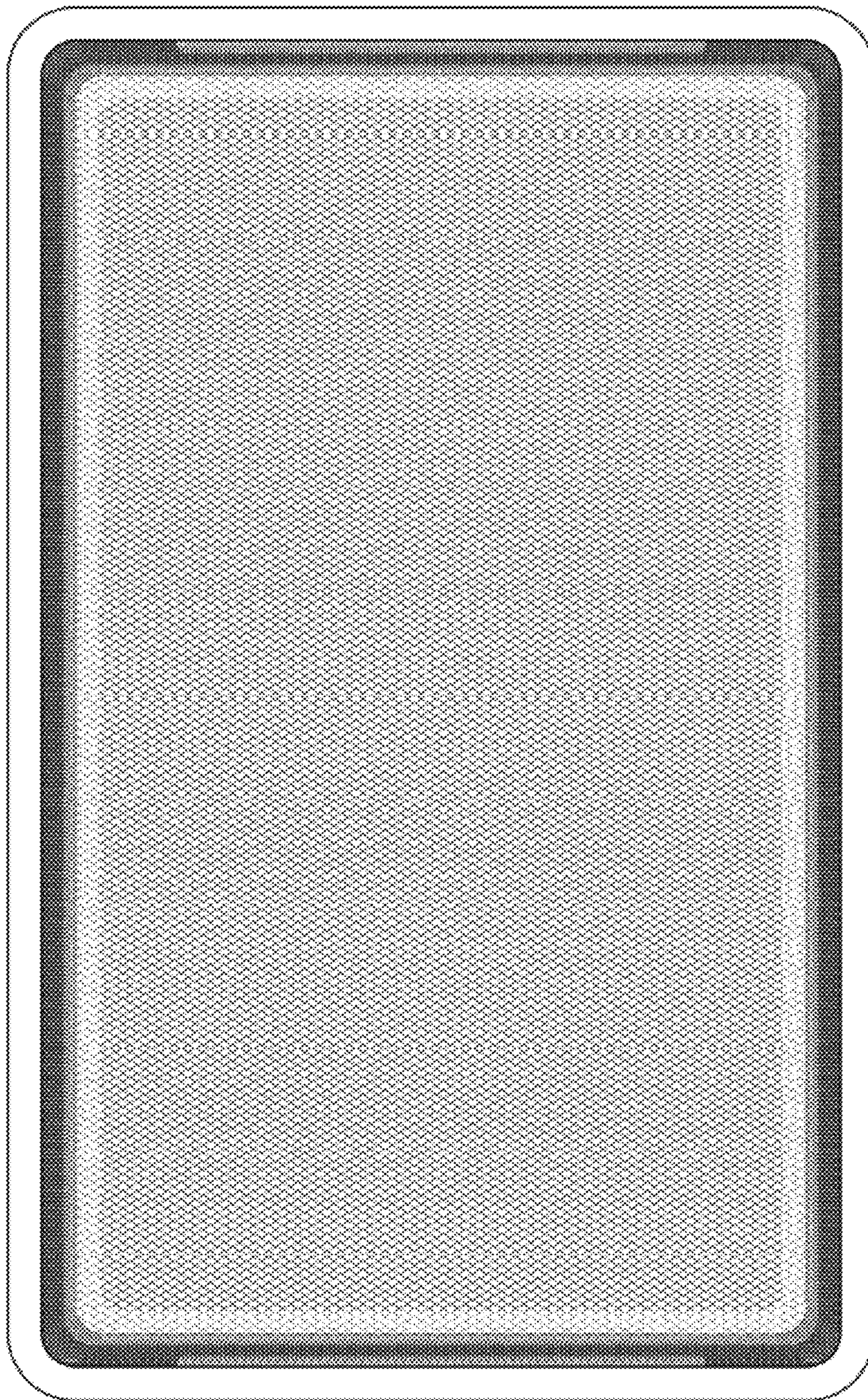


**Fig. 2**



**Fig. 3**





**Fig. 4**



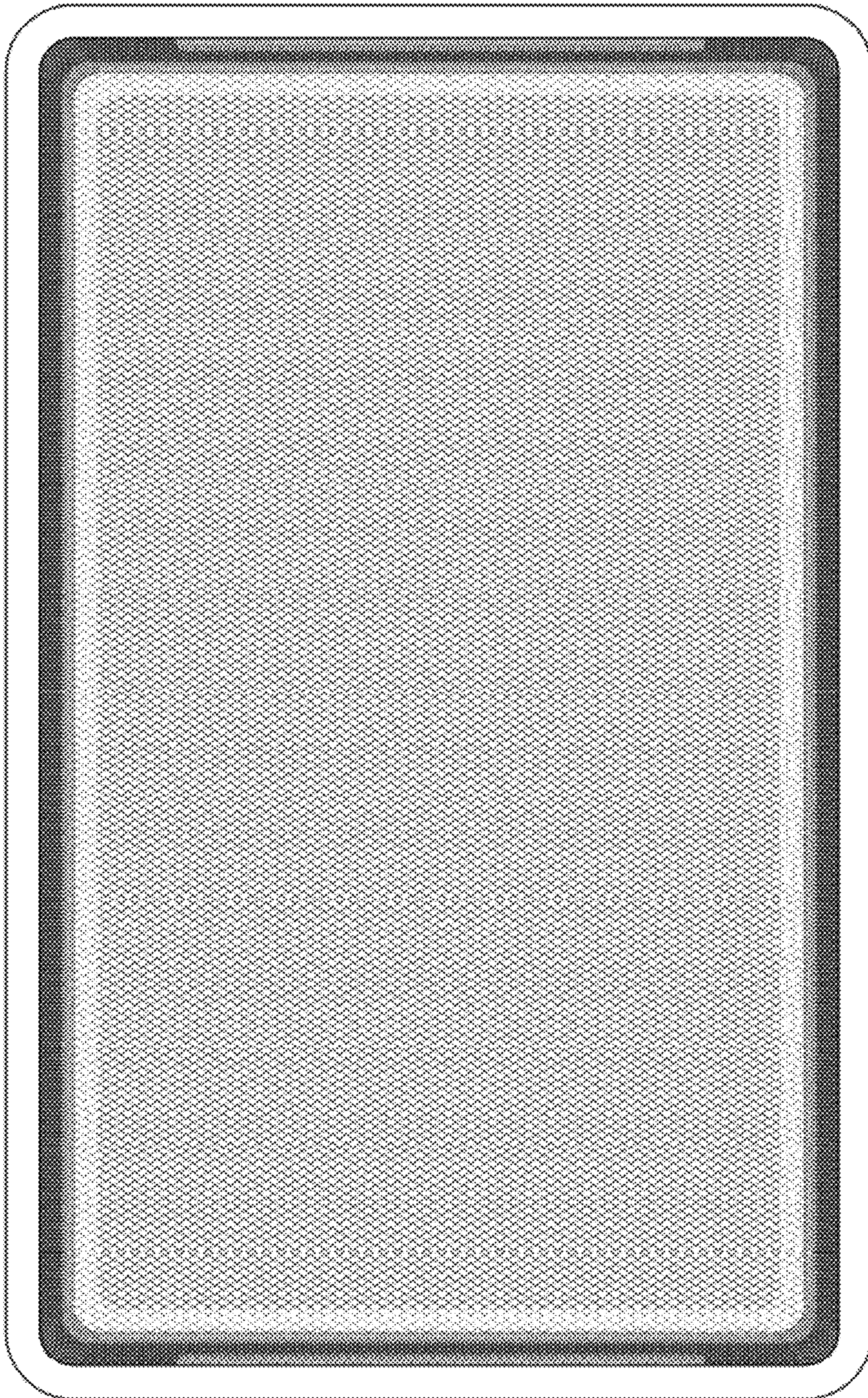


Fig. 5