



US00D657561S

(12) **United States Design Patent**
Roesler

(10) **Patent No.:** **US D657,561 S**
(45) **Date of Patent:** **** Apr. 17, 2012**

(54) **COMPARTMENTALIZED STORAGE BOX**

(76) Inventor: **Peter Roesler**, Wangen/Allgau (DE)

(**) Term: **14 Years**

(21) Appl. No.: **29/384,822**

(22) Filed: **Feb. 4, 2011**

Related U.S. Application Data

(63) Continuation-in-part of application No. 29/324,287, filed on Sep. 10, 2008, now abandoned.

(30) **Foreign Application Priority Data**

Mar. 17, 2008 (EM) 000899299

(51) **LOC (9) Cl.** **03-01**

(52) **U.S. Cl.** **D3/298**

(58) **Field of Classification Search** D3/20,
D3/203.3, 206, 273, 276, 282, 284, 293-298,
D3/302, 315, 901, 903, 905; D6/629-632;
D9/418, 422-423, 432; 206/6.1, 214, 575,
206/579

See application file for complete search history.

(56) **References Cited**

U.S. PATENT DOCUMENTS

D39,729 S * 12/1908 Smead D3/206
(Continued)

Primary Examiner — Philip S Hyder

Assistant Examiner — Roselyne Ulm Cody

(74) *Attorney, Agent, or Firm* — Cohen & Grigsby, P.C.

(57) **CLAIM**

The ornamental design for a compartmentalized storage box, as shown and described.

DESCRIPTION

FIG. 1 is a front perspective view of the compartmentalized storage box according to the present invention with the cover in a closed position.

FIG. 2 is a rear perspective view of the compartmentalized storage box shown in FIG. 1 with the cover in a closed position.

FIG. 3 is a left side elevation view of the compartmentalized storage box shown in FIG. 1 with the cover in a closed position.

FIG. 4 is a top plan view of the compartmentalized storage box shown in FIG. 1 with the cover in a closed position.

FIG. 5 is a bottom view of the compartmentalized storage box shown in FIG. 1 with the cover in a closed position.

FIG. 6 is a right side elevation view of the compartmentalized storage box shown in FIG. 1 with the cover in a closed position.

FIG. 7 is a rear elevation view of the compartmentalized storage box shown in FIG. 1 with the cover in a closed position.

FIG. 8 is a front elevation view of the compartmentalized storage box shown in FIG. 1 with the cover in a closed position.

FIG. 9 is a front perspective view of the compartmentalized storage box shown in FIG. 1 with the cover in an open position.

FIG. 10 is a rear perspective view of the compartmentalized storage box shown in FIG. 1 with the cover in an open position.

FIG. 11 is a left side elevation view of the compartmentalized storage box shown in FIG. 1 with the cover in an open position.

FIG. 12 is a top plan view of the compartmentalized storage box shown in FIG. 1 with the cover in an open position.

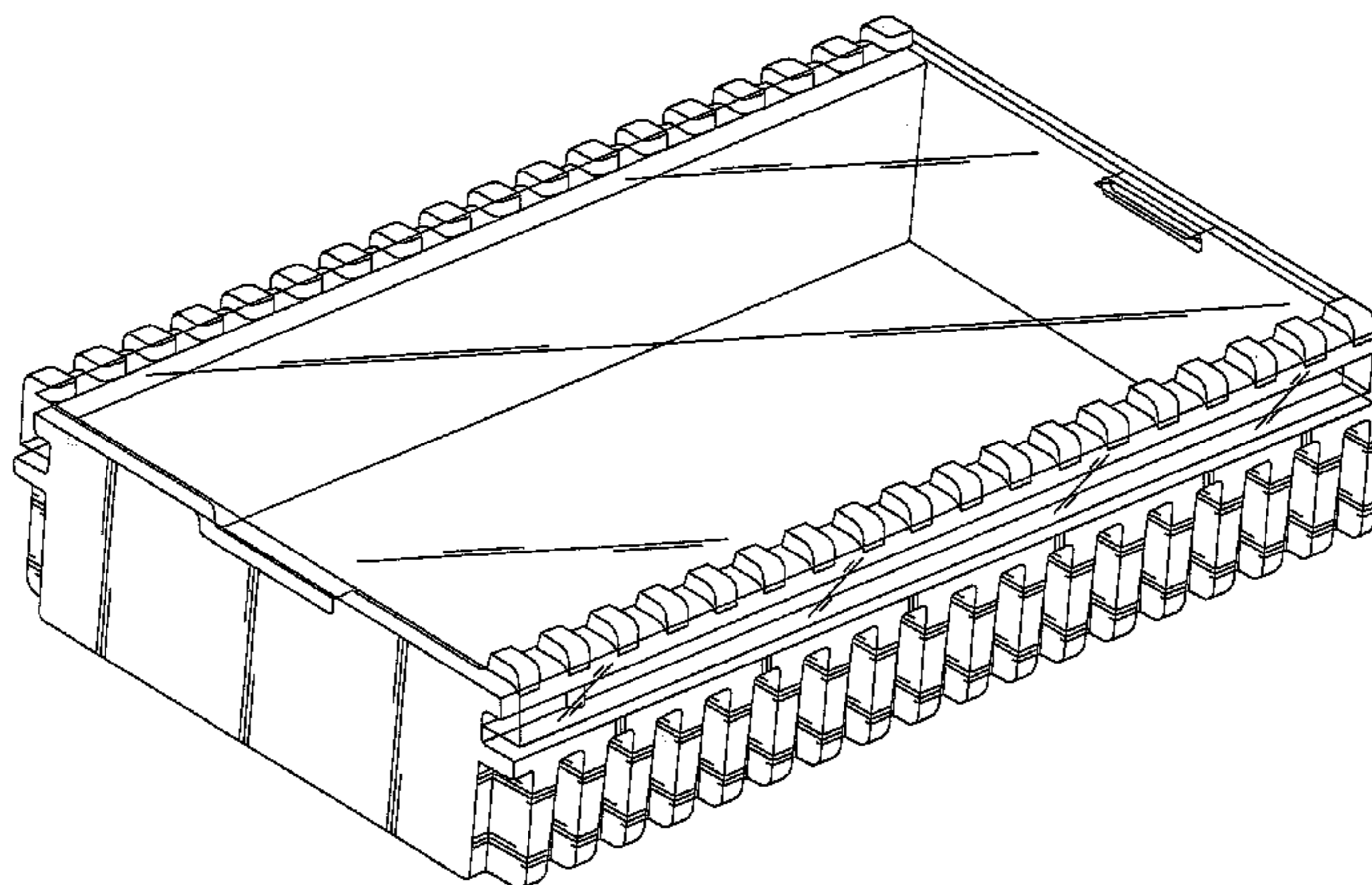
FIG. 13 is a bottom view of the compartmentalized storage box shown in FIG. 1 with the cover in an open position.

FIG. 14 is a right side elevation view of the compartmentalized storage box shown in FIG. 1 with the cover in an open position.

FIG. 15 is a rear elevation view of the compartmentalized storage box shown in FIG. 1 with the cover in an open position; and,

FIG. 16 is a front elevation view of the compartmentalized storage box shown in FIG. 1 with the cover in an open position.

1 Claim, 10 Drawing Sheets



US D657,561 S

Page 2

U.S. PATENT DOCUMENTS

3,531,012	A *	9/1970	Bergh et al.	220/345.4	D455,263	S *	4/2002	Schoen et al.	D3/282
D263,561	S *	3/1982	Wong	D3/295	D497,048	S *	10/2004	Pritchard et al.	D3/218
D276,964	S *	1/1985	Boland, II	D6/470	D539,644	S *	4/2007	Fuerst	D9/431
D281,145	S *	10/1985	Moe	D3/203.3	D579,201	S *	10/2008	Galli	D3/273
D287,426	S *	12/1986	Godfrey	D6/631	D579,204	S *	10/2008	Chen	D3/315
4,650,071	A *	3/1987	Grosshans	206/214	D585,296	S *	1/2009	Staunton	D9/600
4,947,989	A *	8/1990	Horton	206/387.1	D590,710	S *	4/2009	Mittelstaedt	D3/297
D361,715	S *	8/1995	Hauptert	D9/424	D597,383	S *	8/2009	Masterton et al.	D7/629
D370,781	S *	6/1996	Vasudeva	D3/284	D610,001	S *	2/2010	McAlpine	D3/297
D372,580	S *	8/1996	Chipman, Sr.	D3/262	D622,061	S *	8/2010	Higginson	D3/302
D400,709	S *	11/1998	Chang	D3/294	D636,599	S *	4/2011	Hsu	D3/297
D407,972	S *	4/1999	Hilton	D9/422	7,921,890	B2 *	4/2011	Ho	150/147
D422,787	S *	4/2000	Feng	D3/273	2006/0071002	A1 *	4/2006	Hurst	220/345.1
D441,192	S *	5/2001	Park	D3/294	2006/0201833	A1 *	9/2006	Chen	206/349
D443,762	S *	6/2001	Park	D3/295	2008/0041734	A1 *	2/2008	Bergelson	206/6.1
D446,651	S *	8/2001	Liao	D3/284					

* cited by examiner

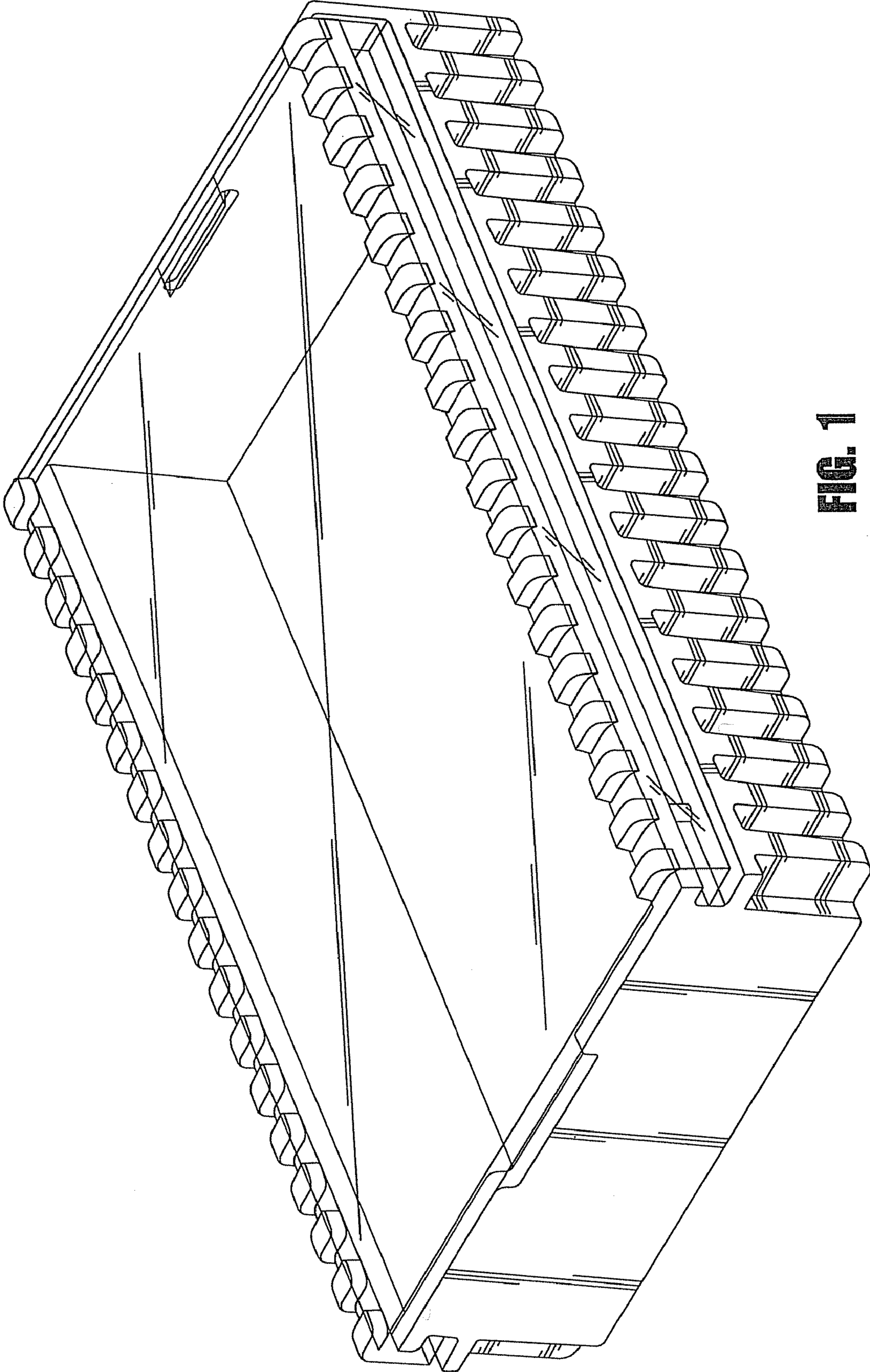


FIG. 1

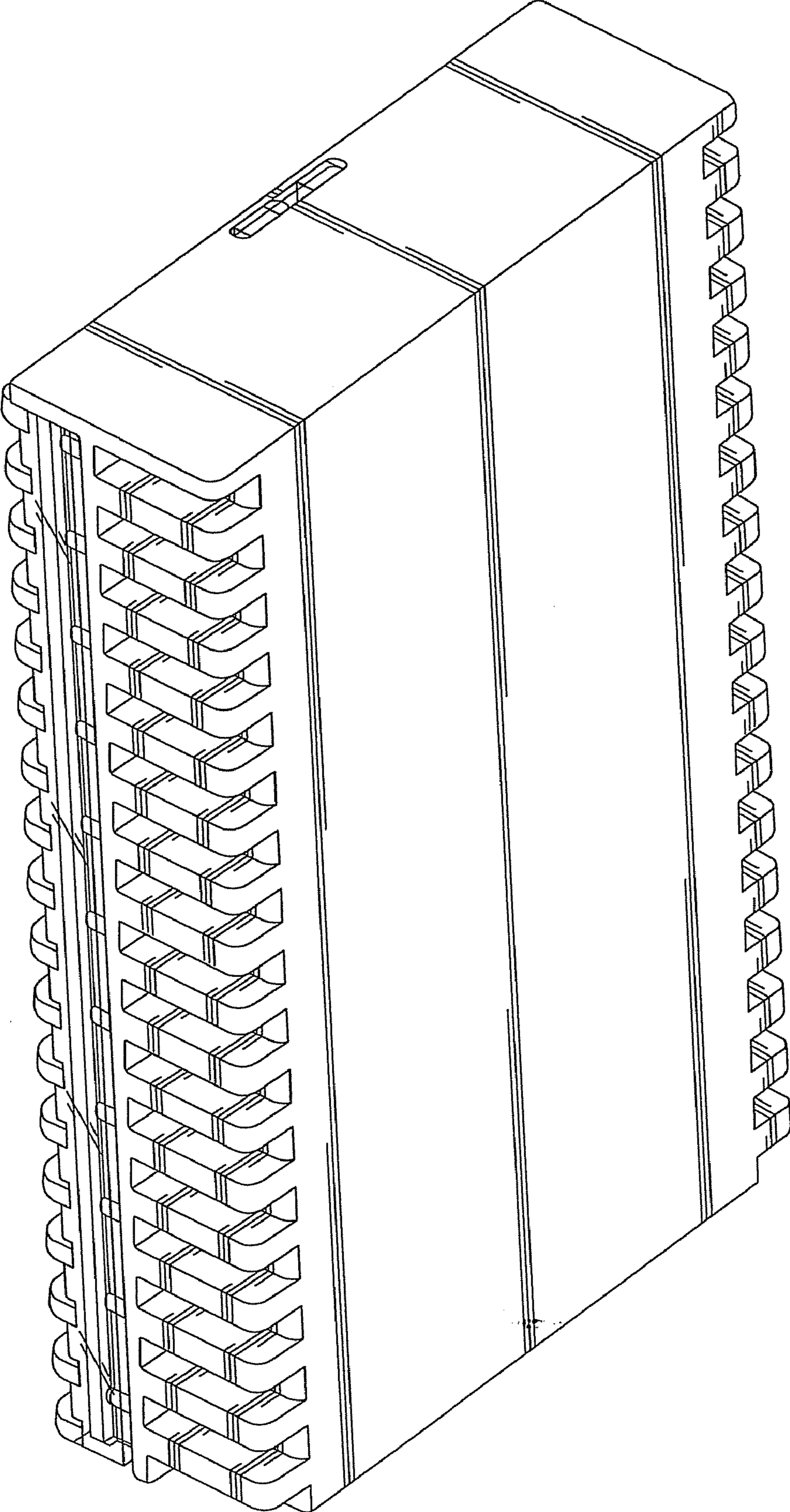


FIG. 2

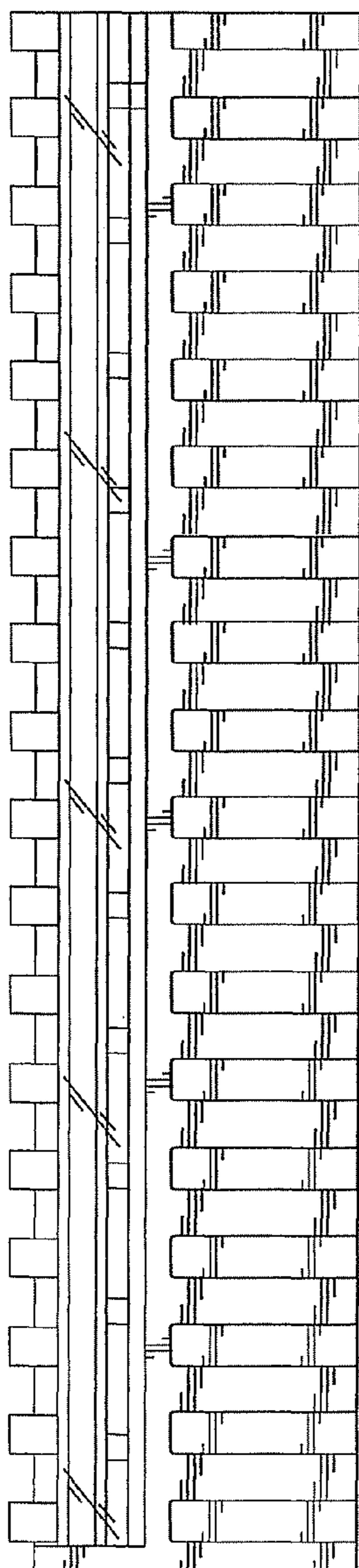


FIG. 3

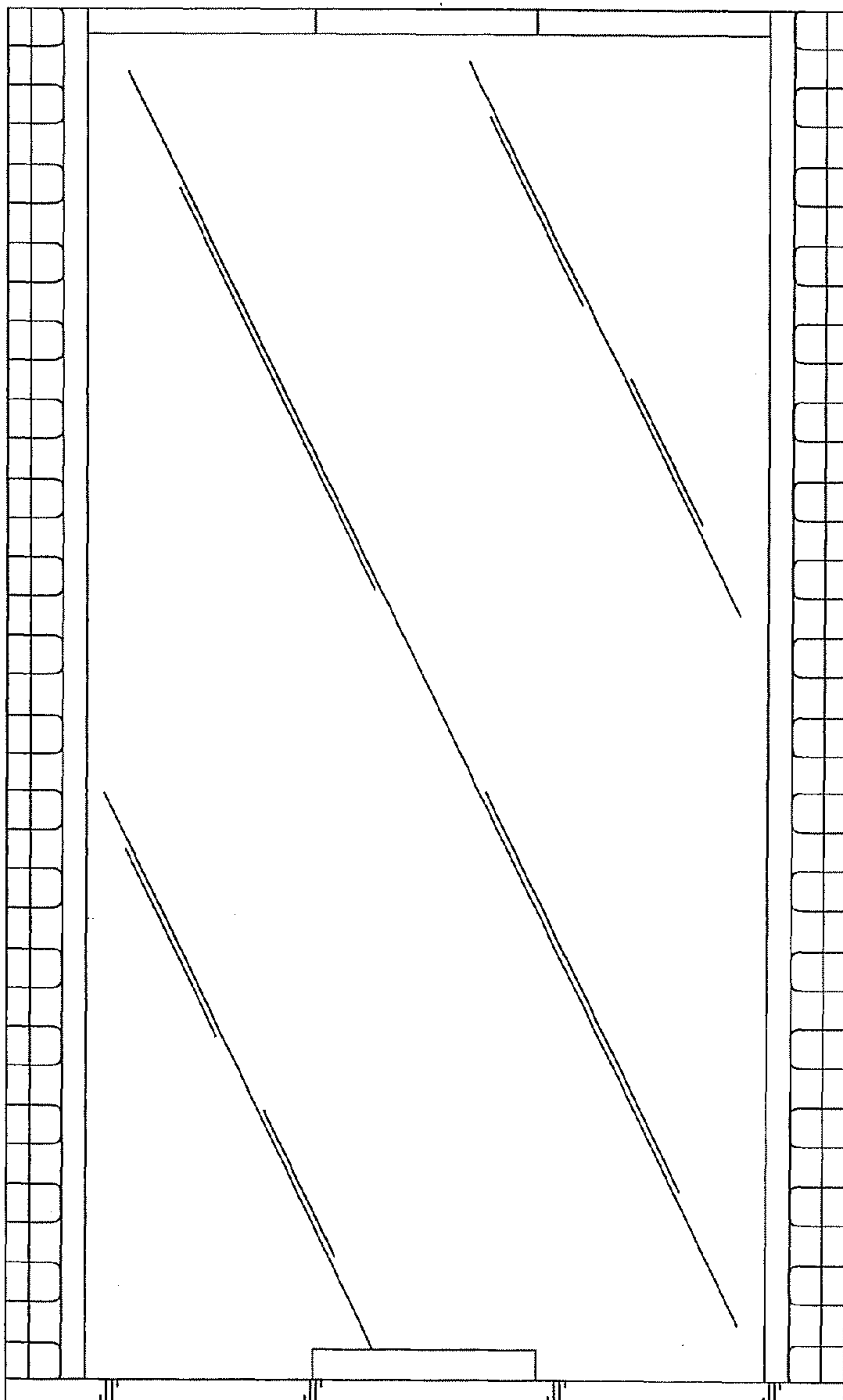


FIG. 4

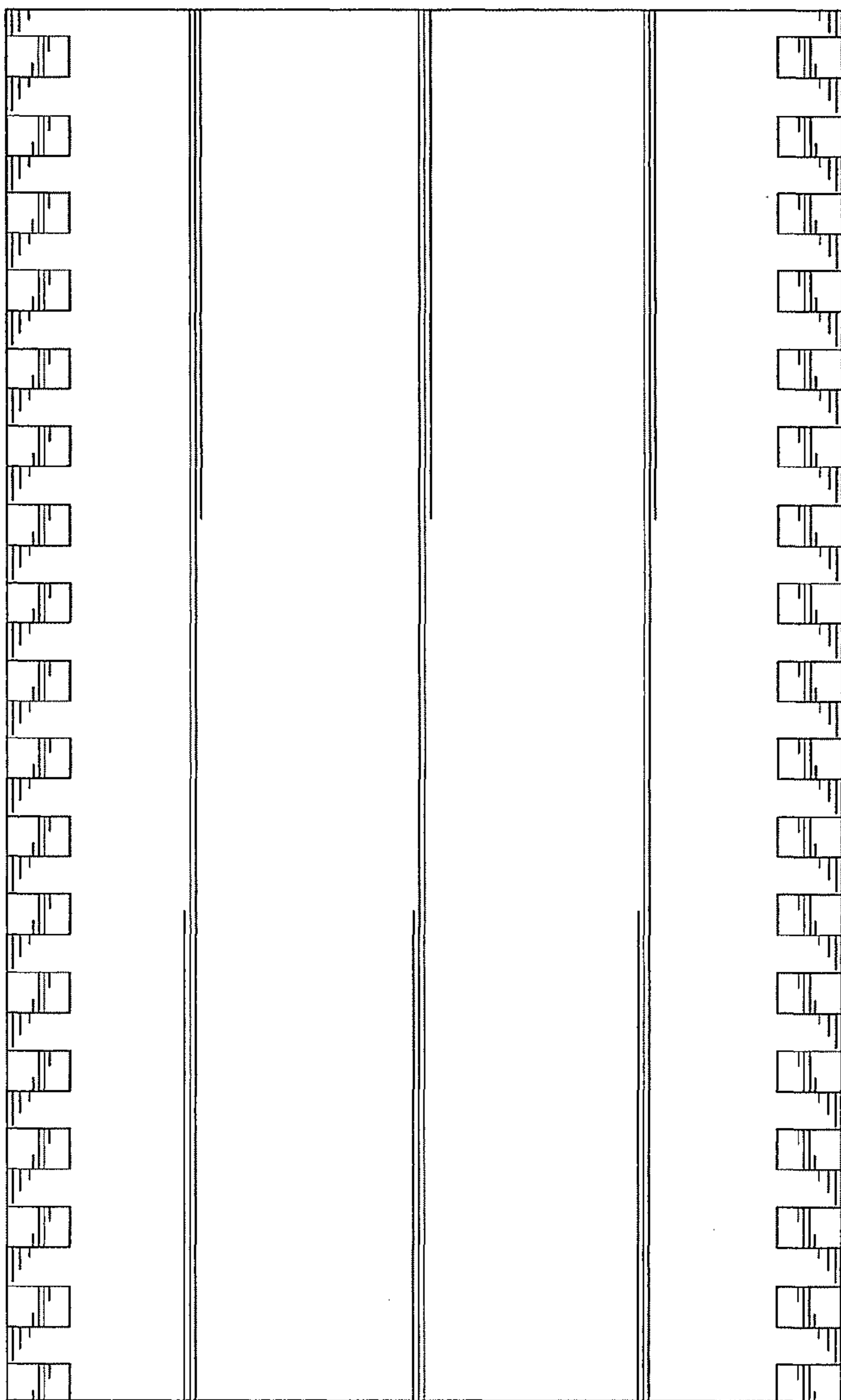


FIG. 5

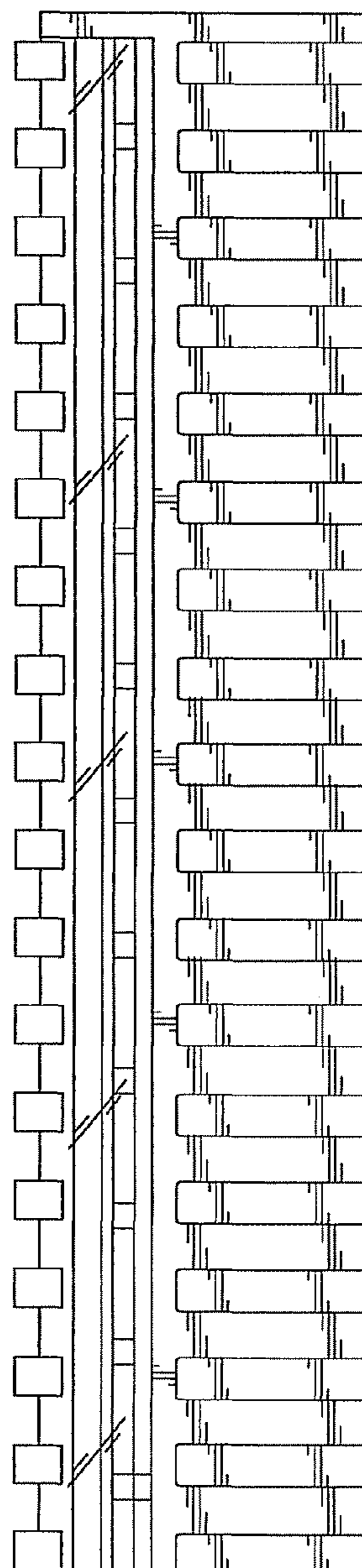


FIG. 6

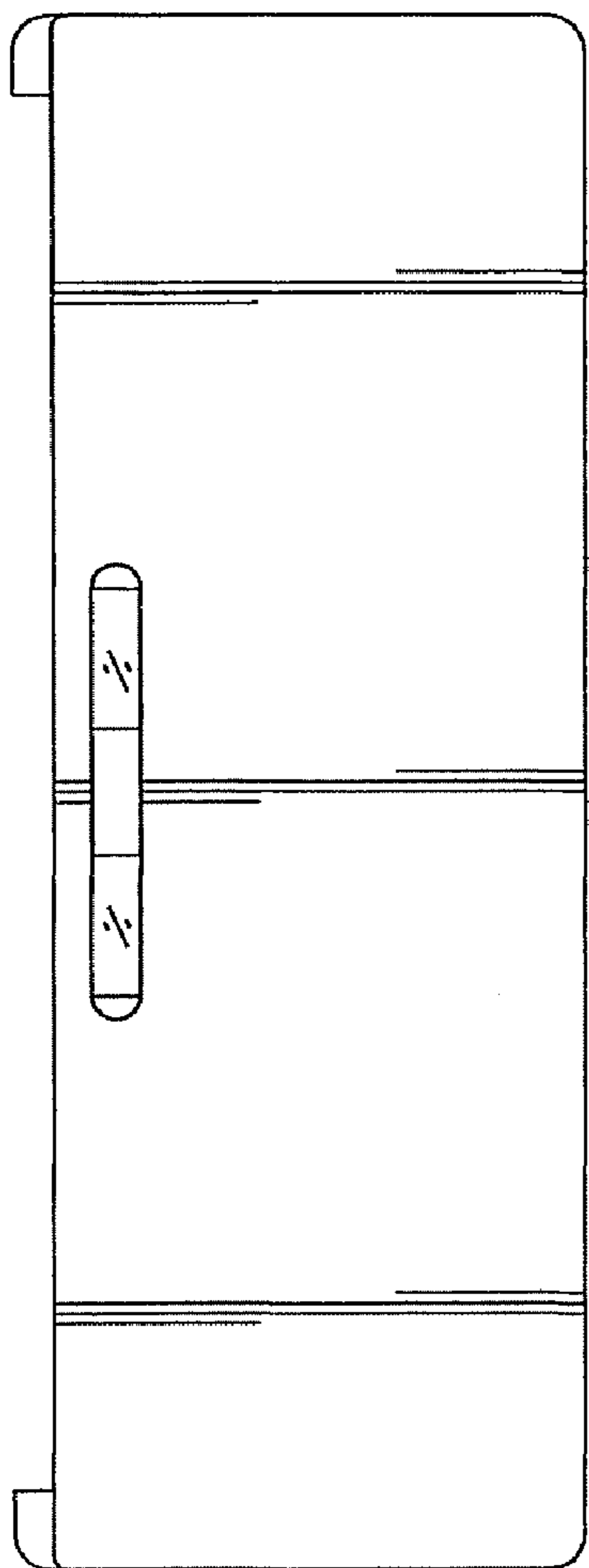


FIG. 7

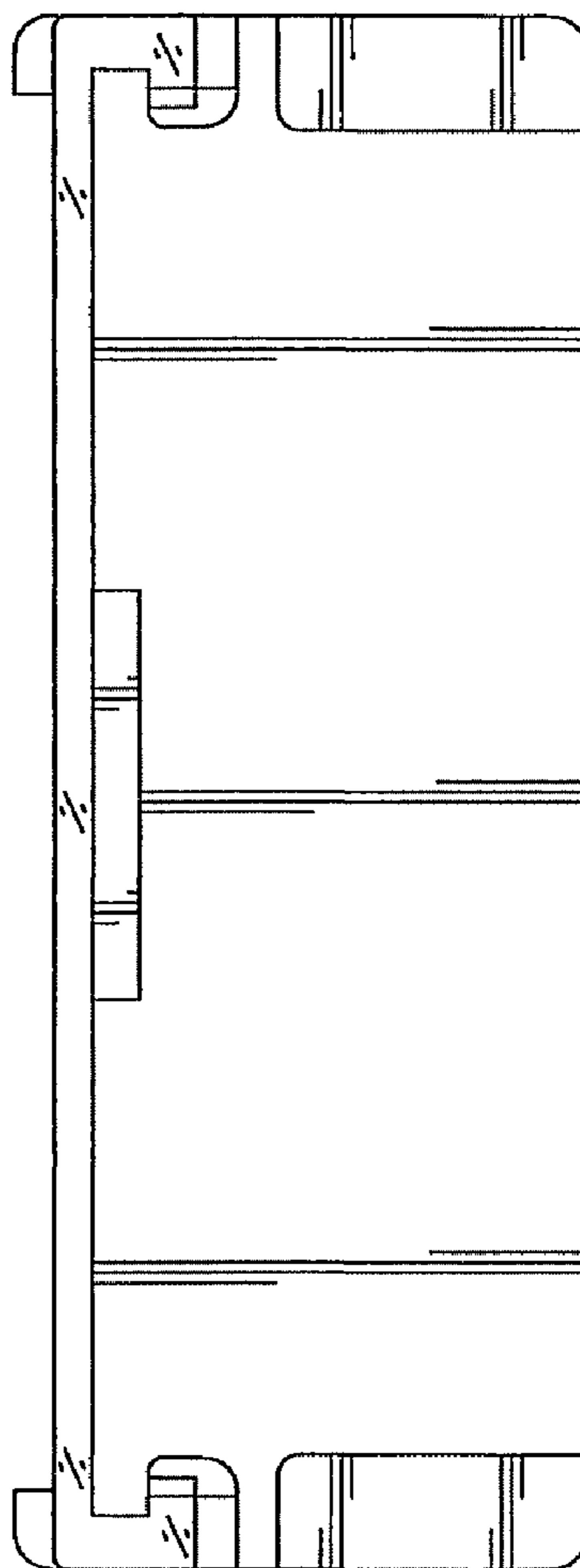


FIG. 8

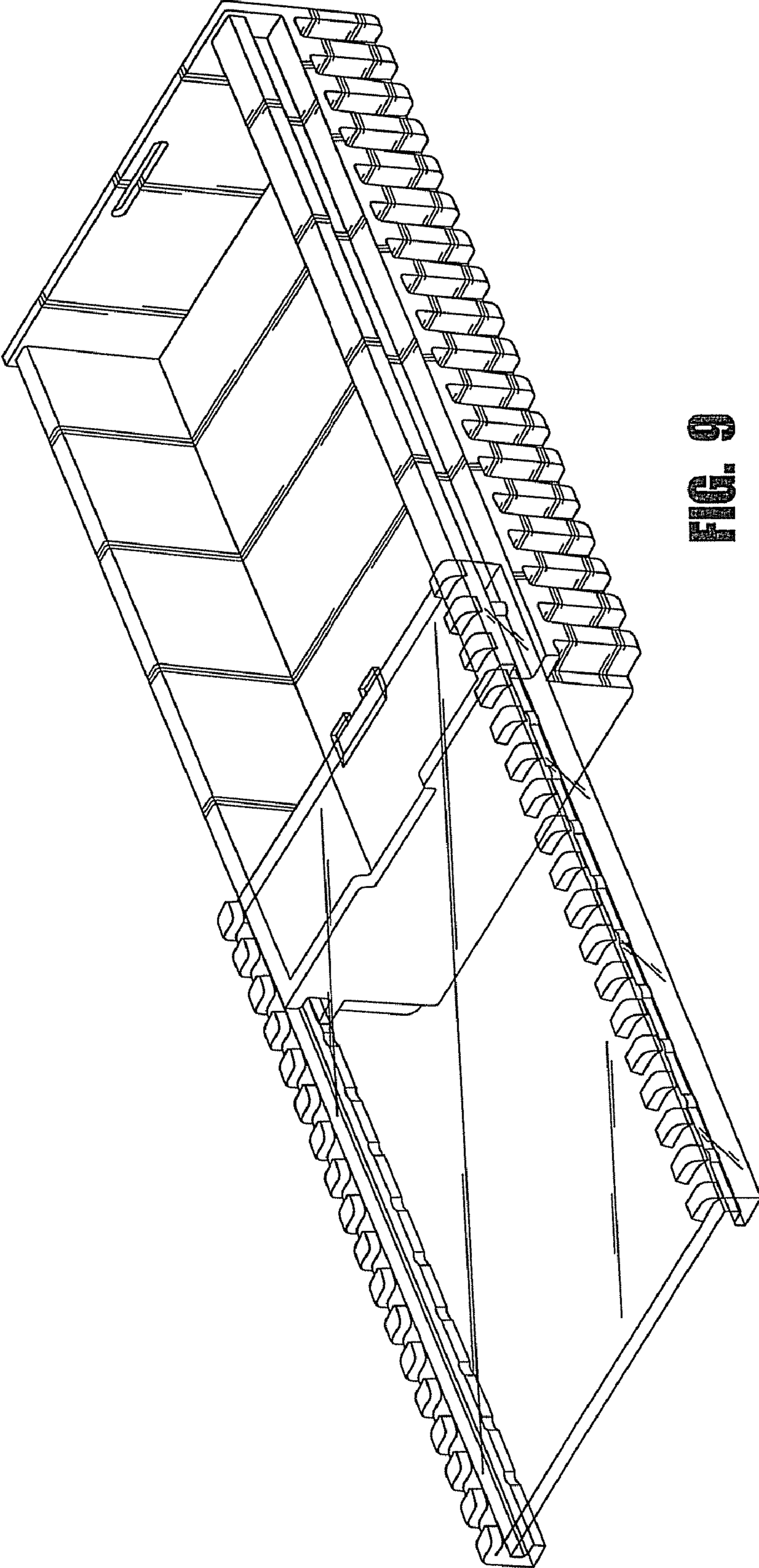


FIG. 9

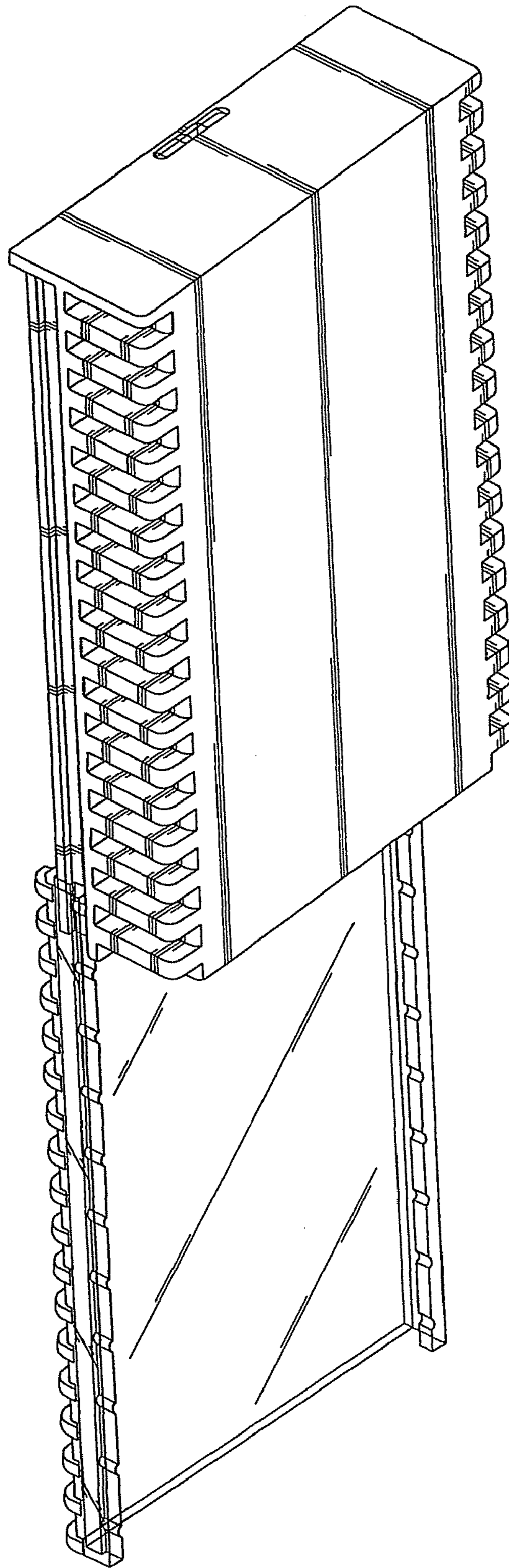


FIG. 10

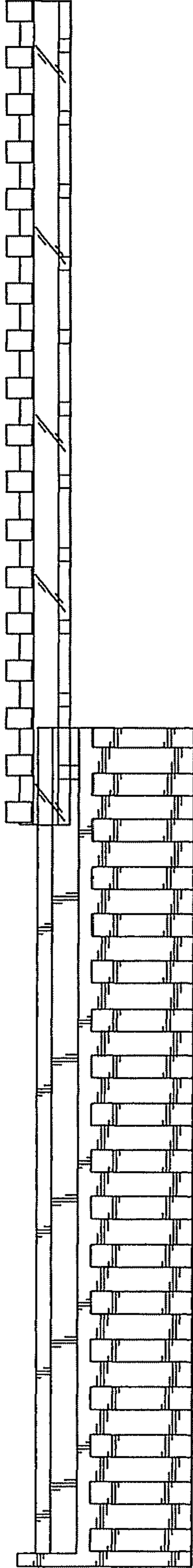


FIG. 11

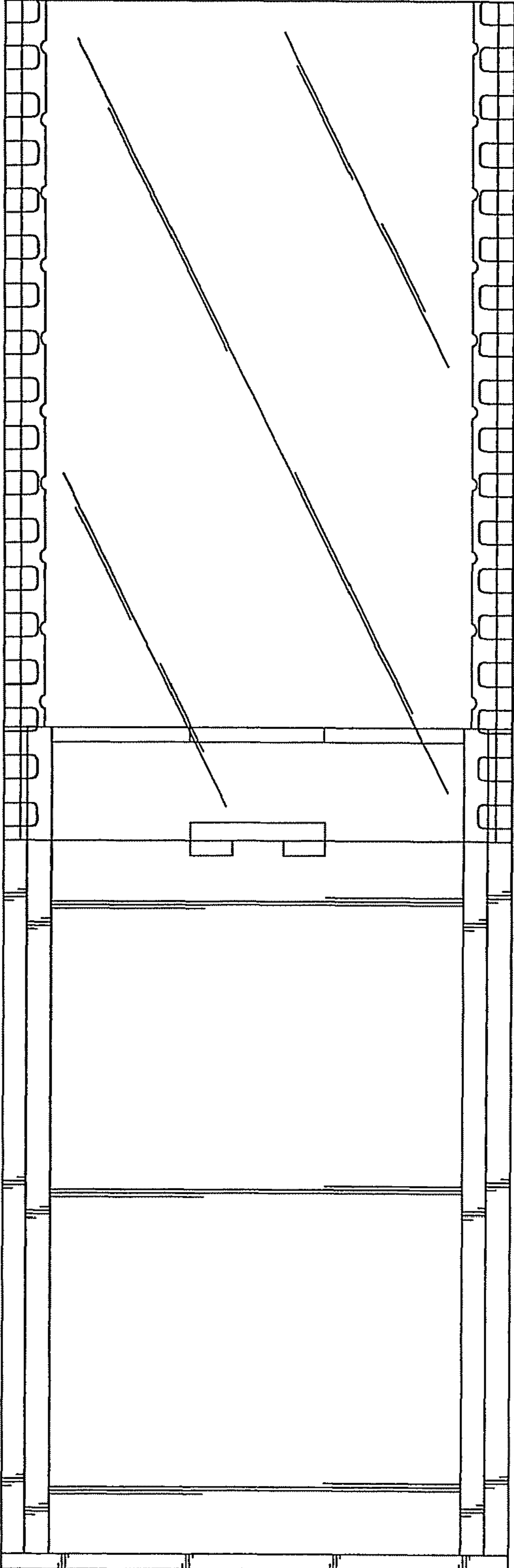


FIG. 12

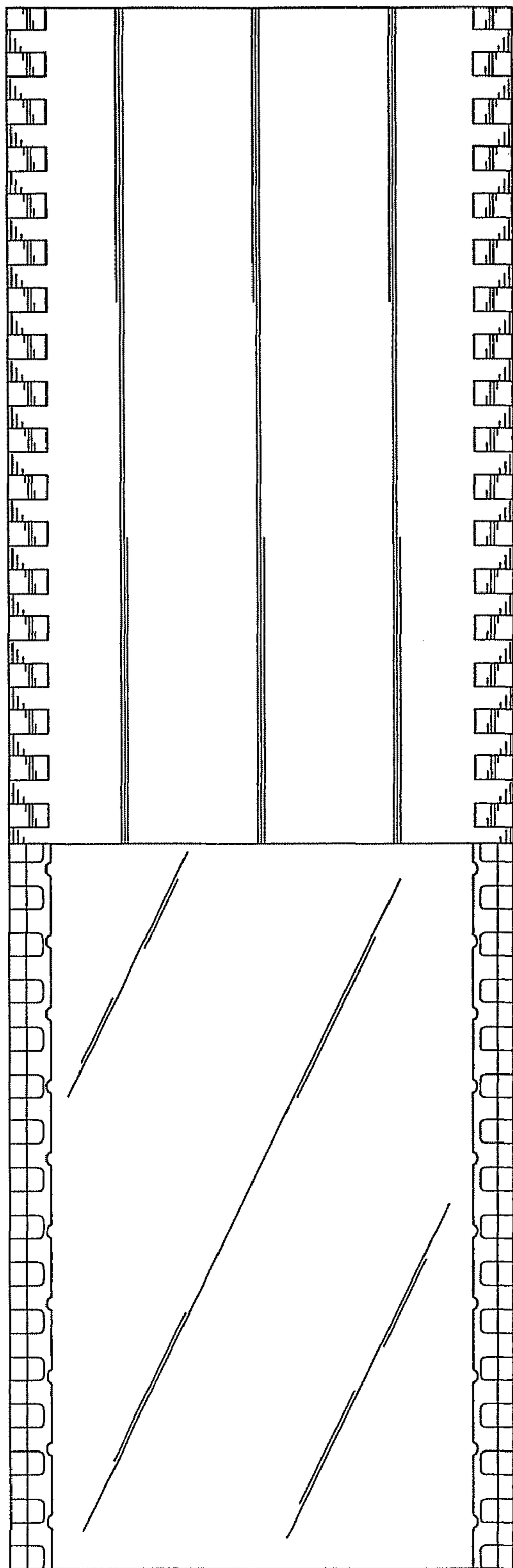


FIG. 13

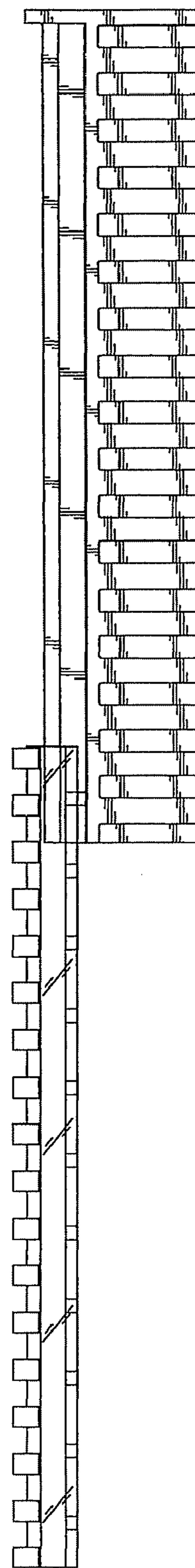


FIG. 14

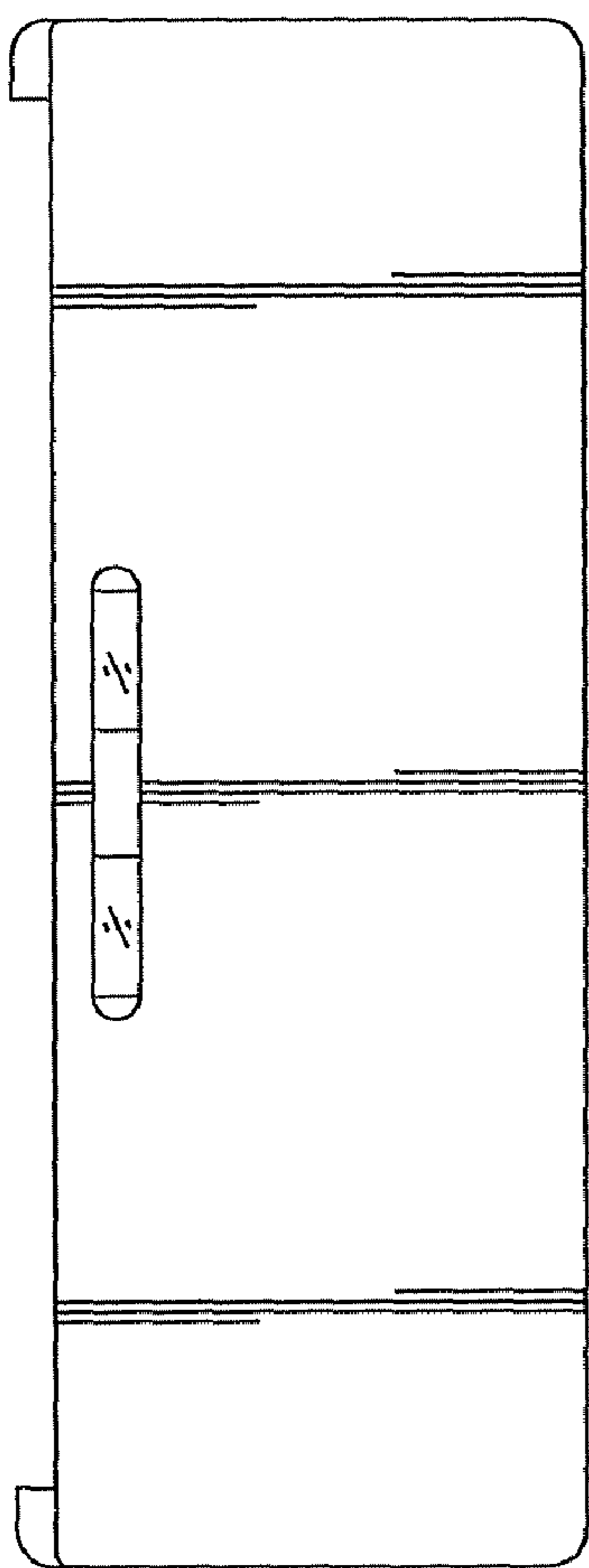


FIG. 15

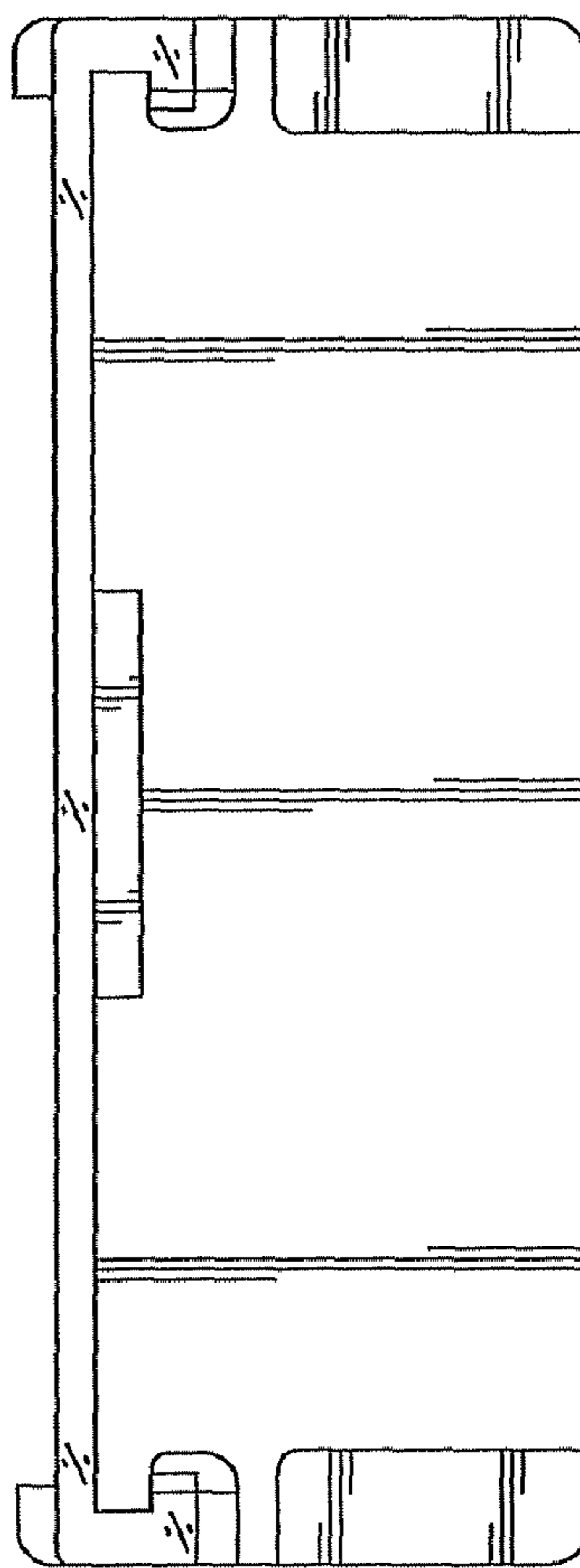


FIG. 16