



US00D657560S

(12) **United States Design Patent**
Schulz

(10) **Patent No.:** **US D657,560 S**

(45) **Date of Patent:** **** Apr. 17, 2012**

(54) **COMPUTER CASE**

(76) Inventor: **Daniel Schulz**, Slc, UT (US)

(**) Term: **14 Years**

(21) Appl. No.: **29/385,536**

(22) Filed: **Feb. 15, 2011**

(51) **LOC (9) Cl.** **03-01**

(52) **U.S. Cl.** **D3/274; D19/88**

(58) **Field of Classification Search** D3/273,
D3/274, 294; D19/88; D18/15; 248/458;
281/45; 206/320, 756; 24/67.3, 67.5, 67.7
See application file for complete search history.

(56) **References Cited**

U.S. PATENT DOCUMENTS

D261,903 S *	11/1981	Mulder	D19/88
4,610,324 A *	9/1986	Mexicotte	177/245
4,665,620 A *	5/1987	Osteen	33/760
D324,399 S *	3/1992	Murphy	D19/88
D353,394 S *	12/1994	Stefanski et al.	D18/15
D380,610 S *	7/1997	Corrales	D3/276
D398,650 S *	9/1998	Shamoon	D19/88
6,217,075 B1 *	4/2001	Tsai	281/45
D500,800 S *	1/2005	Shamoon	D19/88
D575,826 S *	8/2008	Chen et al.	D19/88
7,628,271 B1 *	12/2009	Marton	206/320
D611,542 S *	3/2010	Chen et al.	D19/88
D611,543 S *	3/2010	Chen et al.	D19/88
D613,060 S *	4/2010	Sao	D3/288
D647,969 S *	11/2011	Shamoon	D19/88

2002/0180205 A1 *	12/2002	Anderson	281/45
2007/0026764 A1 *	2/2007	Green	446/482
2008/0237432 A1 *	10/2008	Patterson	248/458

* cited by examiner

Primary Examiner — Jennifer Rivard

(74) *Attorney, Agent, or Firm* — Michael W. Starkweather

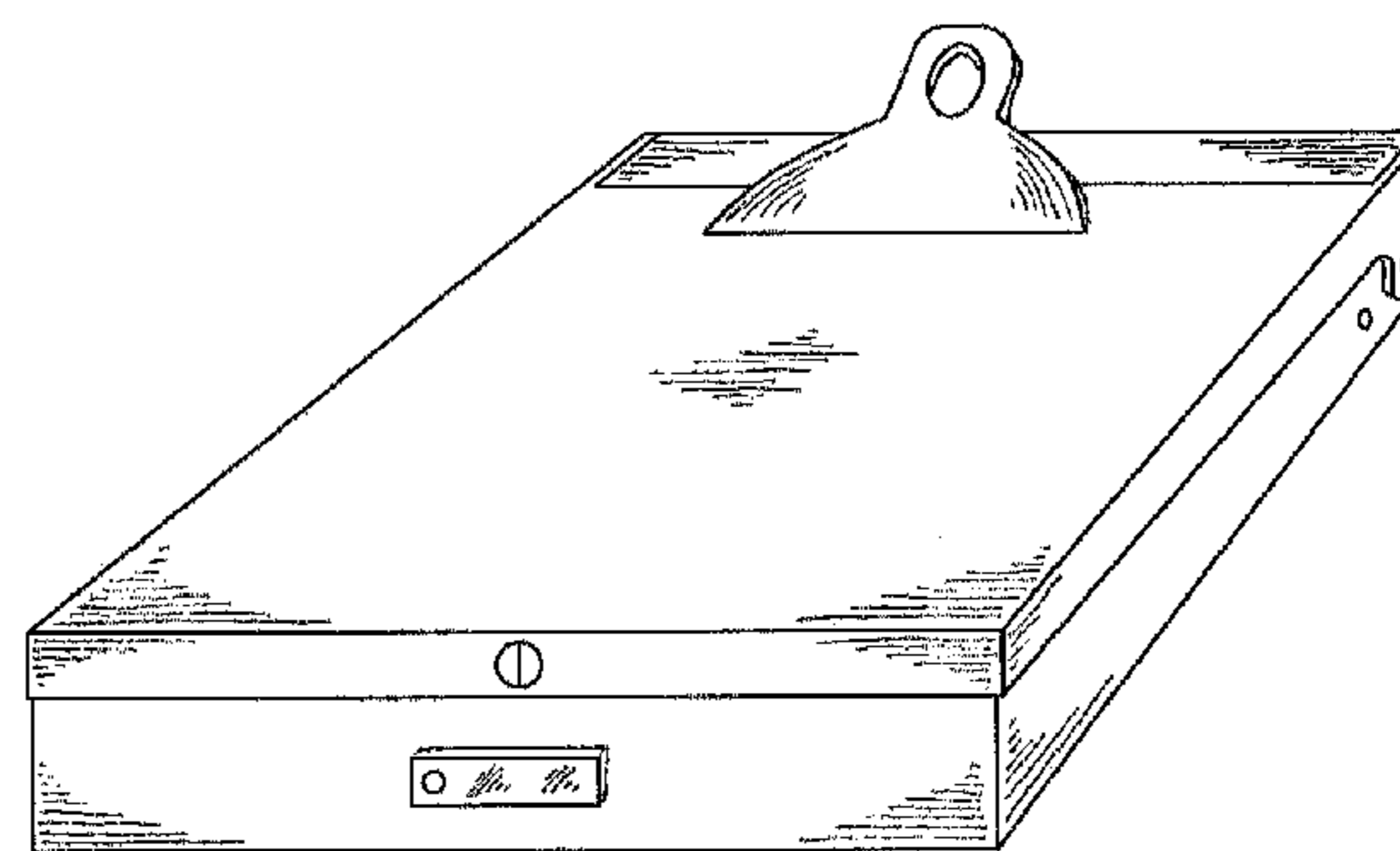
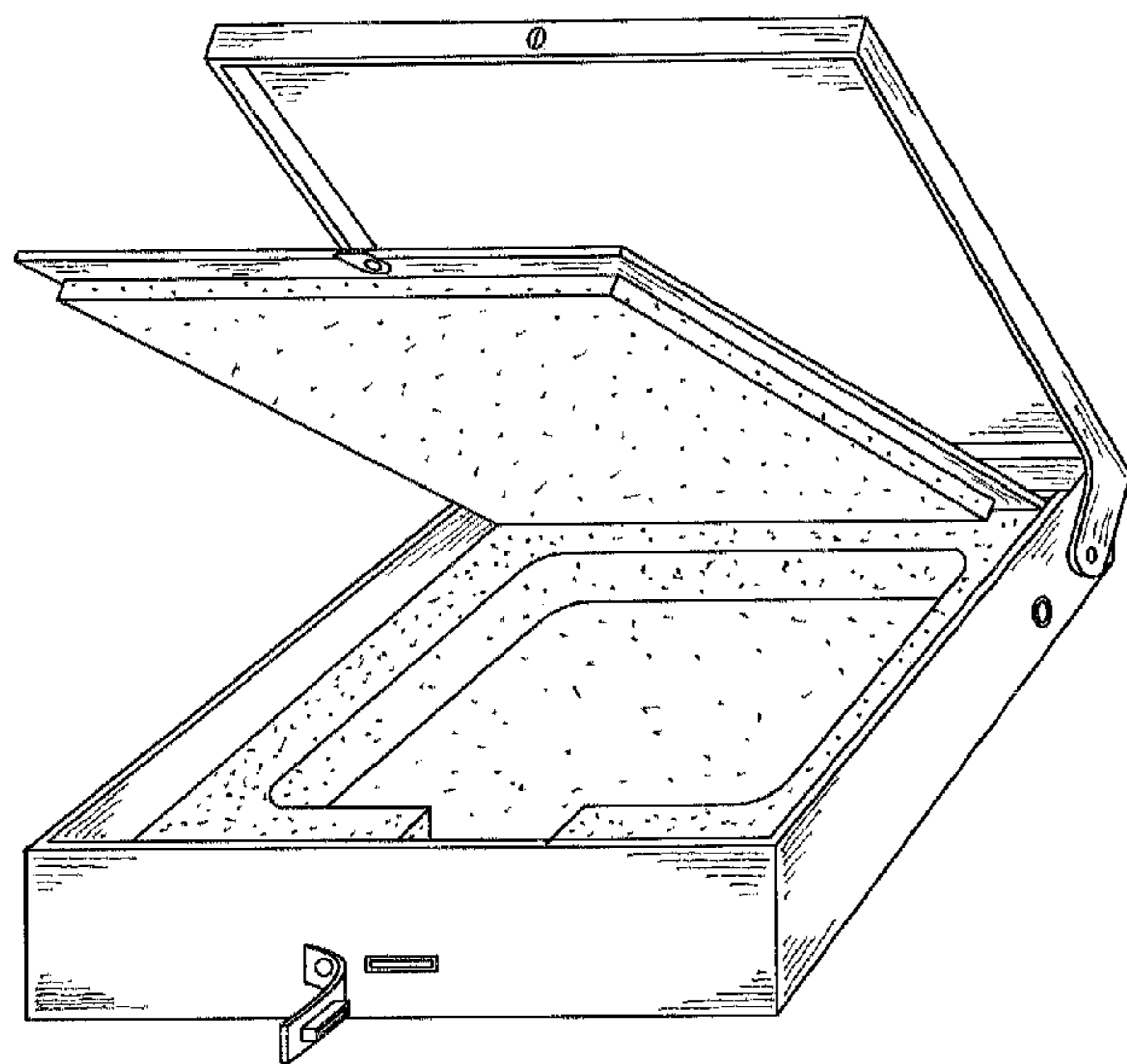
(57) **CLAIM**

The ornamental design for a computer case, as shown and described.

DESCRIPTION

FIG. 1 is a perspective view of a computer case showing my new design in an open position;
 FIG. 2 is a top plan view thereof in a closed position;
 FIG. 3 is a right side elevation view thereof;
 FIG. 4 is a left side elevation view thereof;
 FIG. 5 is a bottom plan view thereof;
 FIG. 6 is a back elevation view thereof;
 FIG. 7 is a front elevation view thereof;
 FIG. 8 is a right side view thereof, wherein the lid of the computer case is rotated approximately 280 degrees to the display position;
 FIG. 9 is a back view thereof, wherein the lid of the computer case is rotated approximately 280 degrees to its display position; and,
 FIG. 10 is a perspective view of the computer case in a closed position.

1 Claim, 7 Drawing Sheets



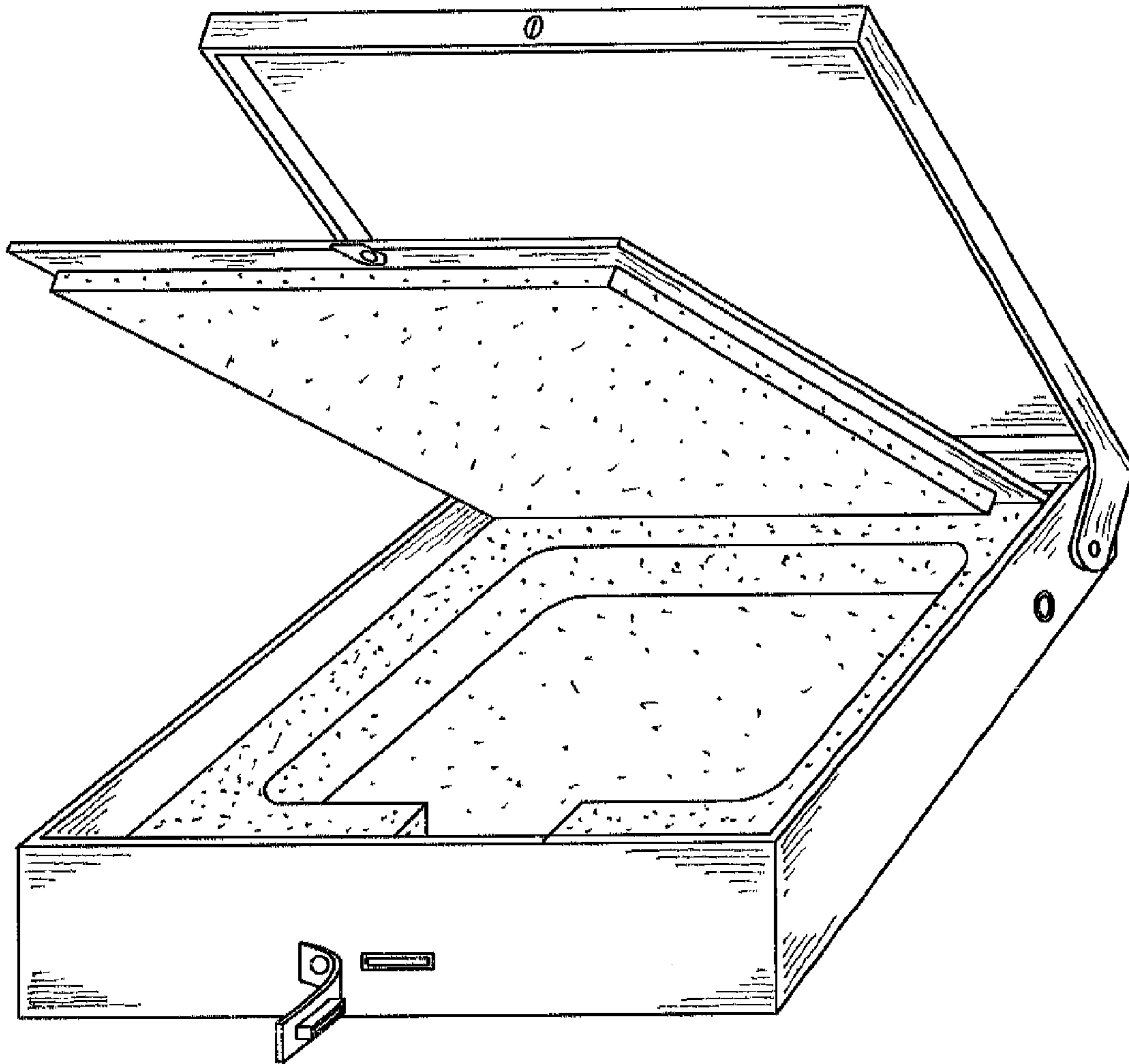


Figure 1

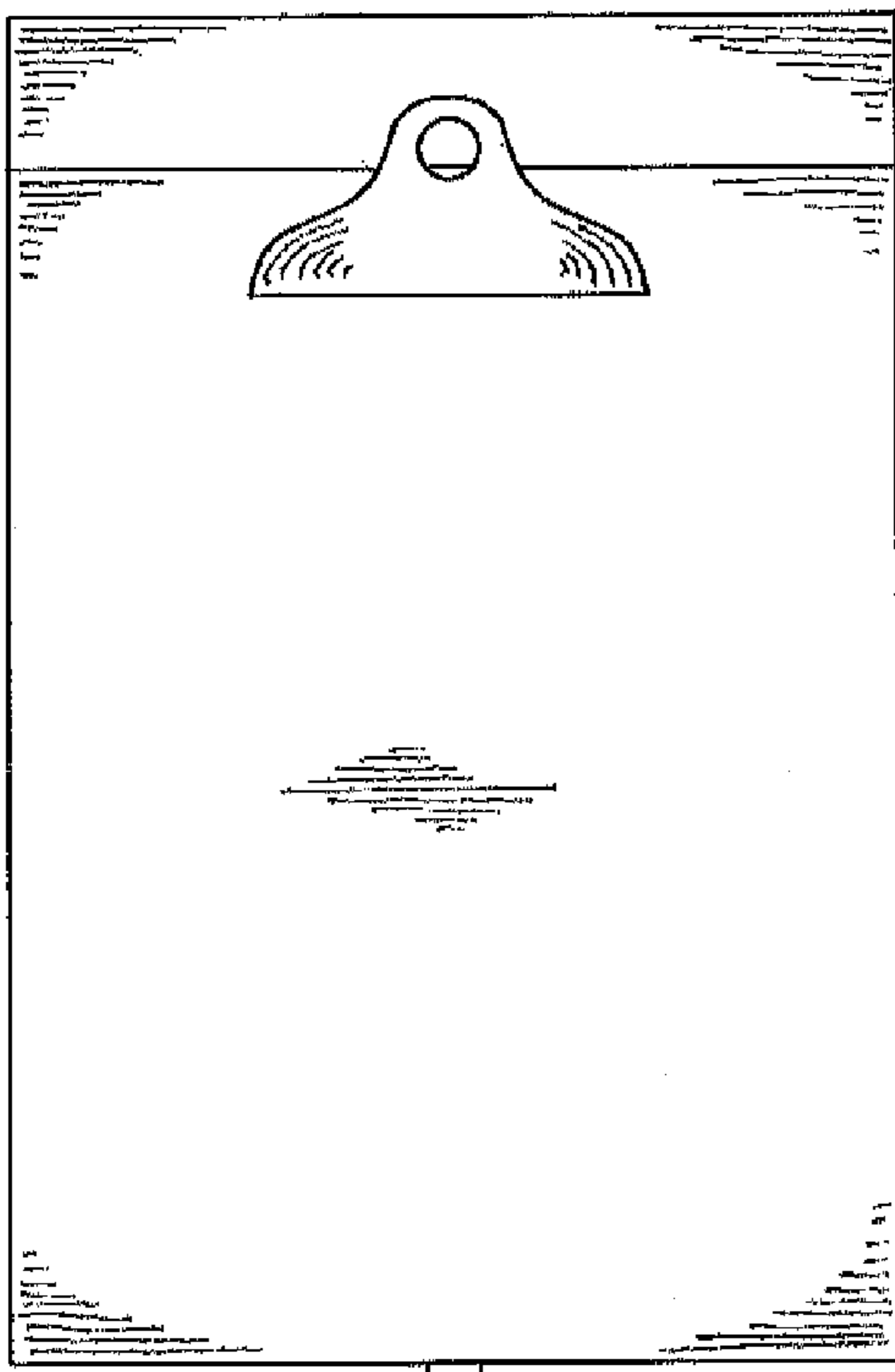


Figure 2

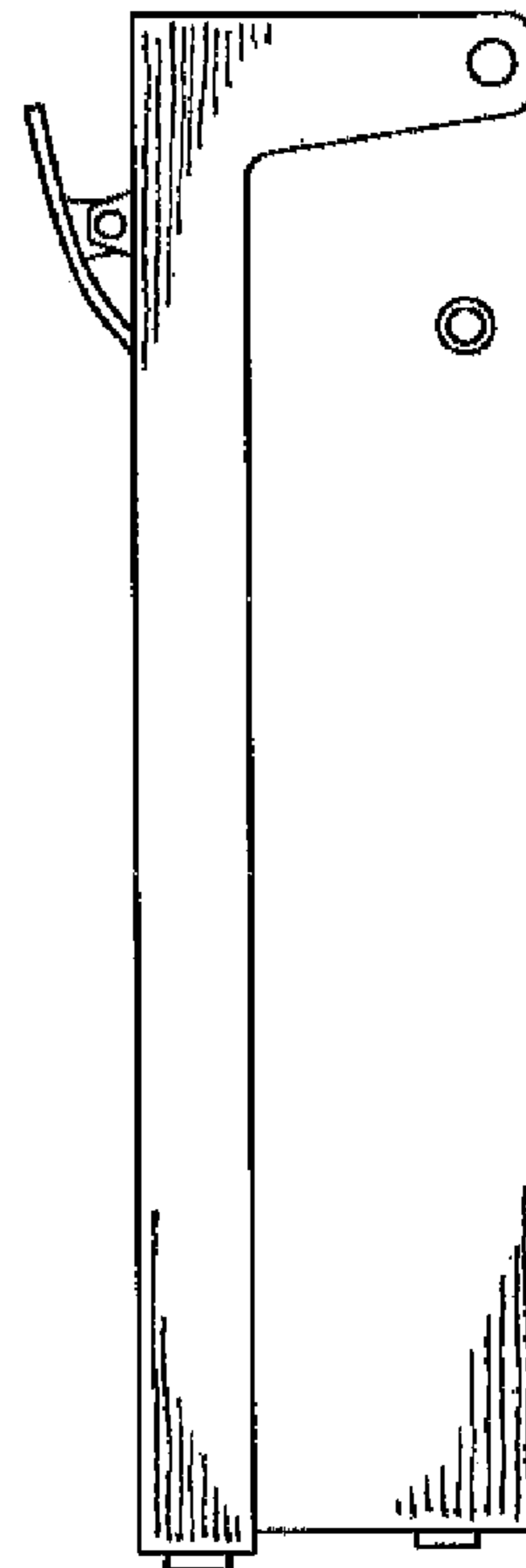


Figure 3

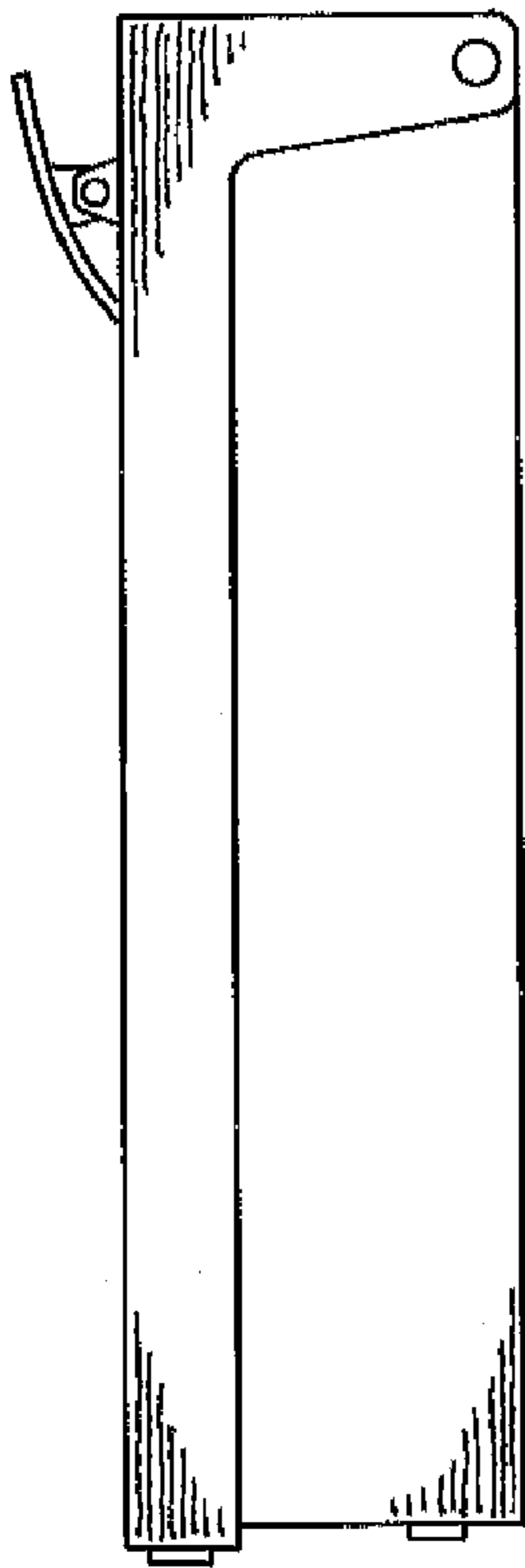


Figure 4

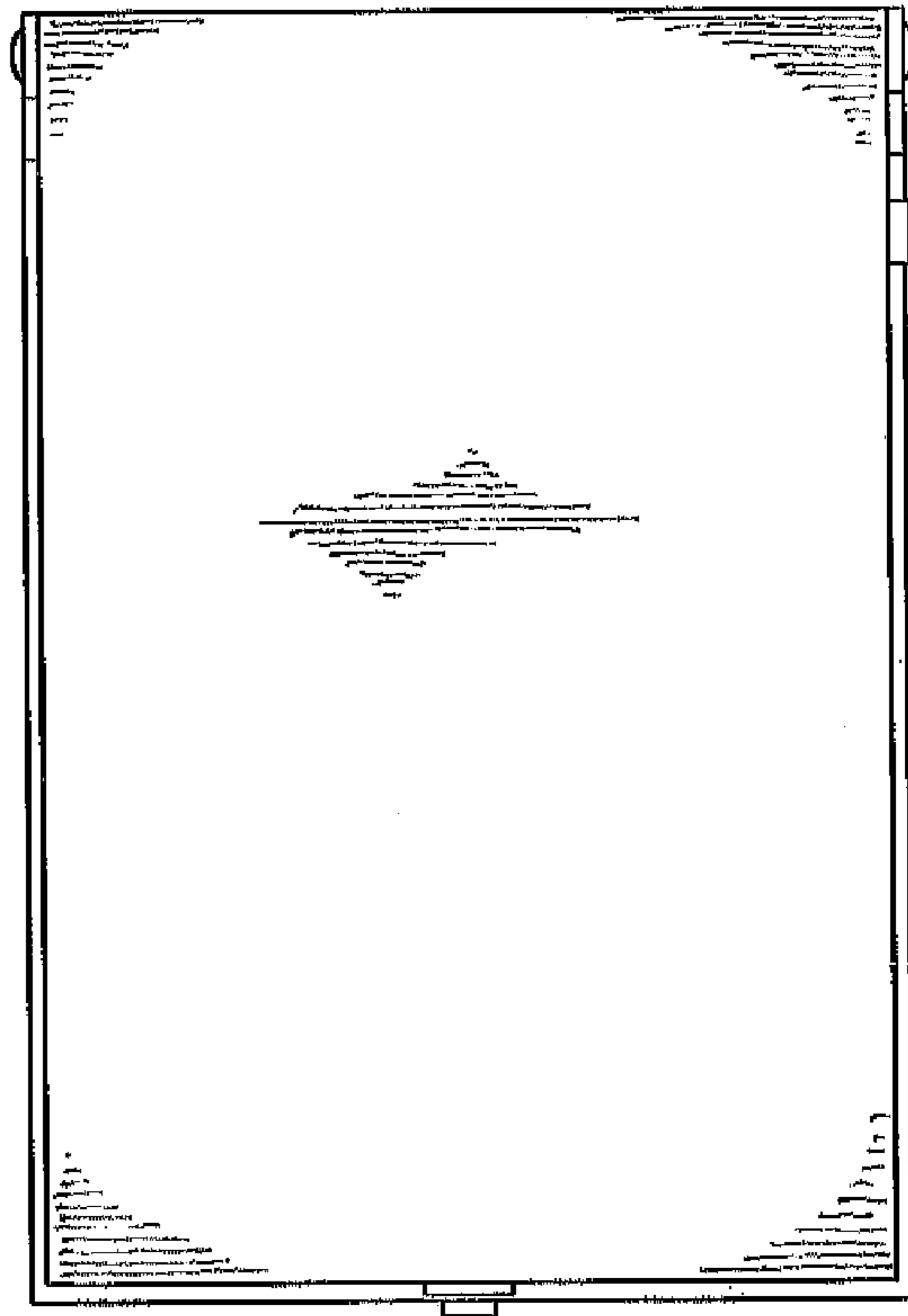


Figure 5

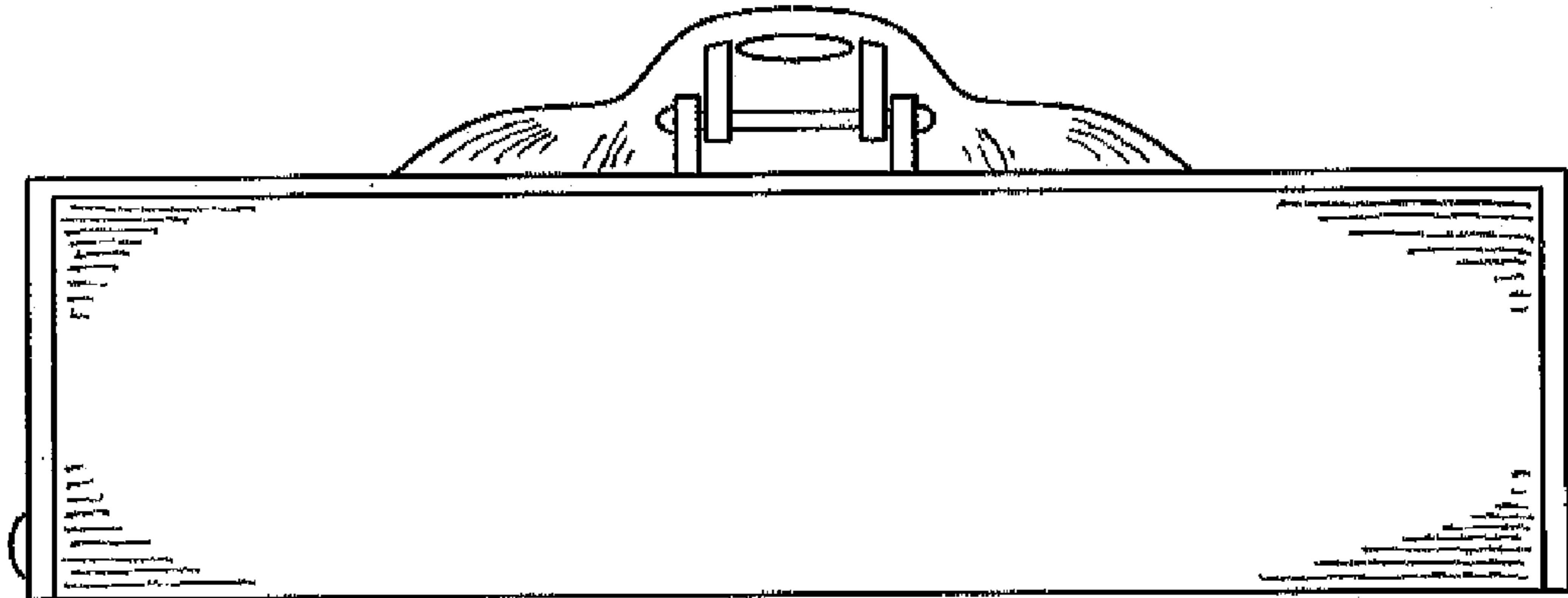


Figure 6

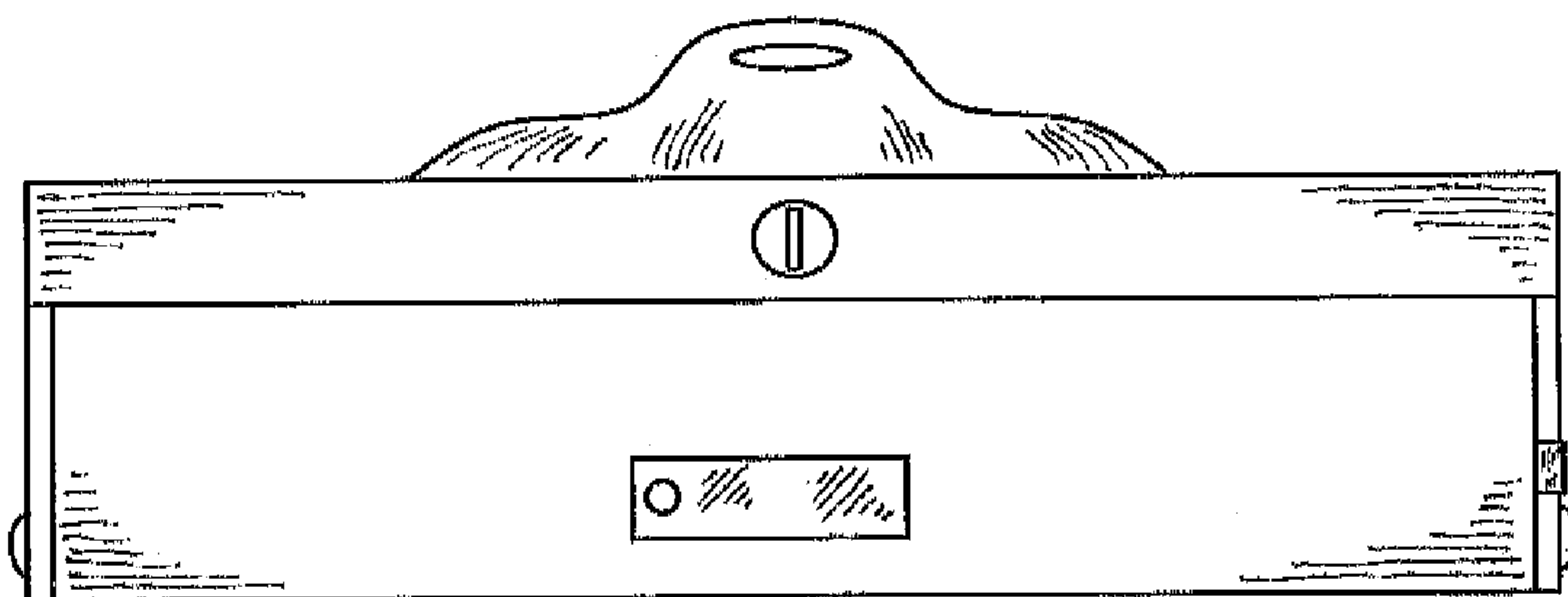


Figure 7

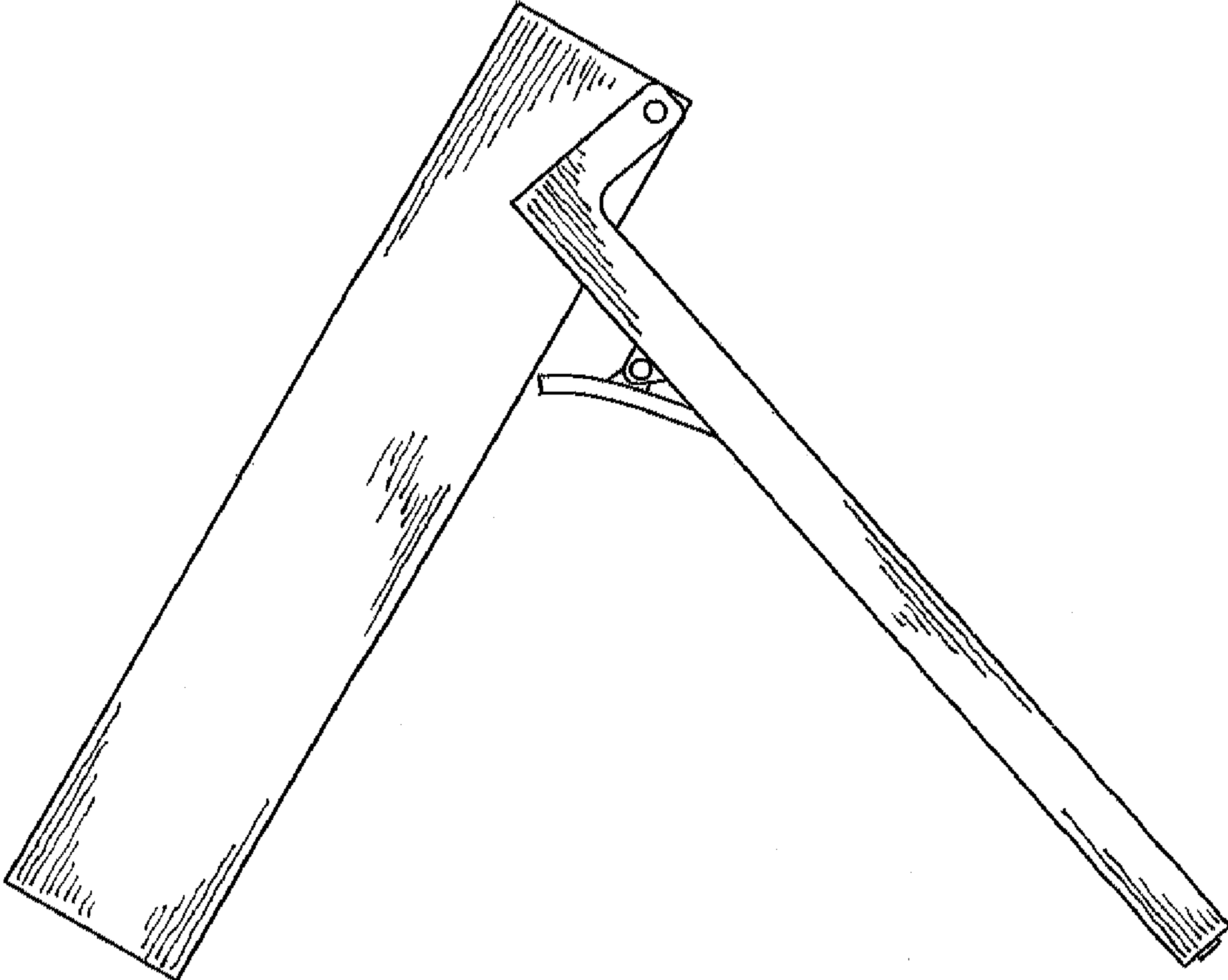


Figure 8

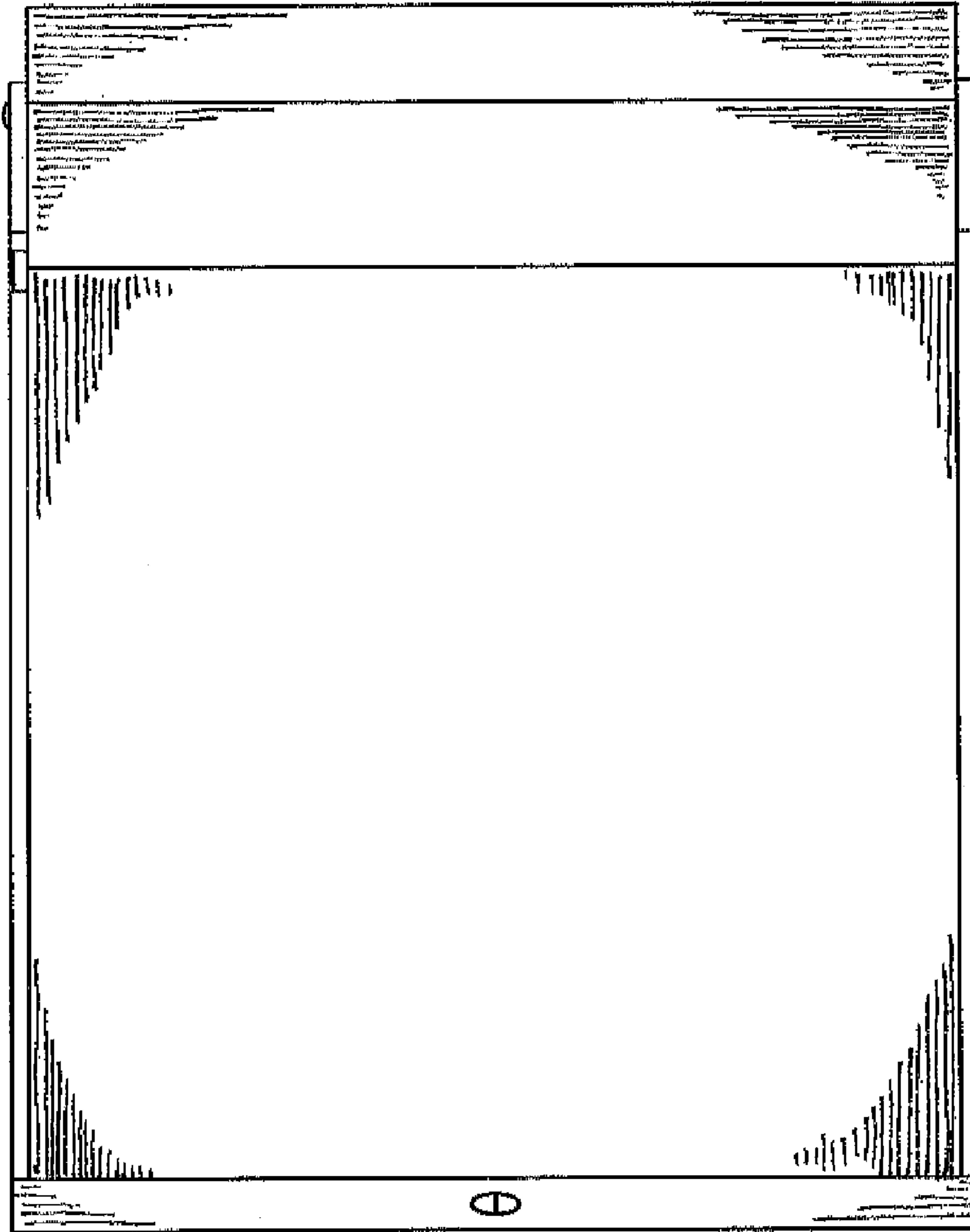


Figure 9

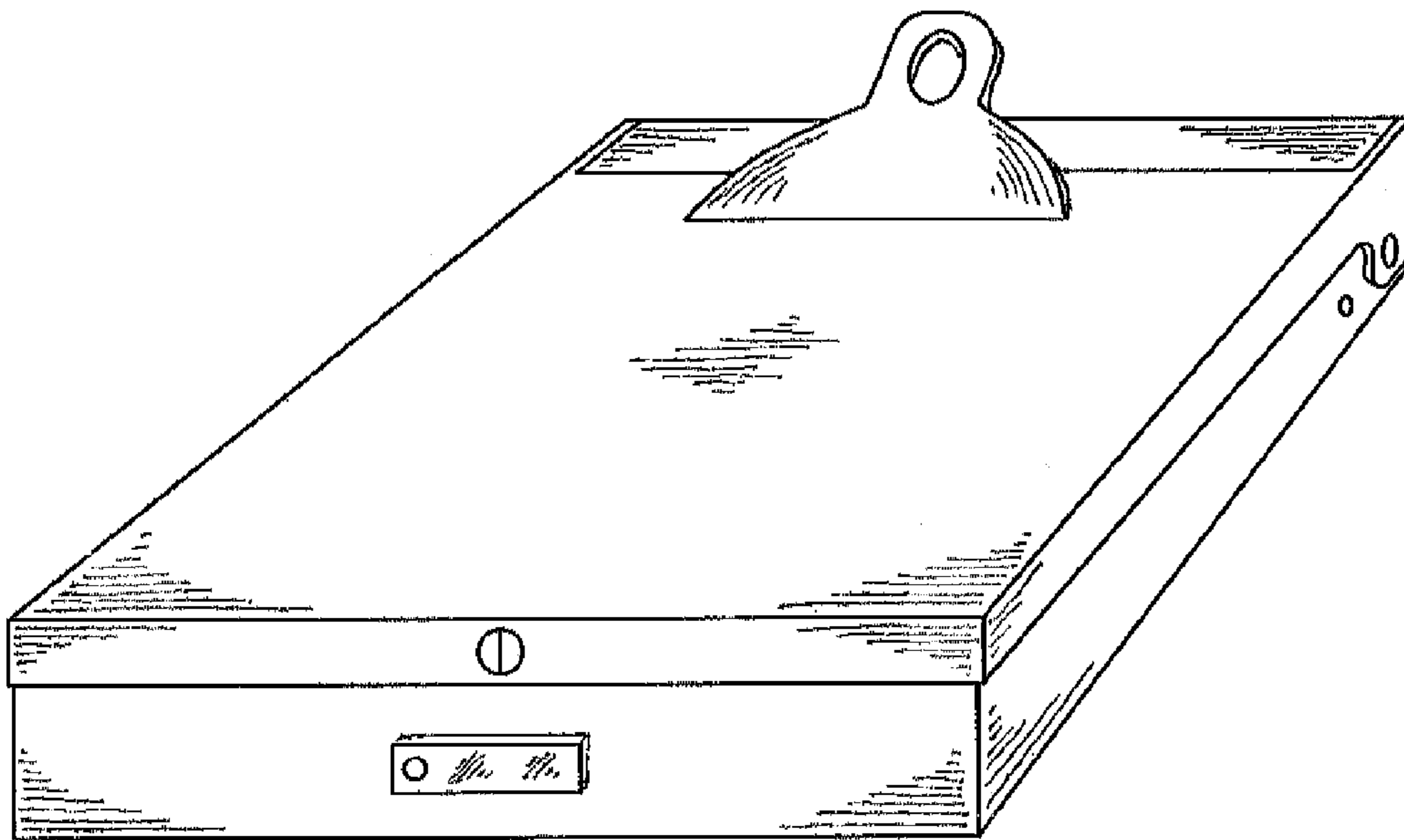


Figure 10