



US00D657559S

(12) **United States Design Patent**
Thai

(10) **Patent No.:** **US D657,559 S**

(45) **Date of Patent:** **** Apr. 17, 2012**

(54) **WINE BOTTLE CARRIER**

(76) Inventor: **Tony Thai**, Plano, TX (US)

(**) Term: **14 Years**

(21) Appl. No.: **29/365,347**

(22) Filed: **Jul. 8, 2010**

(51) **LOC (9) Cl.** **03-01**

(52) **U.S. Cl.** **D3/271.2**

(58) **Field of Classification Search** D3/271.2,
D3/271.3, 234–235, 201–202, 238, 270, 273–274,
D3/236, 316; D7/605–608, 619.1, 619.2;
D9/598, 600–601, 694; D21/611, 576, 584,
D21/587, 593–594; 446/72–74

See application file for complete search history.

(56) **References Cited**

U.S. PATENT DOCUMENTS

D365,915 S * 1/1996 Merkley et al. D3/271.2
D451,272 S * 12/2001 McFarlin D3/202
D464,384 S * 10/2002 Behrle D21/628
D572,478 S * 7/2008 Carlstedt et al. D3/271.2

* cited by examiner

Primary Examiner — Catheri Oliver

(74) *Attorney, Agent, or Firm* — Aaron P. Peacock; Gagnon,
Peacock, Shanklin & Vereeke P.C.

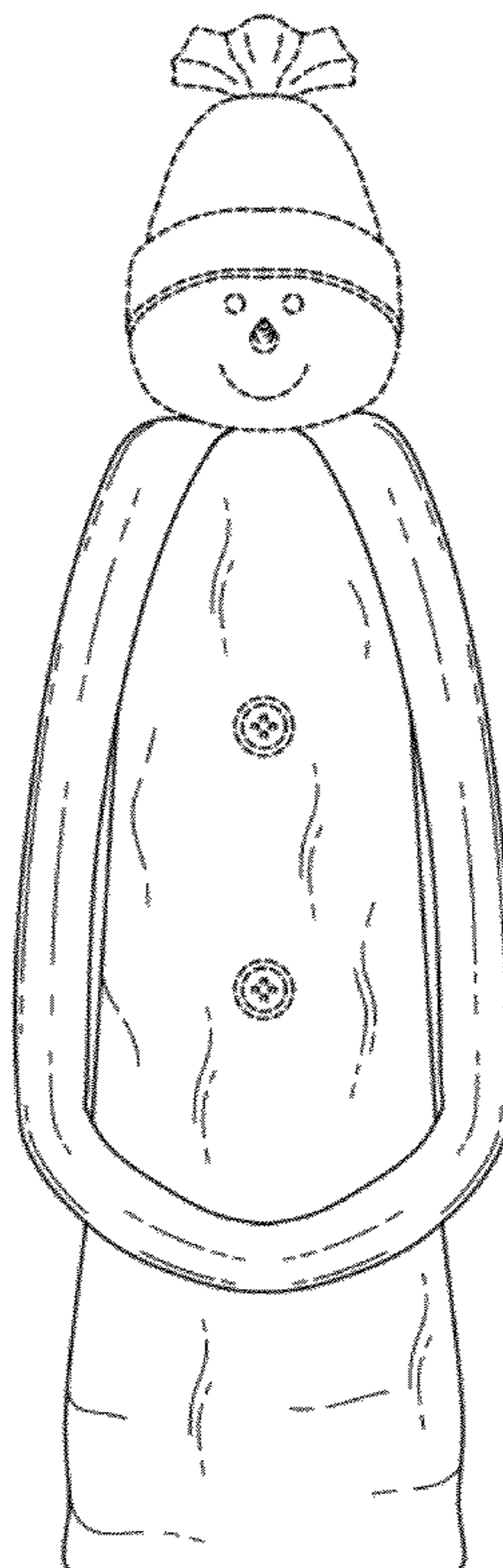
(57) **CLAIM**

The ornamental design for a wine bottle carrier, as shown and described.

DESCRIPTION

FIG. 1 is a front elevation view of a wine bottle carrier, depicting an embodiment of a new design;
FIG. 2 is a rear elevation view thereof;
FIG. 3 is a right-side elevation view thereof;
FIG. 4 is a left-side elevation view thereof;
FIG. 5 is a bottom view thereof;
FIG. 6 is a top view thereof;
FIG. 7 is another top view thereof wherein the unclaimed design, depicting the snowman's head, is not shown;
FIG. 8 is a side-elevation view of the wine bottle carrier wherein a wine bottle is shown inside the wine bottle carrier;
FIG. 9 is side-elevation view of the wine bottle carrier wherein a wine bottle is shown outside the wine bottle carrier;
FIG. 10 is a front elevation view of a wine bottle carrier, depicting another embodiment of the new design;
FIG. 11 is a rear elevation view thereof;
FIG. 12 is a right-side elevation view thereof;
FIG. 13 is a left-side view thereof;
FIG. 14 is a bottom view thereof;
FIG. 15 is a top view thereof;
FIG. 16 is another top view thereof wherein the unclaimed design, depicting the snowman's head, is not shown;
FIG. 17 is a side-elevation view of the wine bottle carrier wherein a wine bottle is shown inside the wine bottle carrier; and,
FIG. 18 is a side-elevation view of the wine bottle carrier wherein a wine bottle is shown outside the wine bottle carrier. The broken lines in the drawings are for illustrative purposes only and form no part of the claimed design.

1 Claim, 10 Drawing Sheets



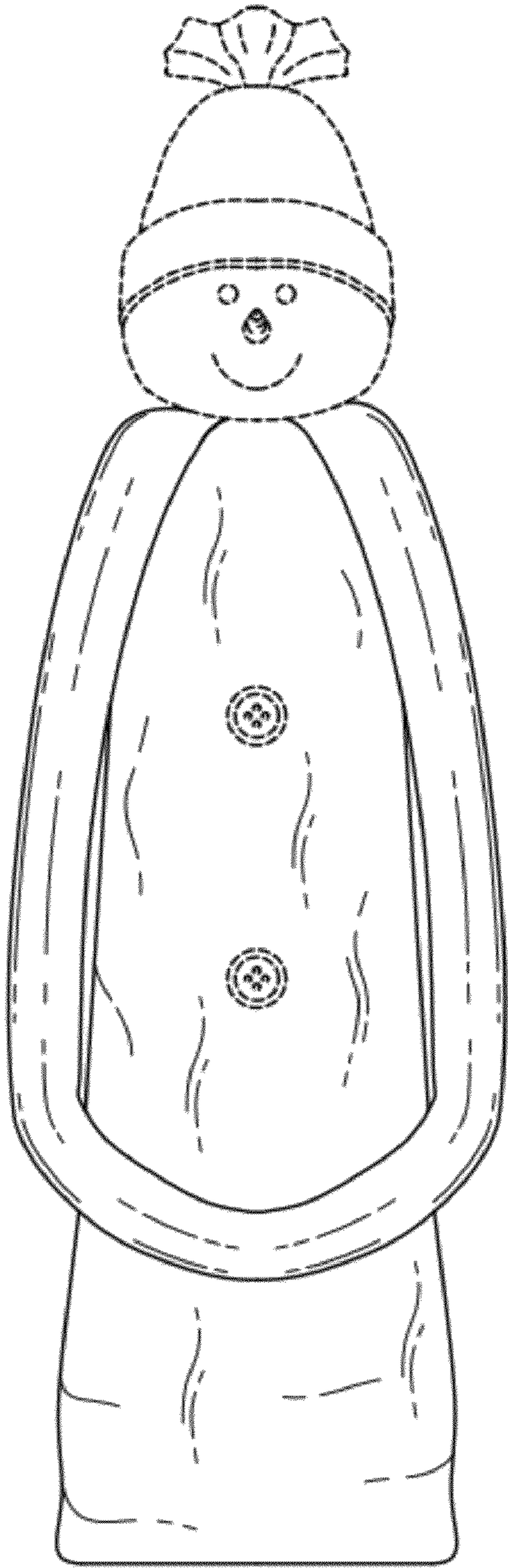


FIG. 1

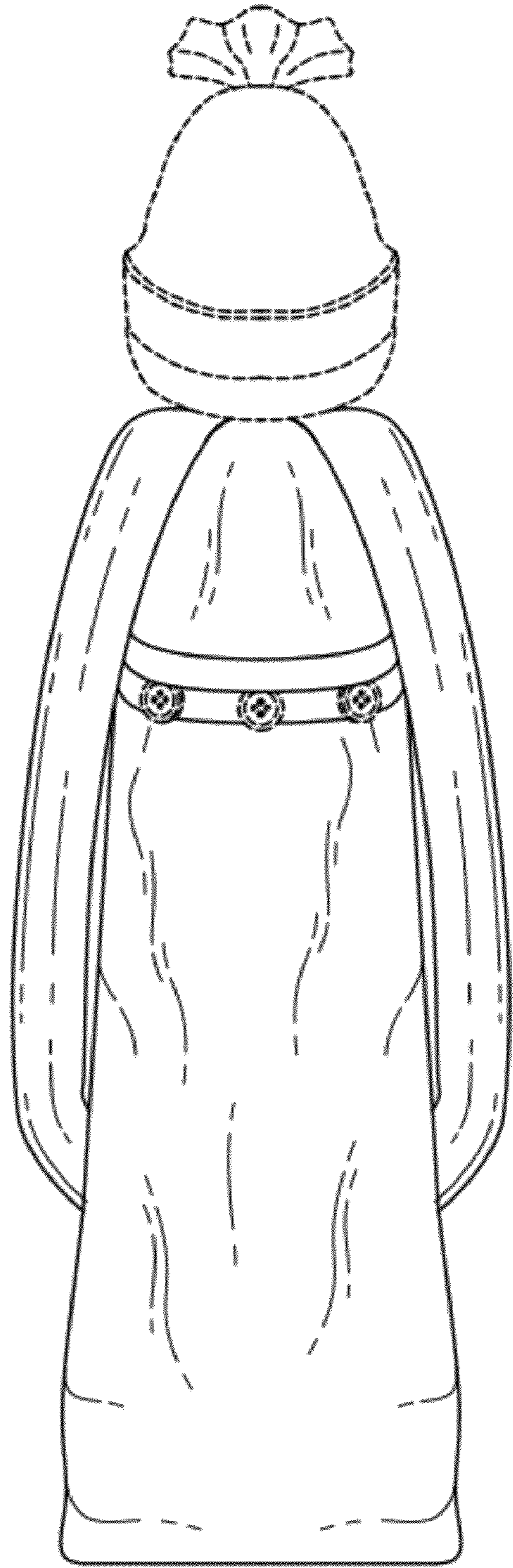


FIG. 2

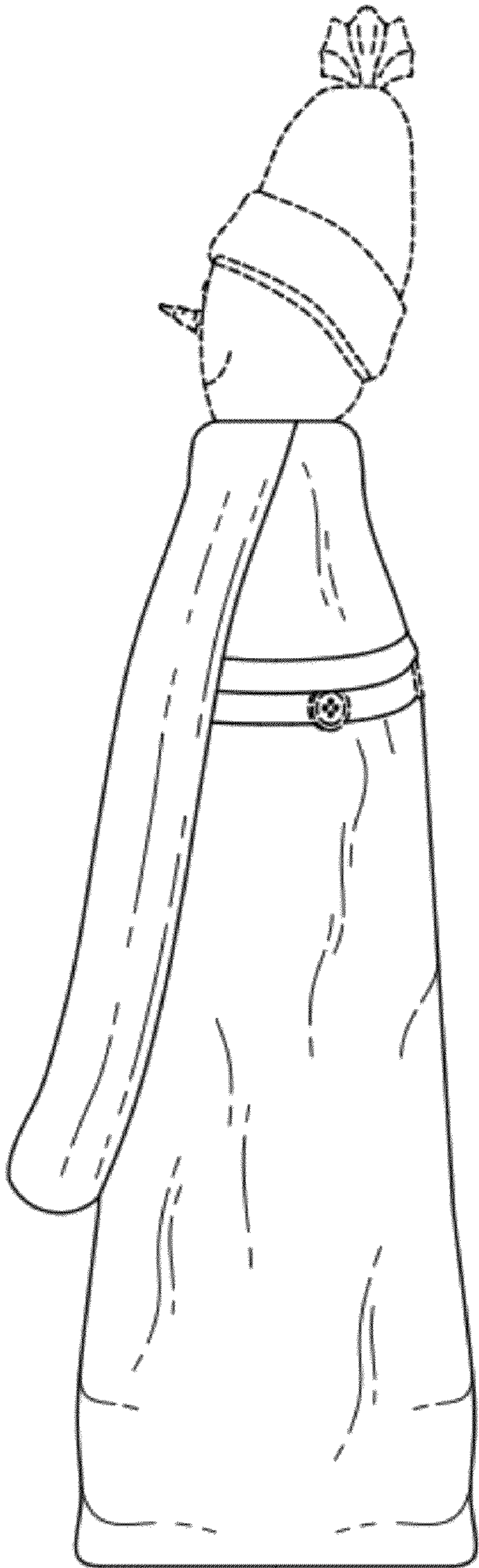


FIG. 3

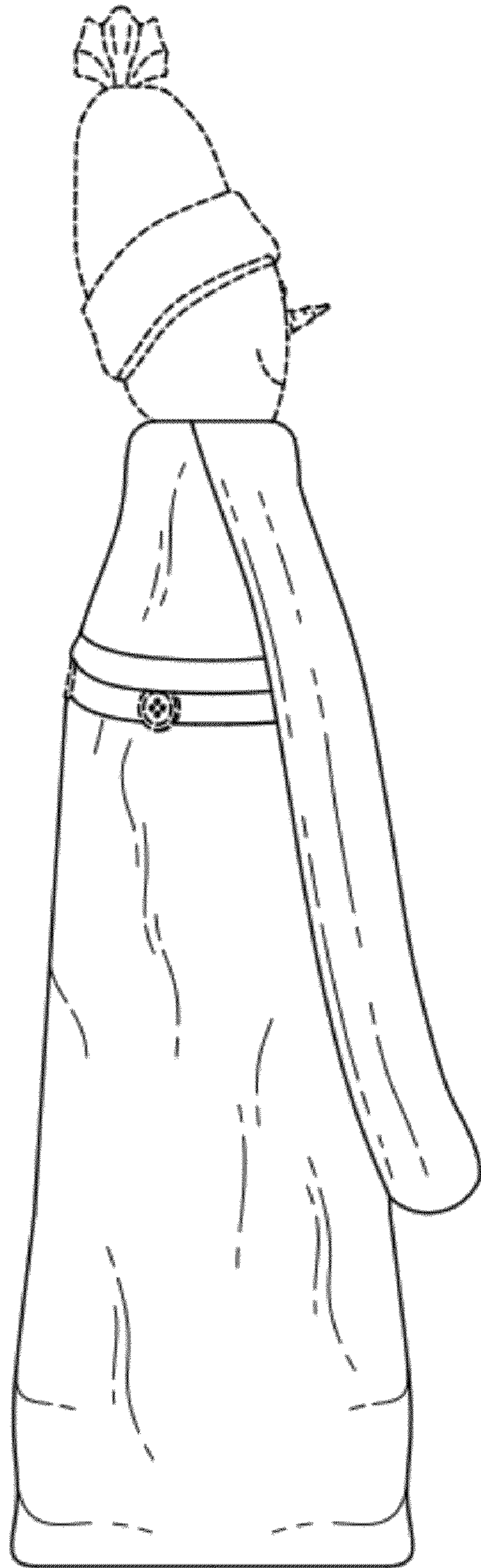


FIG. 4

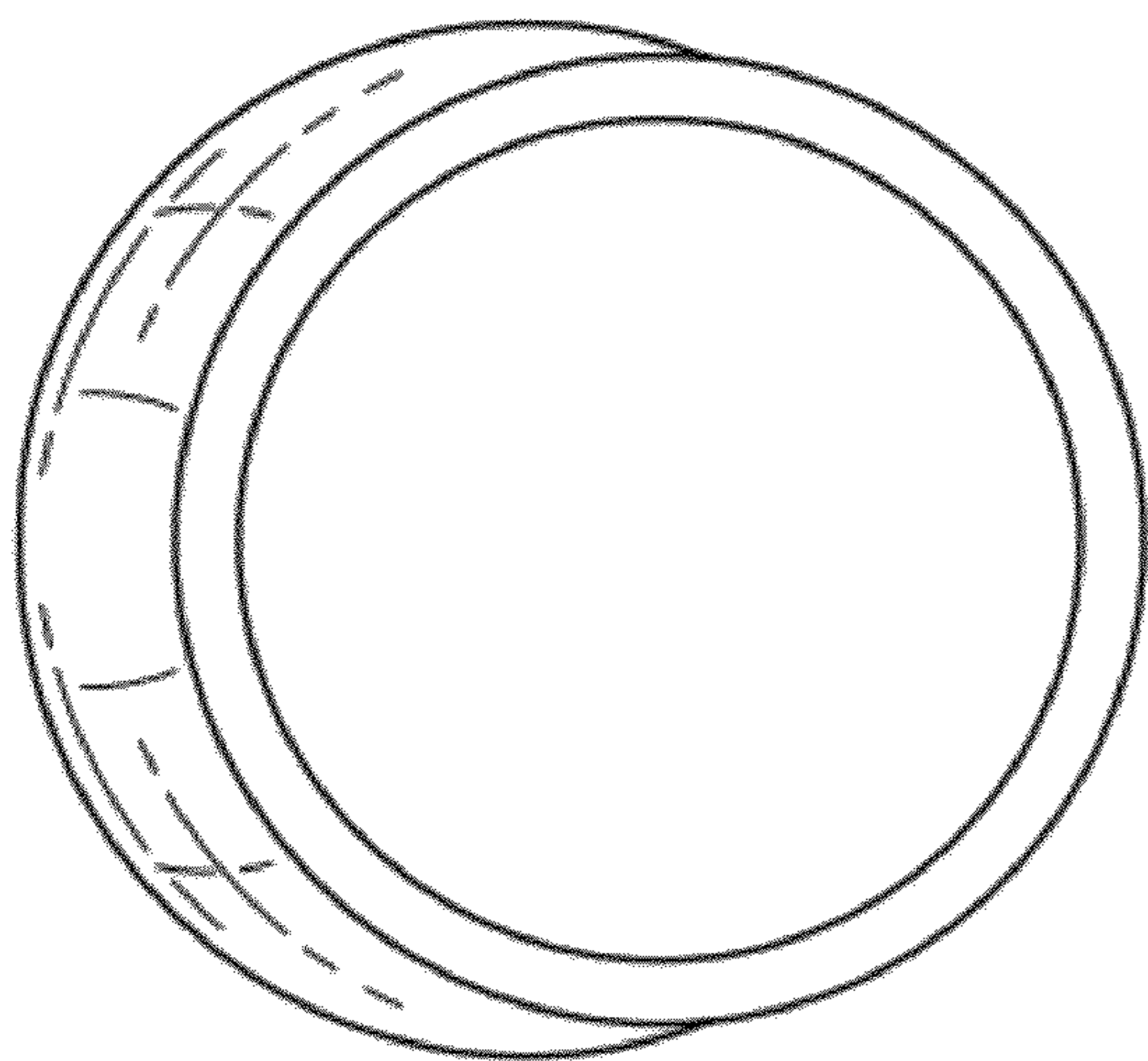


FIG. 5

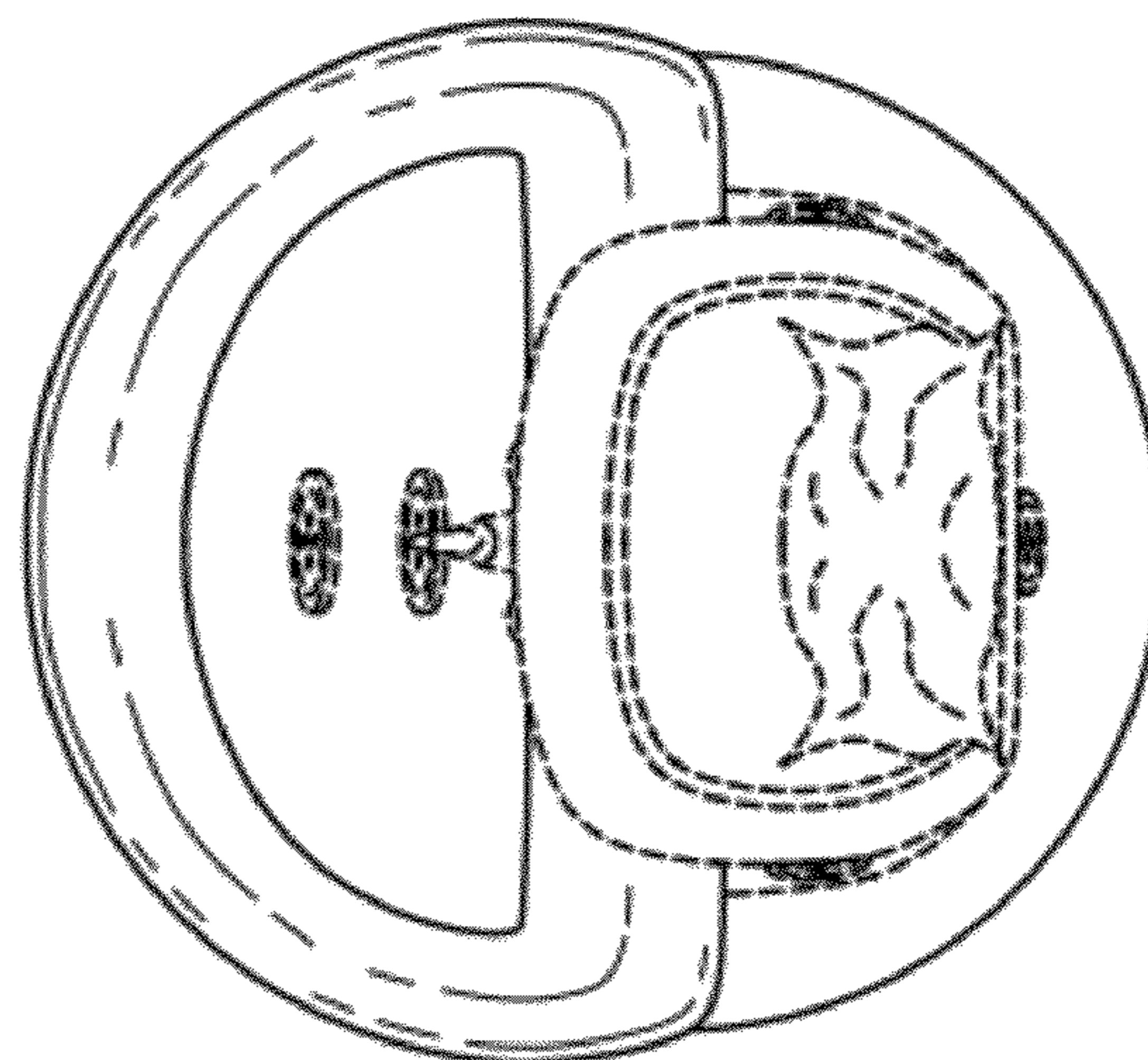


FIG. 6

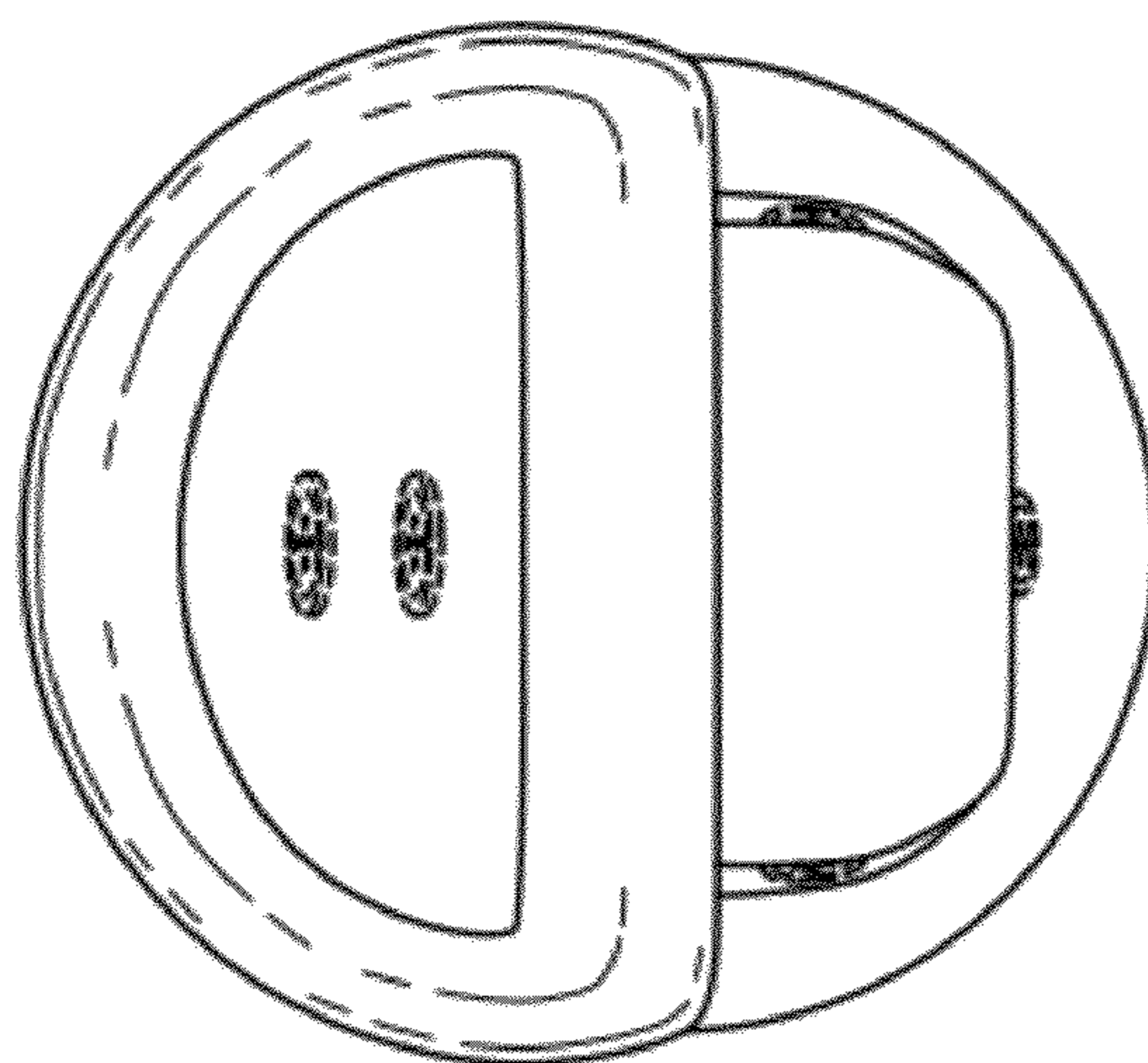


FIG. 7

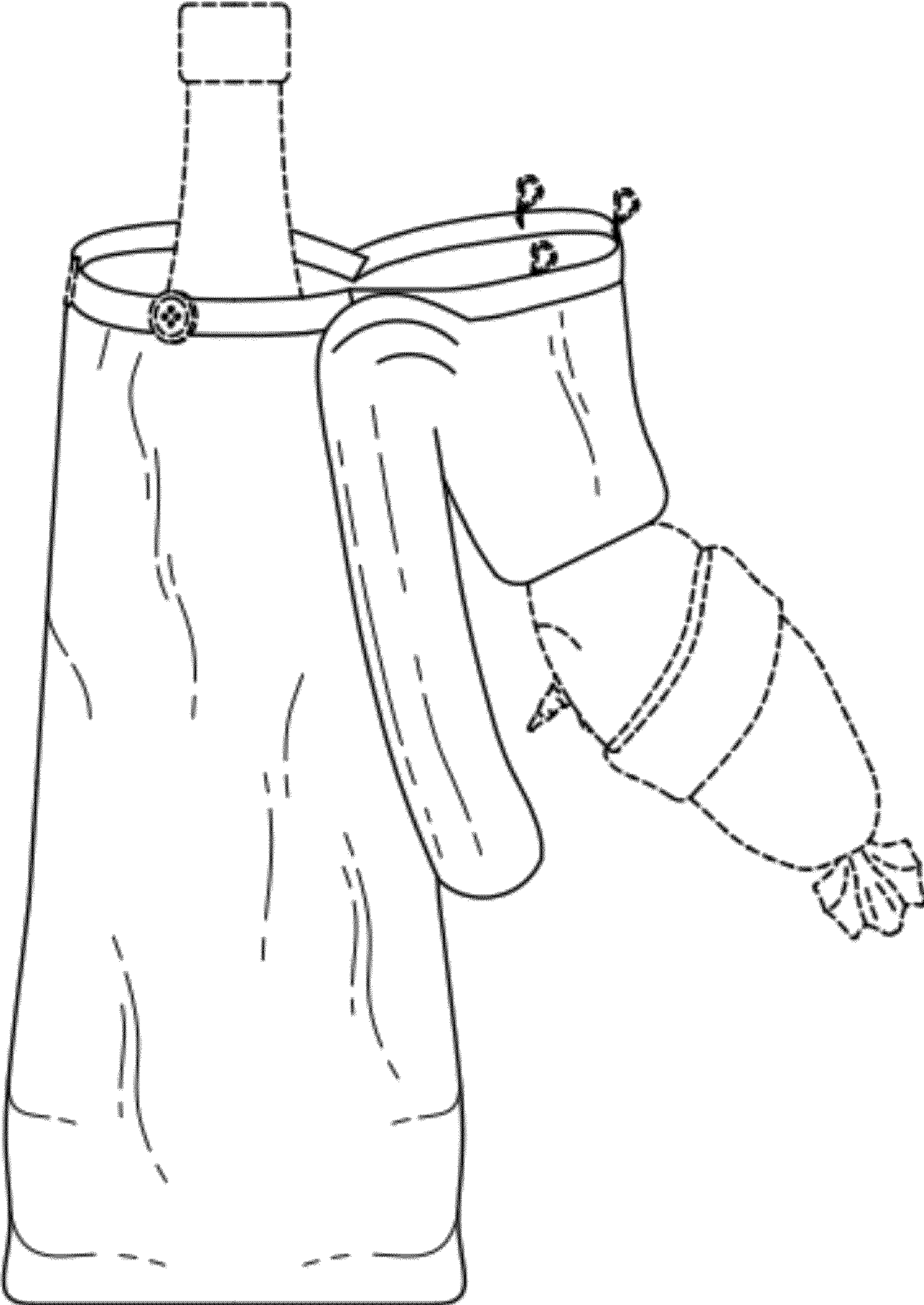


FIG. 8

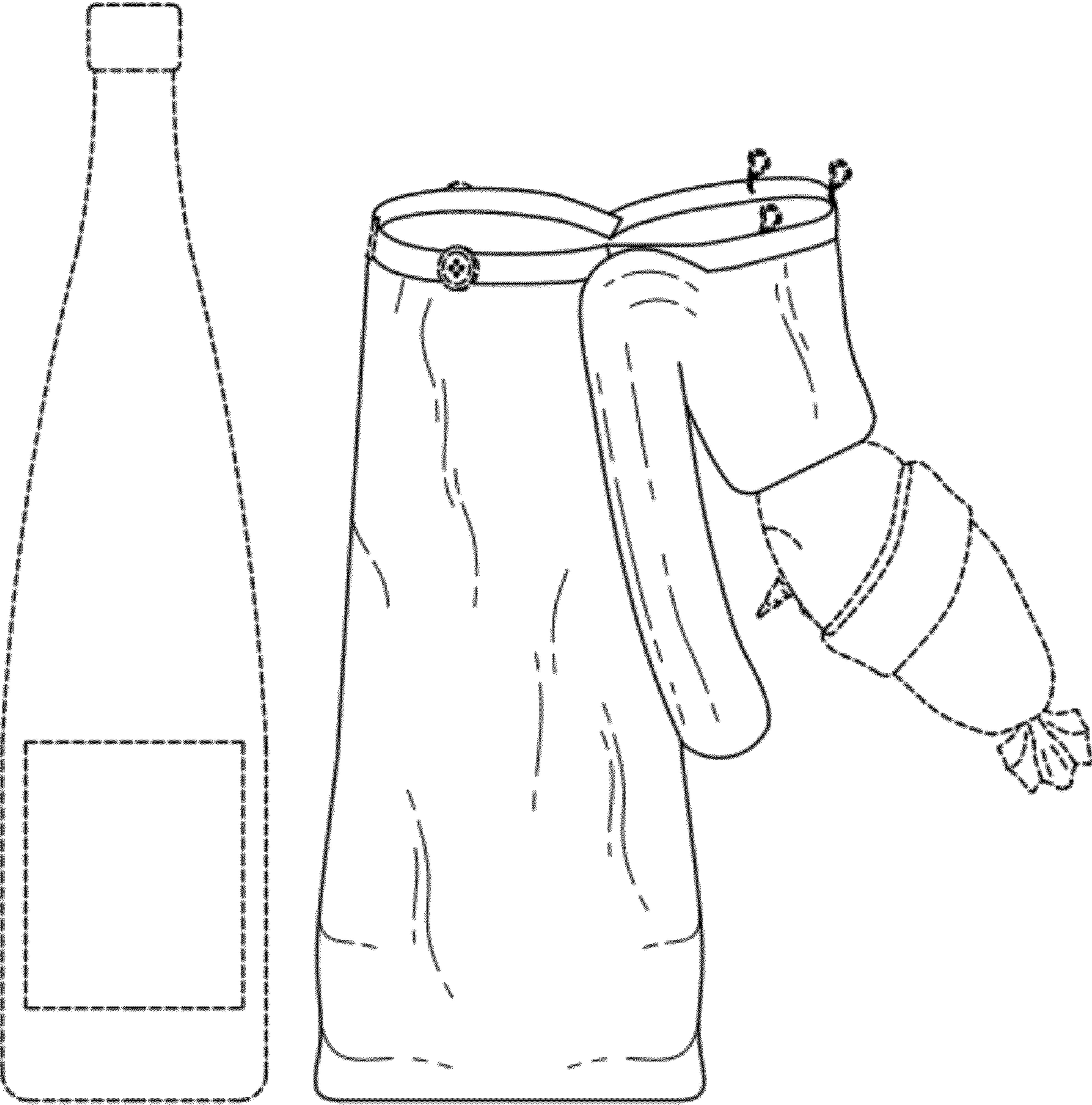


FIG. 9

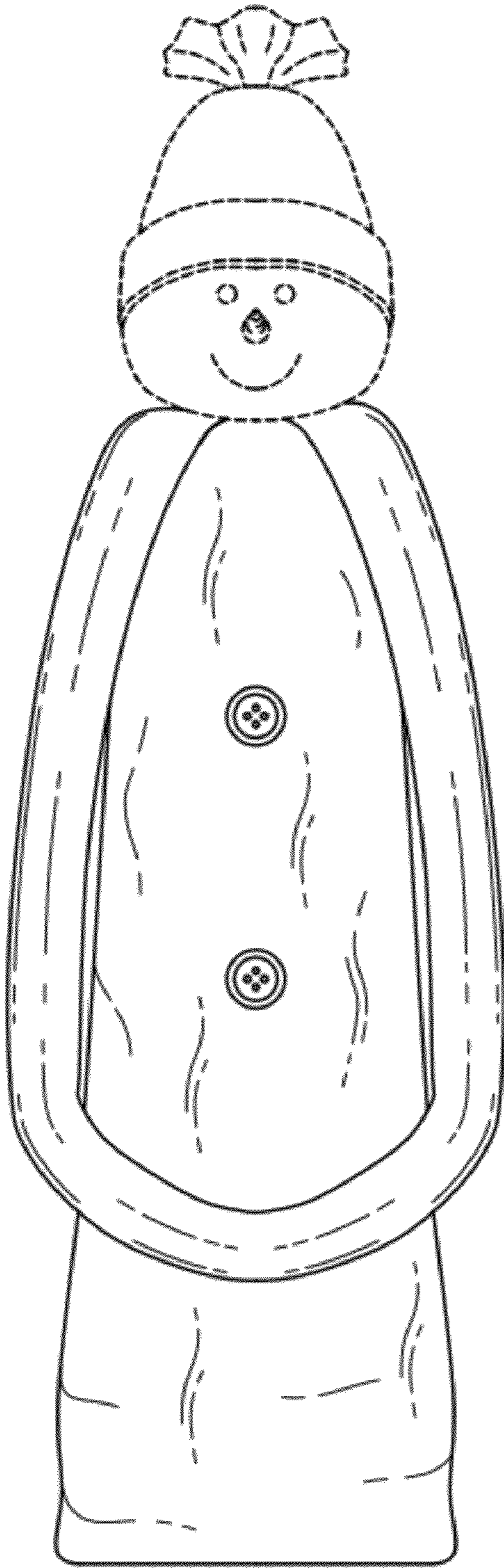


FIG. 10

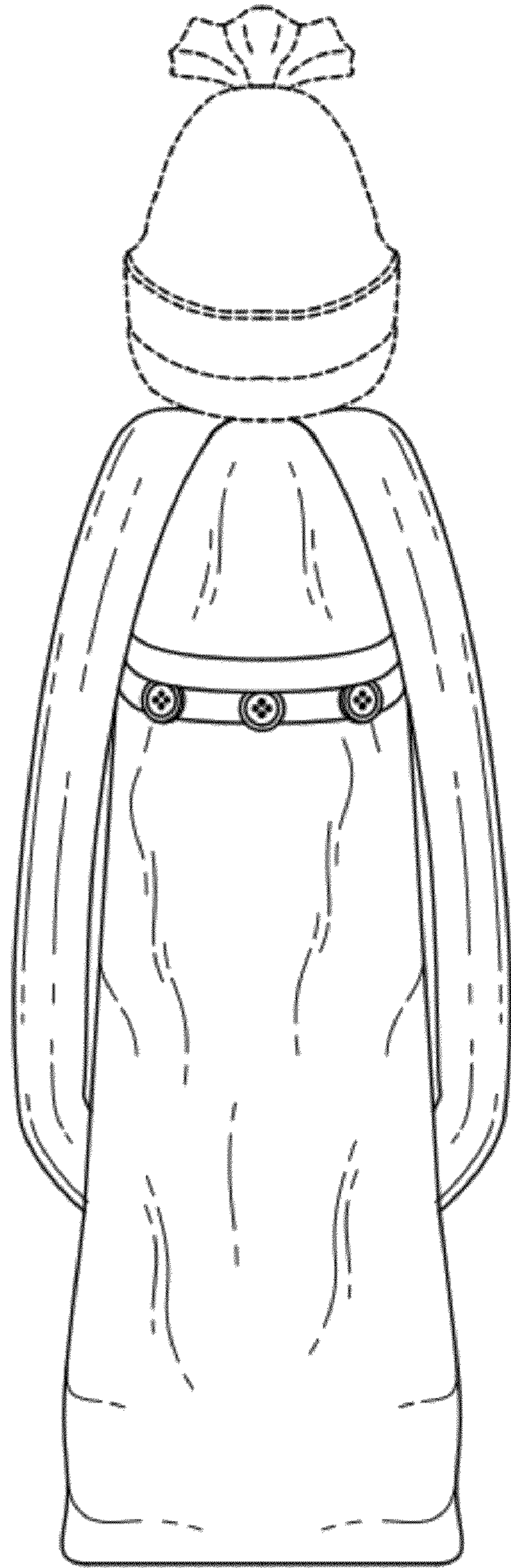


FIG. 11

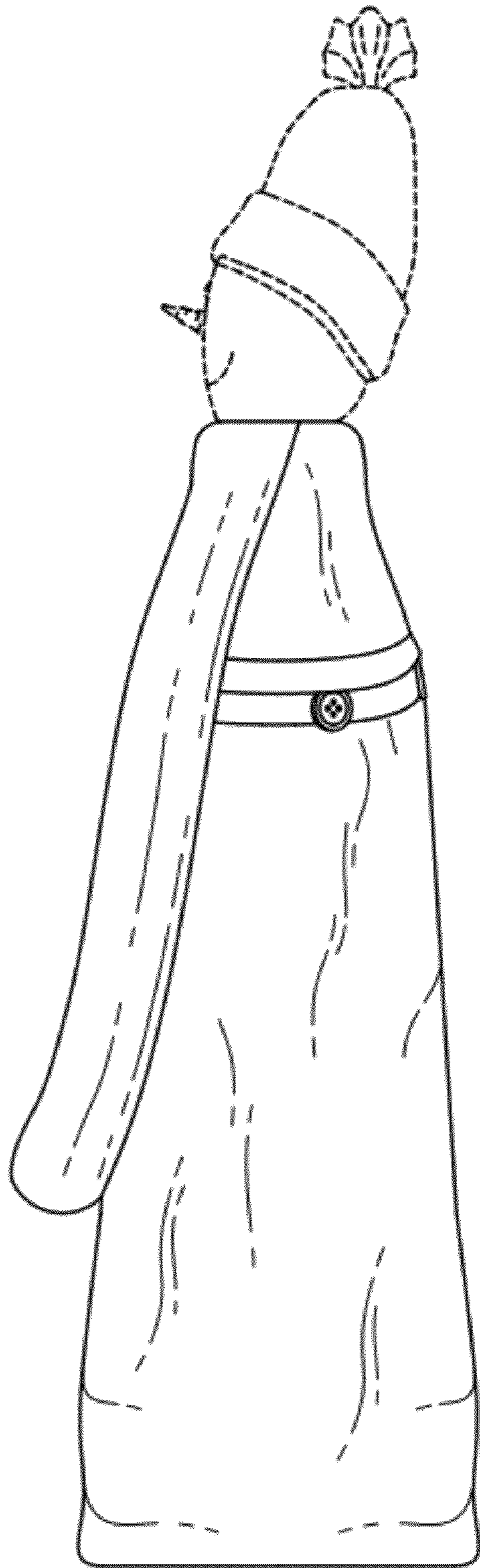


FIG. 12

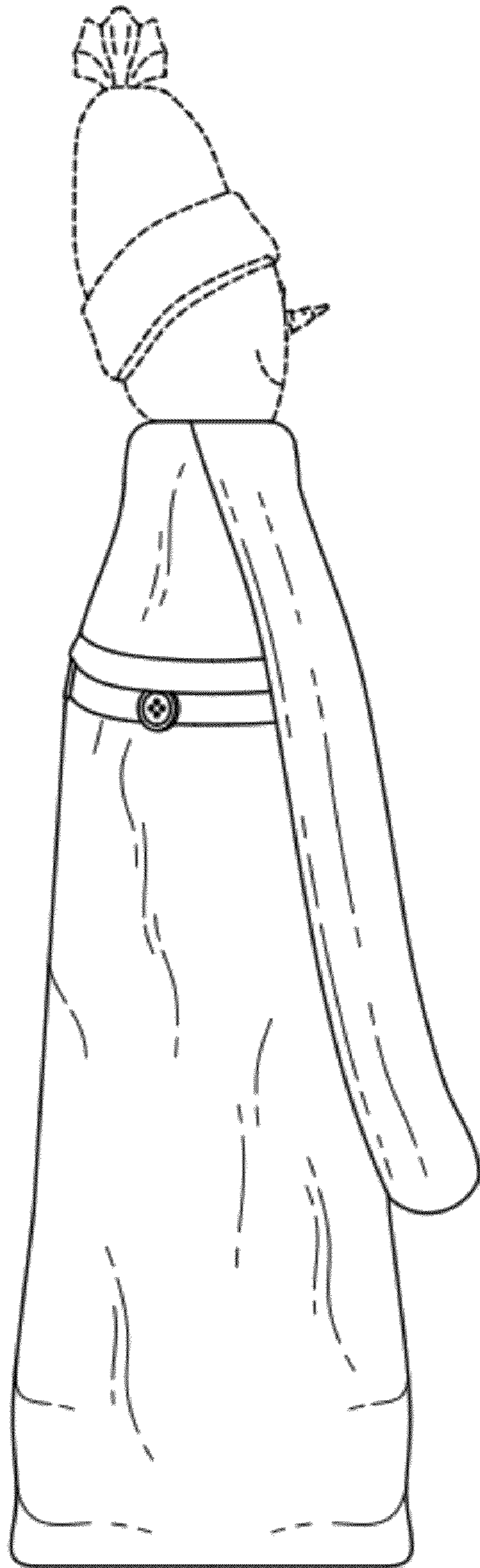


FIG. 13

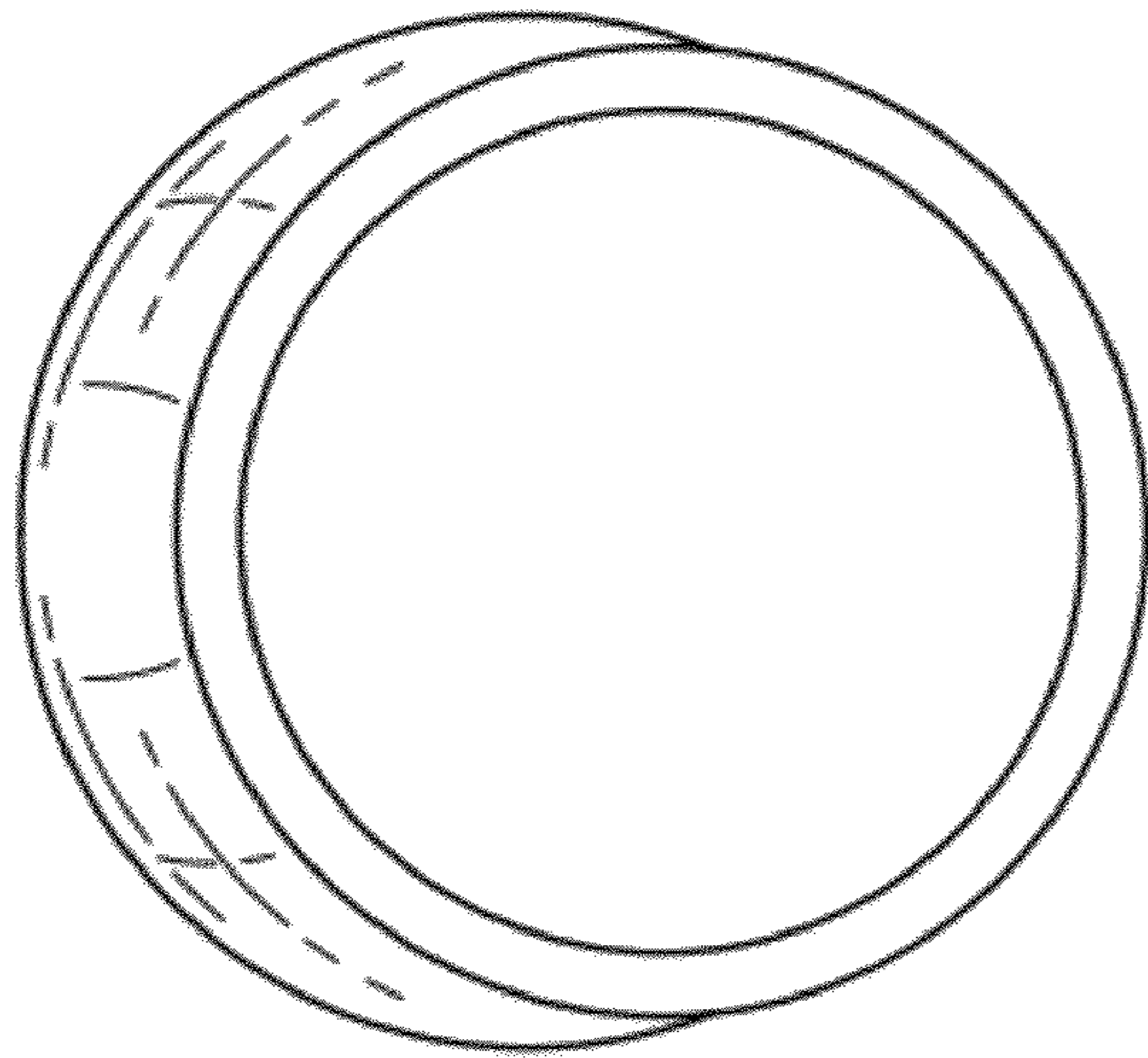


FIG. 14

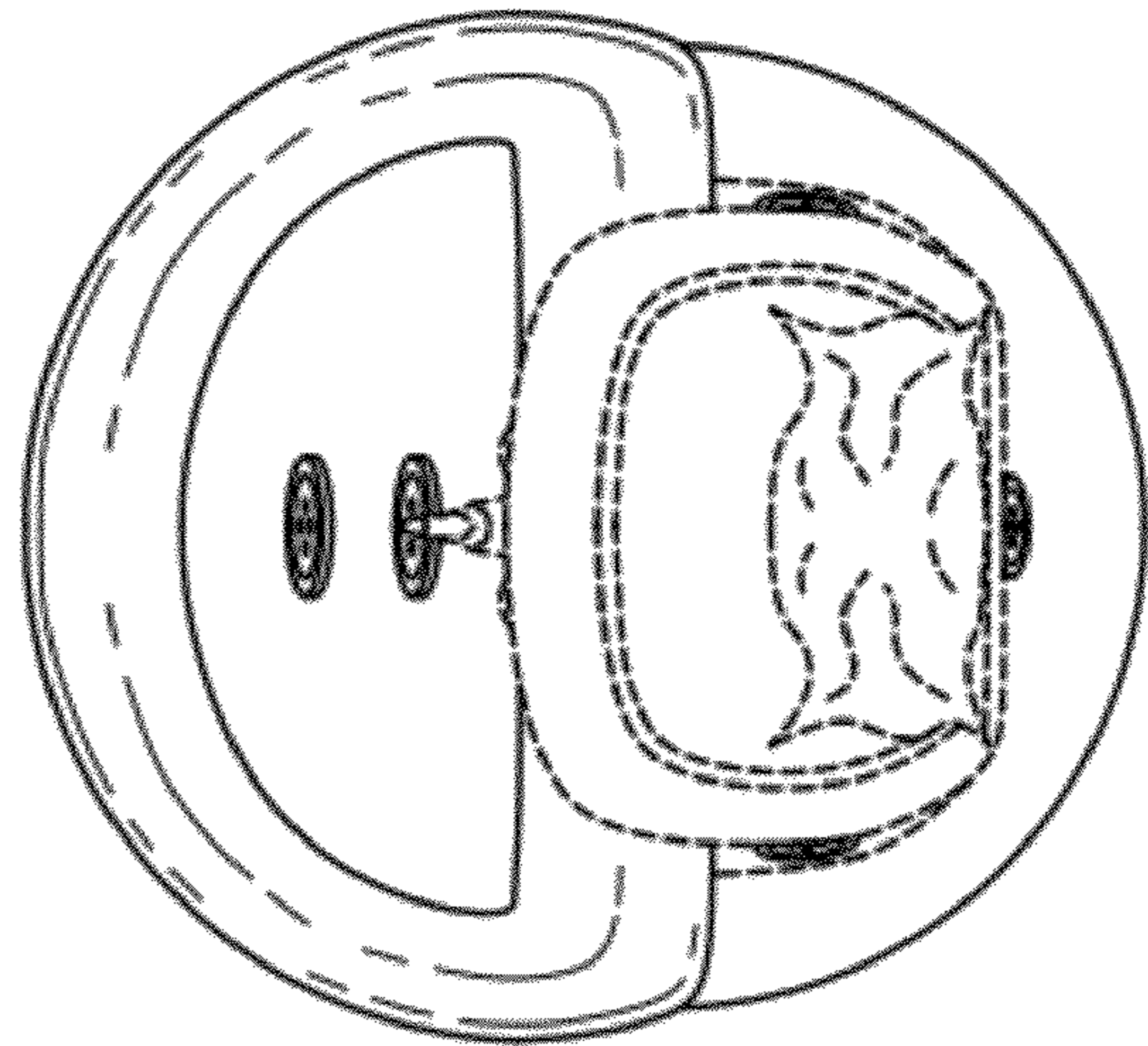


FIG. 15

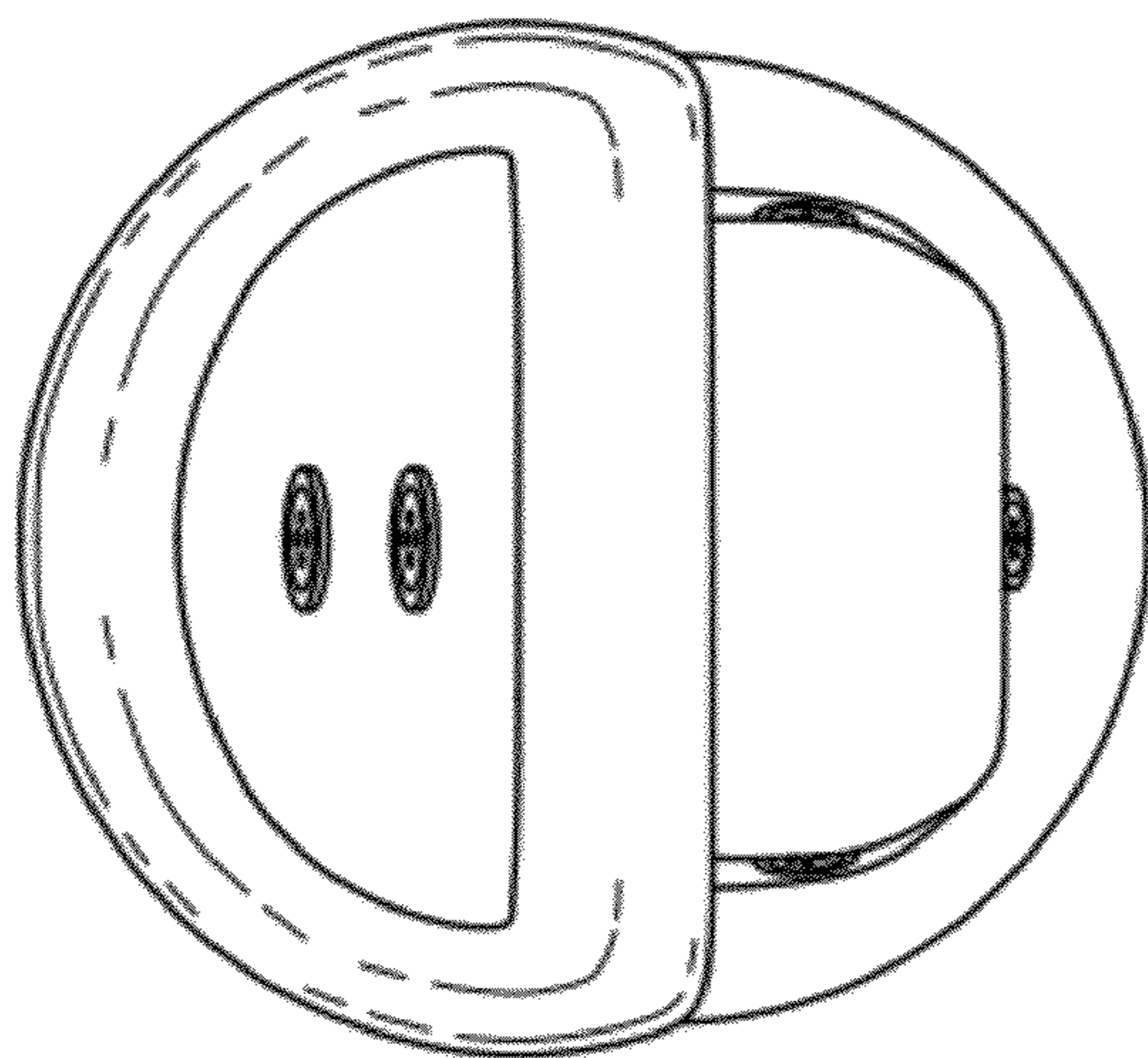


FIG. 16

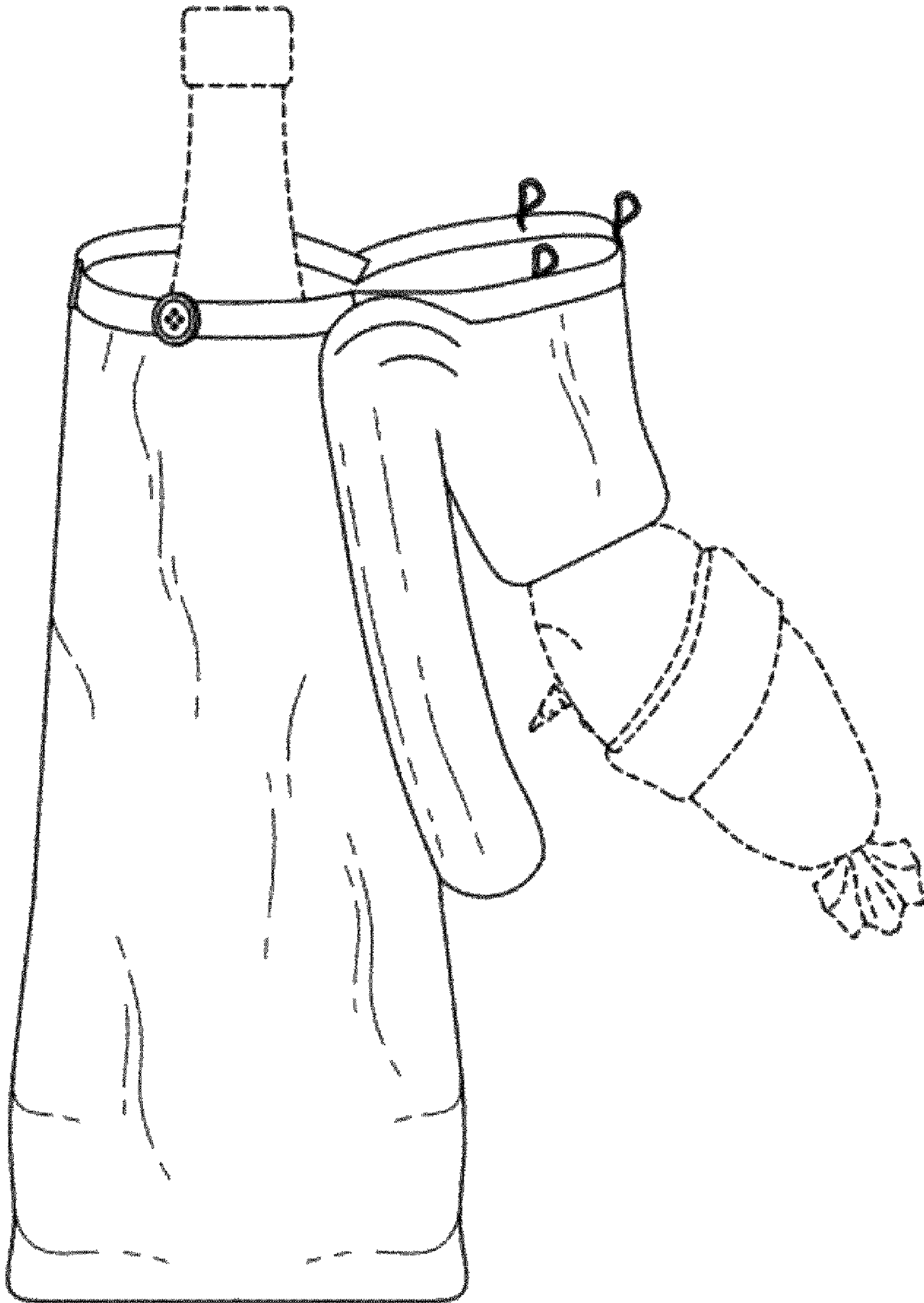


FIG. 17

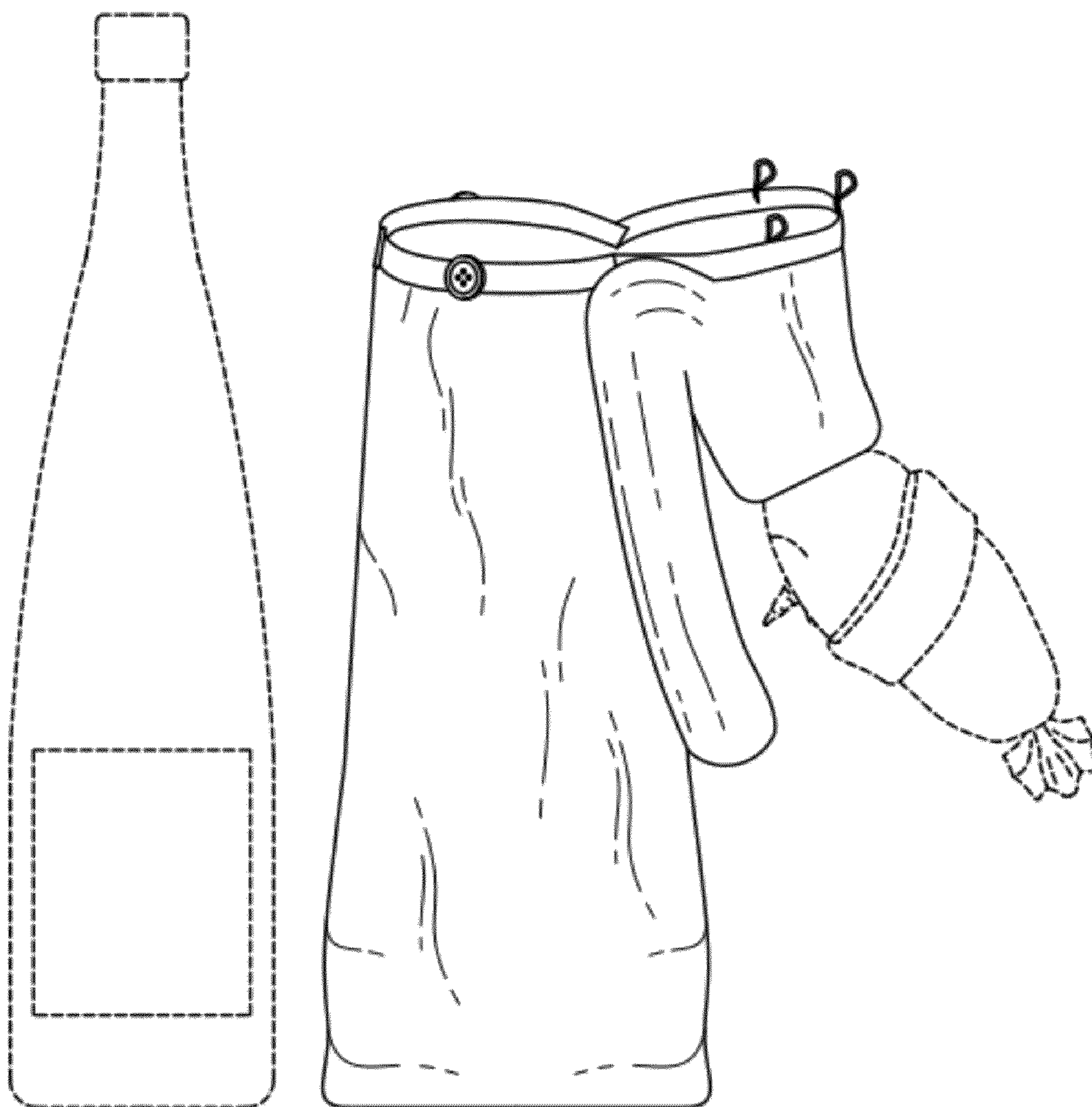


FIG. 18