



US00D657558S

(12) **United States Design Patent**
Cover

(10) **Patent No.:** **US D657,558 S**

(45) **Date of Patent:** **** Apr. 17, 2012**

(54) **TOOL BOX**

(75) **Inventor:** **Scott Cover**, Fullerton, CA (US)

(73) **Assignee:** **Rampage Products, LLC**, Corona, CA (US)

(**) **Term:** **14 Years**

(21) **Appl. No.:** **29/387,384**

(22) **Filed:** **Mar. 11, 2011**

(51) **LOC (9) Cl.** **03-01**

(52) **U.S. Cl.** **D3/270; D3/282; D3/284; D3/297; D3/905; D23/211.1**

(58) **Field of Classification Search** **D3/273, D3/276, 282-284, 294-297, 905, 270, 271.1; D23/211.1; 206/372-379, 349**
See application file for complete search history.

(56) **References Cited**

U.S. PATENT DOCUMENTS

D131,616	S	*	3/1942	Clements et al.	D23/211.1
D133,850	S	*	9/1942	Clements et al.	D23/211.1
D188,260	S	*	6/1960	Ray	D23/211.1
3,188,034	A	*	6/1965	Jackson	248/552
5,301,829	A	*	4/1994	Chrisco	220/521
D355,115	S	*	2/1995	Chrisco	D23/211.1

D426,385	S	*	6/2000	Fang	D3/282
D427,062	S	*	6/2000	Alvarez et al.	D23/211.1
D570,709	S	*	6/2008	Henri, Jr.	D23/211.1
D574,616	S	*	8/2008	Tullney et al.	D3/291
D589,703	S	*	4/2009	Wenchel et al.	D3/273
D606,162	S	*	12/2009	McAvey et al.	D23/211.1
7,866,469	B2	*	1/2011	Fulton	206/372
D636,056	S	*	4/2011	Pritchard	D23/211.1

* cited by examiner

Primary Examiner — Jennifer Rivard

(74) *Attorney, Agent, or Firm* — Christie, Parker & Hale, LLP

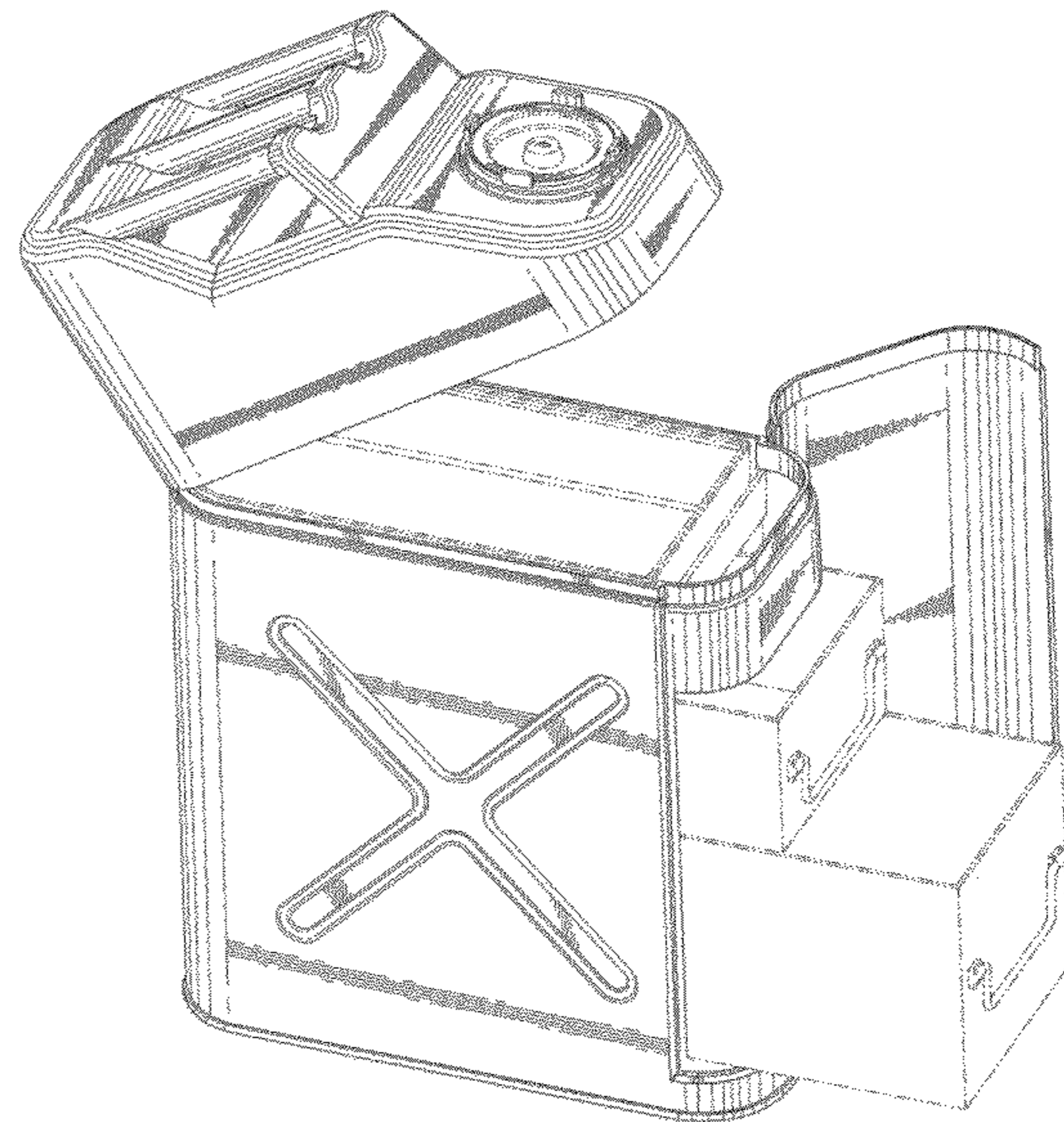
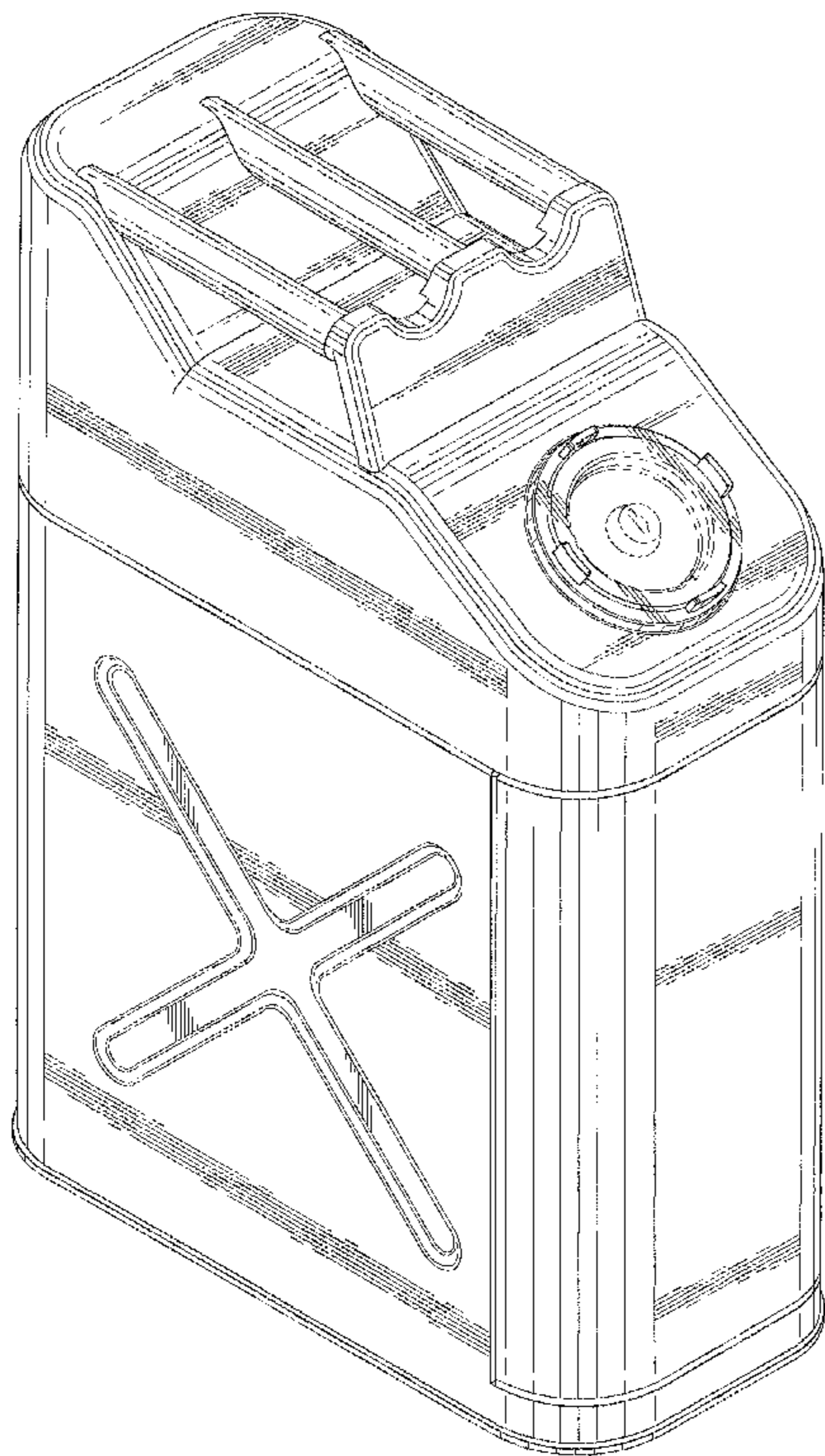
(57) **CLAIM**

The ornamental design for tool box, as shown and described.

DESCRIPTION

FIG. 1 is a perspective view of my design;
FIG. 2 is a left side view of my design;
FIG. 3 is a front view of my design;
FIG. 4 is a right side view of my design;
FIG. 5 is a back view of my design;
FIG. 6 is a top view of my design;
FIG. 7 is a bottom view of my design; and,
FIG. 8 is a perspective view illustrating the top and front door of my tool box design in the open position.
The phantom lines showing of environment are for illustrative purposes only and form no part of the claimed design.

1 Claim, 7 Drawing Sheets



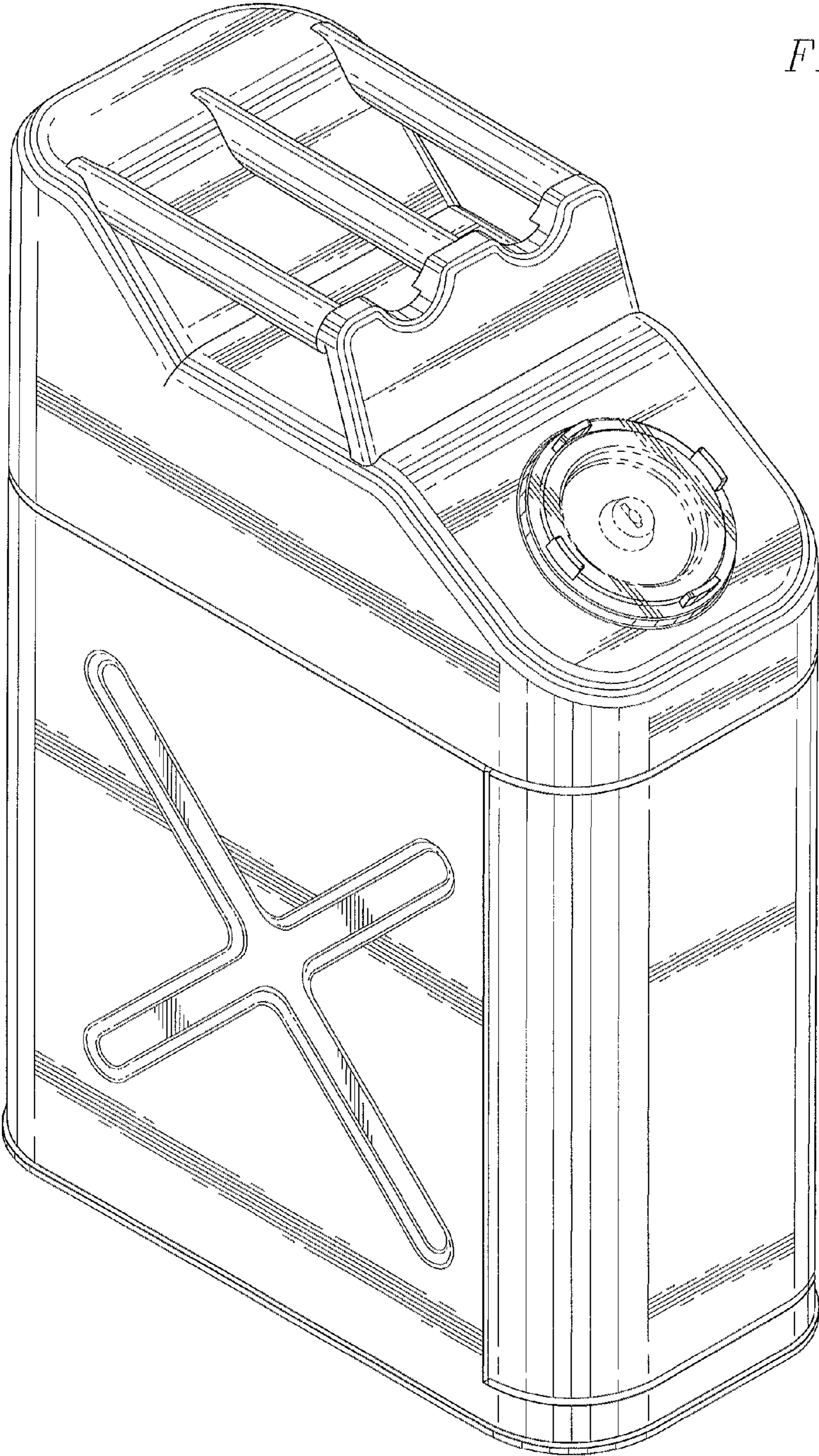
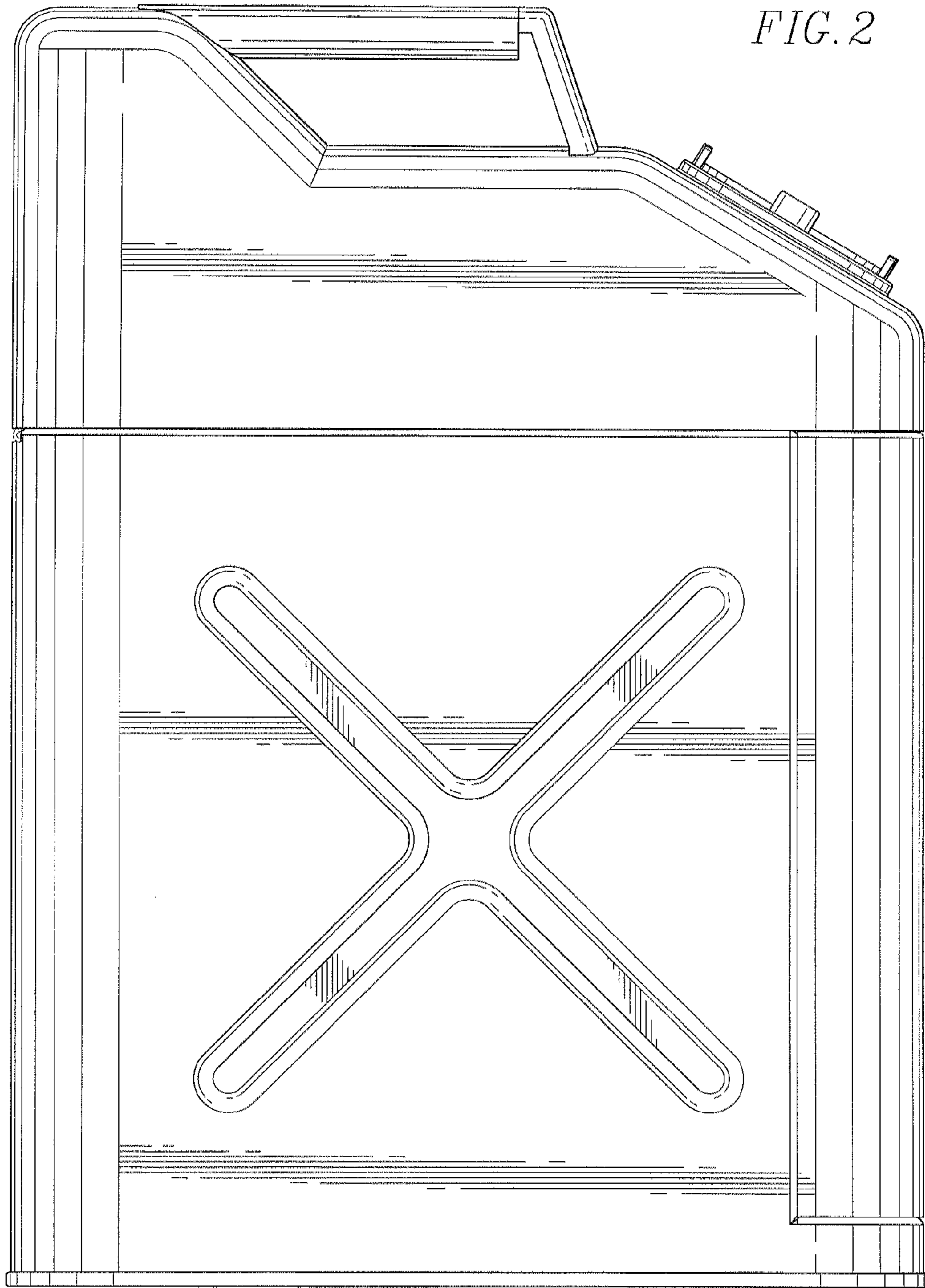


FIG. 1



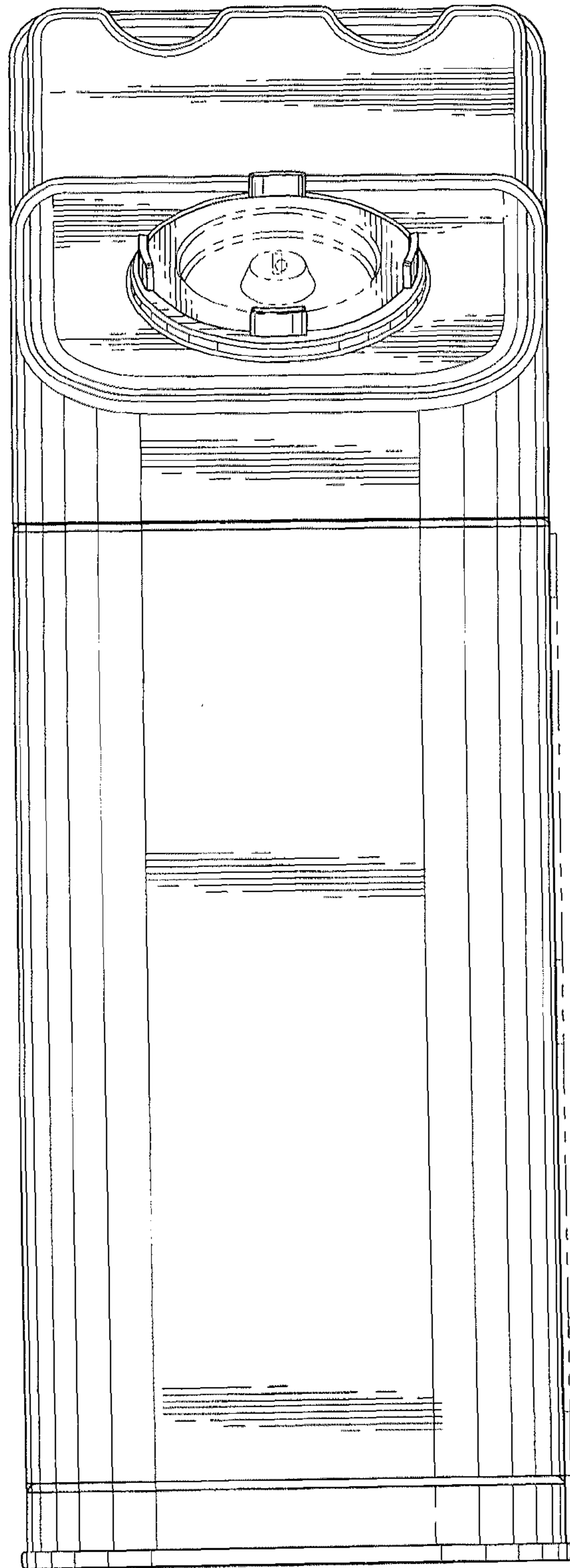
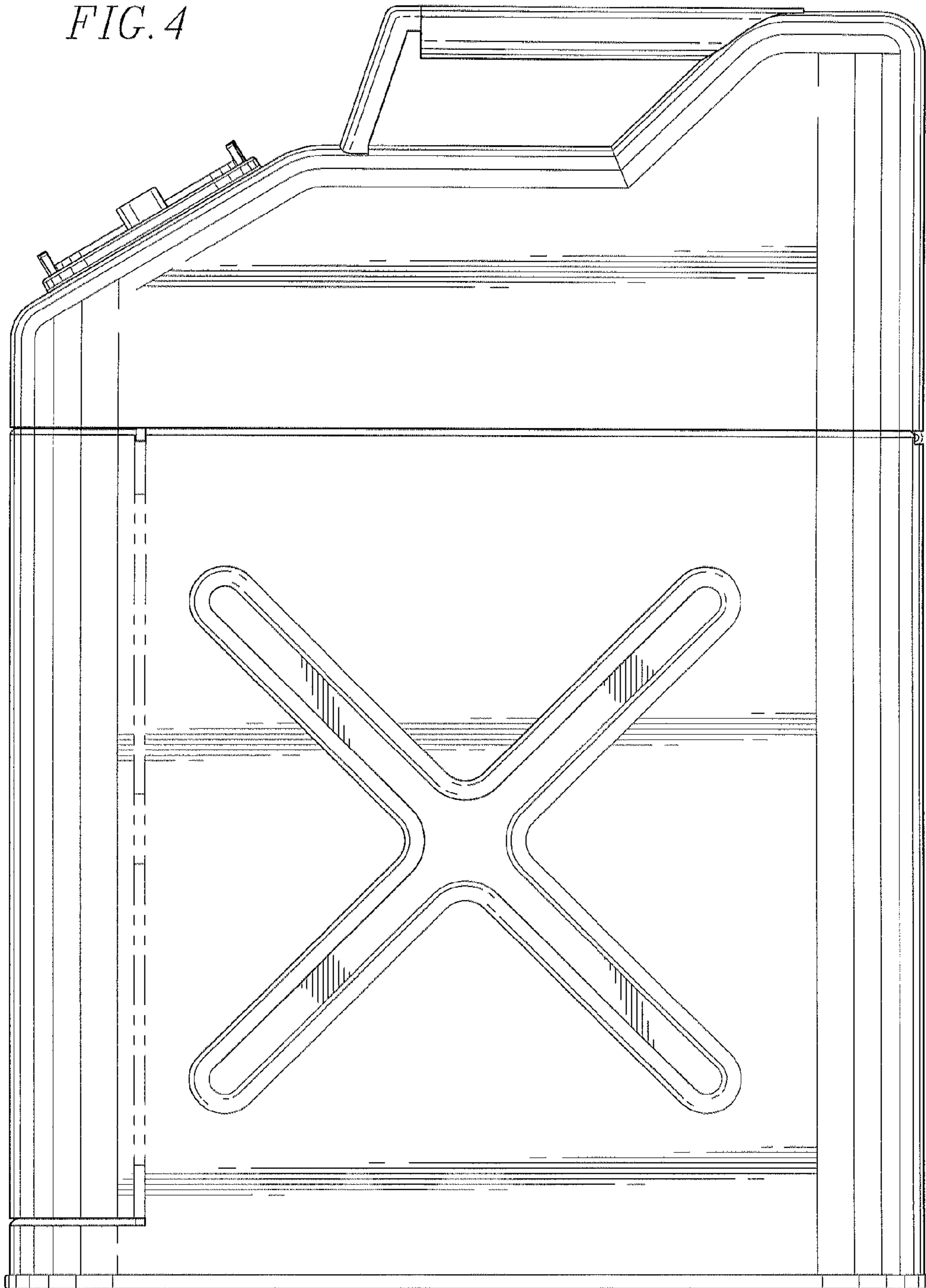


FIG. 3

FIG. 4



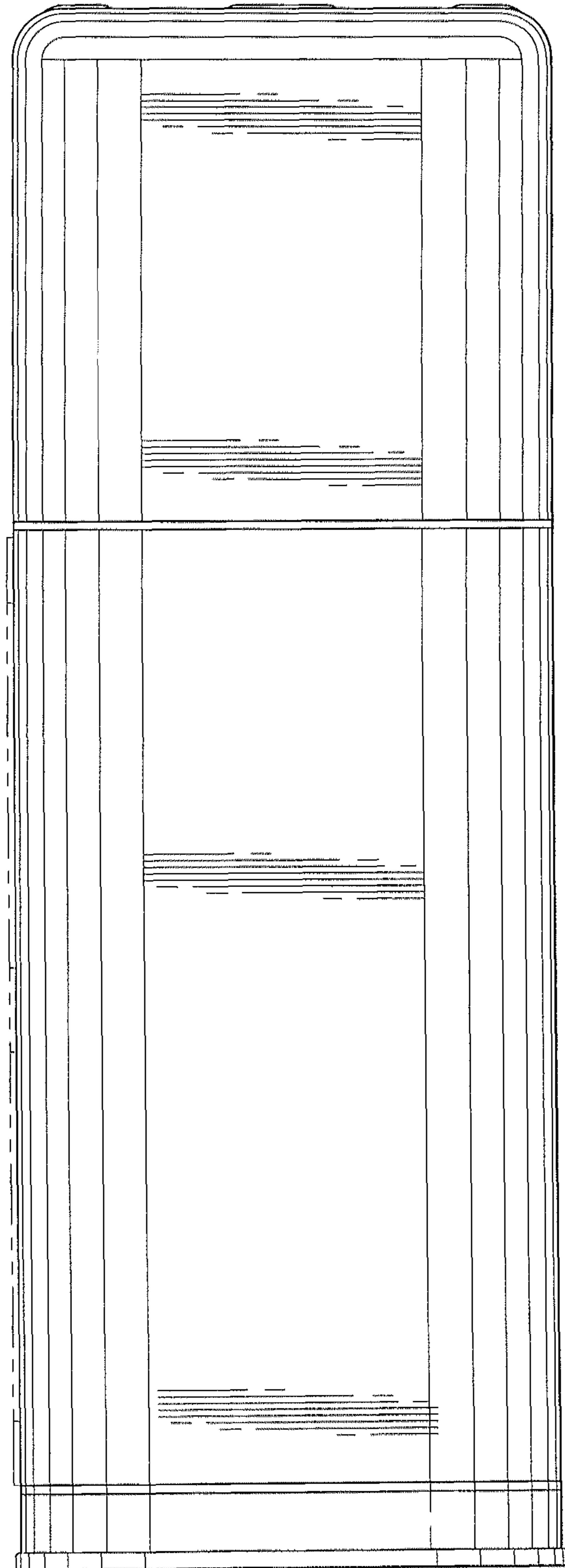


FIG. 5

FIG. 6

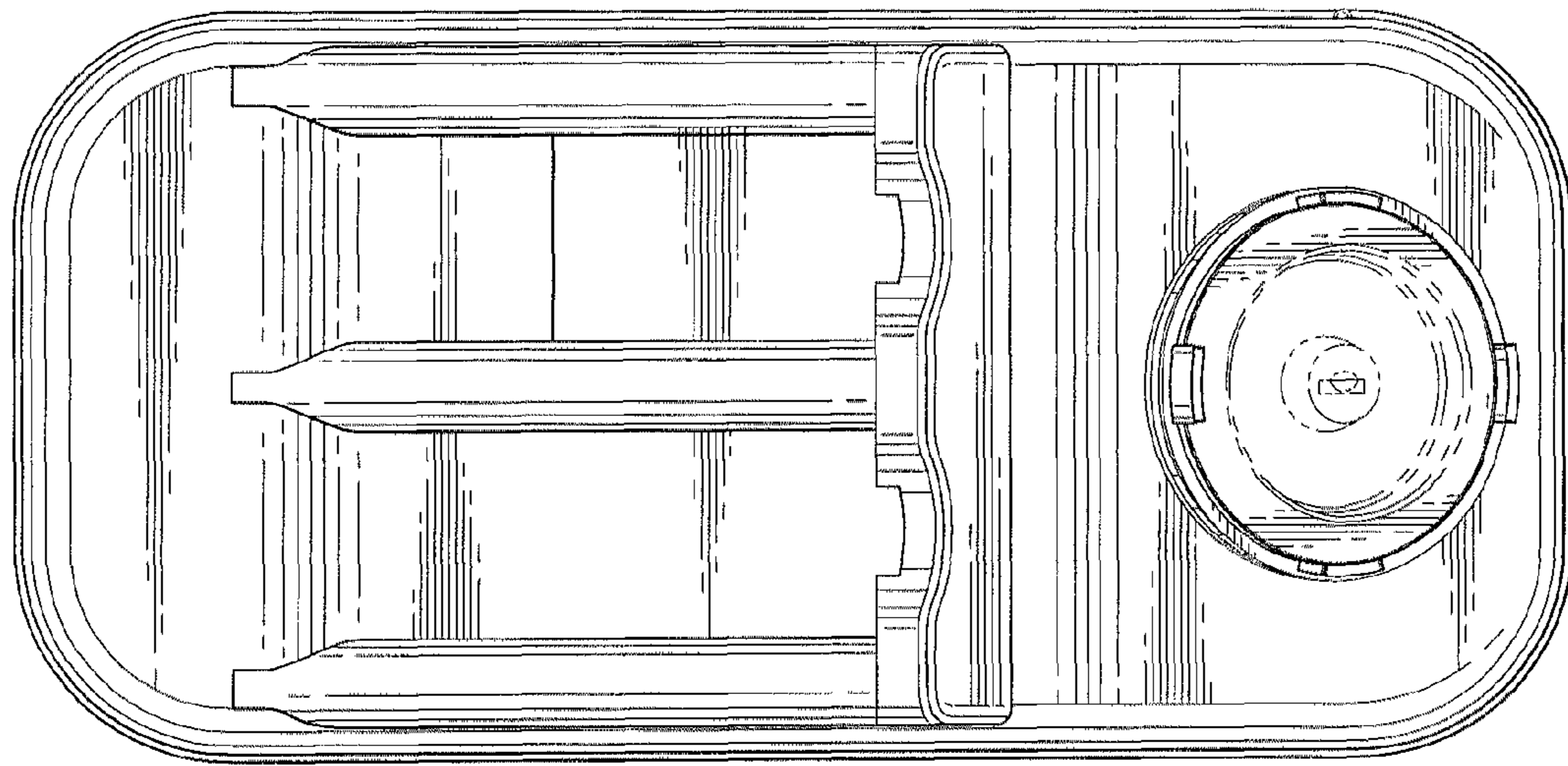


FIG. 7

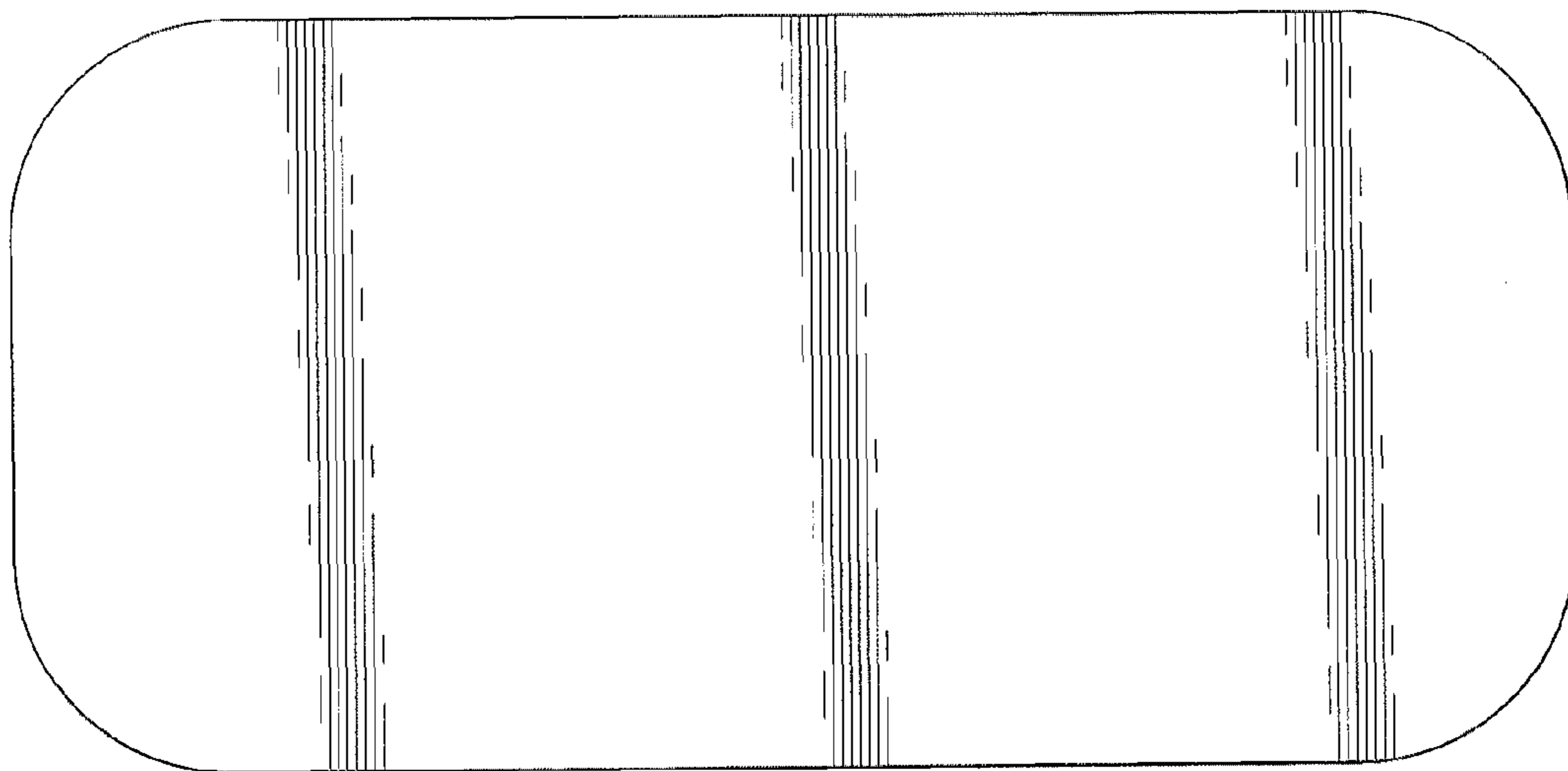


FIG. 8

