

US00D657556S

(12) **United States Design Patent**
Guyon et al.

(10) **Patent No.:** **US D657,556 S**
(45) **Date of Patent:** **** Apr. 17, 2012**

(54) **HANDBAG**

(75) Inventors: **Isabelle Guyon**, Paris (FR); **Sophie Delafontaine**, Versailles (FR); **Philippe Cassegrain**, Paris (FR)

(73) Assignee: **S.A.S. Jean Cassegrain**, Paris (FR)

(**) Term: **14 Years**

(21) Appl. No.: **29/393,668**

(22) Filed: **Jun. 8, 2011**

(30) **Foreign Application Priority Data**

Jan. 5, 2011 (EM) 001801507

(51) **LOC (9) Cl.** **03-01**

(52) **U.S. Cl.** **D3/243**

(58) **Field of Classification Search** D3/232-233,
D3/240-245, 318; 150/100, 103-110, 113-114,
150/118-119

See application file for complete search history.

(56) **References Cited**

U.S. PATENT DOCUMENTS

D264,019 S *	4/1982	Schimmel	D3/243
D451,669 S	12/2001	Guyon		
D490,976 S	6/2004	Delafontaine		
D534,350 S	1/2007	Guyon		
D535,474 S	1/2007	Guyon		
D539,535 S	4/2007	Guyon		
D539,536 S	4/2007	Guyon		
D570,107 S	6/2008	Guyon et al.		

D591,504 S *	5/2009	Hermann	D3/243
D609,907 S	2/2010	Guyon et al.		
D618,457 S	6/2010	Guyon et al.		
D628,380 S	12/2010	Guyon et al.		
D634,119 S	3/2011	Guyon et al.		
D634,928 S	3/2011	Guyon et al.		
D635,356 S	4/2011	Guyon et al.		
D635,358 S	4/2011	Guyon et al.		

OTHER PUBLICATIONS

“Collection Printemps”, Longchamp, Paris, 2011.
“Collection Automne”, Longchamp, Paris, 2011.

* cited by examiner

Primary Examiner — Holly Baynham

(74) *Attorney, Agent, or Firm* — Gottlieb, Rackman & Reisman, P.C.

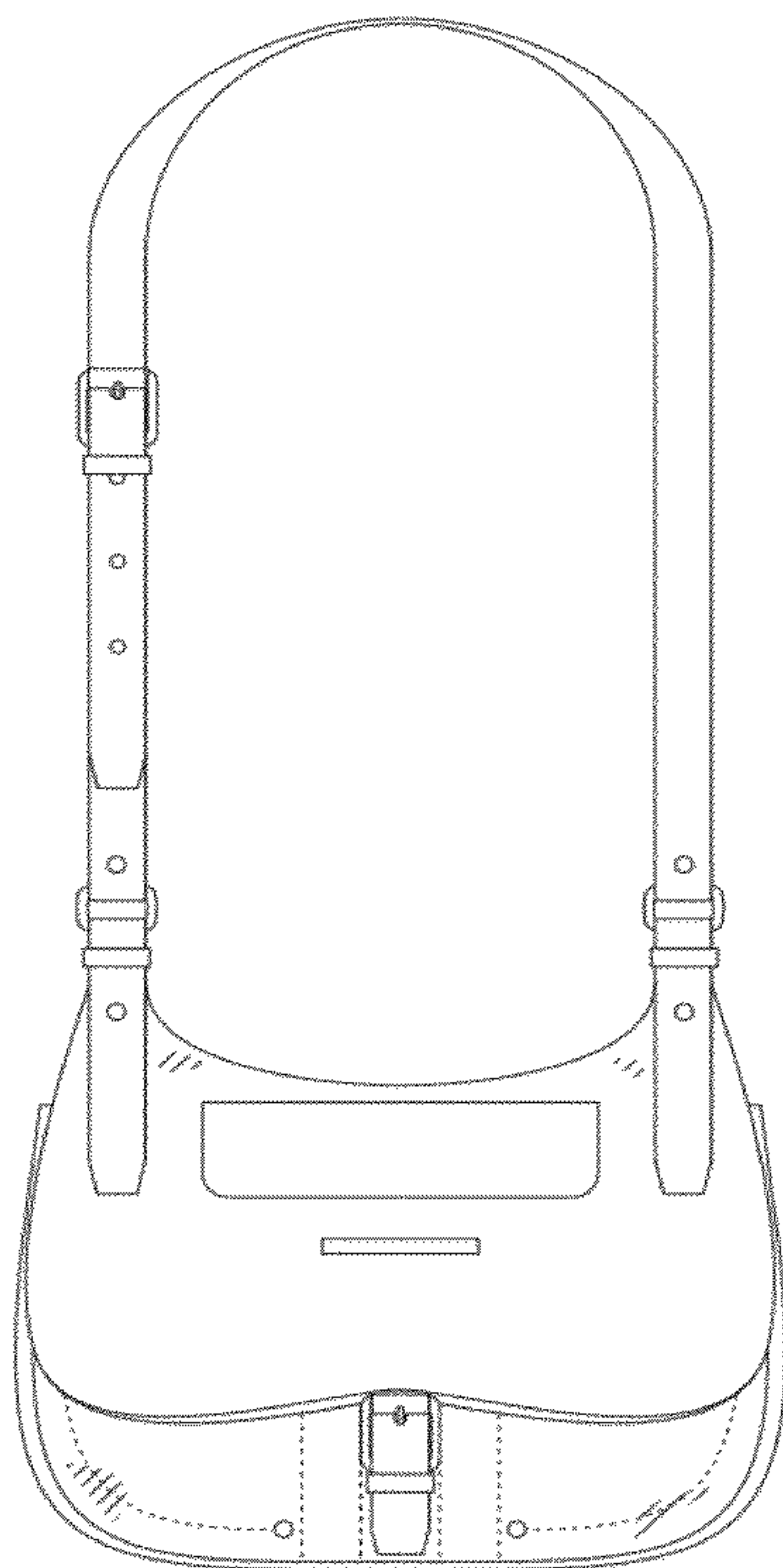
(57) **CLAIM**

The ornamental design for a handbag, as shown and described.

DESCRIPTION

FIG. 1 is a front elevational view of the handbag showing our new design;
FIG. 2 is a bottom plan view thereof;
FIG. 3 is a rear elevational view thereof;
FIG. 4 is a top plan view thereof;
FIG. 5 is a left side elevational view thereof; and,
FIG. 6 is a right side elevational view thereof.
The broken lines in FIGS. 1-2 and 4-6 show the stitching and are part of the claimed design.

1 Claim, 3 Drawing Sheets



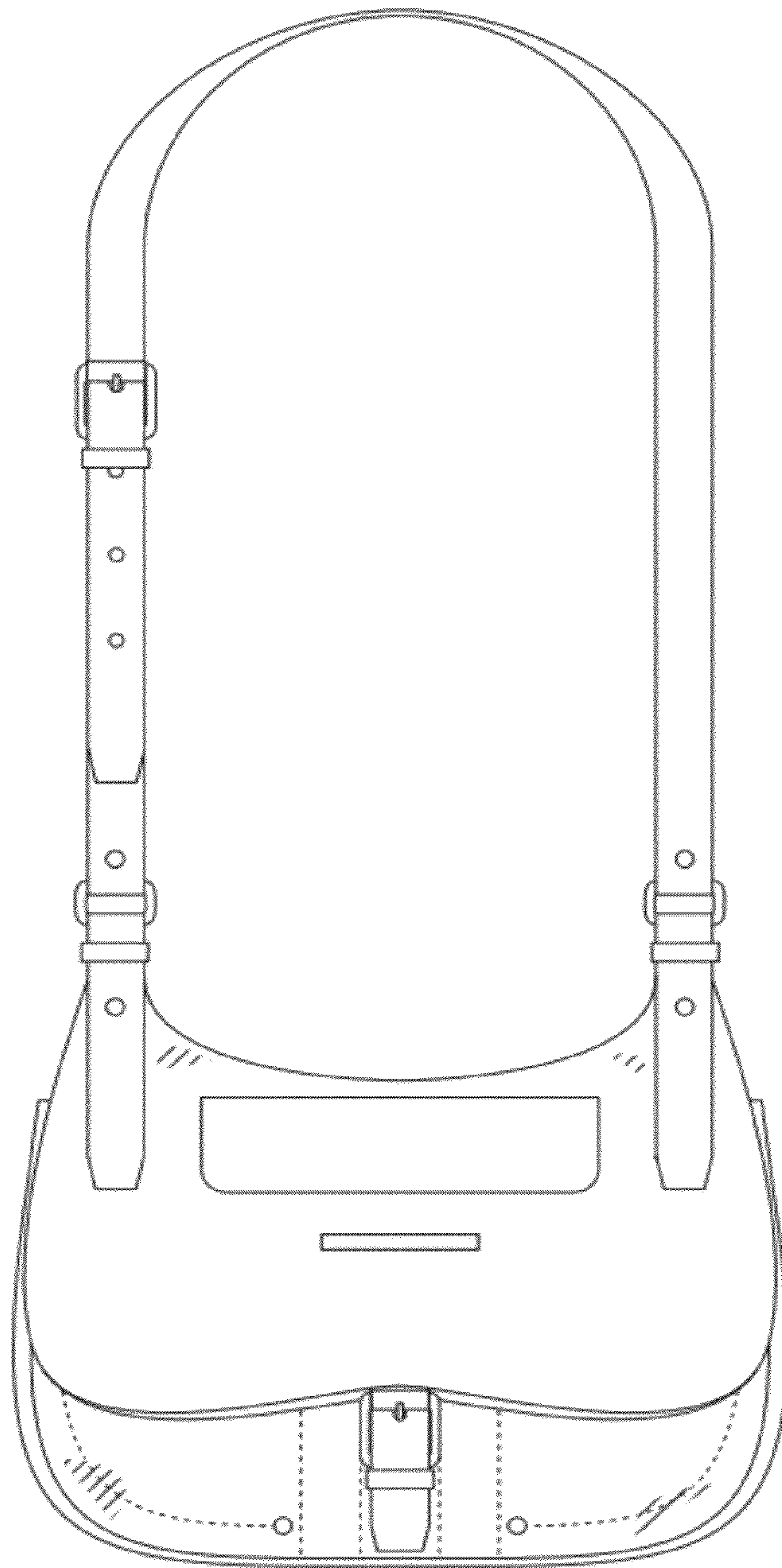


Fig. 1

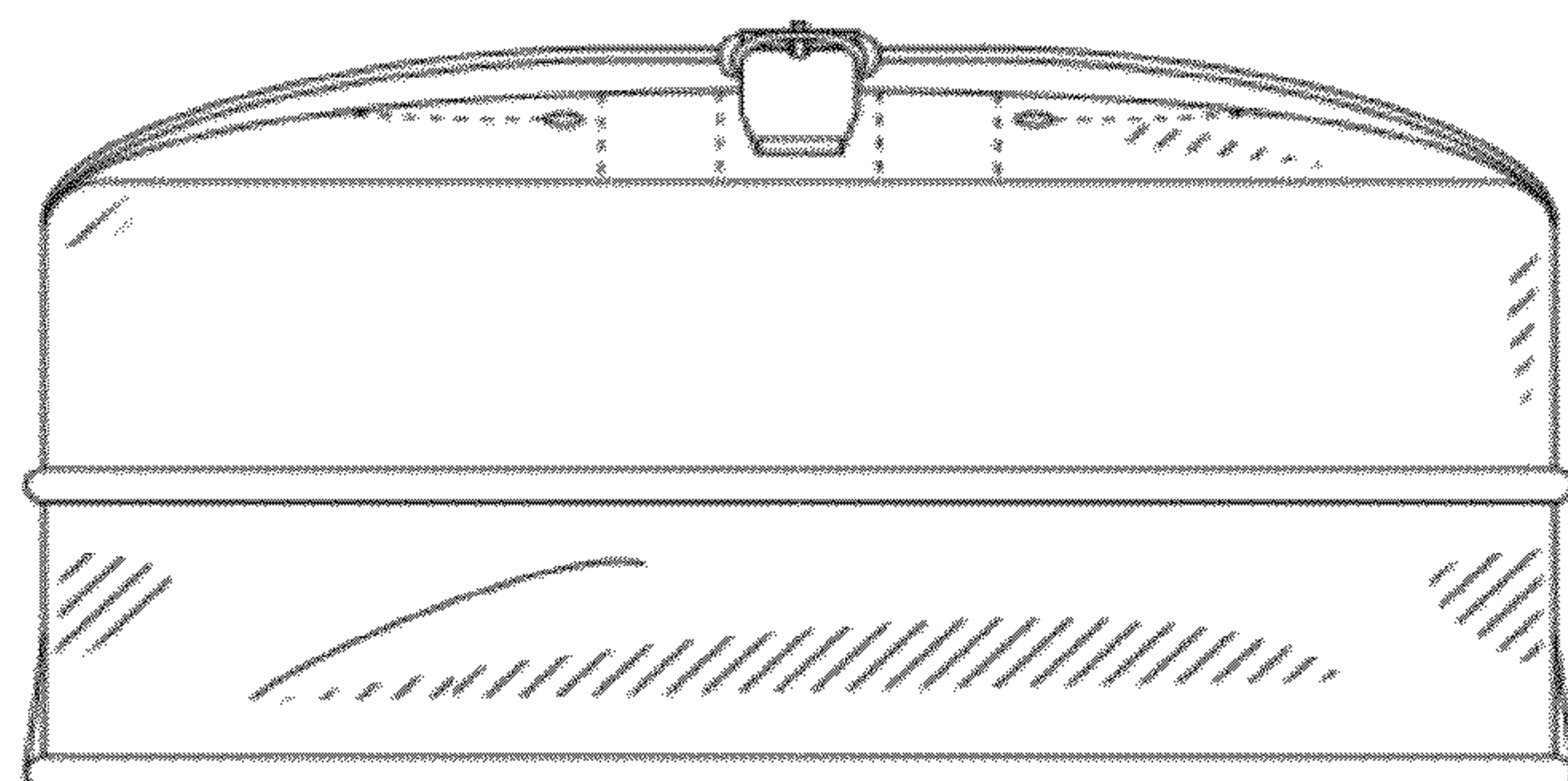


Fig. 2

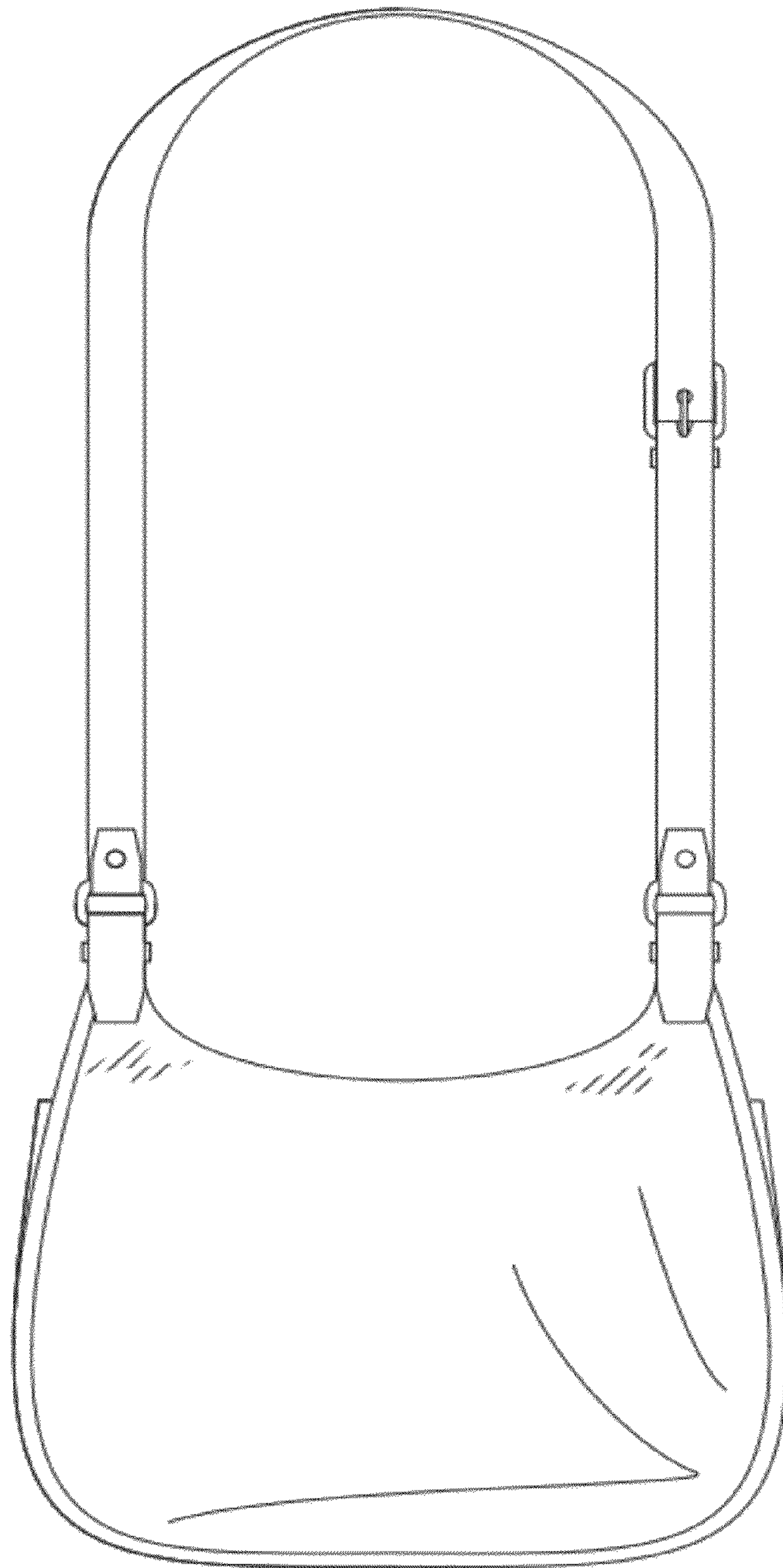


Fig. 3

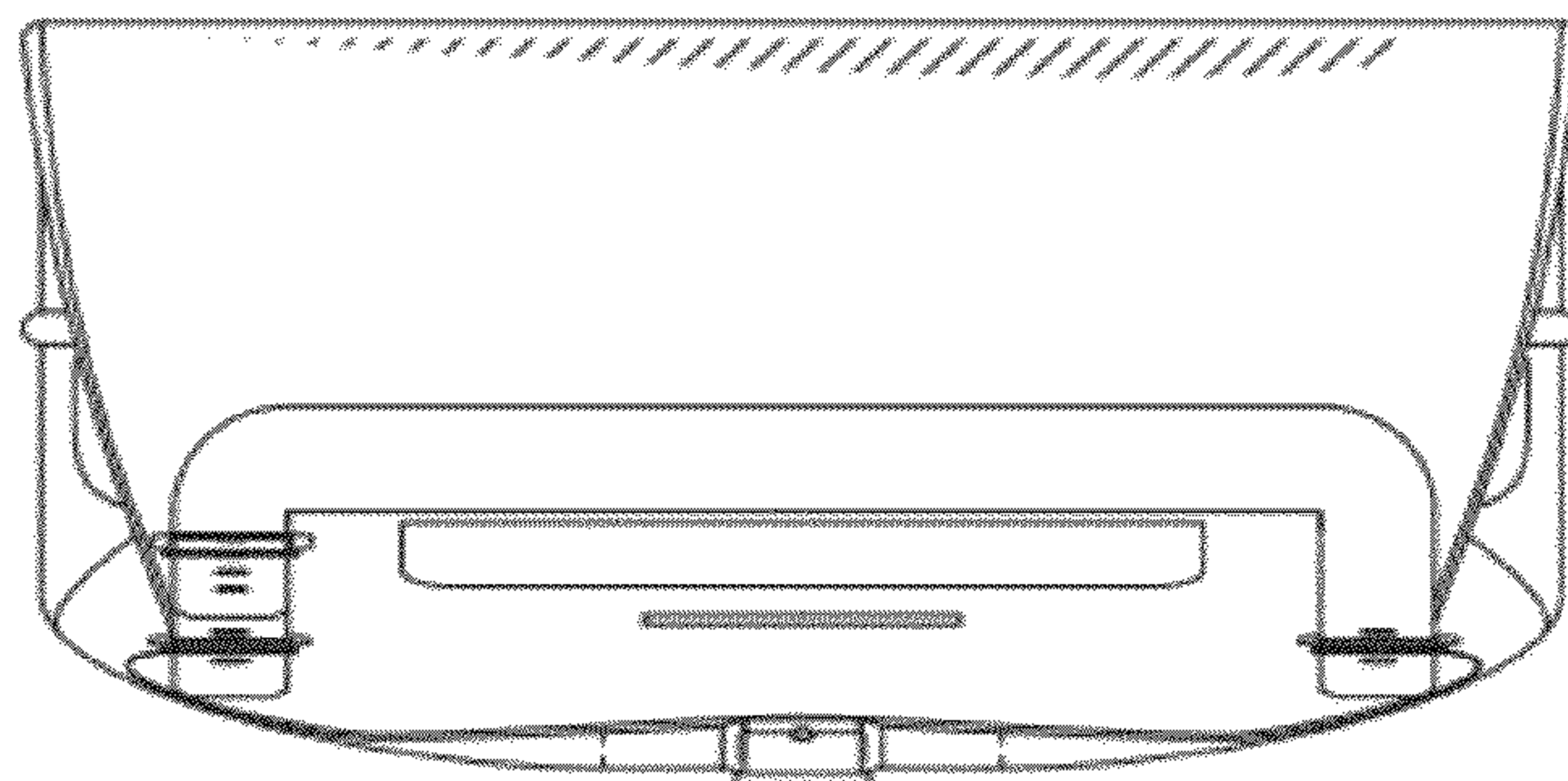


Fig. 4

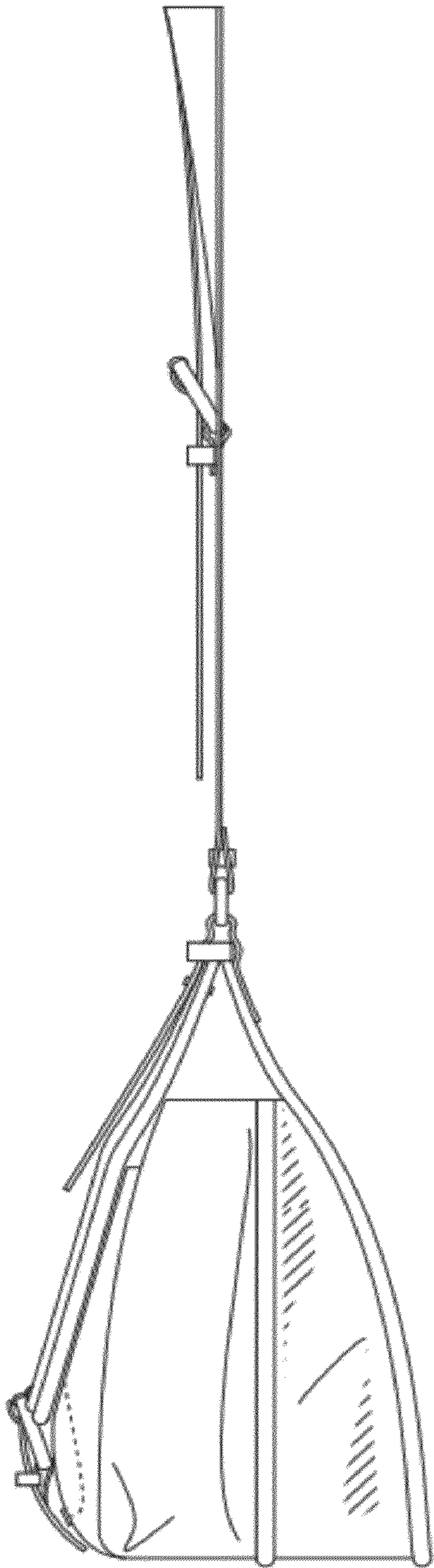


Fig. 5

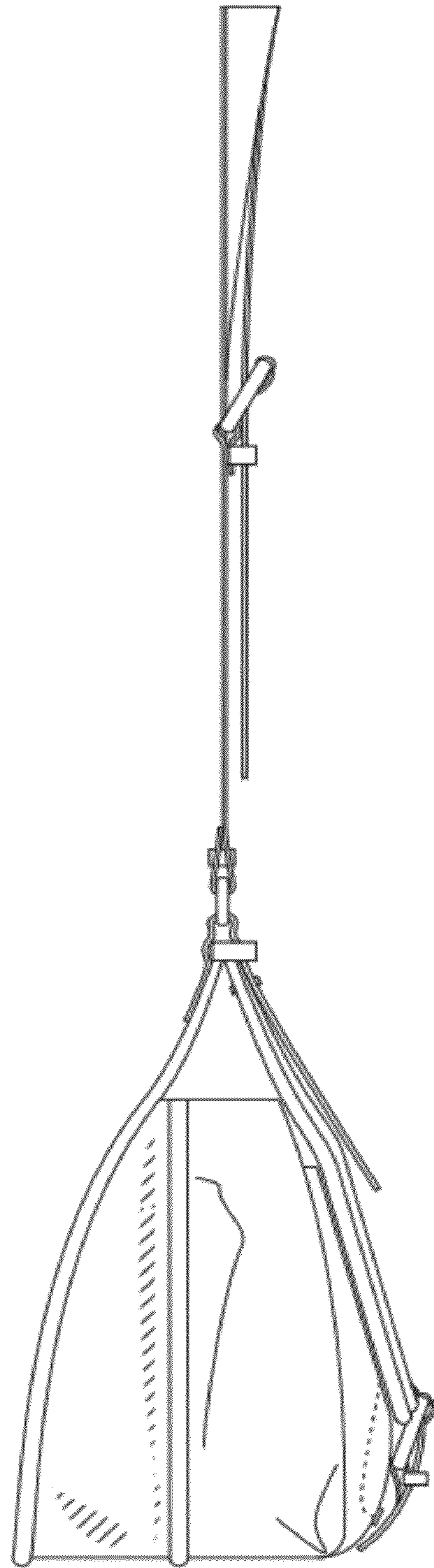


Fig. 6