



US00D657551S

(12) **United States Design Patent**
Lynn

(10) **Patent No.:** **US D657,551 S**
(45) **Date of Patent:** **** Apr. 17, 2012**

(54) **HANDLE FOR PEPPER-SPRAY HOLSTER**

(74) *Attorney, Agent, or Firm* — Warren M. Pate, LLC

(76) Inventor: **Jason R. Lynn**, Layton, UT (US)

(57) **CLAIM**

The ornamental design for a handle for pepper-spray holster, as shown and described.

(**) Term: **14 Years**

(21) Appl. No.: **29/396,156**

DESCRIPTION

(22) Filed: **Jun. 27, 2011**

(51) **LOC (9) Cl.** **03-01**

(52) **U.S. Cl.** **D3/215; D3/203.1**

(58) **Field of Classification Search** D3/215,
D3/201–205, 226, 228–229, 207–212; 224/249,
224/240, 245, 251, 911; 222/175, 183, 192,
222/39, 153.11; 2/160, 163; 294/149
See application file for complete search history.

FIG. 1 is a perspective view of a handle for pepper-spray holster in accordance with my new design;
FIG. 2 is a side elevation view of the design of FIG. 1;
FIG. 3 is an opposite side elevation view of the design of FIG. 1;
FIG. 4 is a front elevation view of the design of FIG. 1;
FIG. 5 is a rear elevation view of the design of FIG. 1;
FIG. 6 is a bottom plan view of the design of FIG. 1;
FIG. 7 is a top plan view of the design of FIG. 1;
FIG. 8 is a perspective view of the design of FIG. 1 applied to an exemplary pepper-spray holster and associated pepper-spray canister;
FIG. 9 is a side elevation view of the design, holster, and canister of FIG. 8;
FIG. 10 is an opposite side elevation view of the design, holster, and canister of FIG. 8;
FIG. 11 is a front elevation view of the design, holster, and canister of FIG. 8;
FIG. 12 is a rear elevation view of the design, holster, and canister of FIG. 8;
FIG. 13 is a bottom plan view of the design, holster, and canister of FIG. 8; and,
FIG. 14 is a top plan view of the design, holster, and canister of FIG. 8.

(56) **References Cited**

U.S. PATENT DOCUMENTS

4,463,879	A *	8/1984	Des Voignes	222/175
4,477,005	A *	10/1984	Martinez	224/218
5,058,885	A	10/1991	Brant		
5,088,121	A	2/1992	Wallace		
5,318,492	A	6/1994	Quinn		
5,325,997	A *	7/1994	Washington et al.	222/175
5,556,003	A *	9/1996	Johnson et al.	222/39
5,570,817	A *	11/1996	Anderson et al.	222/153.11
5,875,945	A	3/1999	Roach		
5,971,240	A	10/1999	Dequaine		
D503,039	S *	3/2005	Cook et al.	D3/229

OTHER PUBLICATIONS

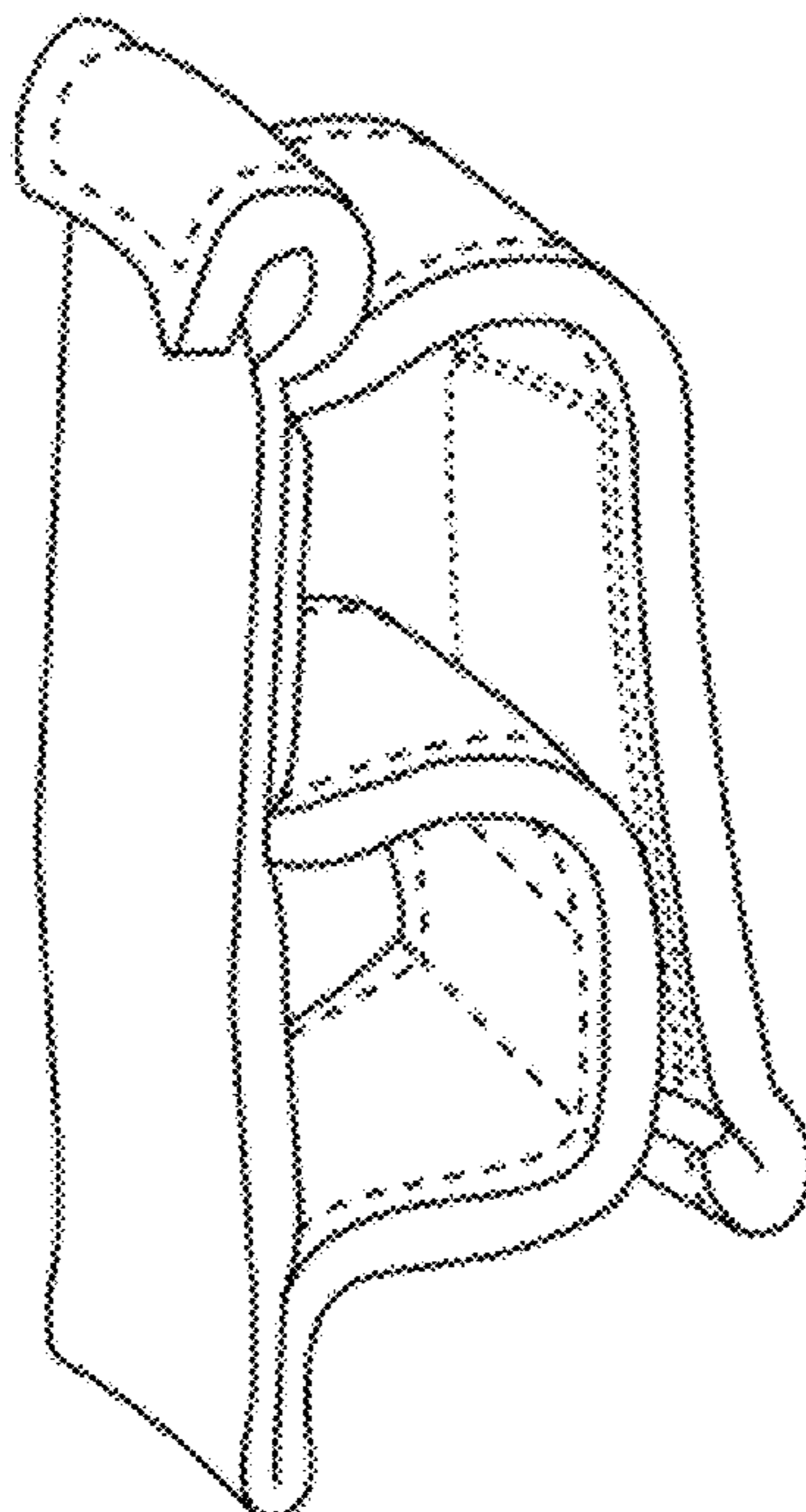
Pepper Spray and More, Pepper Spray, Inc., <http://www.peppersprayinc.com>, accessed May 18, 2011.

* cited by examiner

The broken lines shown in the drawings (including those representing stitching) do not form part of the claimed design and are include only to provide environmental context.

Primary Examiner — Catheri Oliver

1 Claim, 8 Drawing Sheets



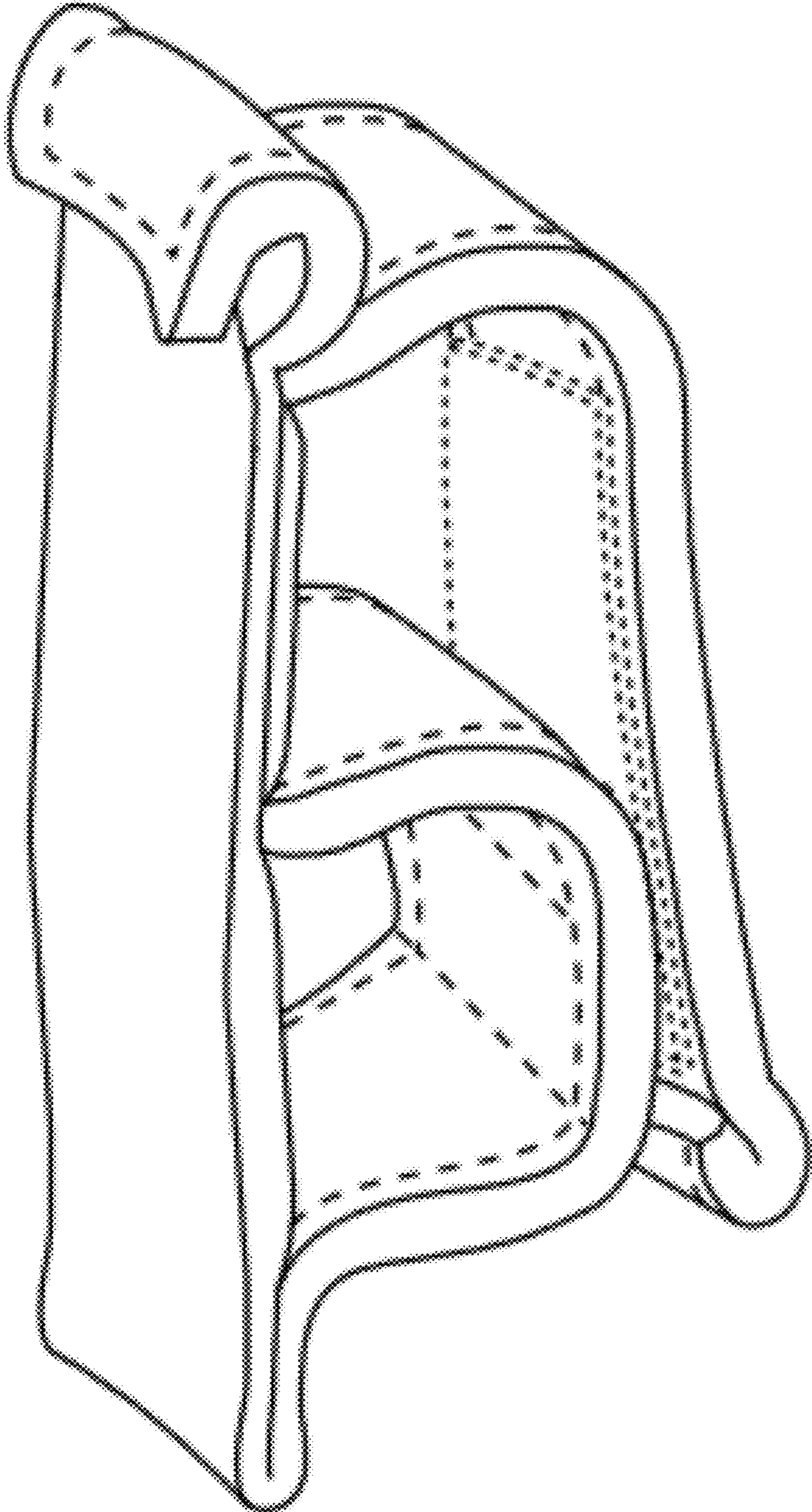


FIG. 1

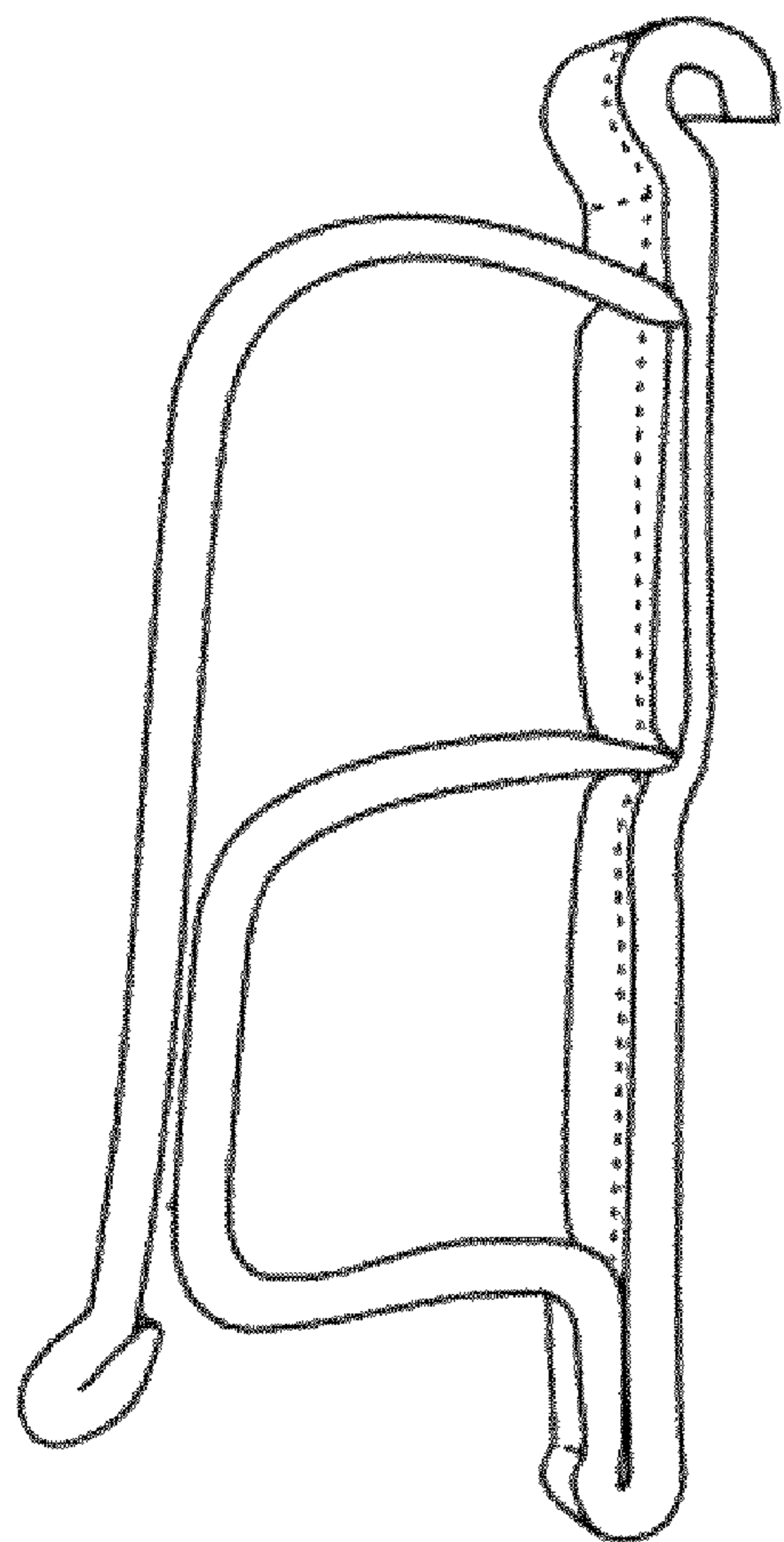


FIG. 2

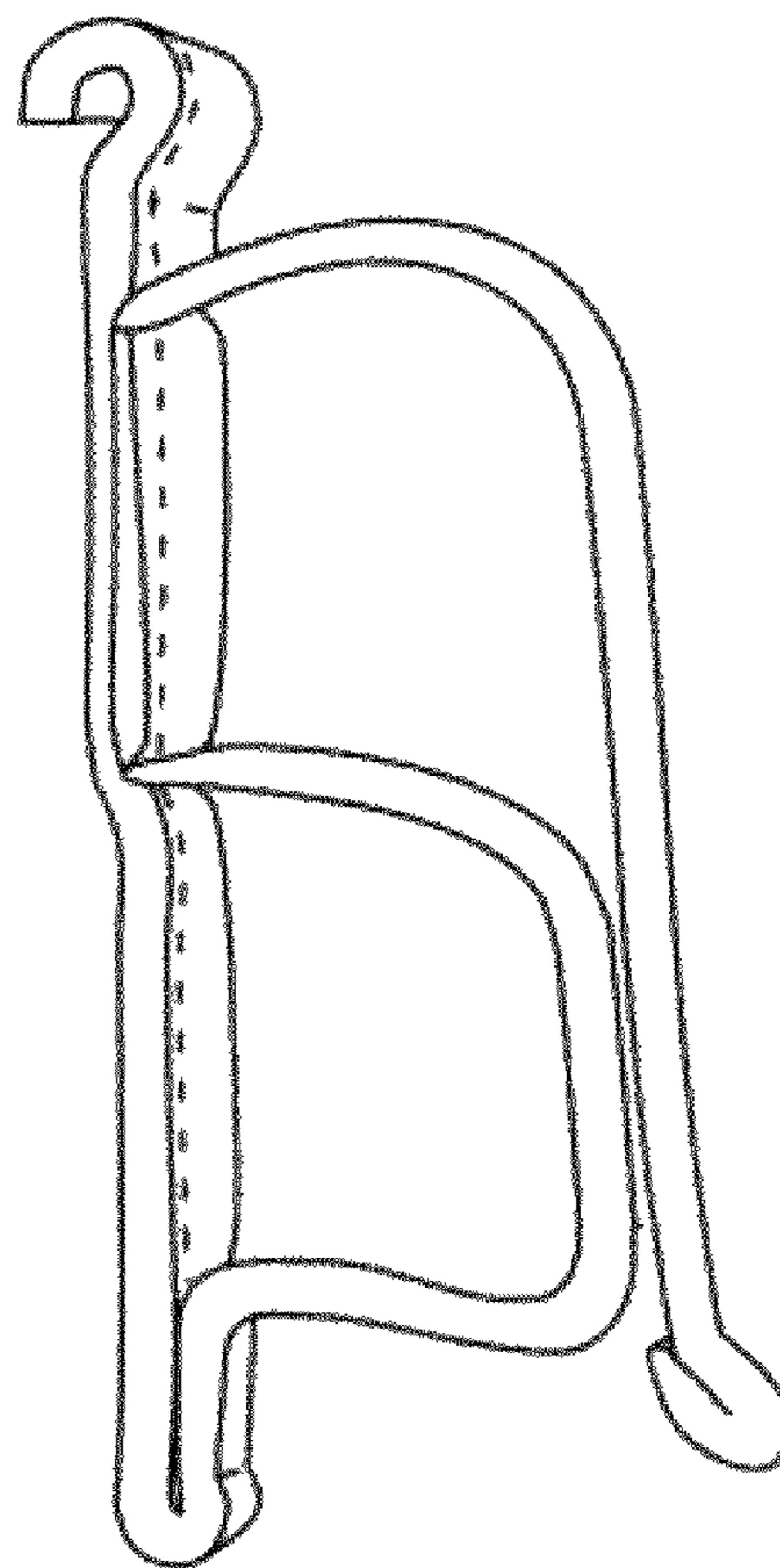


FIG. 3

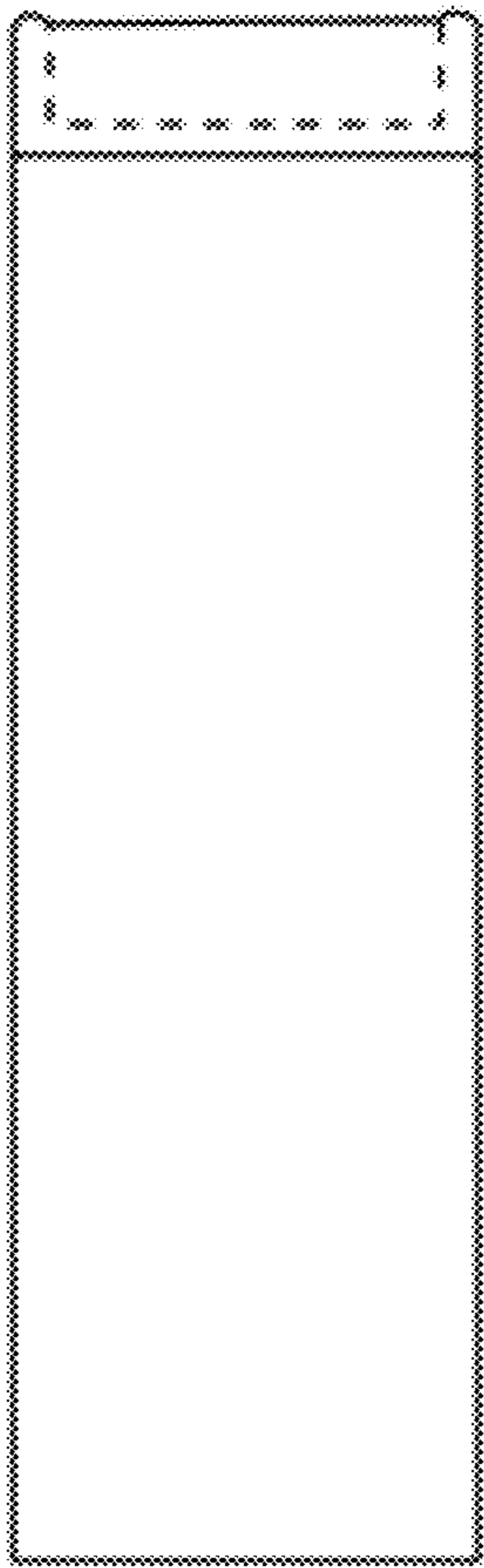


FIG. 4

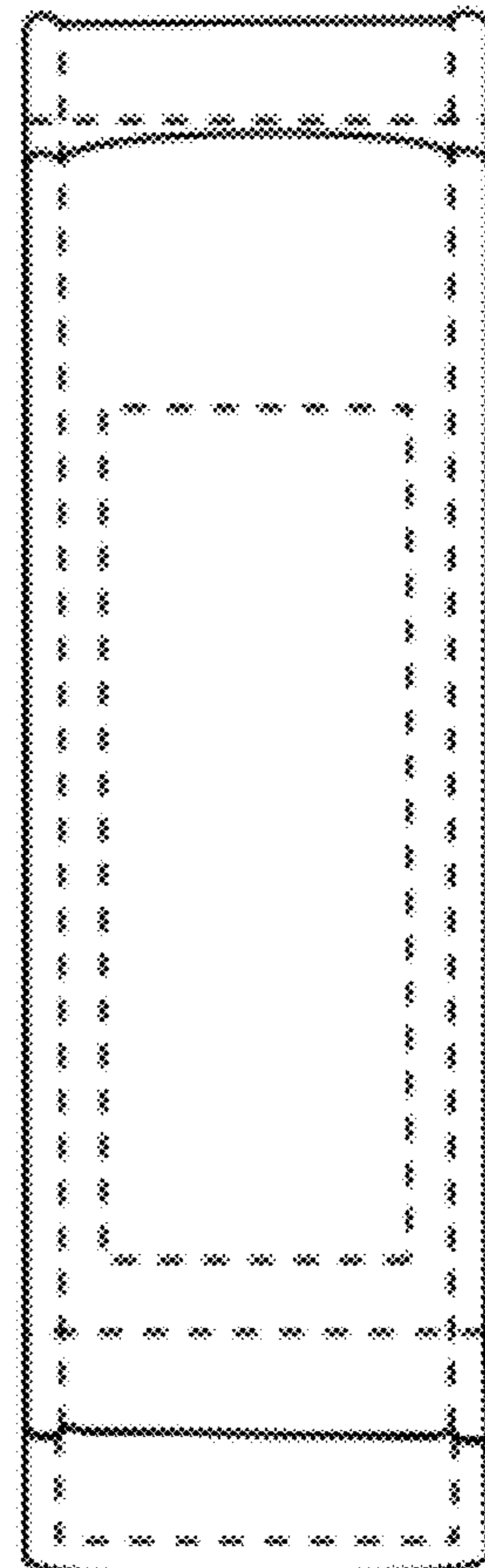


FIG. 5

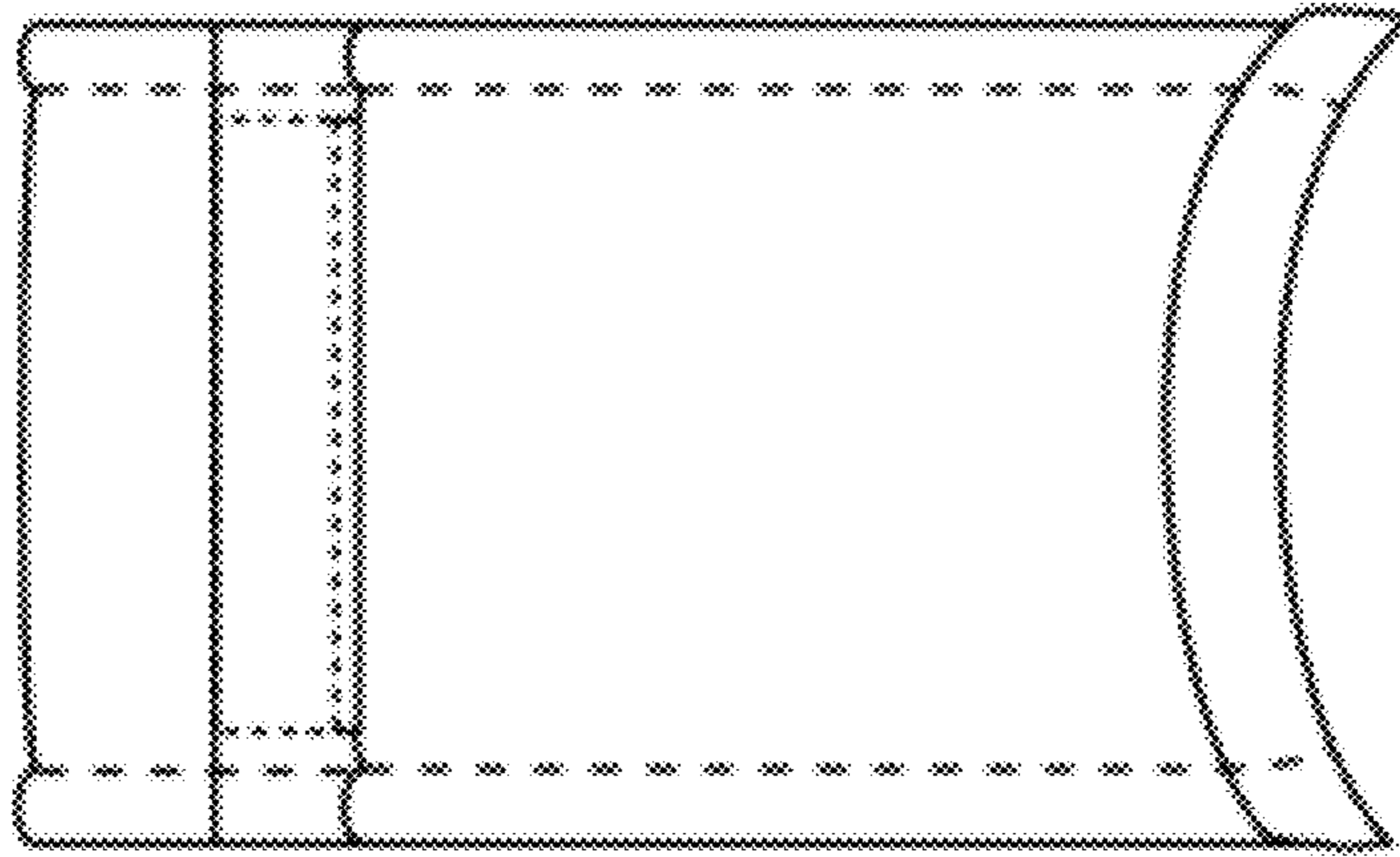


FIG. 6

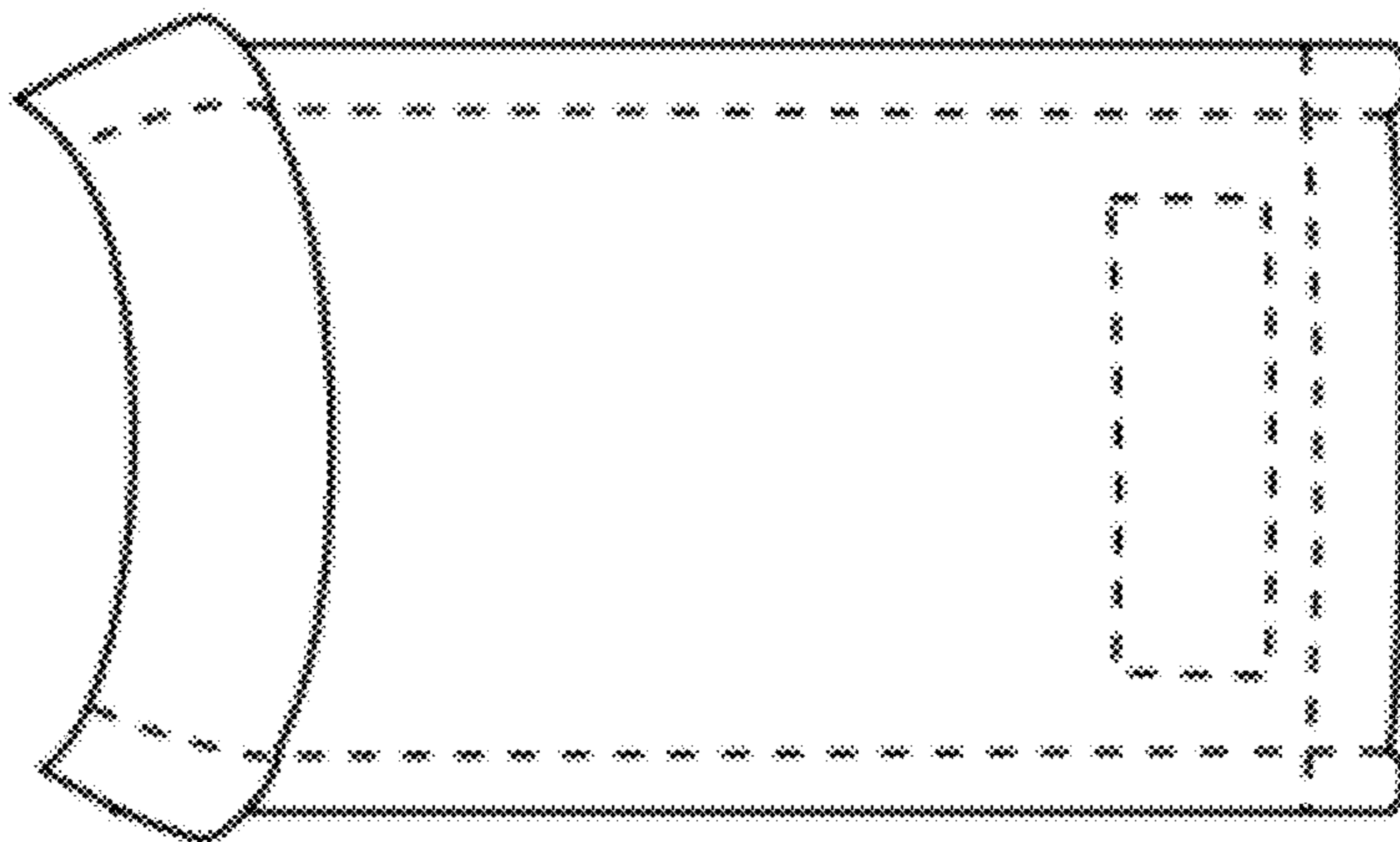


FIG. 7

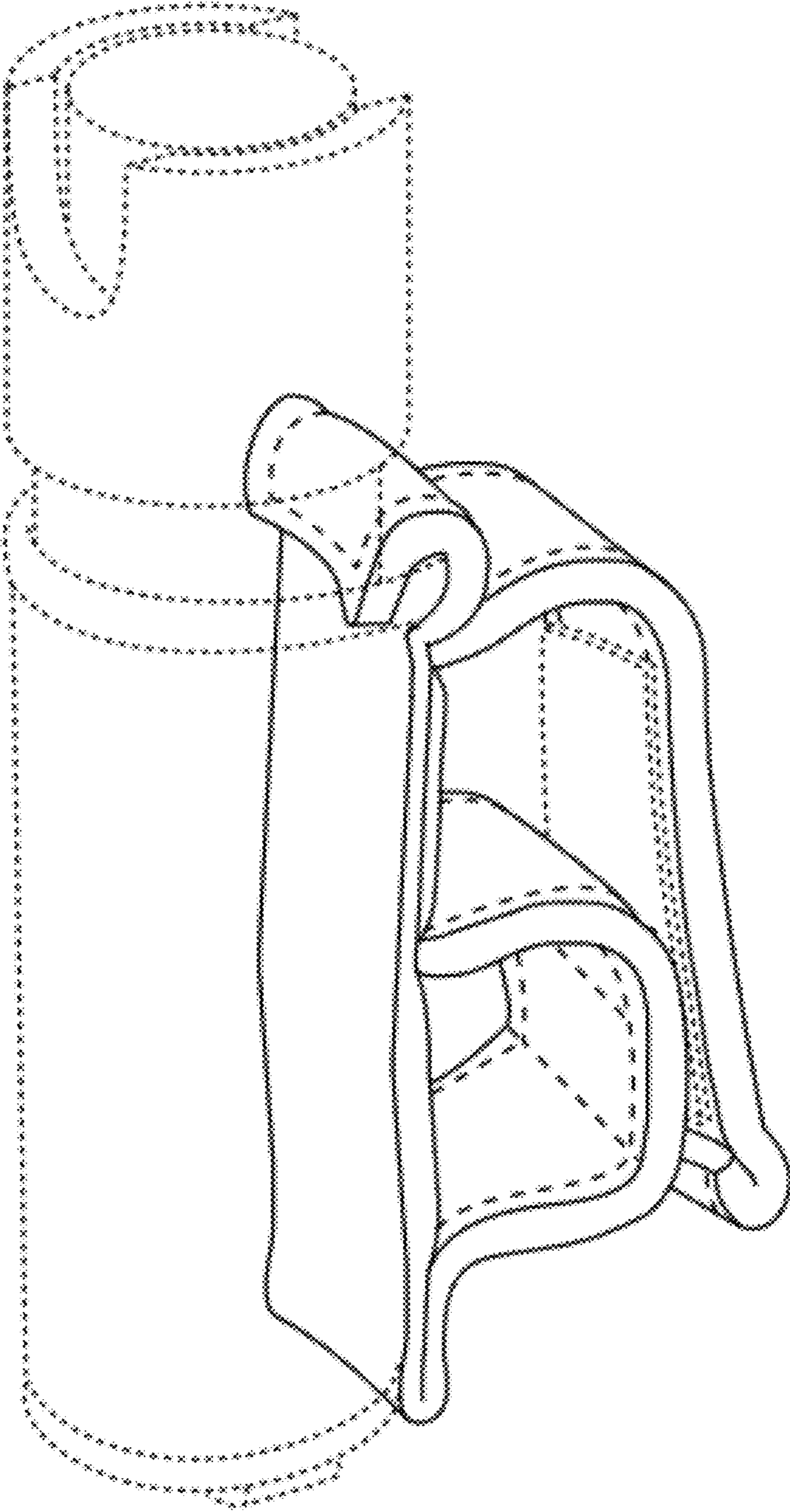


FIG. 8

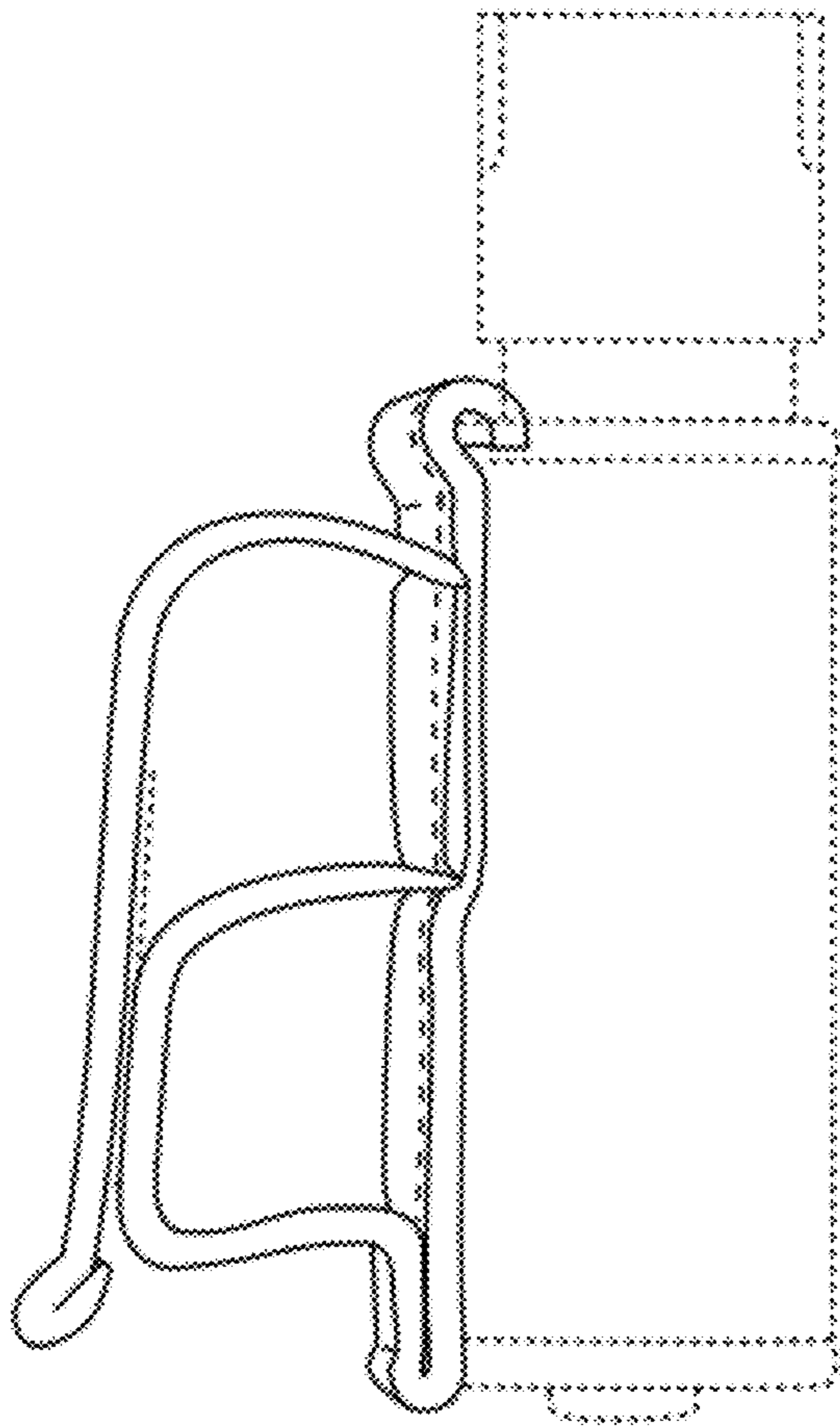


FIG. 9

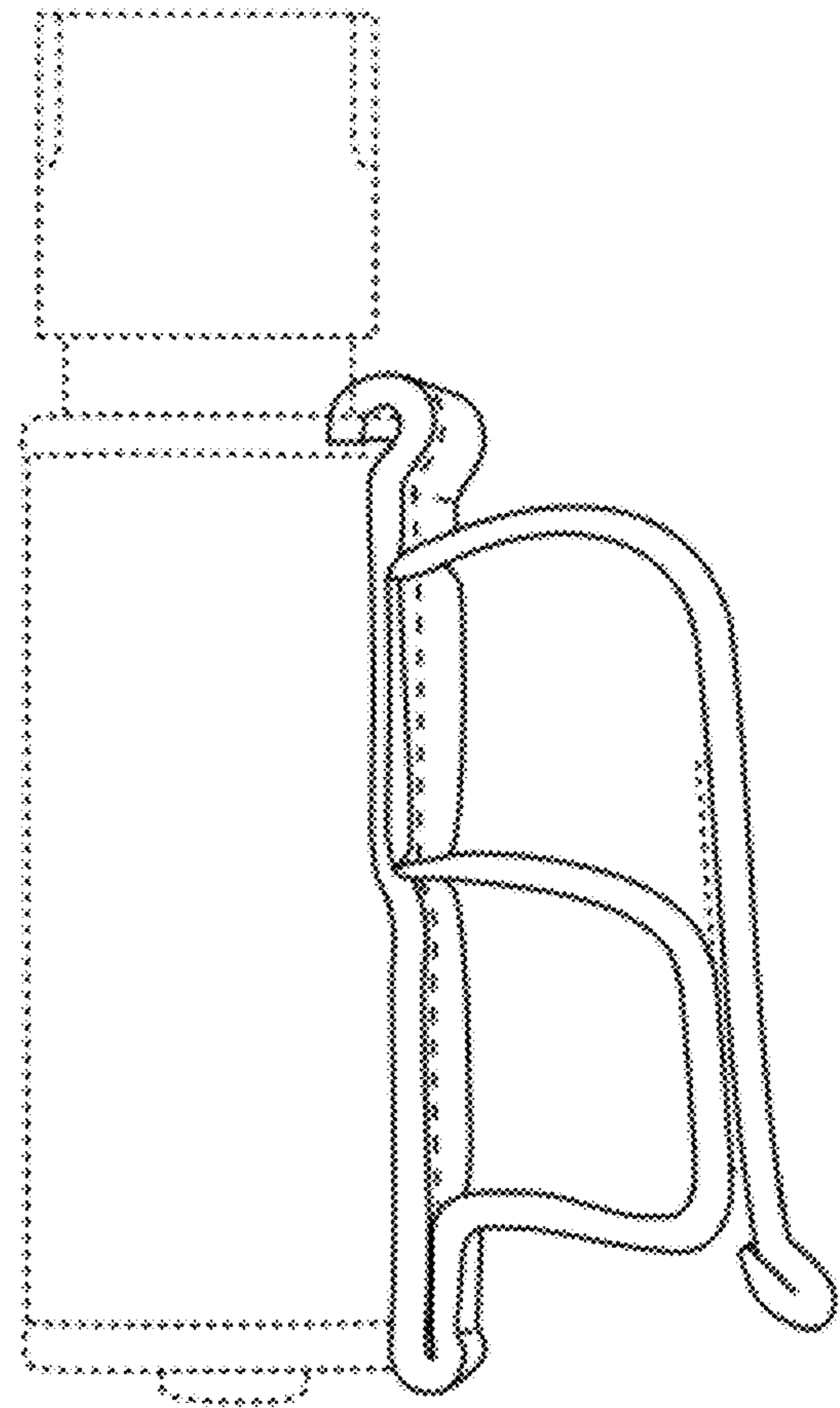


FIG. 10

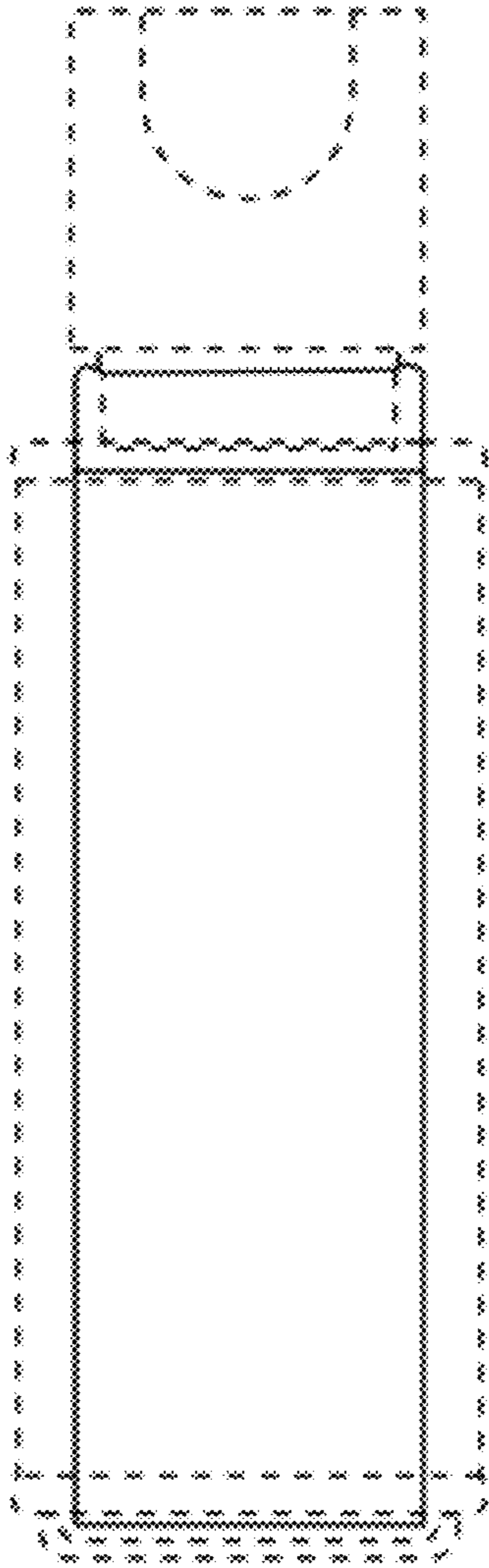


FIG. 11

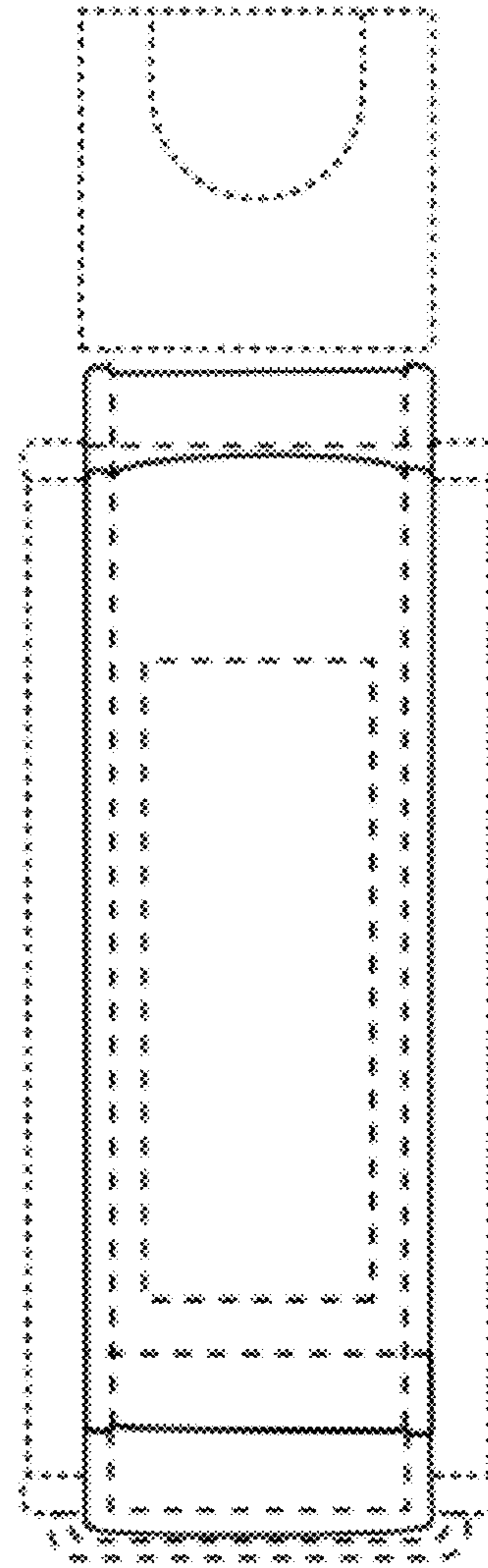


FIG. 12

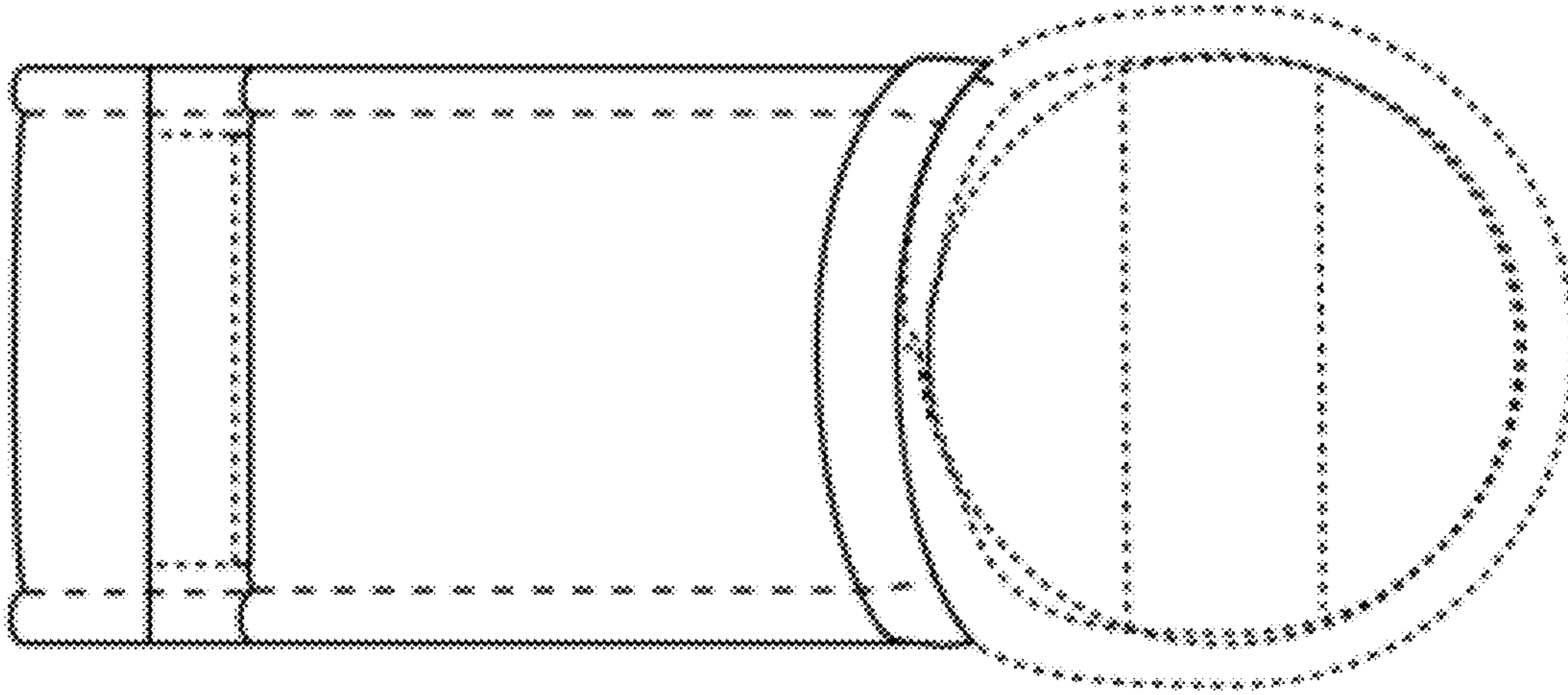


FIG. 13

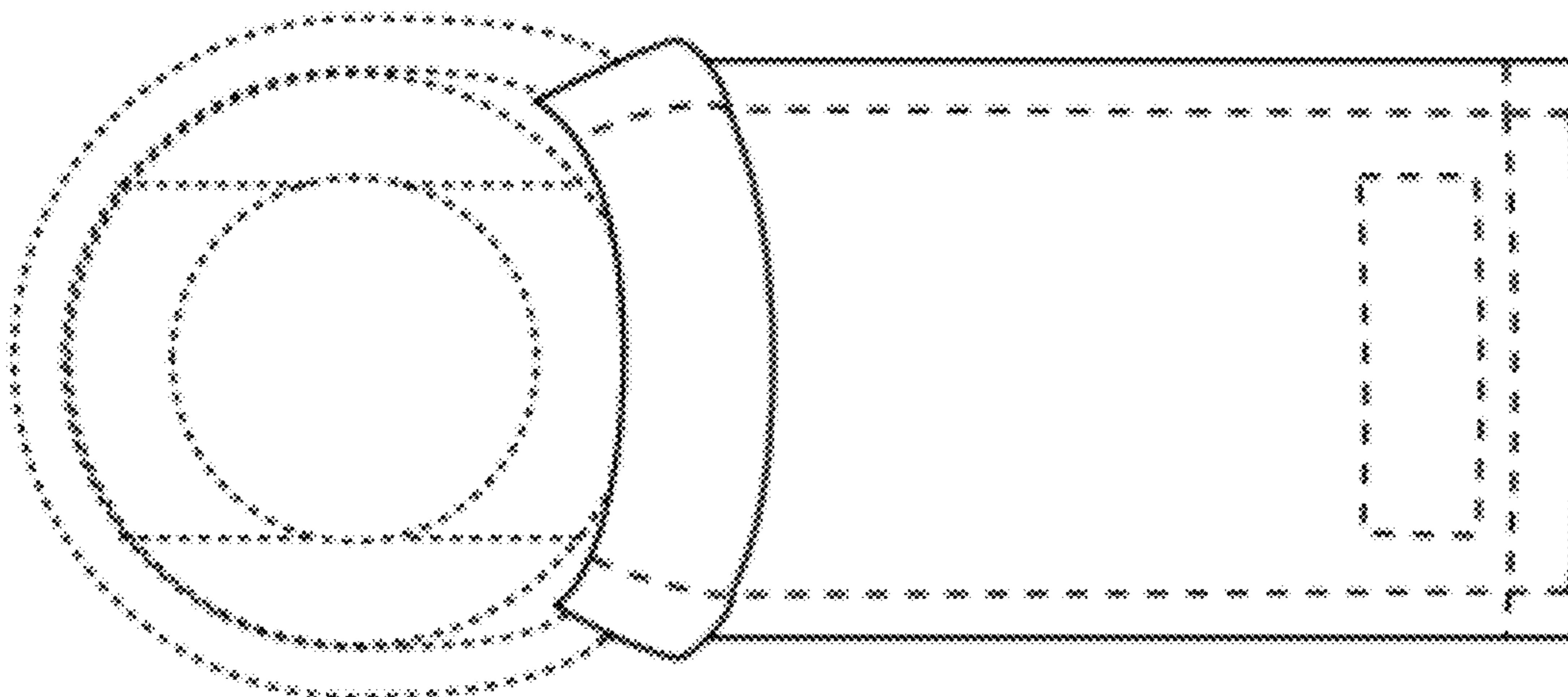


FIG. 14