



US00D657535S

(12) **United States Design Patent**
Chekrallah

(10) **Patent No.:** **US D657,535 S**

(45) **Date of Patent:** **** *Apr. 17, 2012**

(54) **HAT WITH TWO BRIMS**

(76) Inventor: **Marcel Chekrallah**, Canton, MA (US)

(*) Notice: This patent is subject to a terminal disclaimer.

(**) Term: **14 Years**

(21) Appl. No.: **29/379,674**

(22) Filed: **Nov. 23, 2010**

(51) **LOC (9) Cl.** **02-03**

(52) **U.S. Cl.** **D2/882**

(58) **Field of Classification Search** D2/865,
D2/866, 869, 870, 872, 875, 876, 877, 878,
D2/879, 880, 881, 882, 884, 886, 891, 892,
D2/893, 894, 895; 2/171, 175.1, 195.1, 195.2,
2/195.3, 195.4, 195.5, 195.6, 195.7, 209.12,
2/209.13, 209.3, 209.5, 209.7

See application file for complete search history.

(56) **References Cited**

U.S. PATENT DOCUMENTS

D31,107 S * 6/1899 Davis D2/882
D363,596 S * 10/1995 Martinez D2/884
D387,543 S * 12/1997 Schryver D2/882

5,870,772 A * 2/1999 Sprouse 2/10
D446,631 S * 8/2001 Davis D2/882
6,473,907 B1 * 11/2002 Harwood 2/209.13
D560,051 S * 1/2008 Robinson D2/882
D569,583 S * 5/2008 Robinson D2/882
D570,578 S * 6/2008 Hornback et al. D2/882
D582,131 S * 12/2008 French et al. D2/866
D627,956 S * 11/2010 Scott, Jr. D2/893
D633,282 S * 3/2011 Chekrallah D2/882
2003/0093851 A1 * 5/2003 Maya 2/195.1
2005/0086724 A1 * 4/2005 Marsh et al. 2/195.1
2006/0107440 A1 * 5/2006 Keffer 2/175.1
2006/0277658 A1 * 12/2006 Marsh et al. 2/171

* cited by examiner

Primary Examiner — Karen E Eldridge Powers

(74) *Attorney, Agent, or Firm* — Sinorica, LLC

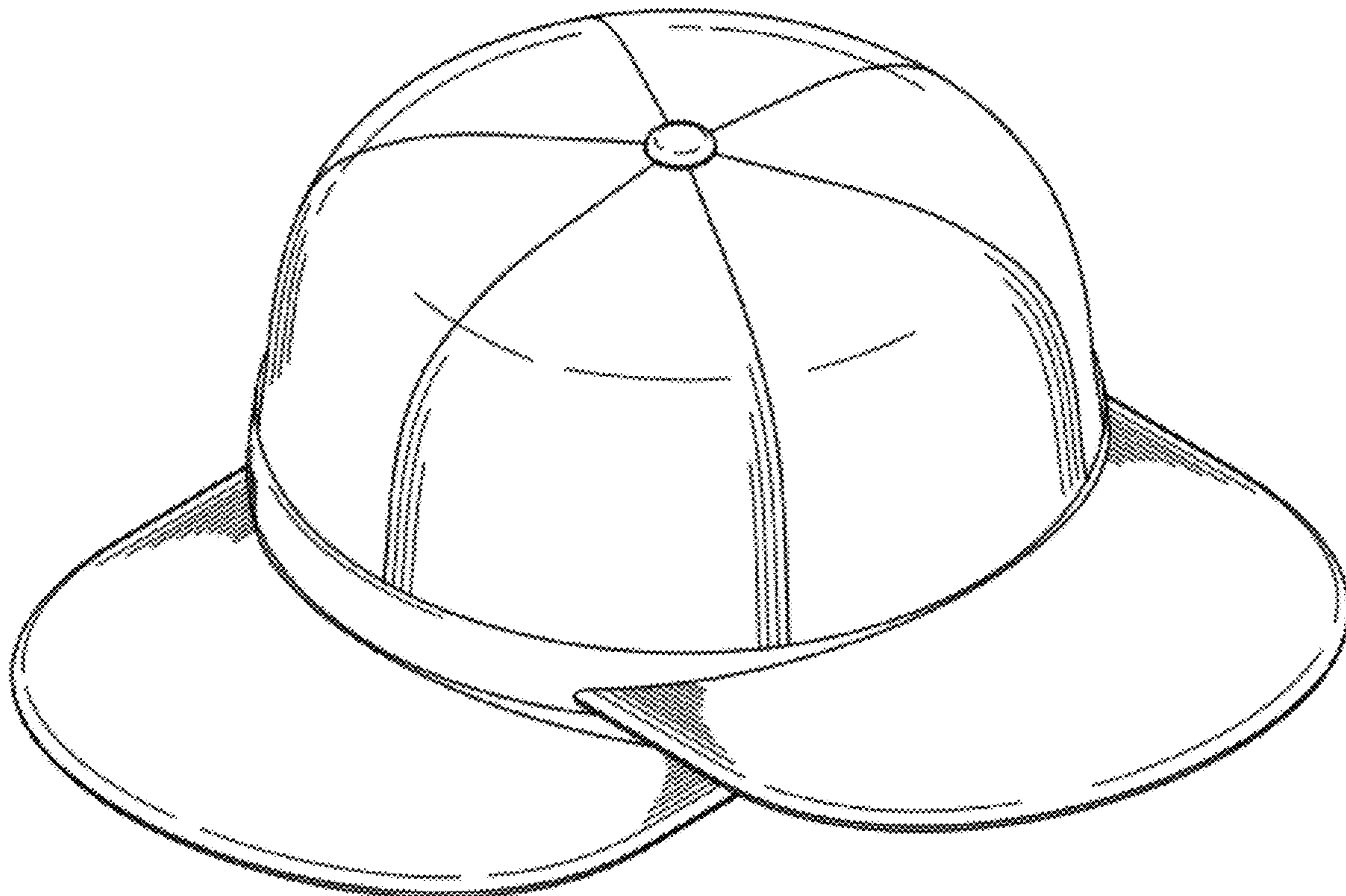
(57) **CLAIM**

The ornamental design for a hat with two brims, as shown and described.

DESCRIPTION

FIG. 1 is a perspective view of a hat with two brims;
FIG. 2 is a front elevational view thereof;
FIG. 3 is a rear elevational view thereof;
FIG. 4 is a right-side elevational view thereof;
FIG. 5 is a left-side elevational view thereof;
FIG. 6 is a bottom plan view thereof; and,
FIG. 7 is a top plan view thereof.

1 Claim, 5 Drawing Sheets



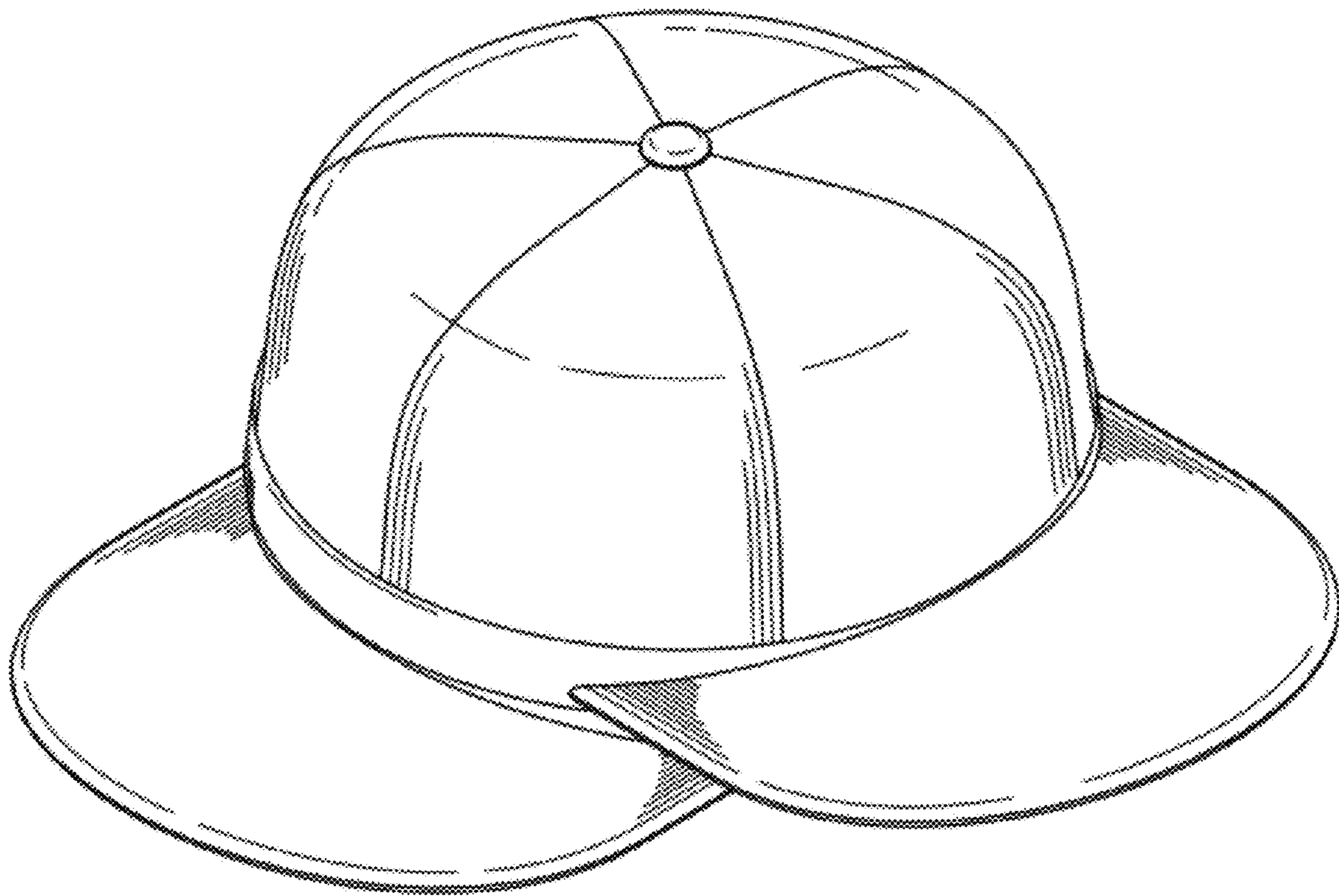


FIG. 1

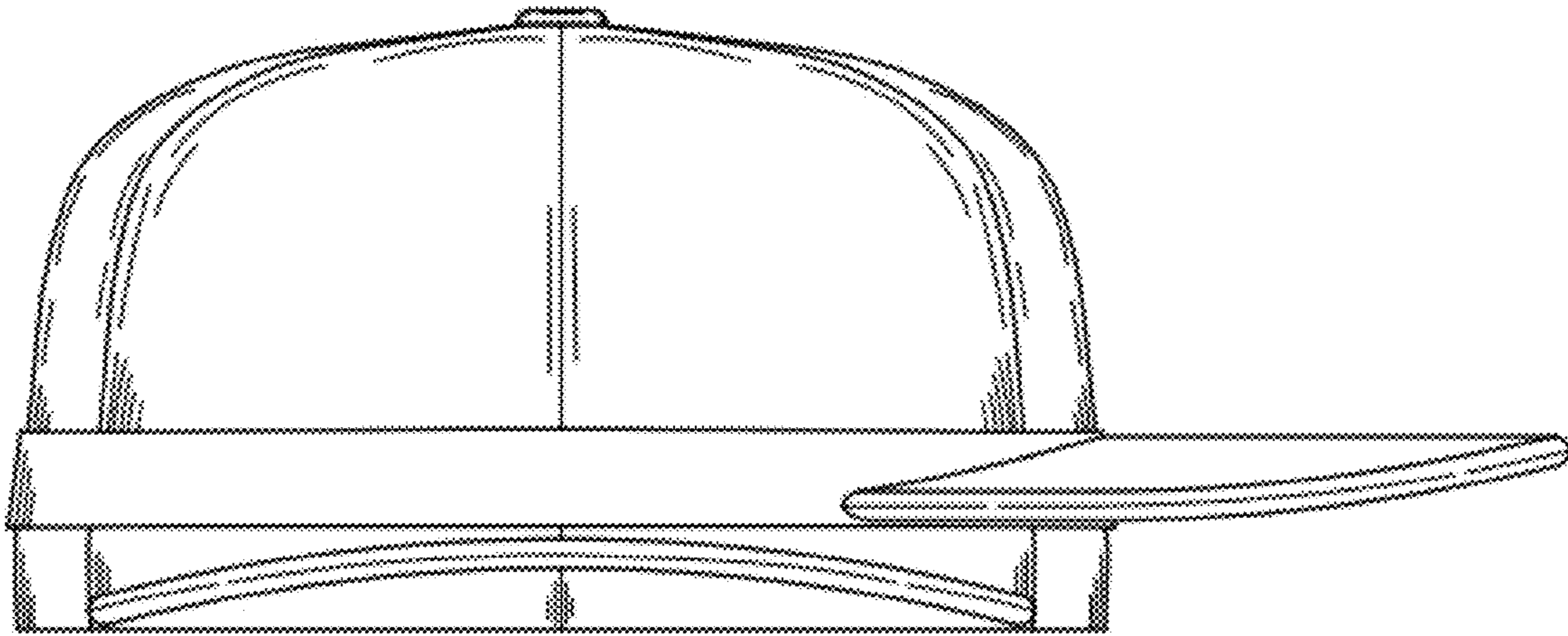


FIG. 2

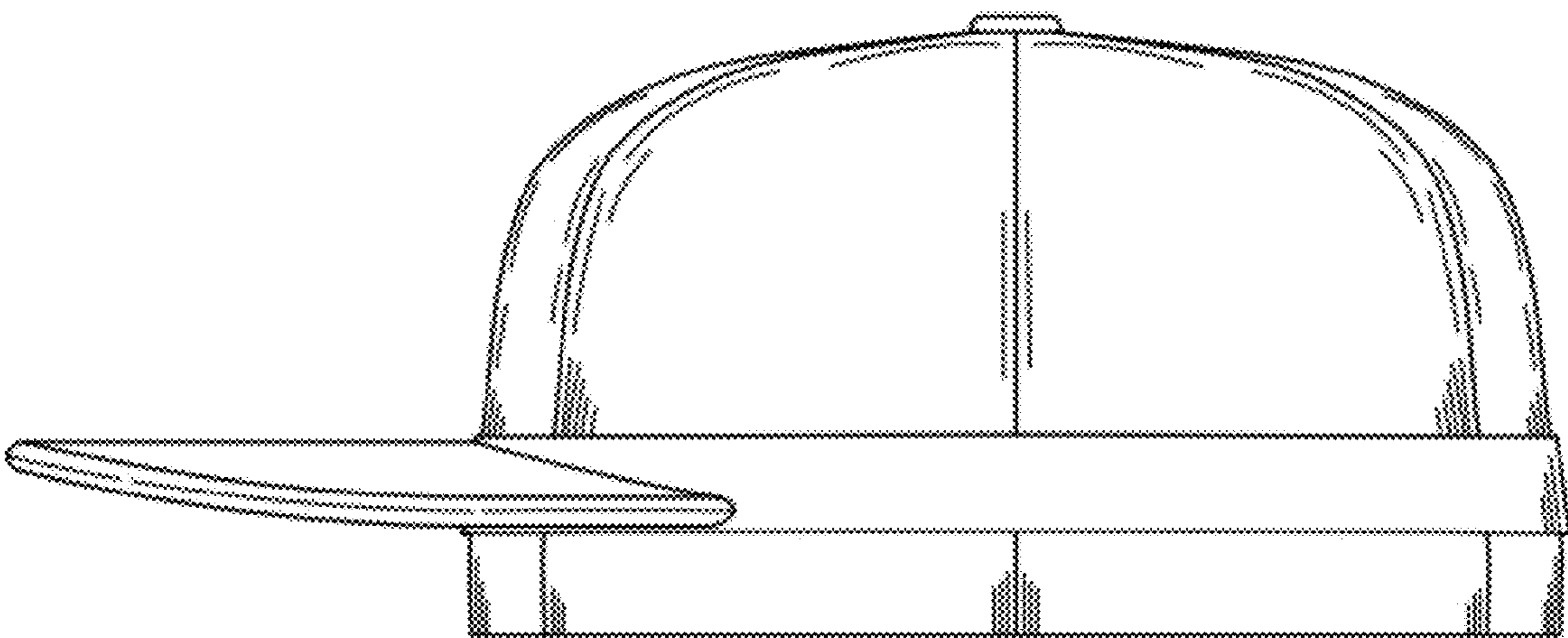


FIG. 3

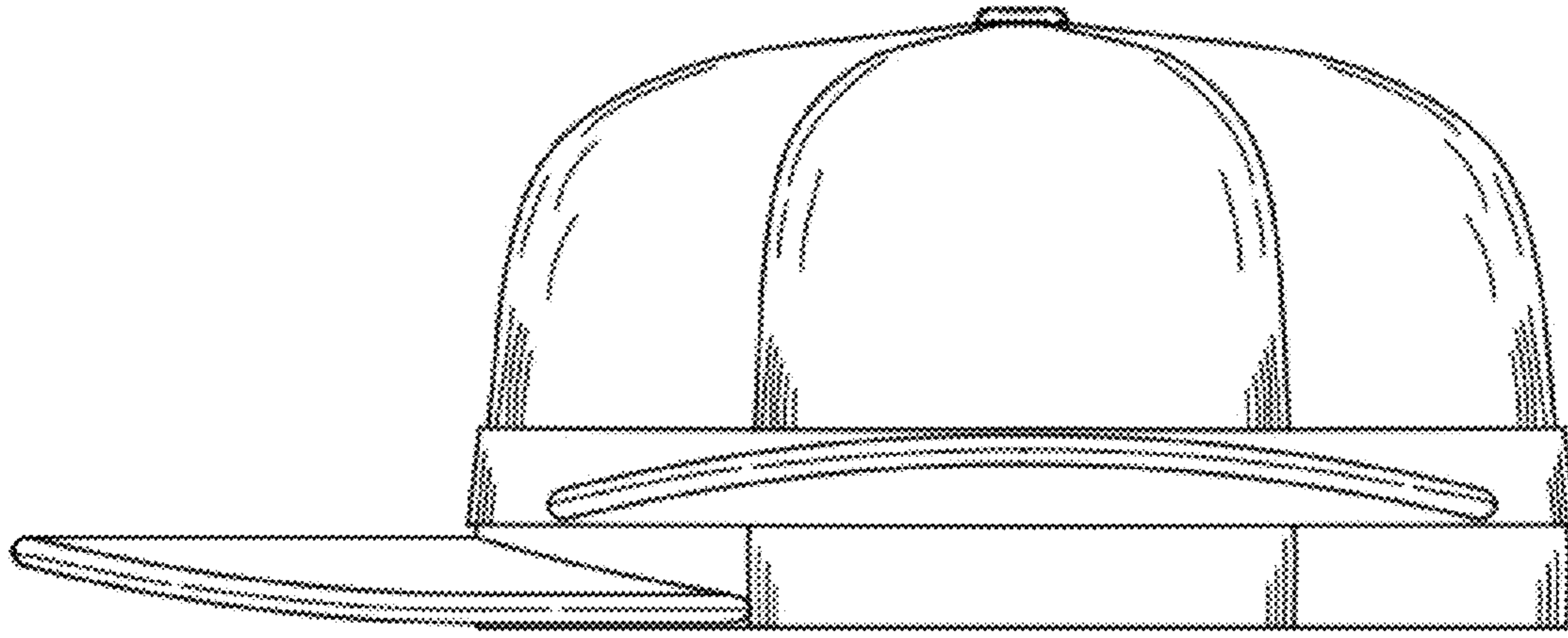


FIG. 4

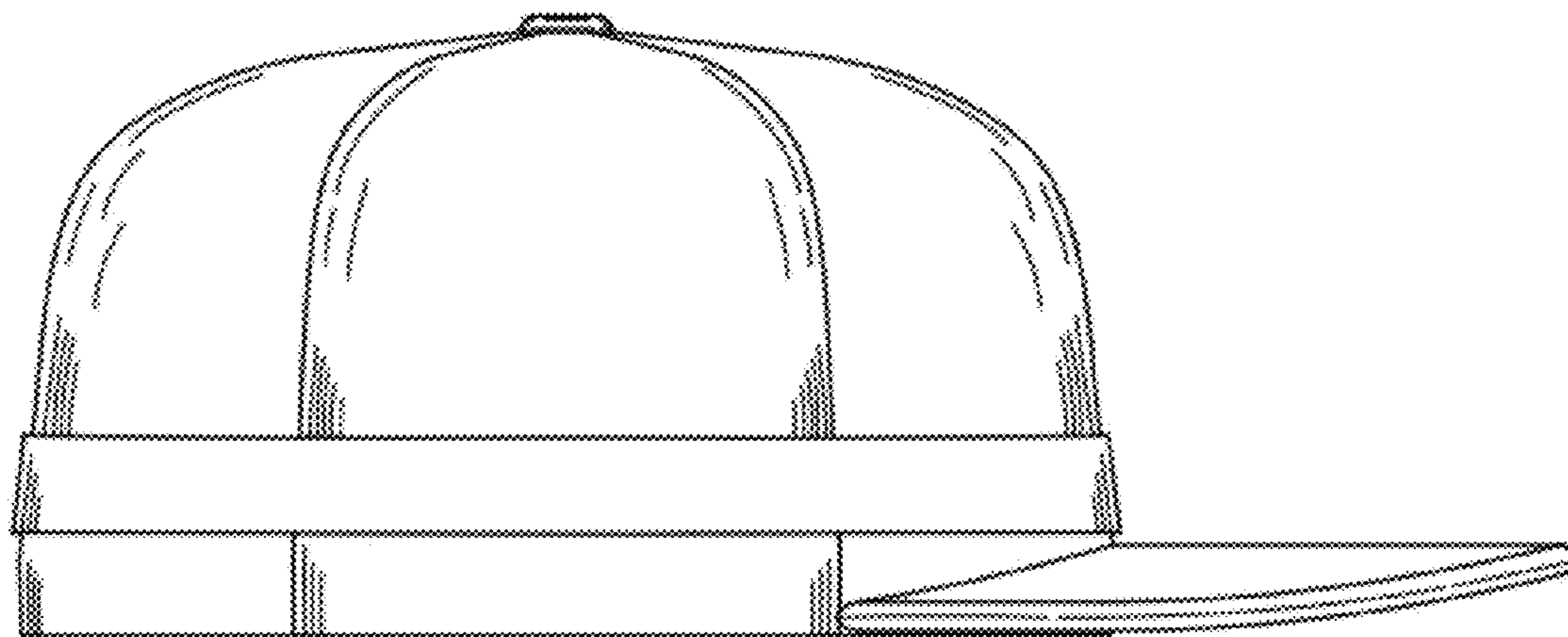


FIG. 5

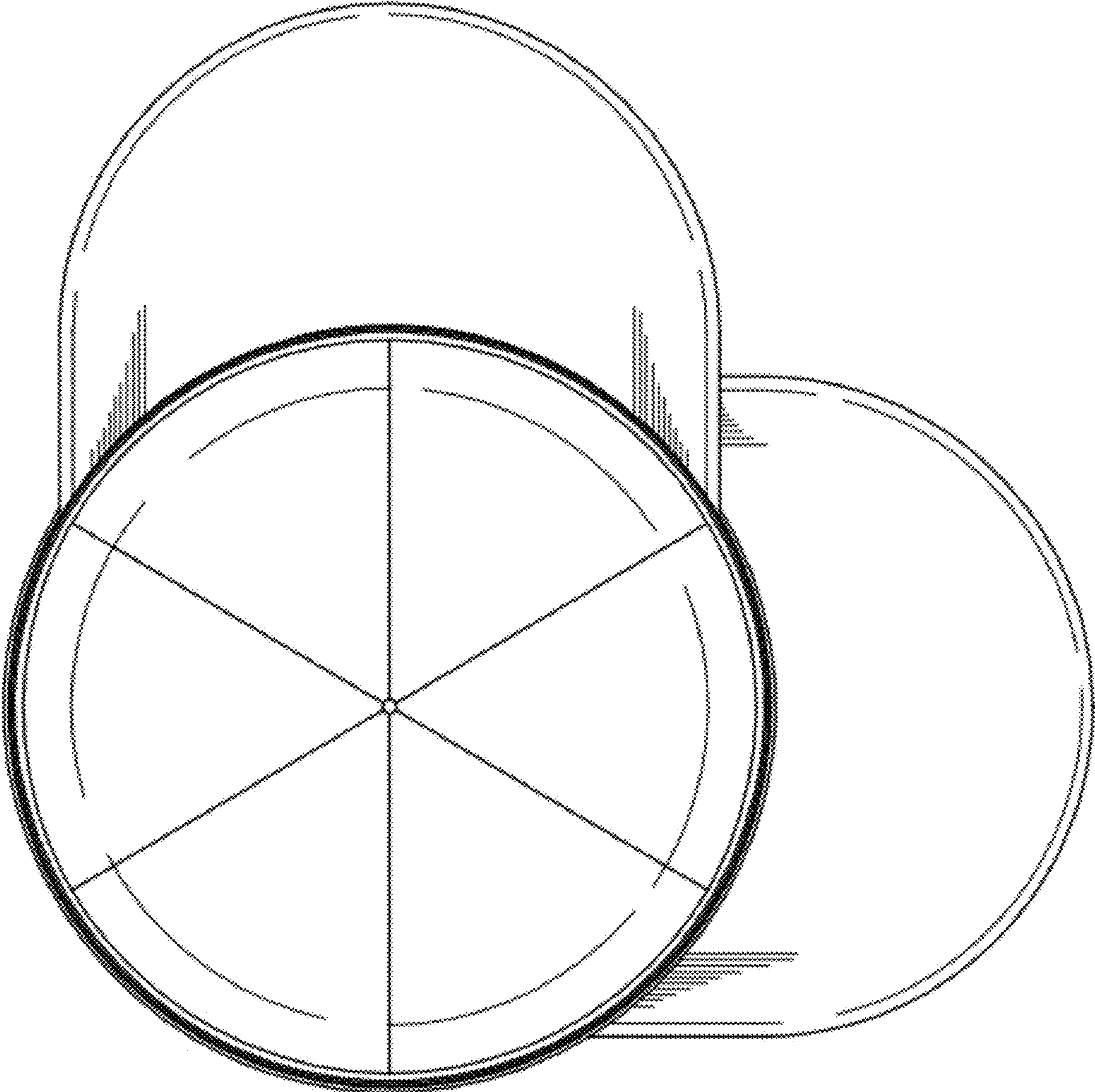


FIG. 6

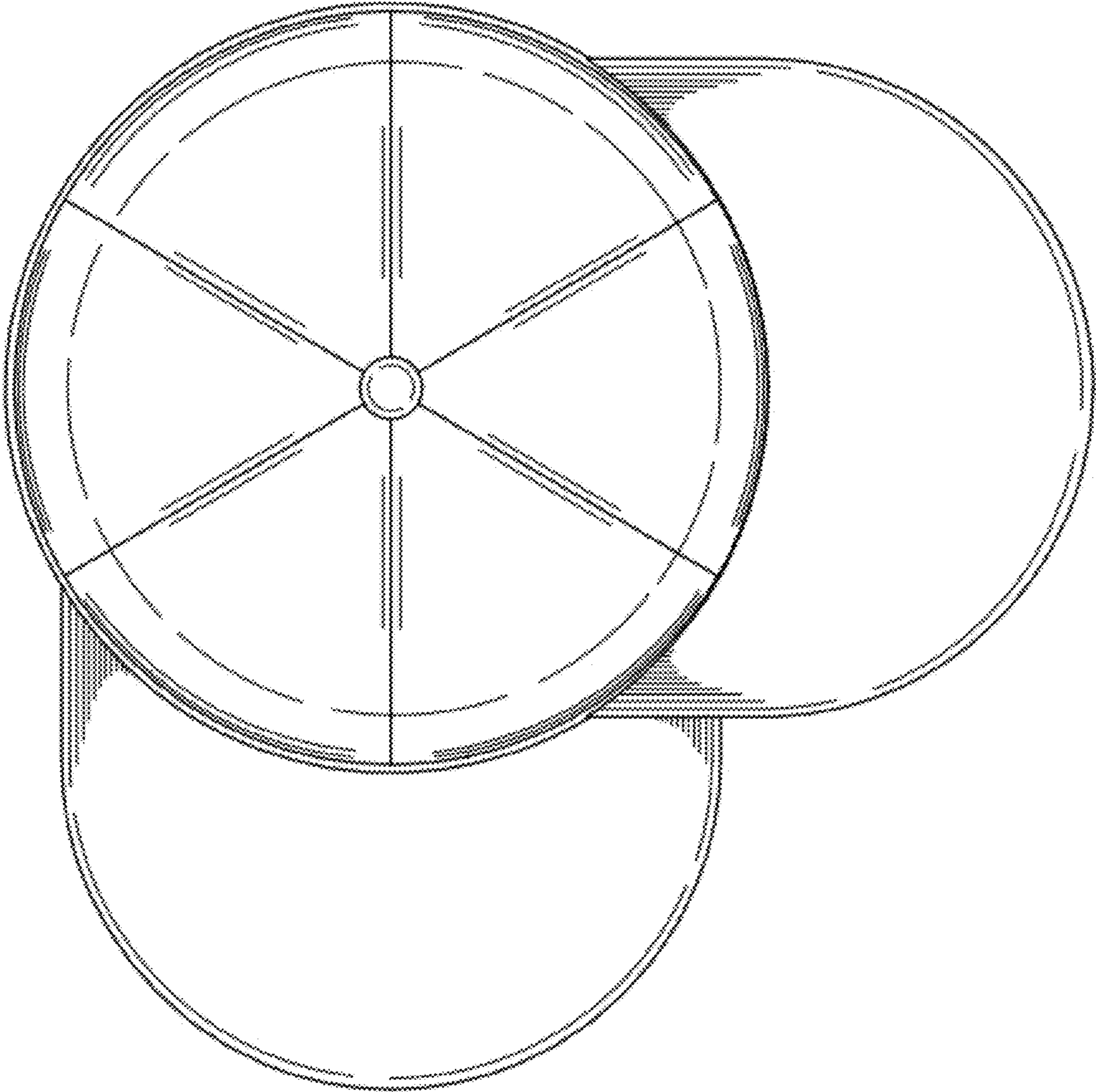


FIG. 7