



US00D657526S

(12) **United States Design Patent**  
**Cepeda Mendoza**

(10) **Patent No.:** **US D657,526 S**

(45) **Date of Patent:** **\*\* Apr. 17, 2012**

(54) **SNACK**

(75) **Inventor:** **Jose Abel Cepeda Mendoza**, San Mateo Atenco (MX)

(73) **Assignee:** **Grupo Bimbo, S.A.B. de C.V.**, Mexico City (MX)

(\*\*) **Term:** **14 Years**

(21) **Appl. No.:** **29/394,321**

(22) **Filed:** **Jun. 15, 2011**

(30) **Foreign Application Priority Data**

Mar. 4, 2011 (MX) ..... MX/f/2011/000736

(51) **LOC (9) Cl.** ..... **01-01**

(52) **U.S. Cl.** ..... **D1/106**

(58) **Field of Classification Search** ..... D1/100-199;  
D11/68, 33, 106; D24/101-104, 211-212,  
D24/9, 571, 575, 576, 396.4, 597-601, 200;  
D10/9; D7/677, 676, 675, 672, 361, 359,  
D7/354, 901; 426/104, 803, 134, 16, 20,  
426/2, 635, 805, 138, 143; D6/597-601;  
D21/707, 386; D25/119, 121; 119/706-711,  
119/702; D9/613, 655; D28/8.2

See application file for complete search history.

(56) **References Cited**

U.S. PATENT DOCUMENTS

D189,660 S *	1/1961	Vermlyen	.....	D1/113
D191,863 S *	12/1961	de Lancellotti	.....	D1/108
D321,082 S *	10/1991	Meyers et al.	.....	D1/113
D334,644 S *	4/1993	Korlund et al.	.....	D1/113
D416,122 S *	11/1999	Fink et al.	.....	D1/113
D429,055 S *	8/2000	Hyneman	.....	D1/120
D513,552 S *	1/2006	Haro	.....	D1/126
D515,773 S *	2/2006	Haro	.....	D1/126
D649,286 S *	11/2011	Beierle et al.	.....	D28/8.2

\* cited by examiner

*Primary Examiner* — Barbara Fox

(74) *Attorney, Agent, or Firm* — Brinks Hofer Gilson & Lione

(57) **CLAIM**

The ornamental design for a snack, as shown and described.

**DESCRIPTION**

FIG. 1 is a perspective view of the snack showing my new design;

FIG. 2 is a front elevation view thereof;

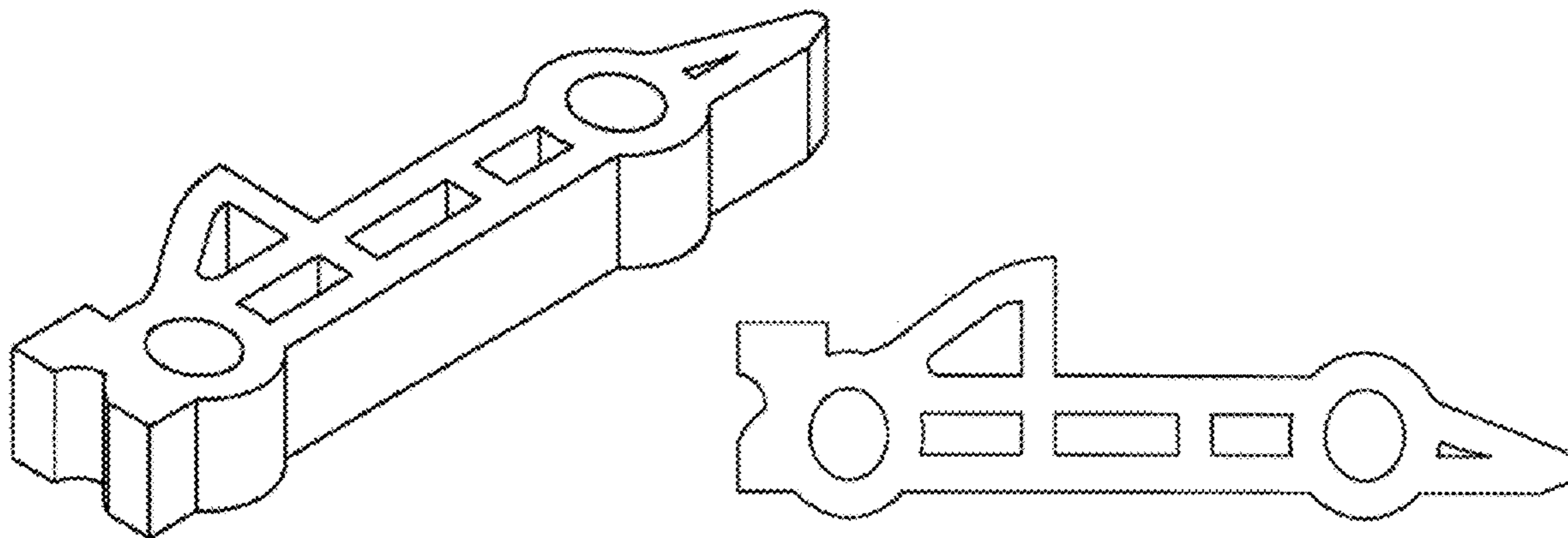
FIG. 3 is a left elevation view thereof;

FIG. 4 is a right elevation view thereof;

FIG. 5 is a bottom plan view thereof; and,

FIG. 6 is a top plan view thereof.

**1 Claim, 4 Drawing Sheets**



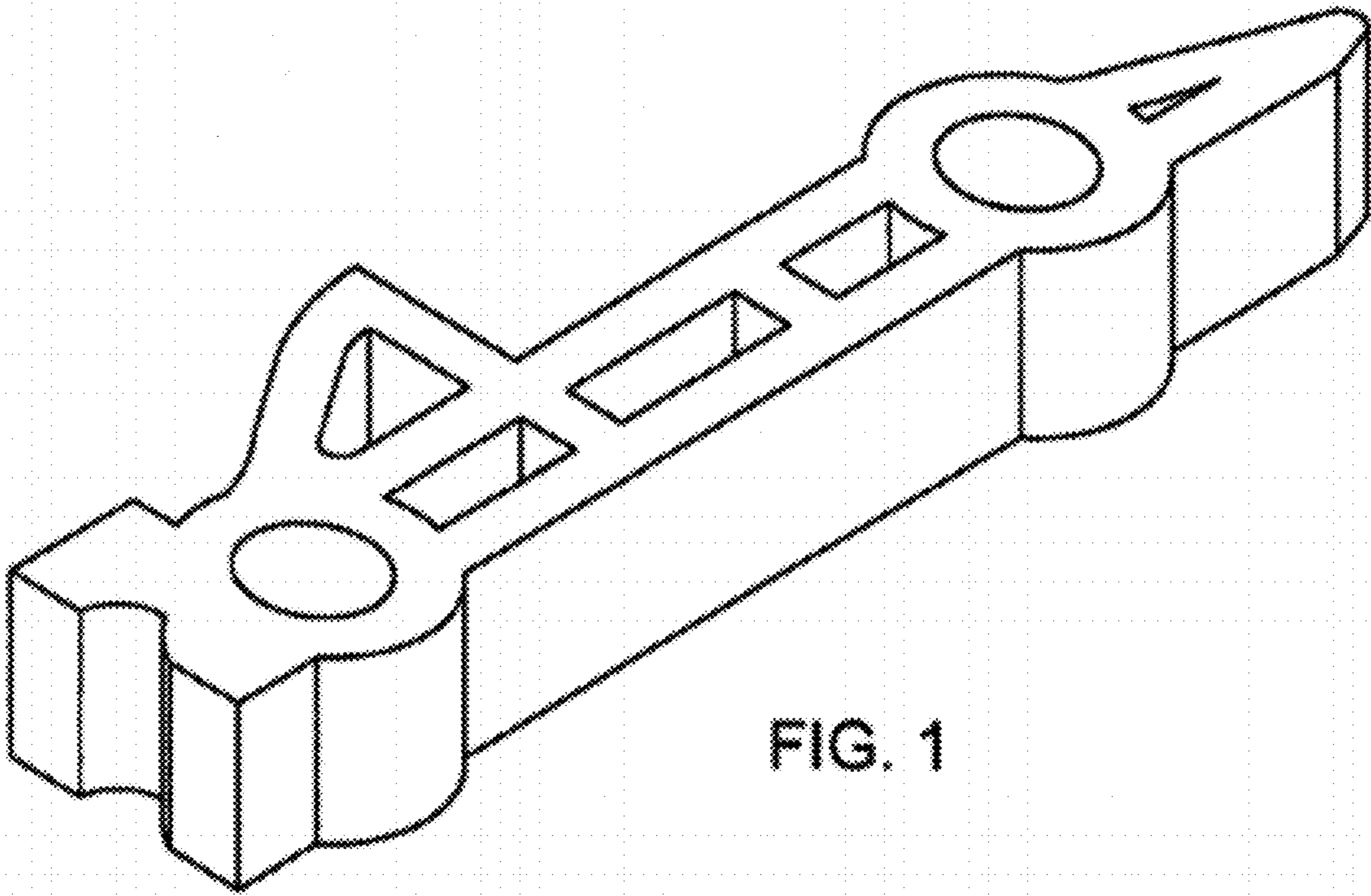


FIG. 1

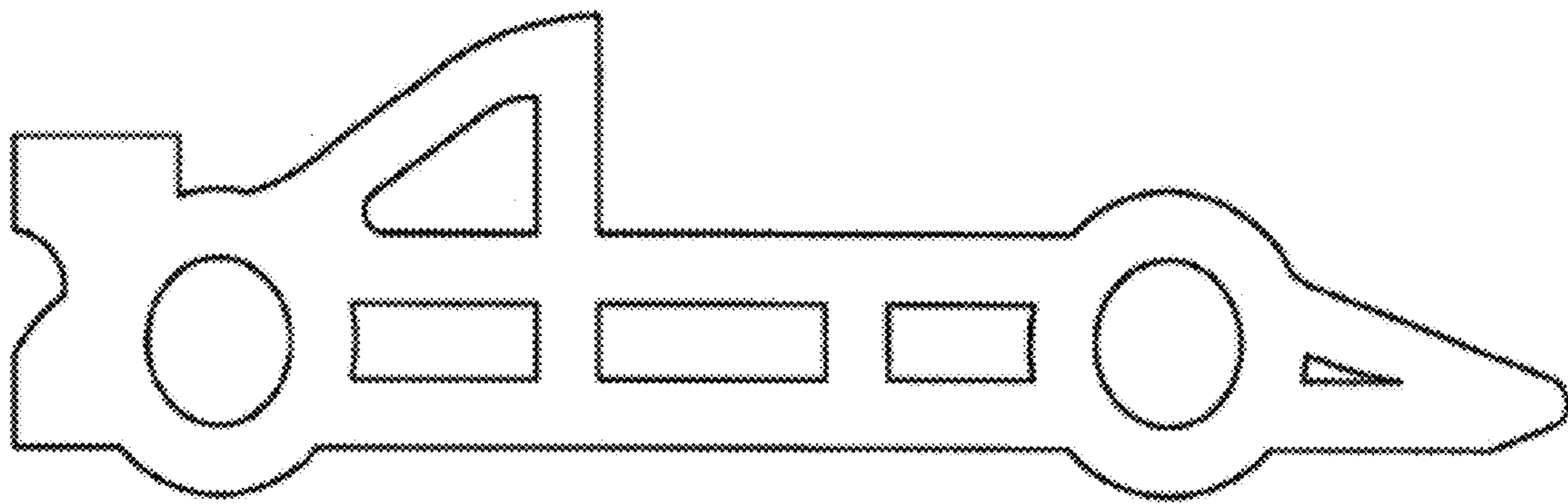


FIG. 2

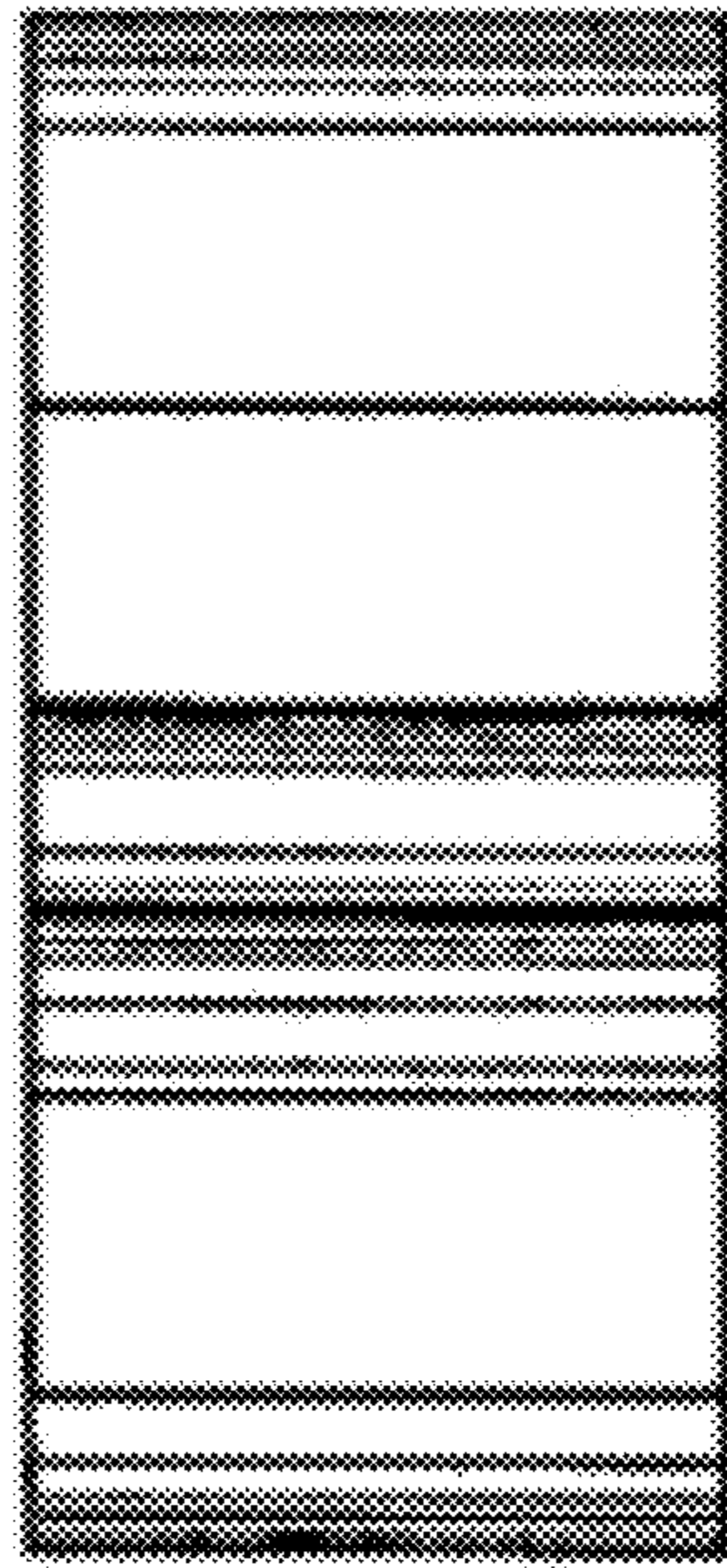


FIG. 3

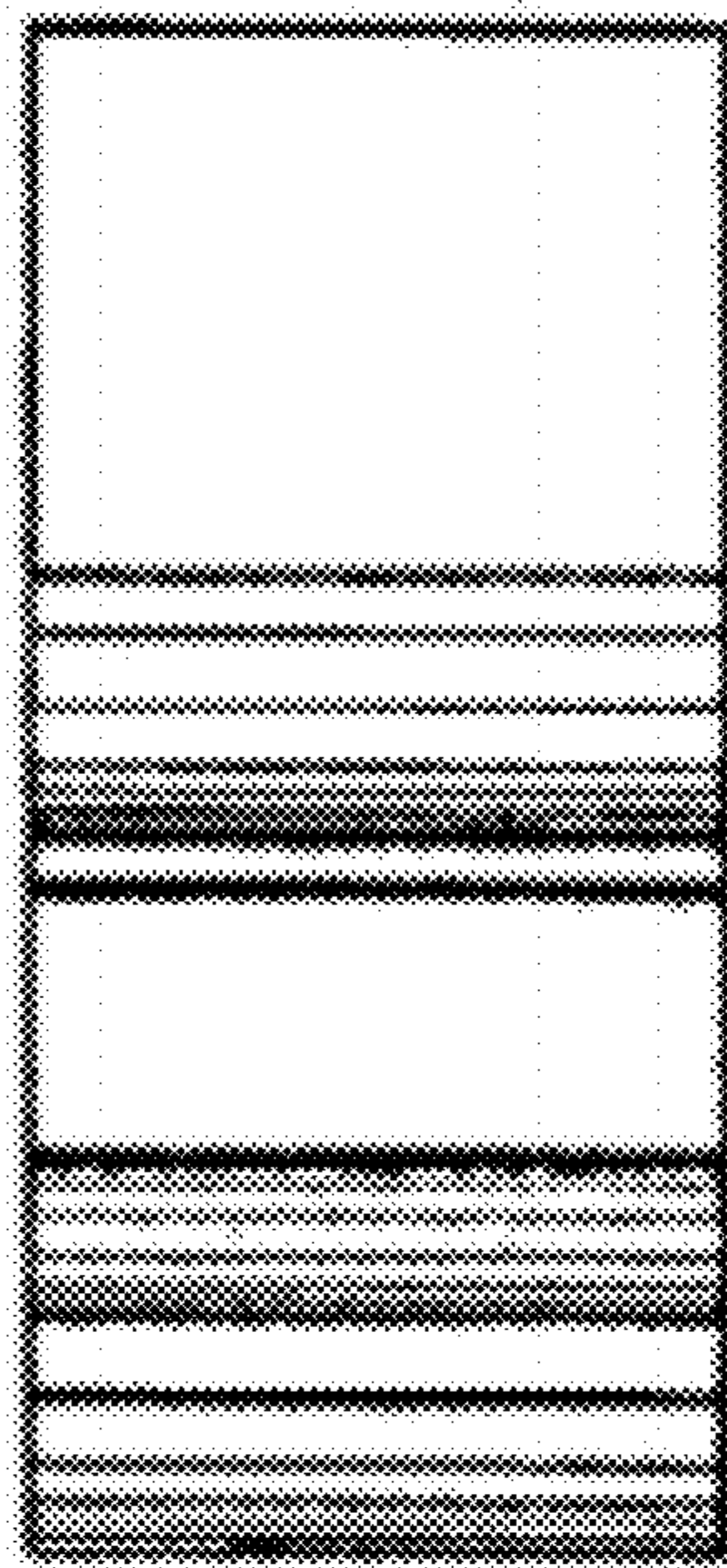


FIG. 4

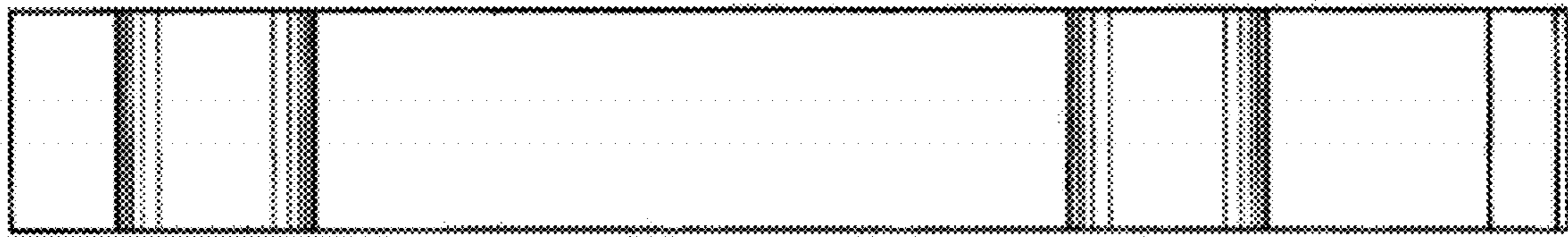


FIG. 5

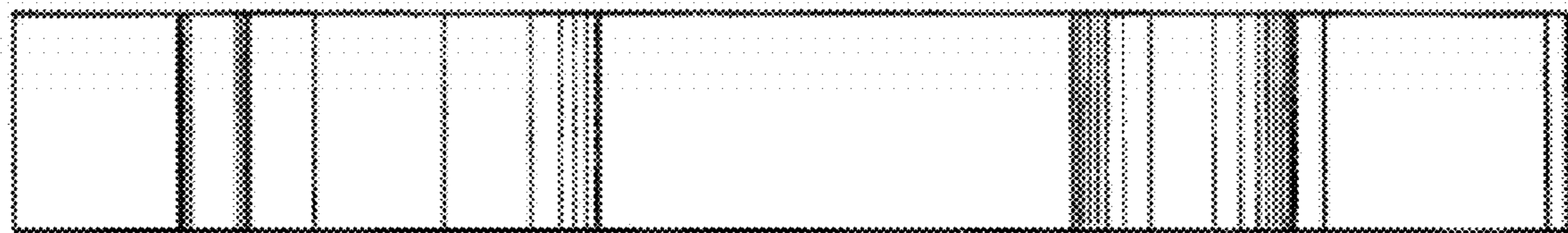


FIG. 6