



US00D657524S

(12) **United States Design Patent**  
**Liao**

(10) **Patent No.:** **US D657,524 S**  
(45) **Date of Patent:** **\*\* Apr. 10, 2012**

(54) **GOLF CART**

(75) Inventor: **Gordon Liao**, Tainan (TW)

(73) Assignee: **Unique Product & Design Co., Ltd.**,  
Tainan (TW)

(\*\*) Term: **14 Years**

(21) Appl. No.: **29/399,755**

(22) Filed: **Aug. 18, 2011**

(51) **LOC (9) Cl.** ..... **12-13**

(52) **U.S. Cl.** ..... **D34/15**

(58) **Field of Classification Search** ..... D34/12-27;  
280/62, DIG. 6, DIG. 5, 641, 642, 654, 651,  
280/646, 47.26, 39, 40, 33.991, 33.992, 33.993  
See application file for complete search history.

(56) **References Cited**

**U.S. PATENT DOCUMENTS**

D454,417 S *	3/2002	Wu	.....	D34/15
D531,374 S *	10/2006	Liao	.....	D34/15
D556,414 S *	11/2007	Gong et al.	.....	D34/15
D574,571 S *	8/2008	Liao	.....	D34/15
D586,522 S *	2/2009	Liao	.....	D34/15
D599,522 S *	9/2009	Wu	.....	D34/15
D599,973 S *	9/2009	Liao	.....	D34/15
D629,993 S *	12/2010	Liao	.....	D34/15
D629,994 S *	12/2010	Liao	.....	D34/15

D632,449 S *	2/2011	Liao	.....	D34/15
D634,091 S *	3/2011	Liao	.....	D34/15
D637,783 S *	5/2011	Liao	.....	D34/15
D638,600 S *	5/2011	Wu	.....	D34/15
D638,601 S *	5/2011	Lin	.....	D34/15
D647,679 S *	10/2011	Liao	.....	D34/15
D648,913 S *	11/2011	Fung	.....	D34/15
2009/0115168 A1 *	5/2009	Liao	.....	280/651

\* cited by examiner

*Primary Examiner* — Cynthia Ramirez

(74) *Attorney, Agent, or Firm* — Alan Kamrath; Kamrath IP Lawfirm, PA

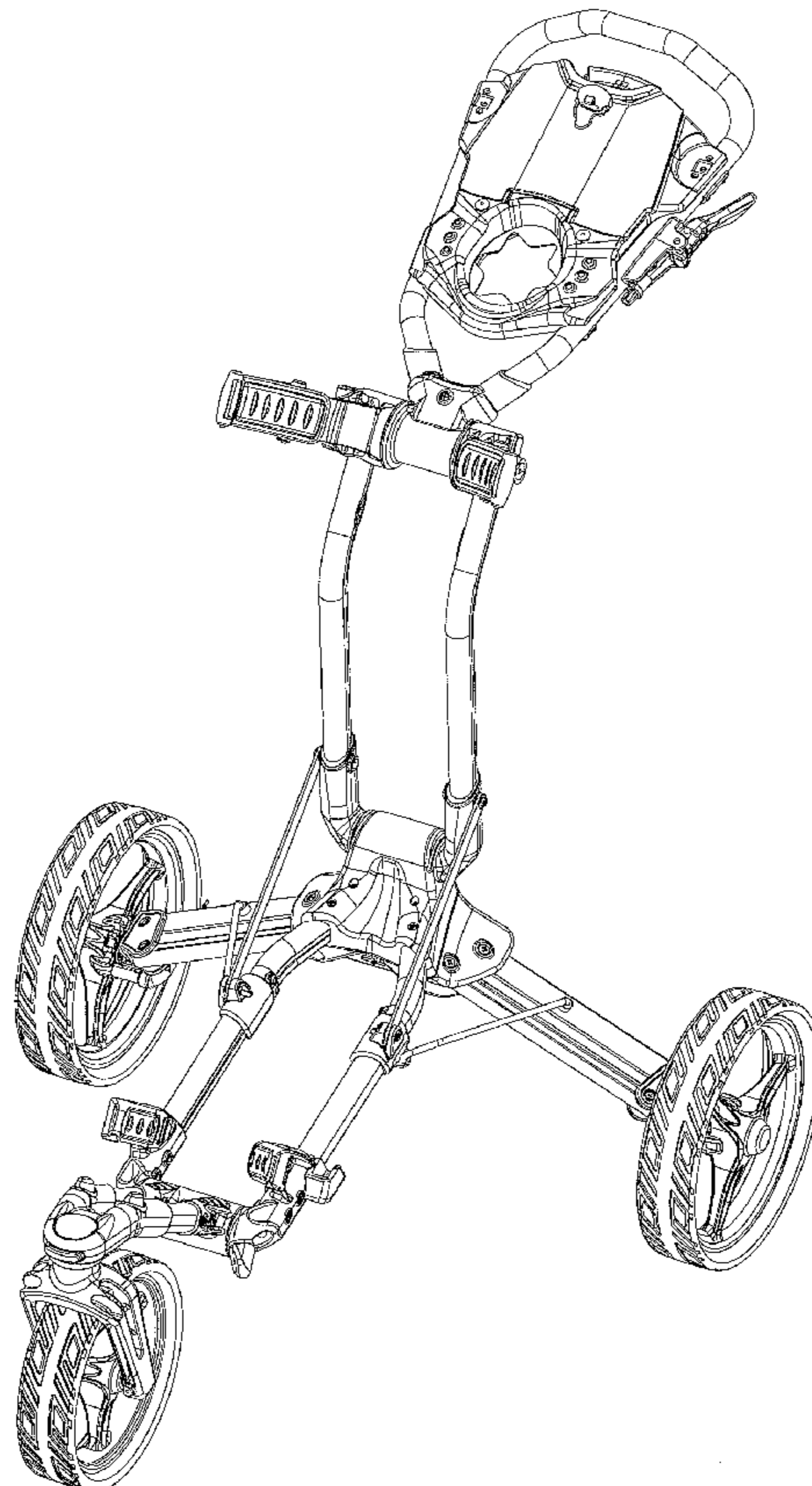
(57) **CLAIM**

The ornamental design for a golf cart, as shown and described.

**DESCRIPTION**

FIG. 1 is a perspective view of a golf cart showing my new design;  
FIG. 2 is a front elevational view thereof;  
FIG. 3 is a rear elevational view thereof;  
FIG. 4 is a left side elevational view thereof;  
FIG. 5 is a right side elevational view thereof;  
FIG. 6 is a top plan view thereof;  
FIG. 7 is a bottom plan view thereof; and,  
FIG. 8 is a perspective schematic view illustrating a golf cart showing my design being folded.

**1 Claim, 8 Drawing Sheets**



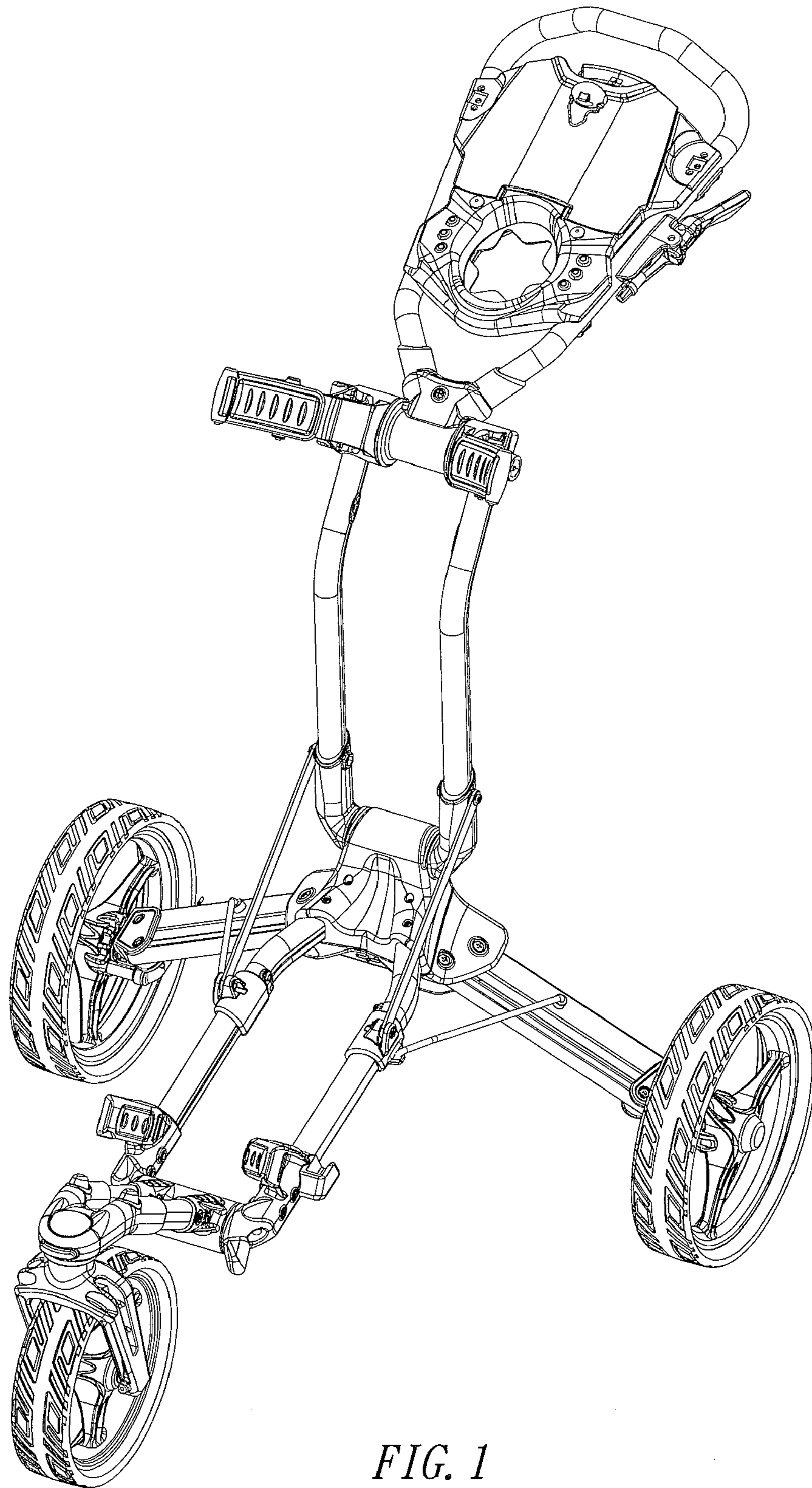


FIG. 1

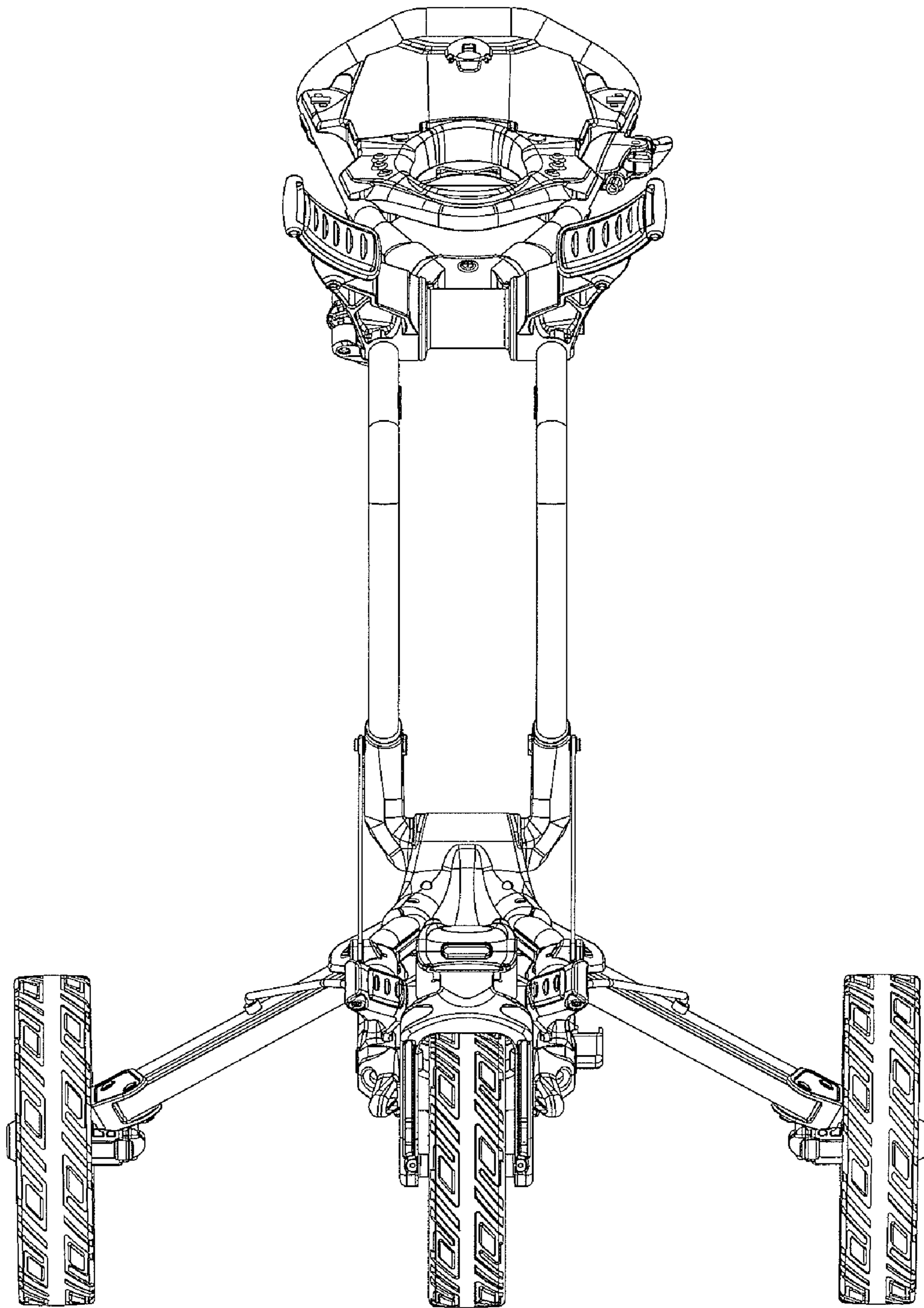


FIG. 2

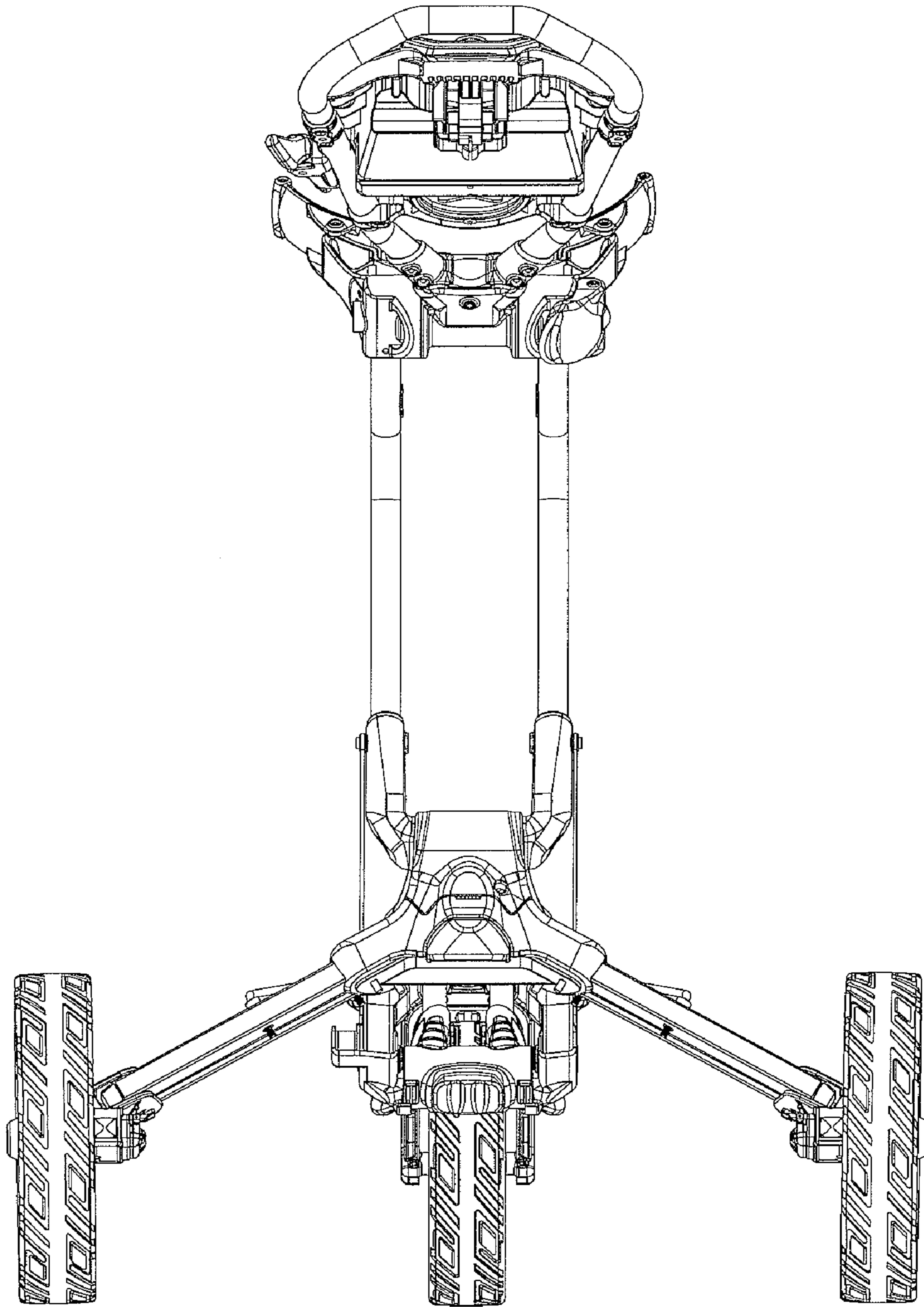


FIG. 3

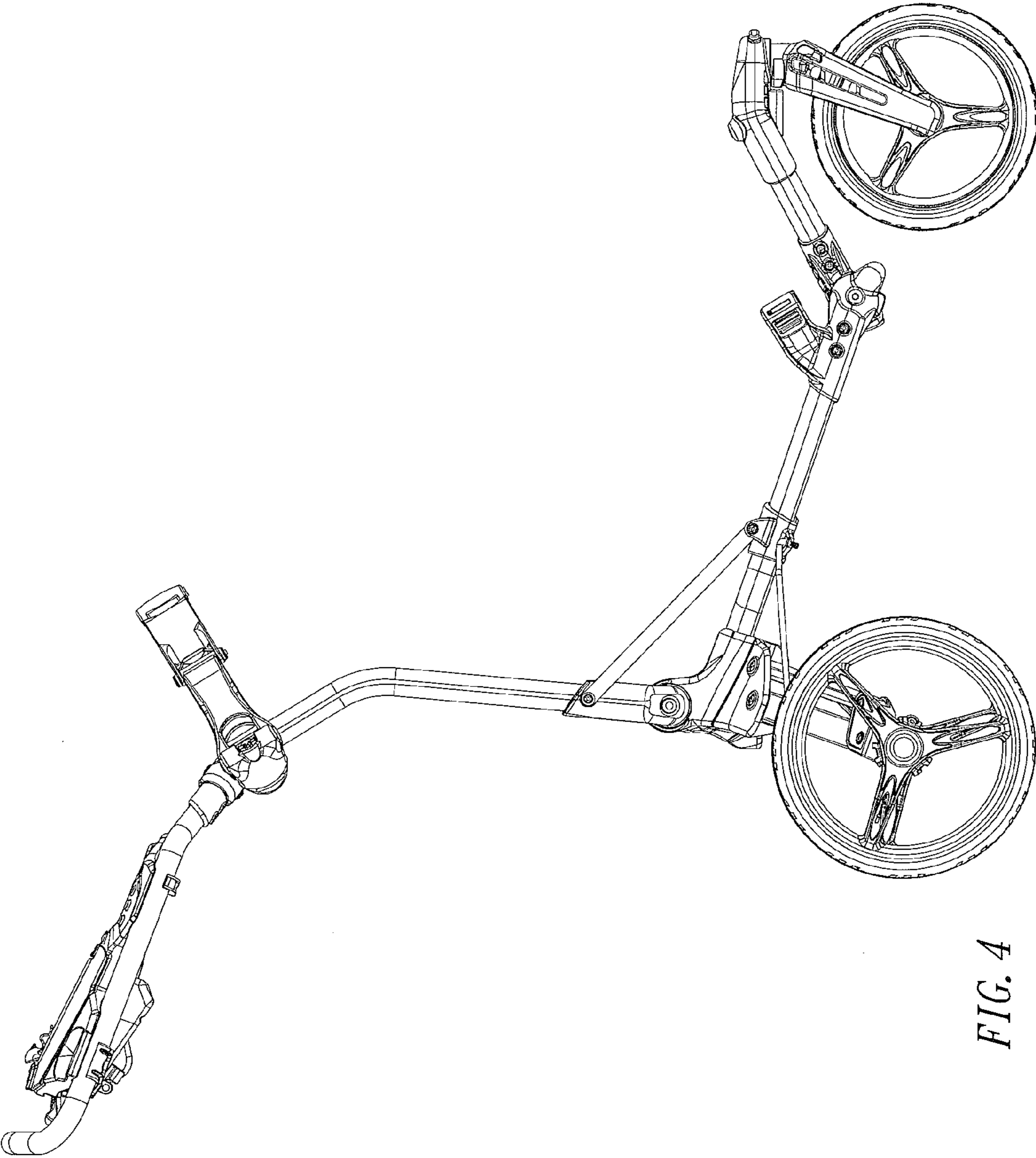


FIG. 4

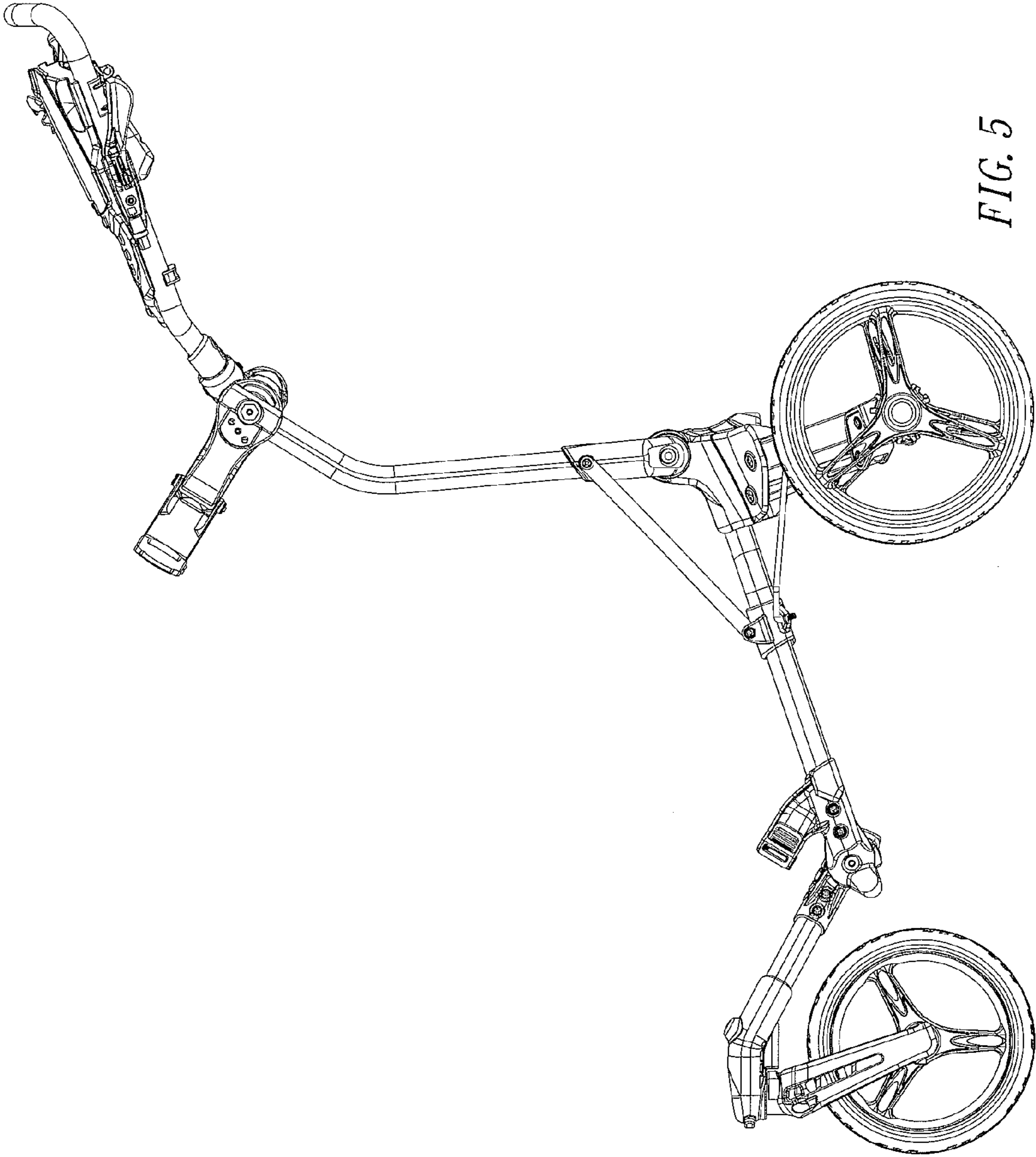


FIG. 5

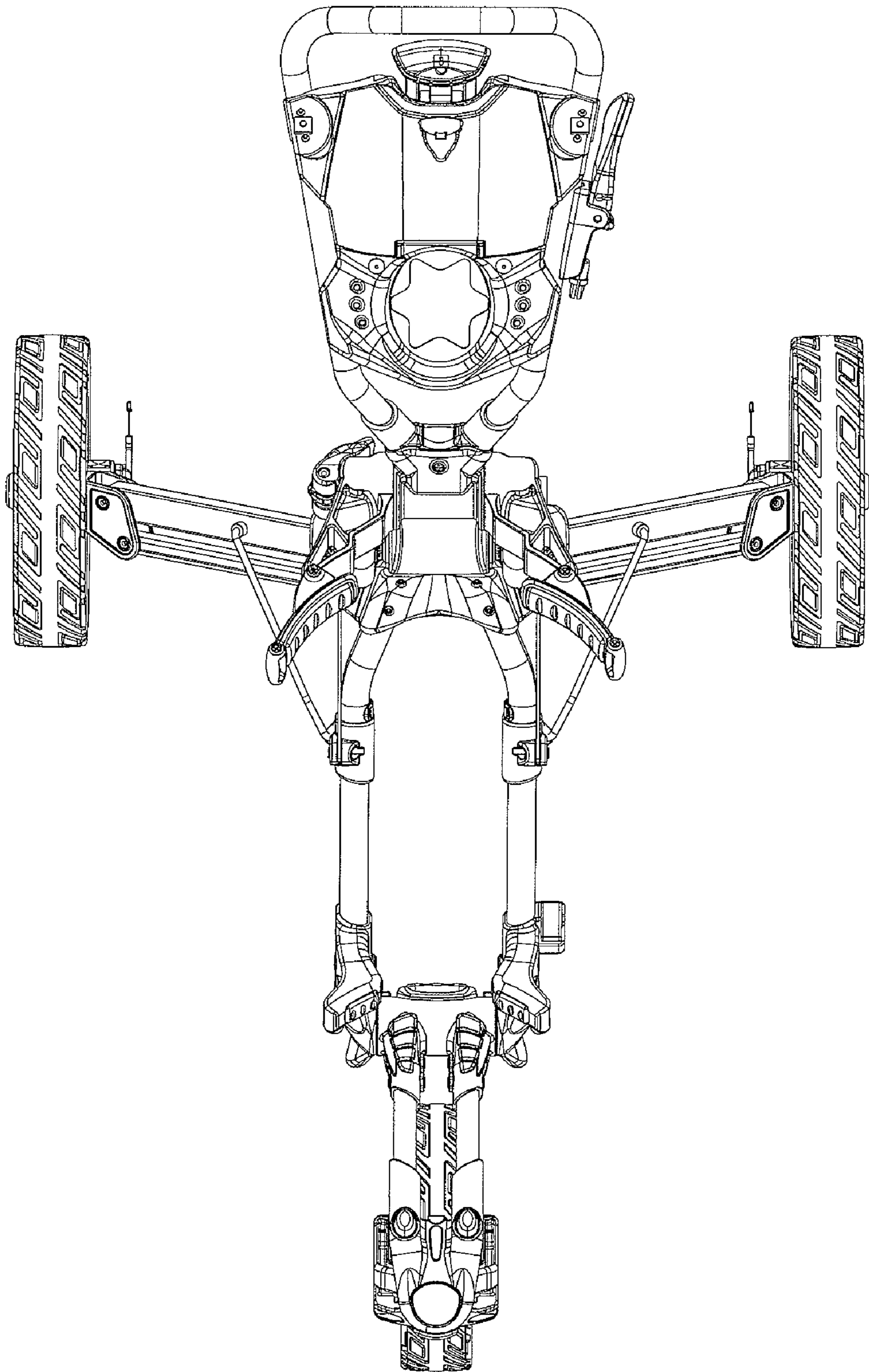


FIG. 6

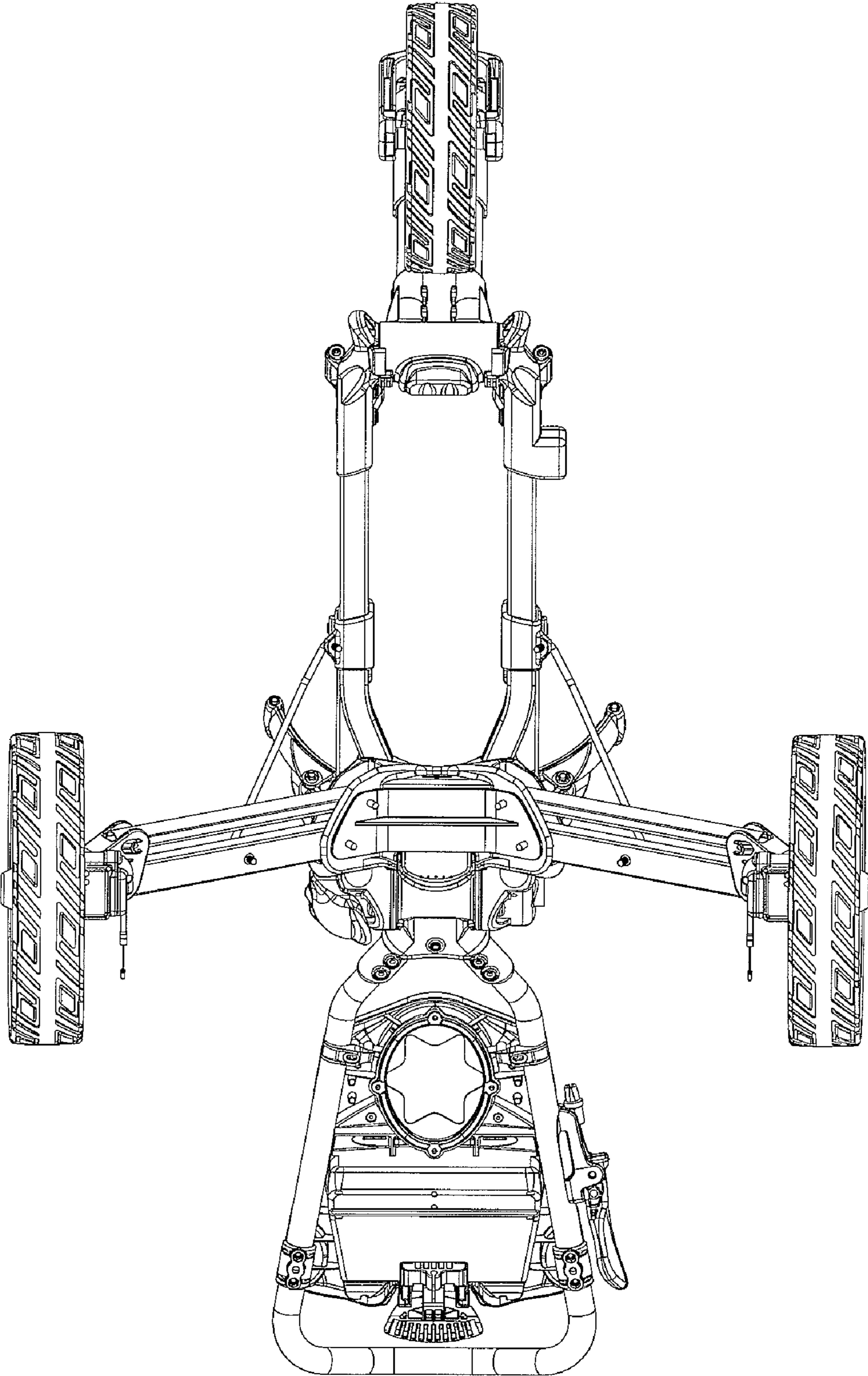
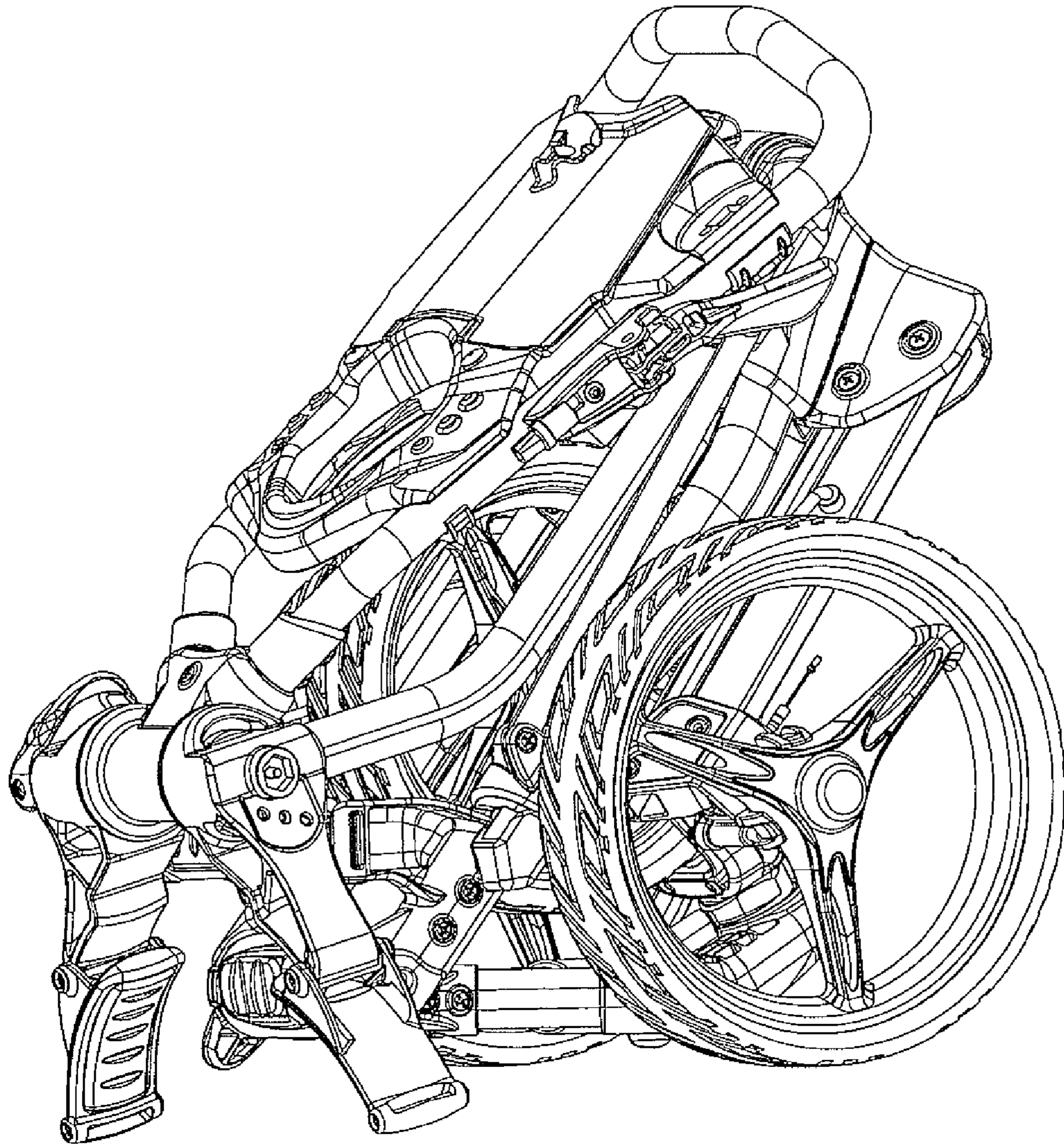


FIG. 7





*FIG. 8*