



US00D657519S

(12) **United States Design Patent**
Kluck

(10) **Patent No.:** **US D657,519 S**
(45) **Date of Patent:** **** Apr. 10, 2012**

- (54) **WASTE RECEPTACLE**
- (75) Inventor: **Scott M. Kluck**, Mequon, WI (US)
- (73) Assignee: **Bradley Corporation**, Menomonee Falls, WI (US)
- (**) Term: **14 Years**
- (21) Appl. No.: **29/385,920**
- (22) Filed: **Feb. 22, 2011**

D332,849 S 1/1993 Hines
 D334,266 S 3/1993 Hines
 5,226,625 A 7/1993 Hanna
 D338,361 S * 8/1993 Hines D6/524
 (Continued)

OTHER PUBLICATIONS

Big Willy Toilet Paper Dispenser, believed to have been publicly available before Nov. 15, 2010, 1 page.

(Continued)

Primary Examiner — Brian N Vinson
(74) *Attorney, Agent, or Firm* — Foley & Lardner LLP

Related U.S. Application Data

- (63) Continuation-in-part of application No. 29/379,126, filed on Nov. 15, 2010.
- (51) **LOC (9) Cl.** **09-09**
- (52) **U.S. Cl.** **D34/1**
- (58) **Field of Classification Search** D6/515-524;
 D34/1, 11; 211/13.1, 71.01, 85.19, 88.01;
 221/33, 45, 282-283; 248/905; 312/34.1,
 312/34.4; 220/908, 908.1, 911, 912, 913
 See application file for complete search history.

(57) **CLAIM**

I claim the ornamental design for a waste receptacle, as shown and described.

DESCRIPTION

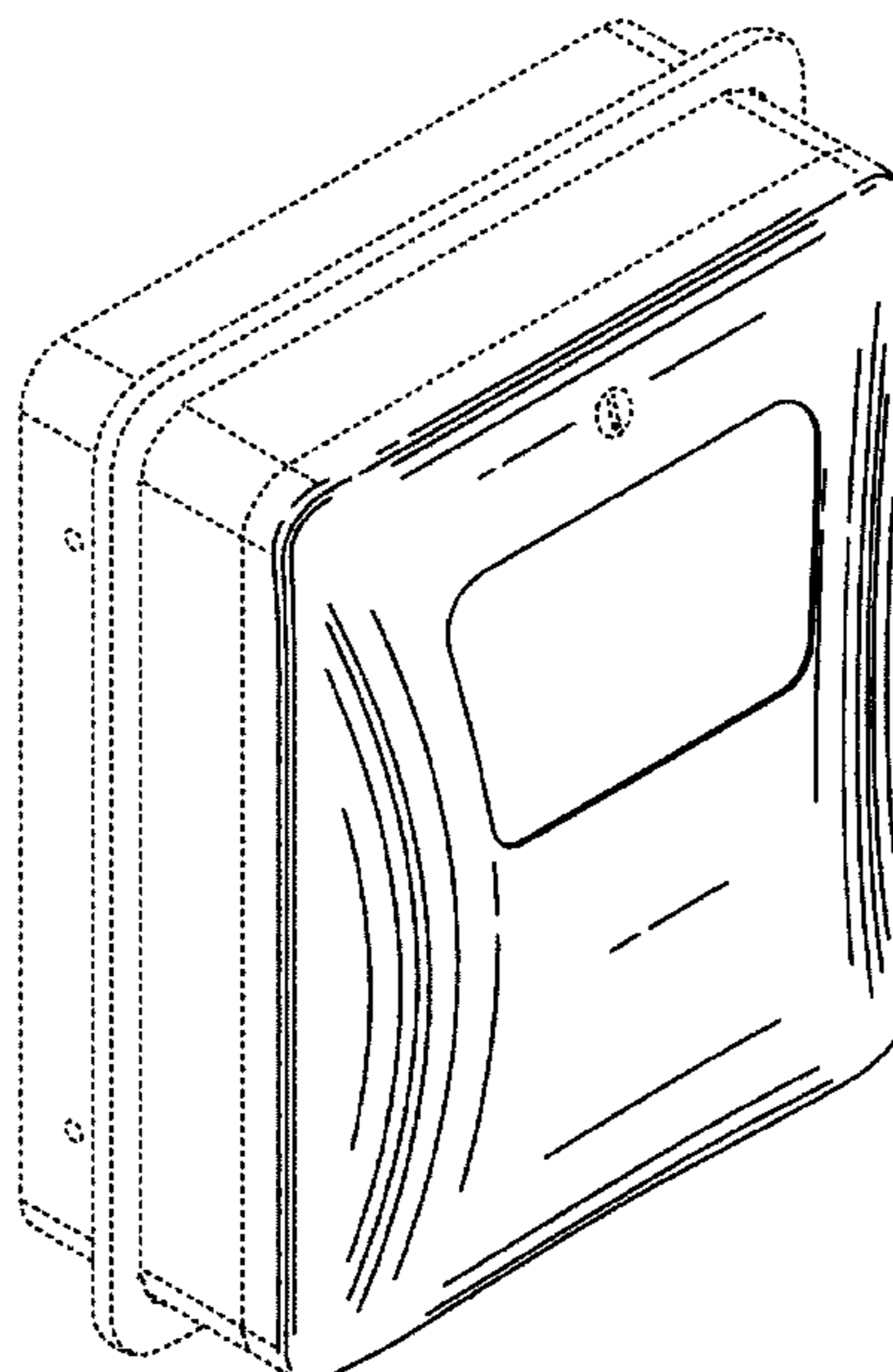
FIG. 1 is a perspective view from above of a waste receptacle showing my new design;
 FIG. 2 is a second perspective view from above of the claimed design of FIG. 1;
 FIG. 3 is a front view of the claimed design of FIG. 1;
 FIG. 4 is a rear view of the claimed design of FIG. 1;
 FIG. 5 is a left side view of the claimed design of FIG. 1;
 FIG. 6 is a right side view of the claimed design of FIG. 1;
 FIG. 7 is a top view of the claimed design of FIG. 1; and,
 FIG. 8 is a bottom view of the claimed design of FIG. 1.
 The ornamental design which is claimed is shown in solid lines in the drawings. The broken lines in the drawings are for illustrative purposes only and form no part of the claimed design. The dot-dash lines in the drawings define boundaries of the claimed design and form no part thereof.

(56) **References Cited**

U.S. PATENT DOCUMENTS

- 1,800,826 A * 4/1931 Feltault 312/242
- D219,066 S * 10/1970 Biggar D6/519
- D283,573 S * 4/1986 Bernard D6/519
- 4,617,655 A 10/1986 Aldenhoven
- 4,707,933 A 11/1987 Keck et al.
- 4,949,877 A 8/1990 Hanna et al.
- 4,964,544 A 10/1990 Hanna et al.
- D332,194 S 1/1993 Hines
- D332,195 S 1/1993 Hines
- D332,196 S 1/1993 Hines
- D332,365 S 1/1993 Hines
- D332,542 S 1/1993 Hines
- D332,679 S 1/1993 Hines

1 Claim, 8 Drawing Sheets



US D657,519 S

Page 2

U.S. PATENT DOCUMENTS

D340,374 S * 10/1993 Hines D6/519
D341,724 S * 11/1993 Hines D6/519
5,261,619 A 11/1993 Merriweather
D342,175 S * 12/1993 Hines D6/519
5,605,265 A 2/1997 Hanna
D385,445 S 10/1997 Arbak et al.
D401,708 S 11/1998 Arbak et al.
5,957,324 A 9/1999 Gettelman et al.
D416,726 S 11/1999 Kurti et al.
5,988,451 A 11/1999 Hanna
D426,412 S 6/2000 Cameron
6,119,901 A 9/2000 Hanna et al.
6,129,245 A 10/2000 Redman et al.
6,131,771 A 10/2000 Hanna
6,276,027 B1 8/2001 Hanna
6,502,721 B2 1/2003 Redman et al.
D482,221 S * 11/2003 Phelps et al. D6/518
D483,207 S * 12/2003 Winslow D6/519
D493,312 S * 7/2004 Collins et al. D6/518
D520,277 S * 5/2006 Smiley et al. D6/518
D520,703 S * 5/2006 Nordgren et al. D34/1
D522,781 S * 6/2006 Wieser et al. D6/518
D546,081 S 7/2007 Babikian et al.
D551,476 S * 9/2007 Cittadino et al. D6/519
D553,402 S * 10/2007 Orgna et al. D6/518
D579,249 S * 10/2008 Omdoll et al. D6/518
D594,754 S * 6/2009 Dretzka D6/518
D598,687 S * 8/2009 Serfaty D6/518
D607,171 S * 12/2009 Schwartz et al. D34/1
D610,322 S * 2/2010 Schwartz et al. D34/1
D612,121 S * 3/2010 Memari D34/1
D620,290 S * 7/2010 Herrera D6/518
D621,644 S * 8/2010 Johnson D6/515
D623,453 S * 9/2010 Benedetti D6/518
D641,119 S * 7/2011 Rampton et al. D34/1
D647,270 S * 10/2011 Madsen D34/1
D648,585 S * 11/2011 Meyerhoffer D6/518
D650,622 S * 12/2011 Morand D6/518

2002/0100771 A1 8/2002 Redman et al.
2003/0071074 A1 4/2003 Redman et al.
2004/0164093 A1 8/2004 Redman et al.
2005/0133529 A1 6/2005 Redman et al.
2007/0023565 A1 2/2007 Babikian et al.
2007/0075579 A1 4/2007 Babikian et al.
2007/0151980 A1 7/2007 Babikian et al.
2008/0251528 A1 10/2008 Babikian et al.

OTHER PUBLICATIONS

Columbia Accessories: A Division of PSiSC, 2009 Washroom Accessories Catalog, <http://www.psis.com/catalogs/acc.pdf>, Accessed Mar. 3, 2011, 2 pages.

Durchdacht bis ins Detail, Photos of Trash Receptacle, Paper Towel Dispenser, Toilet Paper Dispenser, Soap Dispenser, believed to have been publicly available before Nov. 15, 2010, 2 pages.

Ille Folded Paper and Soap Dispenser, believed to have been publicly available before Nov. 15, 2010, 1 page.

Palmer Fixture, Blustorm Hands Free High Speed Dryer, Hands-Free Universal Roll Towel Dispensers, <http://palmerfixture.com/product.php?id=194492>, Accessed Jul. 15, 2009, 1 page.

Palmer Fixture, Soap Dispenser Bulk Electronic SE800, <http://www.palmerfixture.com/product.php?id=191859>, Accessed Jul. 15, 2009, 1 page.

Paper Towel Dispenser and Tissue Dispenser, ABS Plastic, http://www.allproducts.com/household/fanda/16-pull_towel_dispenser.html, Accessed Jul. 15, 2009, 1 page.

Pro Cleaning Solutions: Paper Products: Sofpull Centrepull Towel Di, <http://procleaning.com/xcart/product.php?productid=176&cat=3&page=5>, Accessed Jul. 15, 2009, 1 page.

The Royal Connection, American Specialties, Inc., bearing a designation, © 2009, 8 pages.

Washroom Accessories Bobrick Color Catalog, believed to have been publicly available before Nov. 15, 2010, 52 pages.

* cited by examiner

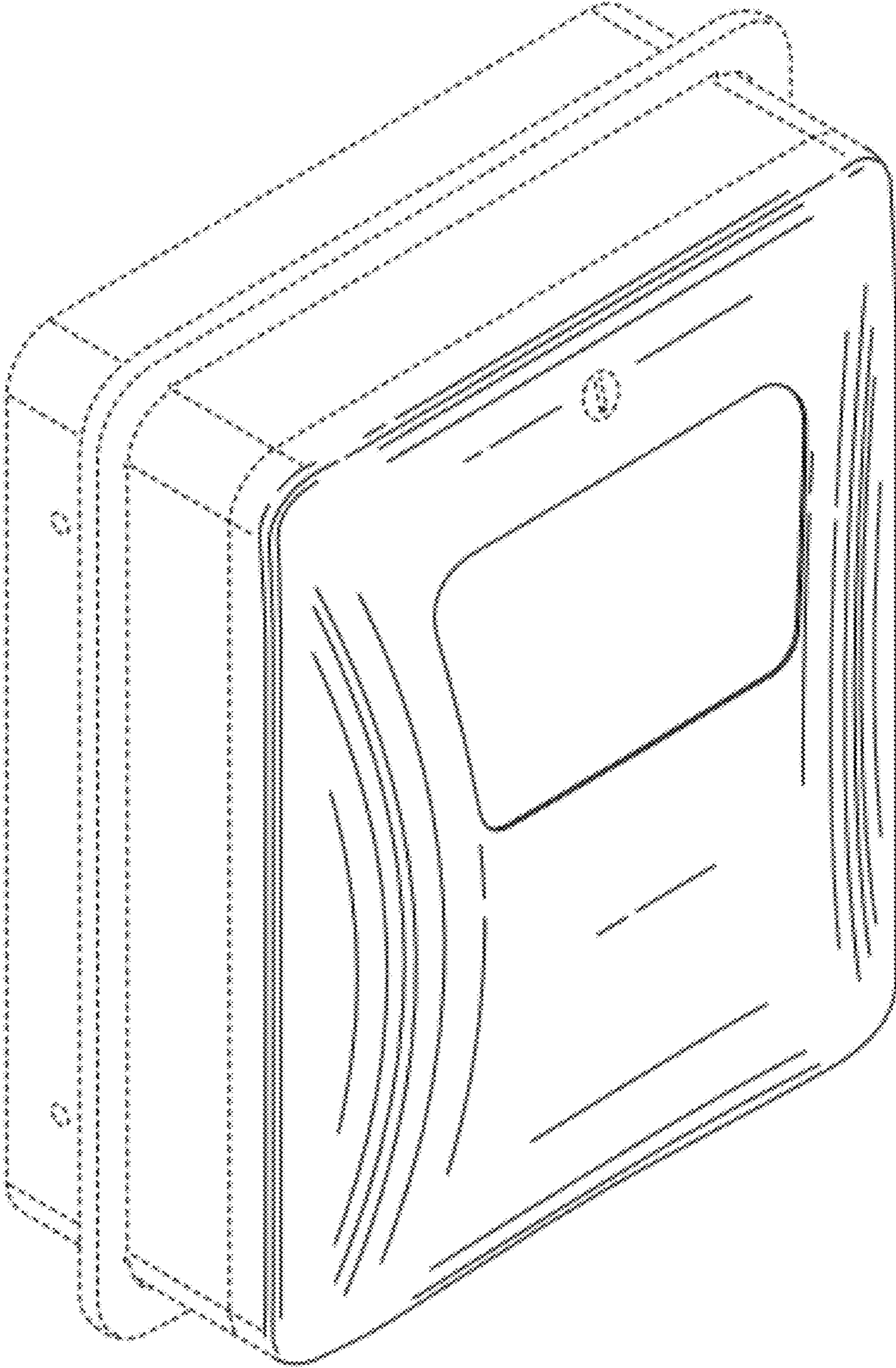


FIG. 1

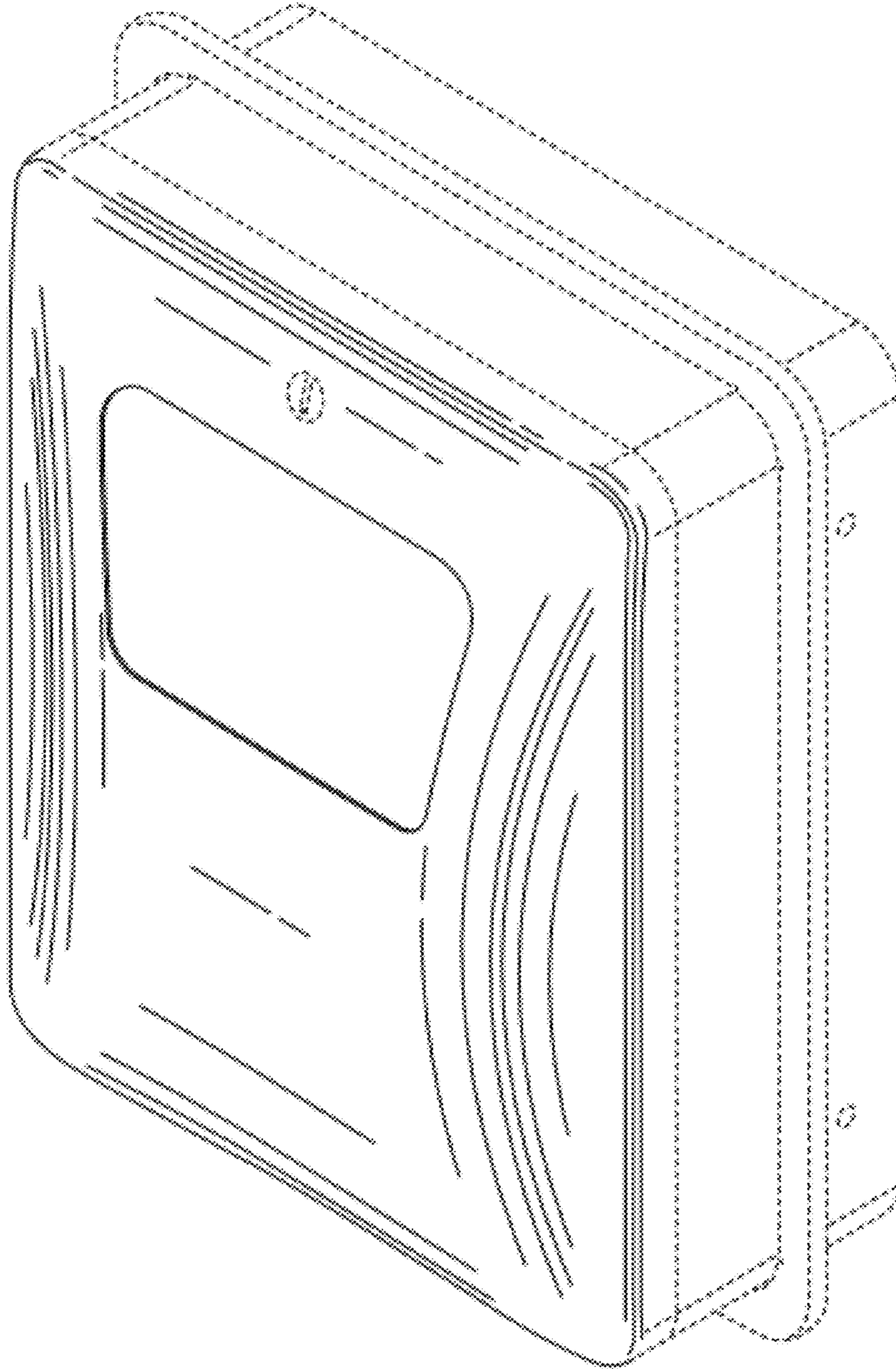


FIG. 2

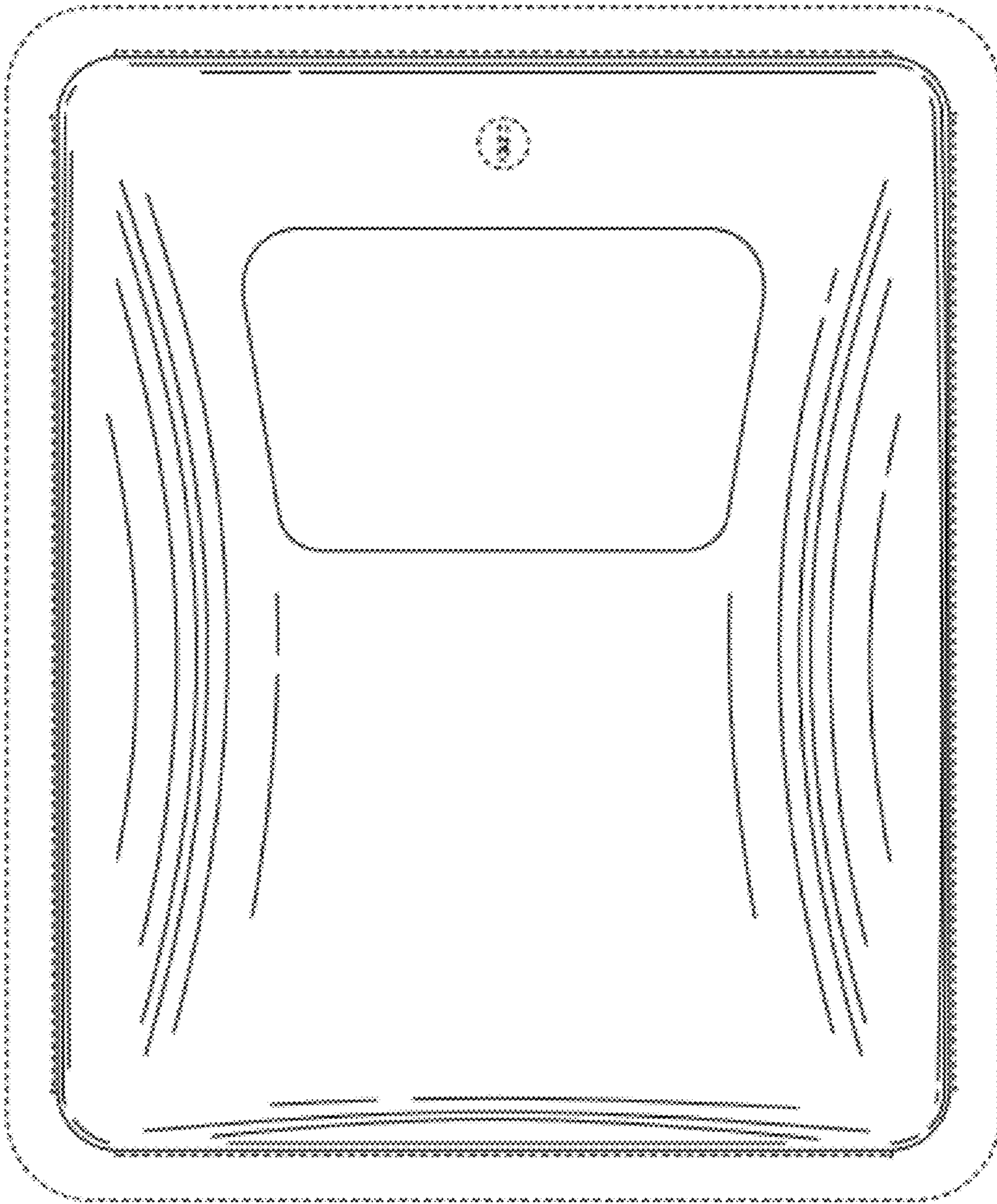


FIG. 3

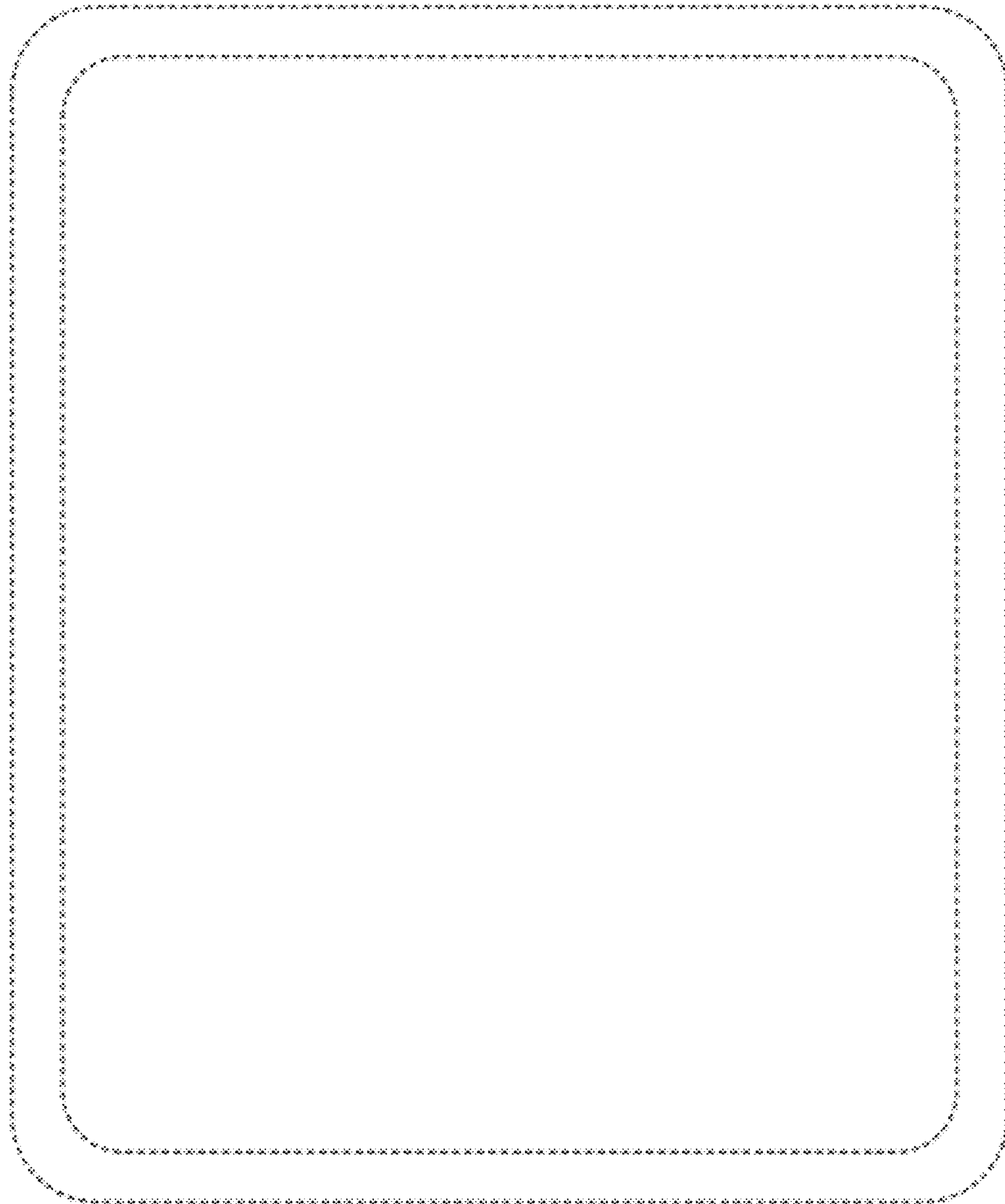


FIG. 4

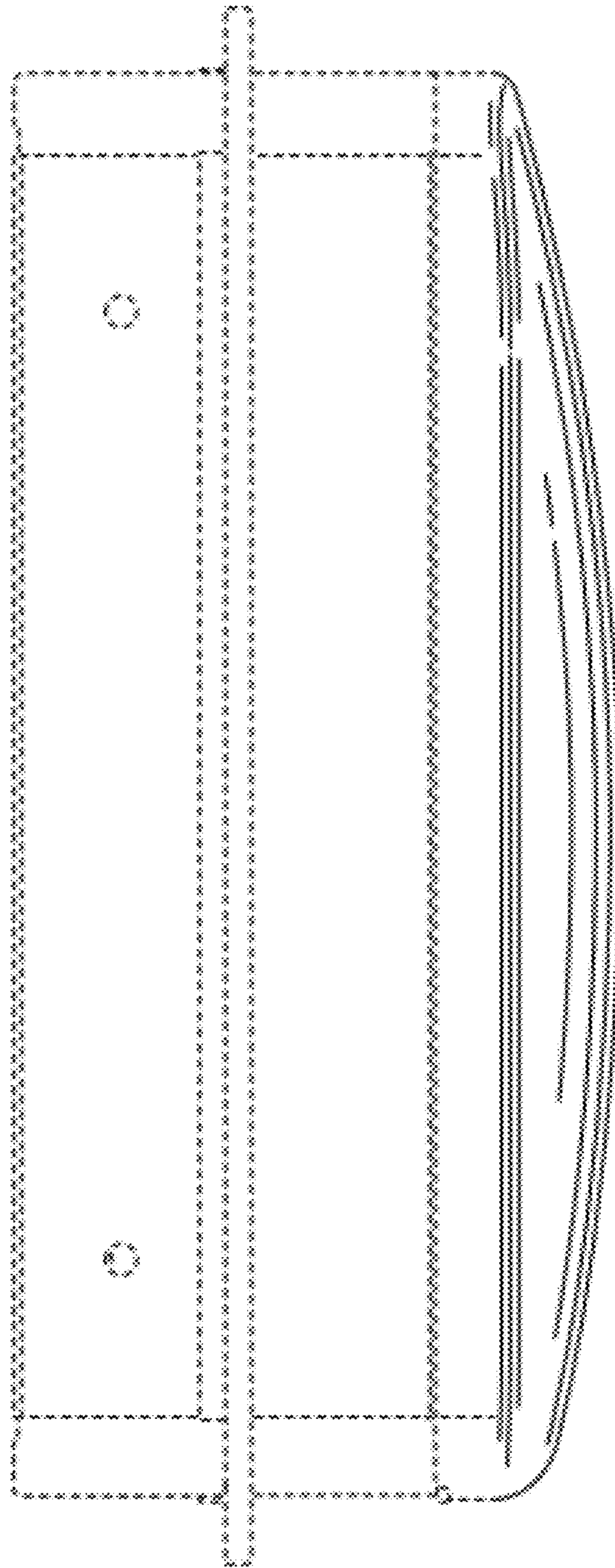


FIG. 5

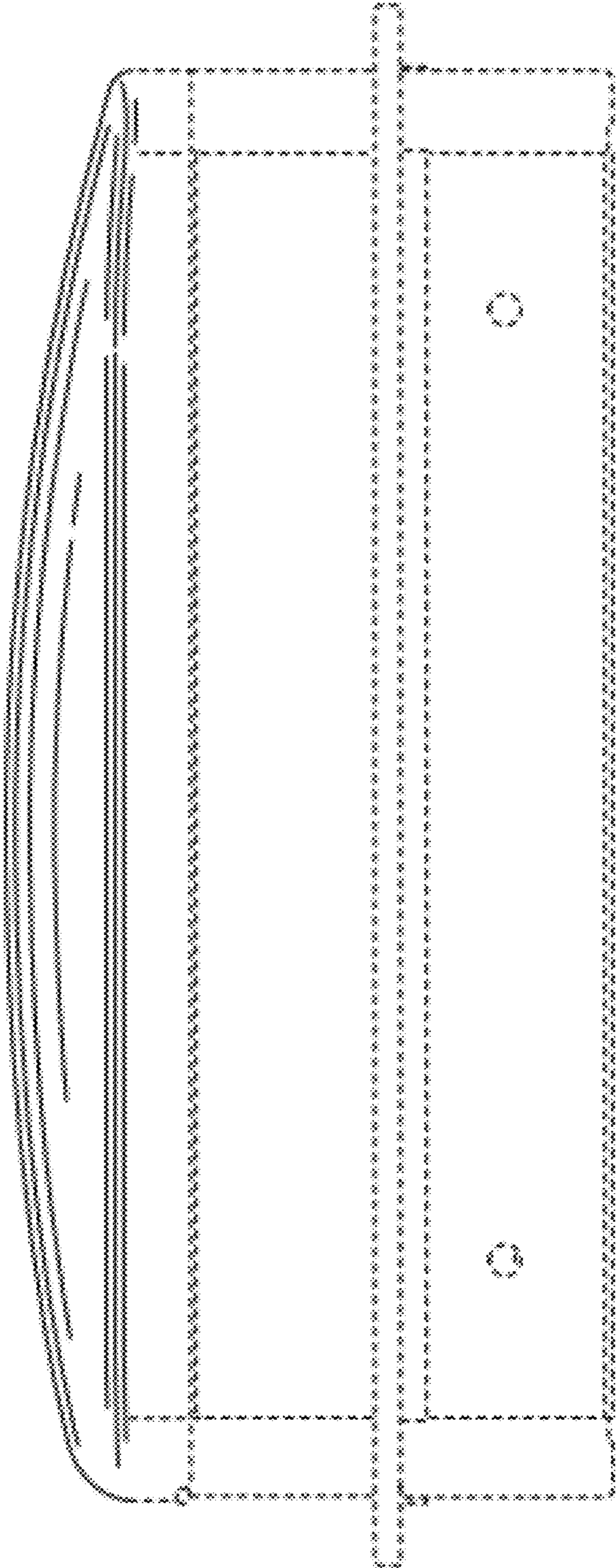


FIG. 6

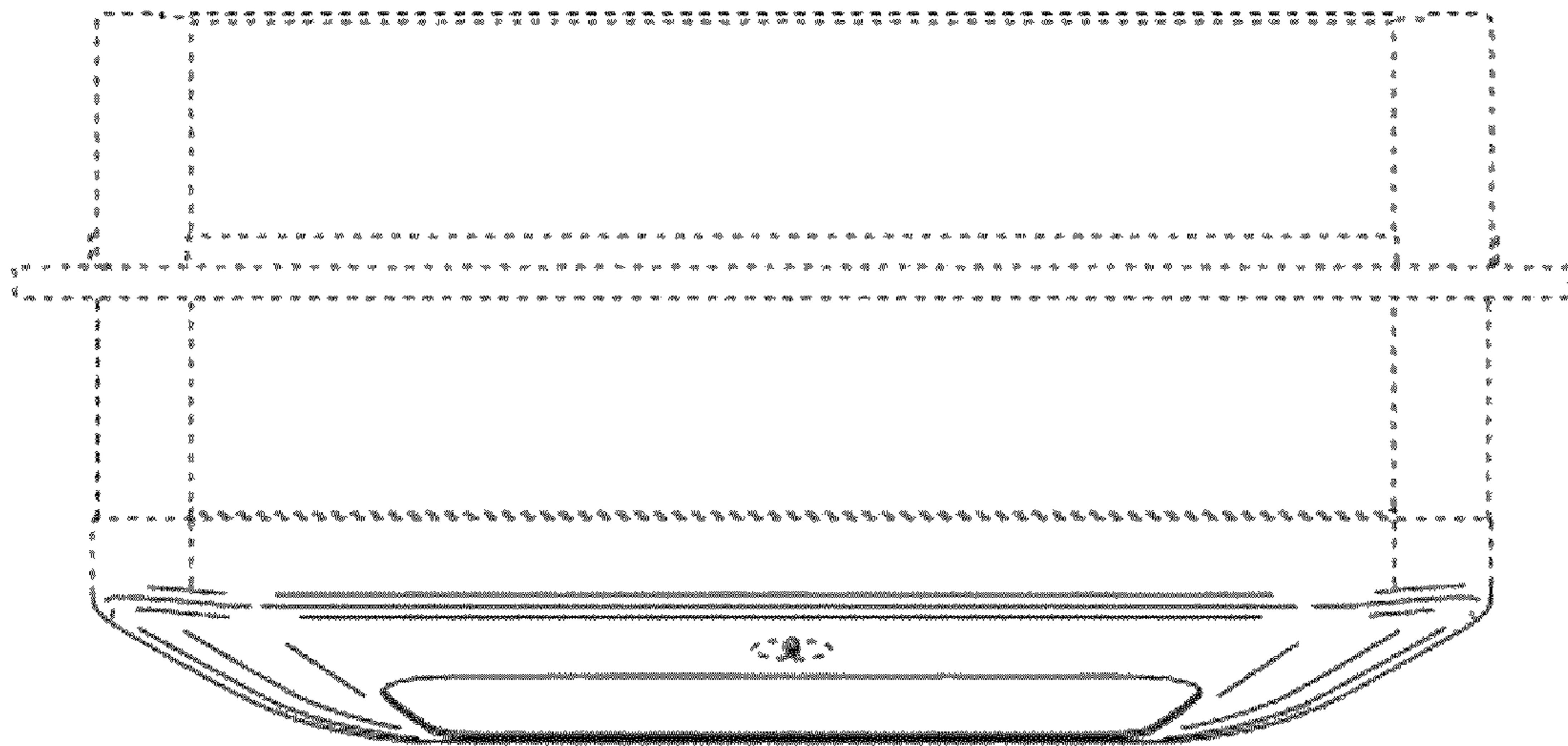


FIG. 7

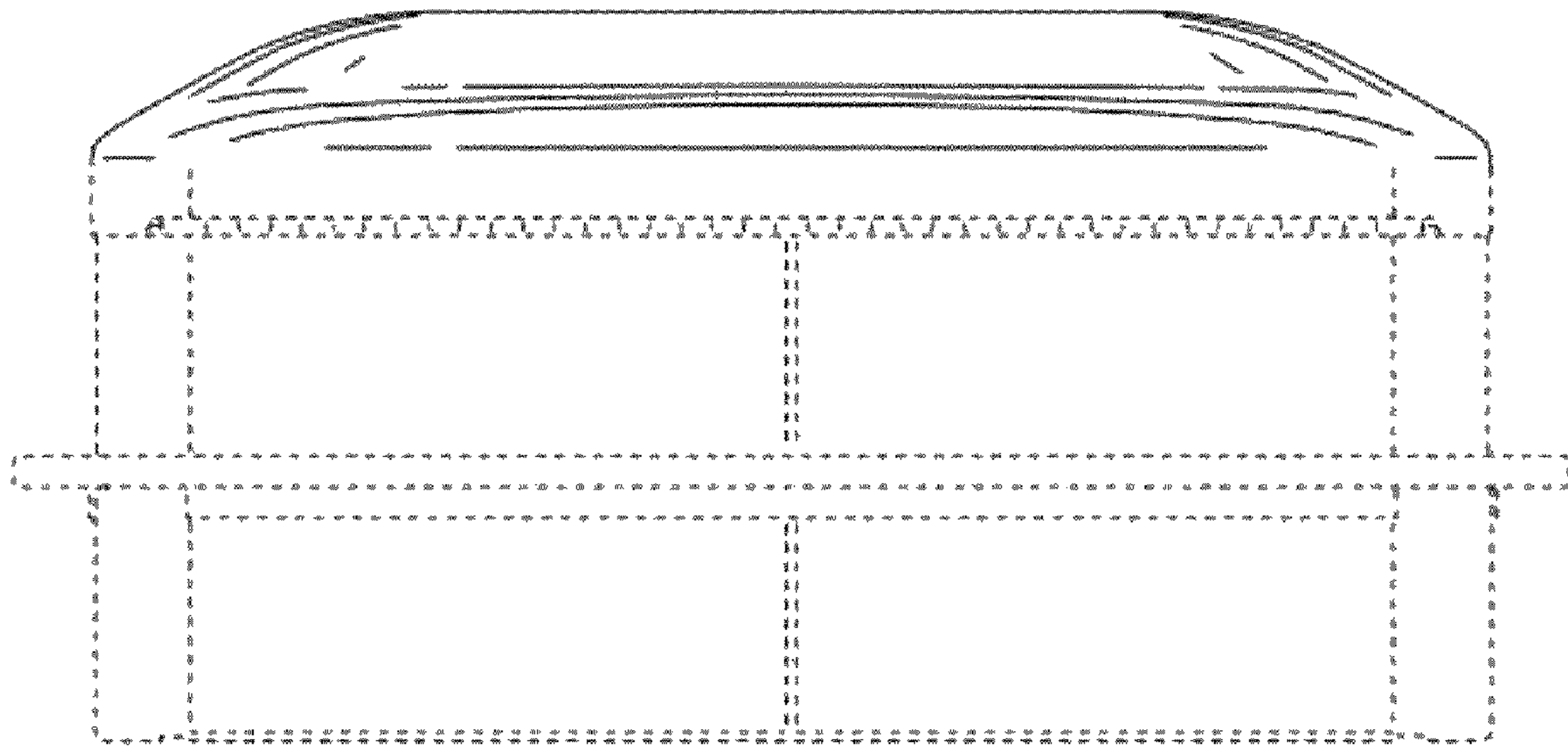


FIG. 8