



US00D657518S

(12) **United States Design Patent**
McGee et al.

(10) **Patent No.:** **US D657,518 S**
(45) **Date of Patent:** **** Apr. 10, 2012**

(54) **STEAM MOP**

(75) Inventors: **Brian R. McGee**, Acton, MA (US);
Stuart D. Babb, Milton, MA (US)

(73) Assignee: **Euro-Pro Operating LLC**, Newton,
MA (US)

(**) Term: **14 Years**

(21) Appl. No.: **29/386,827**

(22) Filed: **Mar. 4, 2011**

(51) **LOC (9) Cl.** **04-01**

(52) **U.S. Cl.** **D32/45**

(58) **Field of Classification Search** D32/40,
D32/45, 50, 51; 401/137-140, 40-42; 141/20.5
See application file for complete search history.

(56) **References Cited**

U.S. PATENT DOCUMENTS

| | | | |
|--------------|---------|------------------------|--------|
| D296,486 S | 6/1988 | Staubitz et al. | |
| D362,937 S | 10/1995 | Camp, Jr. et al. | |
| 5,455,980 A | 10/1995 | Buchanan | |
| D391,715 S | 3/1998 | Irwin et al. | |
| D398,099 S | 9/1998 | Leung | |
| D401,703 S | 11/1998 | Beechuk et al. | |
| 6,045,622 A | 4/2000 | Holt et al. | |
| D466,786 S | 12/2002 | Bourgeois et al. | |
| 6,588,045 B2 | 7/2003 | Fernandez | |
| 6,601,261 B1 | 8/2003 | Holt et al. | |
| D497,699 S | 10/2004 | Chi-Hsiang et al. | |
| 6,871,372 B2 | 3/2005 | Vosbikian et al. | |
| D505,762 S | 5/2005 | Lalanne et al. | |
| D507,088 S * | 7/2005 | Chi-Hsiang et al. | D32/45 |
| D510,467 S | 10/2005 | Kizaki et al. | |

| | | | |
|----------------|---------|--------------------|---------|
| 6,960,042 B1 * | 11/2005 | Hsiao | 401/138 |
| 6,979,371 B1 | 12/2005 | Policicchio et al. | |
| D514,267 S | 1/2006 | Tsai | |
| D515,759 S | 2/2006 | Fischer | |
| D583,118 S * | 12/2008 | Snyder | D32/51 |
| D591,921 S | 5/2009 | Rosenzweig et al. | |
| D597,717 S | 8/2009 | Rosenzweig et al. | |
| D602,218 S * | 10/2009 | Koenig et al. | D32/40 |
| D607,168 S * | 12/2009 | Libman et al. | D32/45 |
| D615,260 S * | 5/2010 | Koenig | D32/45 |
| D625,481 S * | 10/2010 | Raven | D32/51 |
| D631,217 S * | 1/2011 | Lavy | D32/45 |
| D636,958 S * | 4/2011 | Koenig et al. | D32/45 |

* cited by examiner

Primary Examiner — Robin V Webster

(74) *Attorney, Agent, or Firm* — Wolf, Greenfield & Sacks,
P.C.

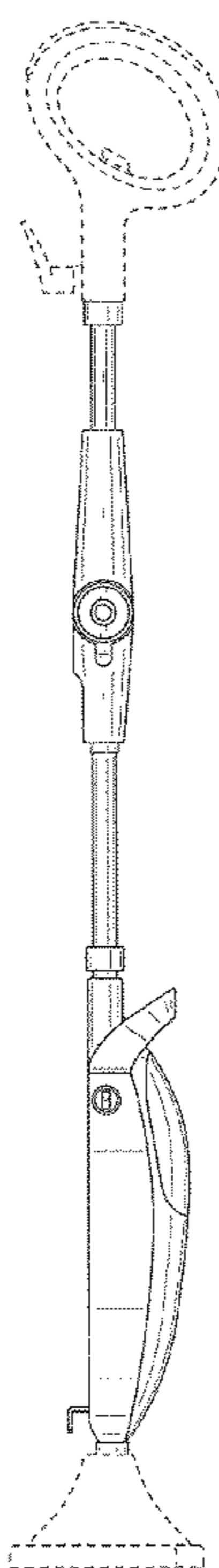
(57) **CLAIM**

The ornamental design for a steam mop, as shown and described.

DESCRIPTION

FIG. 1 is a front view of a steam mop in accordance with the present design;
FIG. 2 is a rear view thereof;
FIG. 3 is a left side view thereof;
FIG. 4 is a right side view thereof;
FIG. 5 is a top plan view thereof; and,
FIG. 6 is a bottom plan view thereof.
The broken lines showing mop handle and mop head are for illustrative purposes only and form no part of the claimed design.

1 Claim, 3 Drawing Sheets



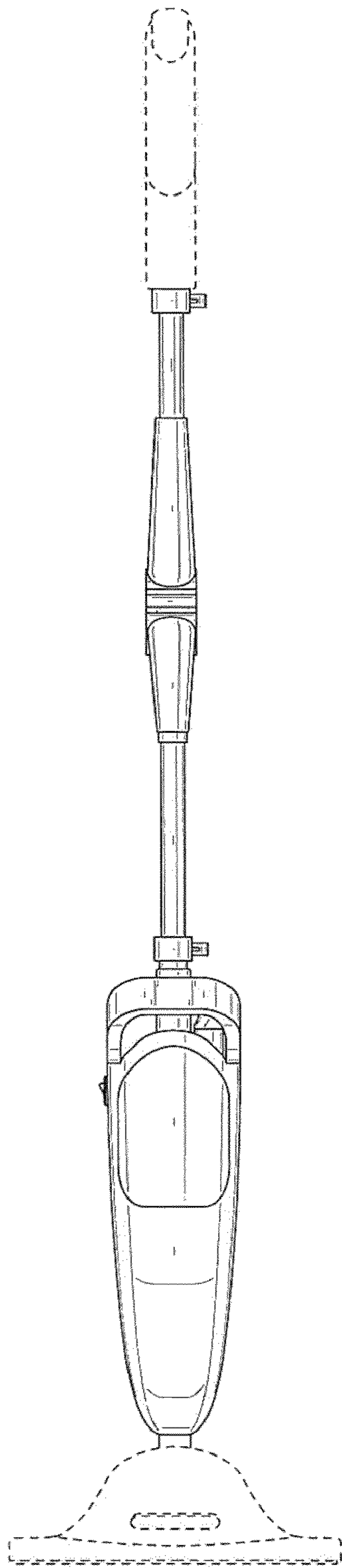


FIG. 1

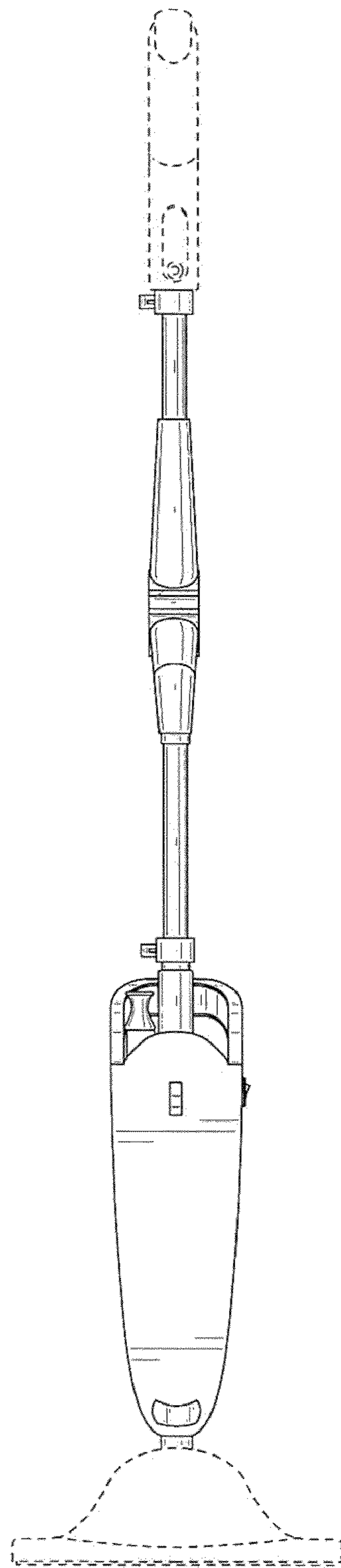


FIG. 2

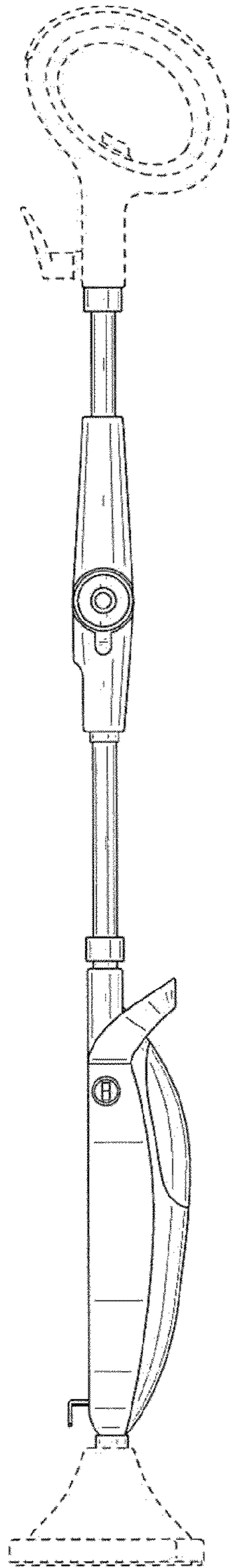


FIG. 3

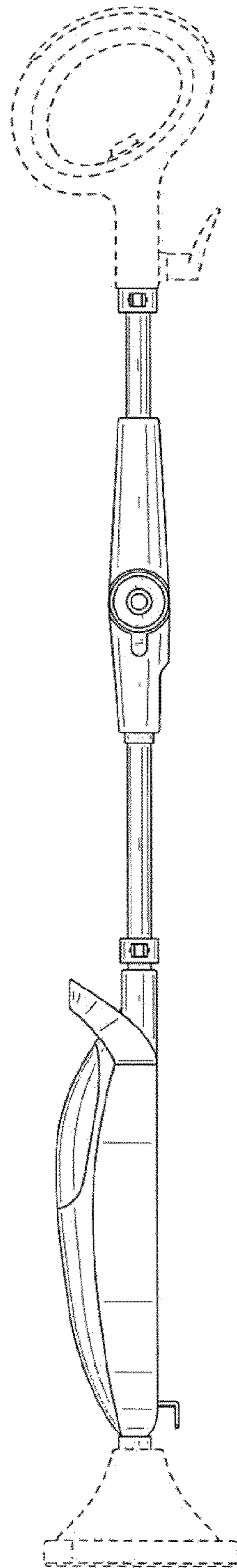


FIG. 4

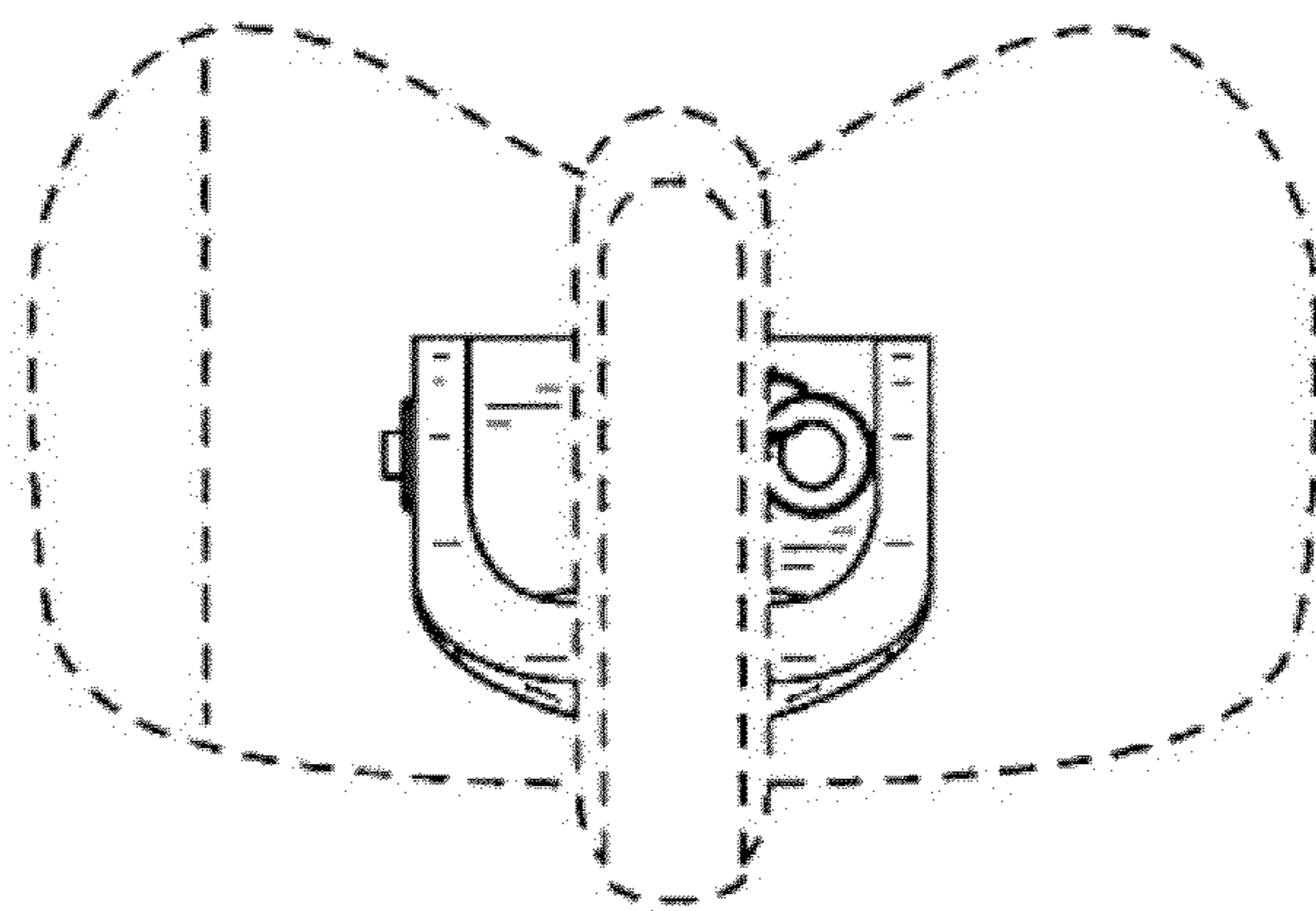


FIG. 5

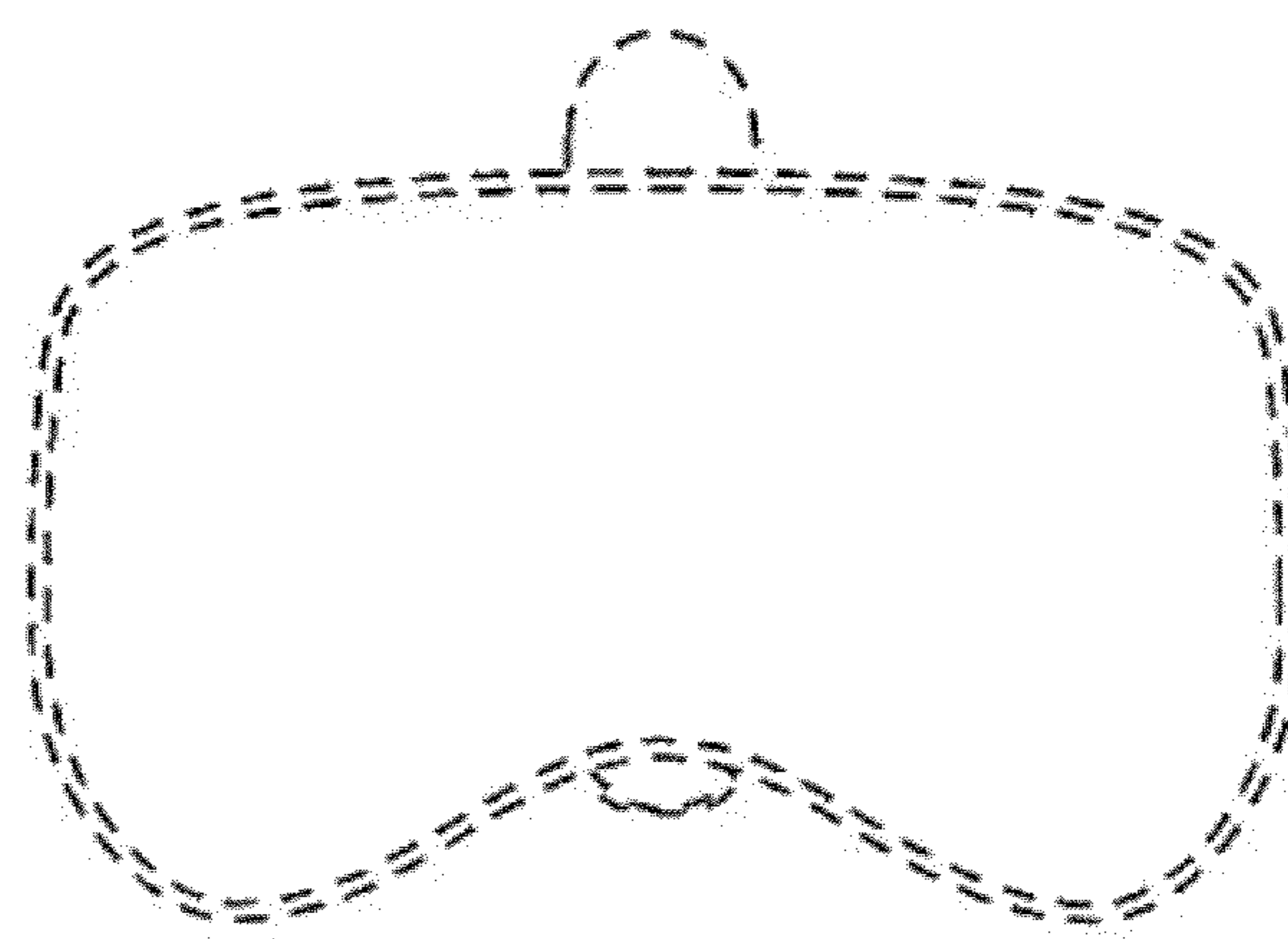


FIG. 6