



US00D657510S

(12) **United States Design Patent**
Chang et al.

(10) **Patent No.:** **US D657,510 S**

(45) **Date of Patent:** **** Apr. 10, 2012**

(54) **VACUUM CLEANER BAG FLANGE**

(75) Inventors: **Sok-Min Chang**, Charlotte, NC (US);
Donald J. Davidshofer, Charlotte, NC
(US); **William Reimer**, Harrisburg, NC
(US); **Brian Wang Sun**, Charlotte, NC
(US)

(73) Assignee: **Electrolux Home Care Products, Inc.**,
Charlotte, NC (US)

(**) Term: **14 Years**

(21) Appl. No.: **29/399,353**

(22) Filed: **Aug. 12, 2011**

(51) **LOC (9) Cl.** **15-05**

(52) **U.S. Cl.** **D32/30**

(58) **Field of Classification Search** D32/25,
D32/30-31; 55/DIG. 2, DIG. 3, 367, 369,
55/373-374, 376-378; 15/347-353, DIG. 8
See application file for complete search history.

(56) **References Cited**

U.S. PATENT DOCUMENTS

3,724,179	A *	4/1973	Leinfelt	55/367
3,751,881	A *	8/1973	Hughes	55/367
D251,668	S *	4/1979	Asberg	D32/30
4,861,357	A *	8/1989	Gavin et al.	55/367
5,039,324	A *	8/1991	Goldberg	55/367
5,045,099	A *	9/1991	Goldberg	55/367
5,064,455	A *	11/1991	Lackner	55/375
5,230,724	A *	7/1993	Marafante et al.	55/367
5,468,271	A *	11/1995	Sauer et al.	55/357
5,772,712	A *	6/1998	Perea et al.	55/367
5,792,224	A *	8/1998	Fu et al.	55/375
6,716,262	B2 *	4/2004	Zimet et al.	55/369
6,733,555	B1 *	5/2004	Wilder	55/367

6,746,501	B1 *	6/2004	Wilder et al.	55/367
D523,196	S *	6/2006	Bruneau	D32/30
D600,868	S *	9/2009	Rennecker et al.	D32/30
7,662,200	B2 *	2/2010	Knuth et al.	55/373
7,794,516	B2 *	9/2010	McAllise et al.	55/373
2003/0182907	A1 *	10/2003	Steele	55/374
2005/0098039	A1 *	5/2005	Davis et al.	95/273

* cited by examiner

Primary Examiner — T. Chase Nelson

Assistant Examiner — Kathleen M Sims

(74) *Attorney, Agent, or Firm* — Hunton & Williams

(57) **CLAIM**

The ornamental design for a vacuum cleaner bag flange, as shown and described.

DESCRIPTION

FIG. 1 is an isometric view of a vacuum cleaner bag flange showing the claimed design.

FIG. 2 is a front elevation view of the vacuum cleaner bag flange of FIG. 1.

FIG. 3 is a rear elevation view of the vacuum cleaner bag flange of FIG. 1.

FIG. 4 is a right elevation view of the vacuum cleaner bag flange of FIG. 1.

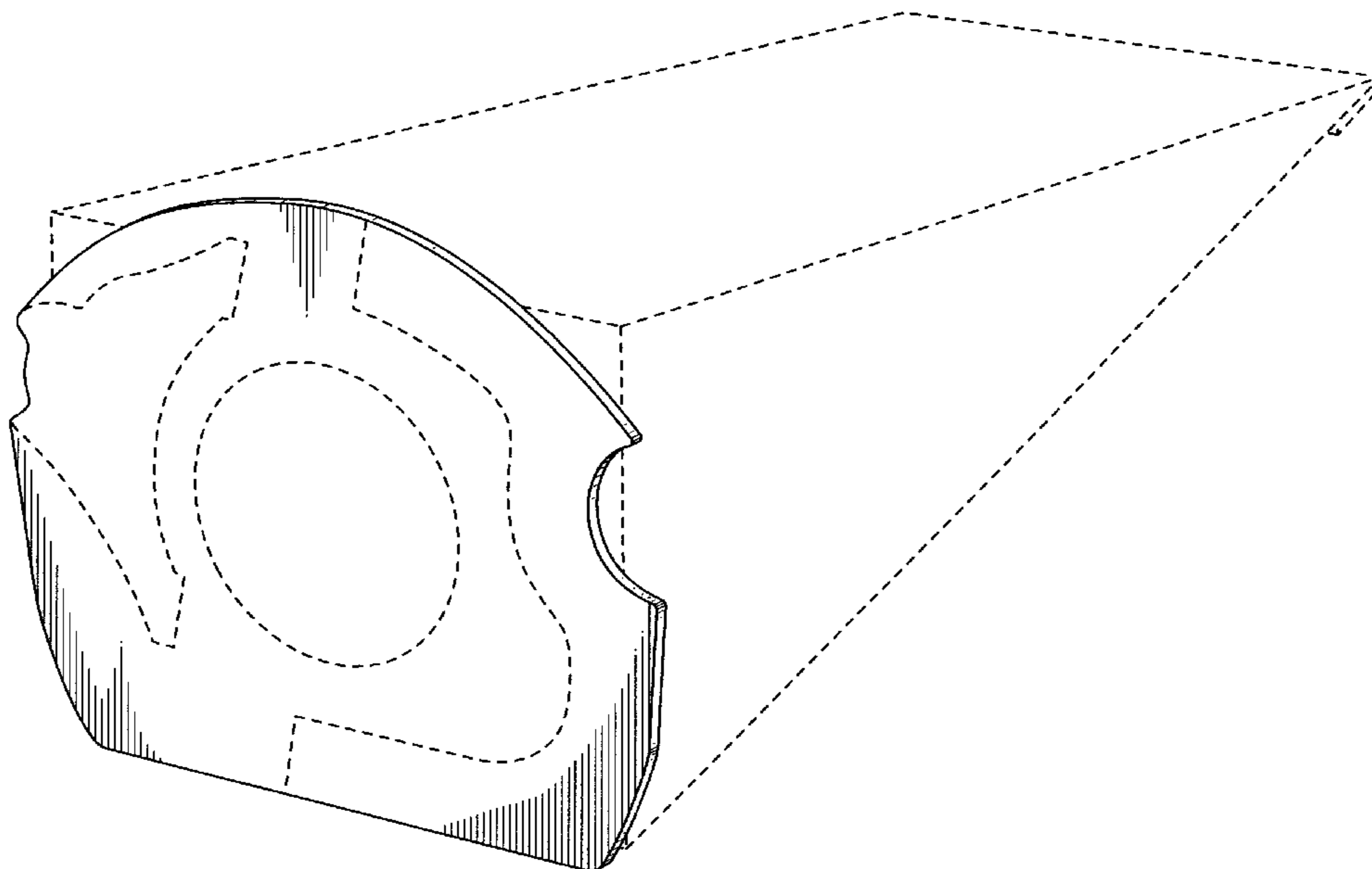
FIG. 5 is a left elevation view of the vacuum cleaner bag flange of FIG. 1.

FIG. 6 is a top plan view of the vacuum cleaner bag flange of FIG. 1; and,

FIG. 7 is a bottom plan view of the vacuum cleaner bag flange of FIG. 1.

The details shown in broken lines illustrate environment and form no part of the claimed design.

1 Claim, 6 Drawing Sheets



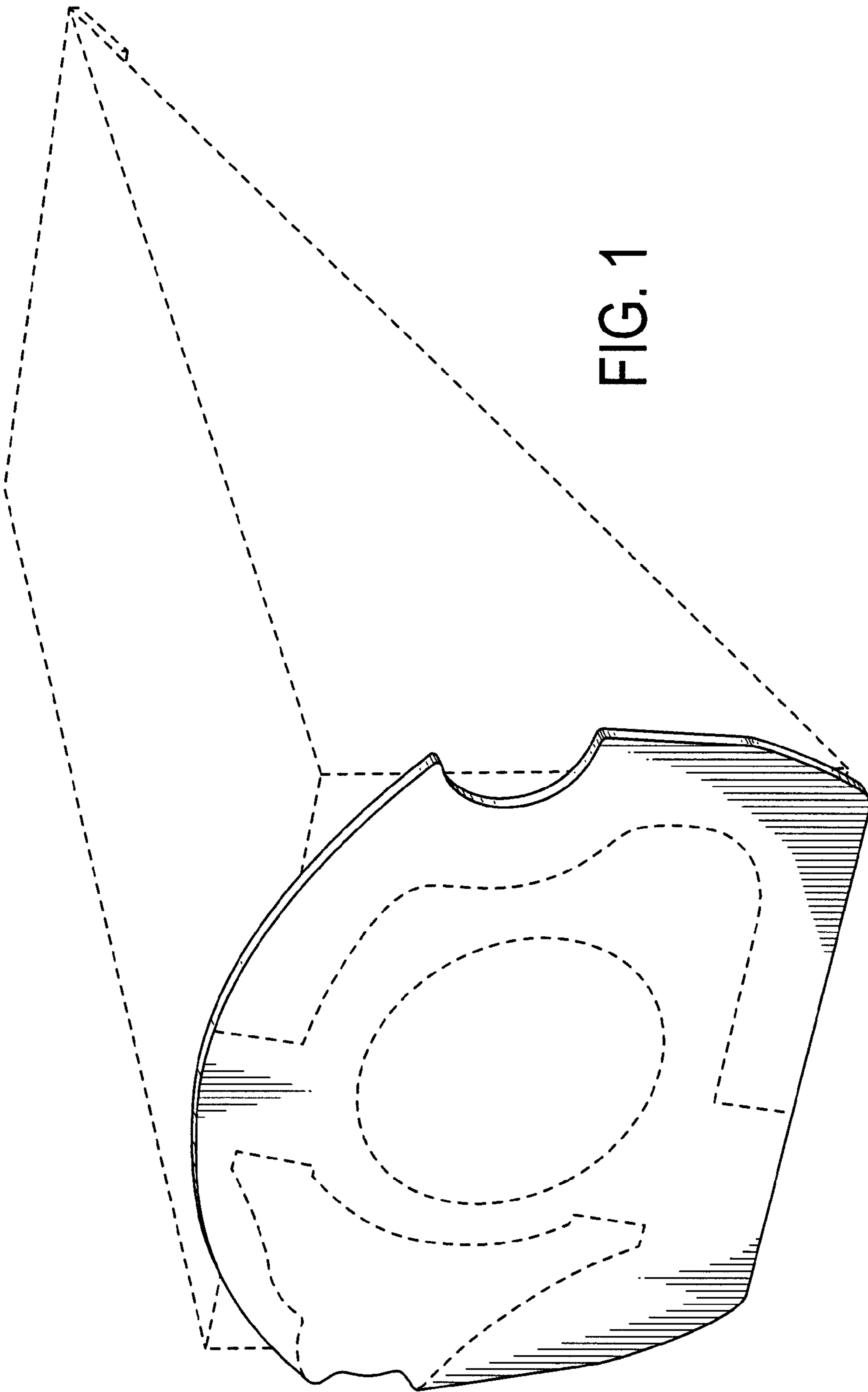


FIG. 1

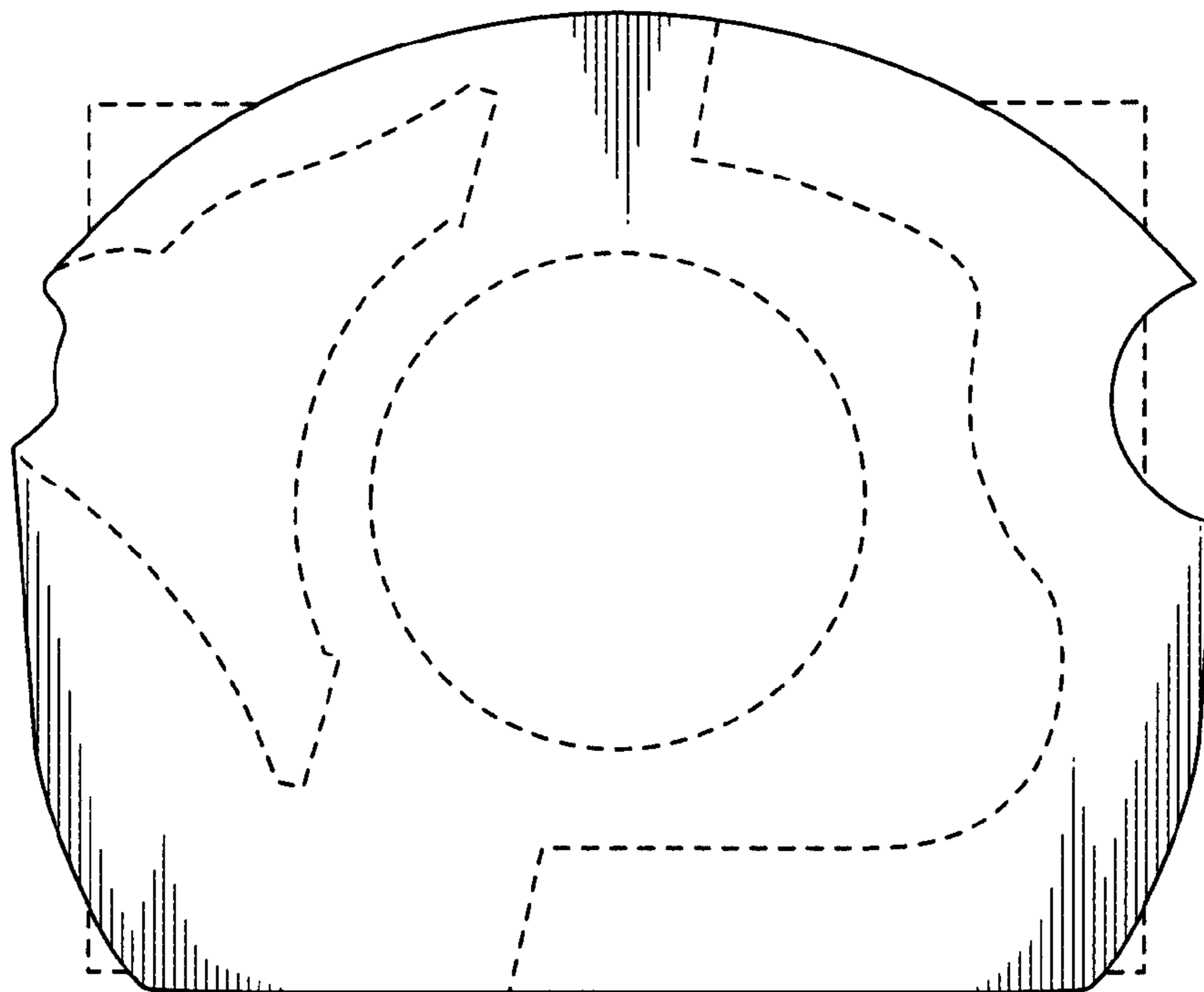


FIG. 2

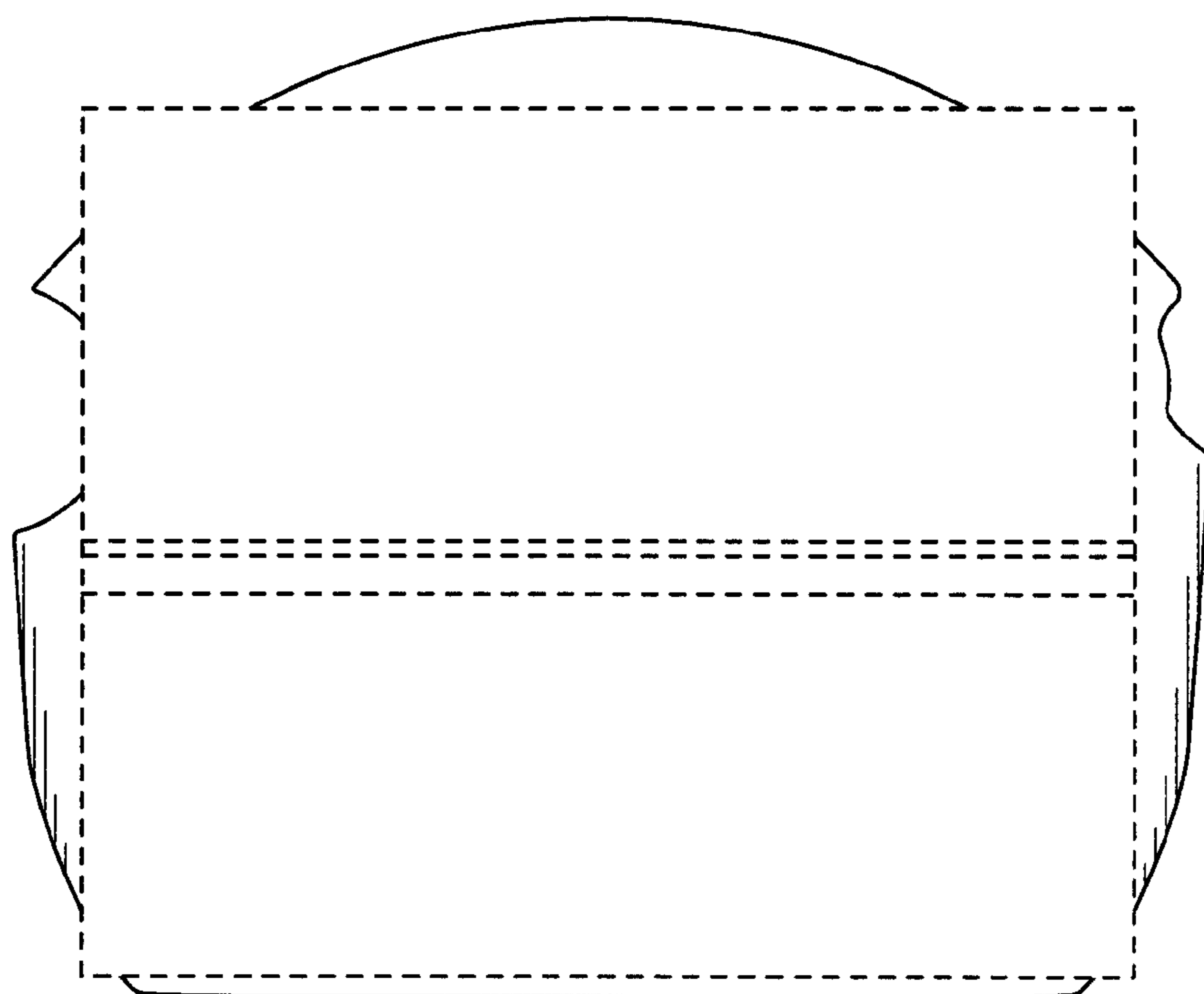


FIG. 3

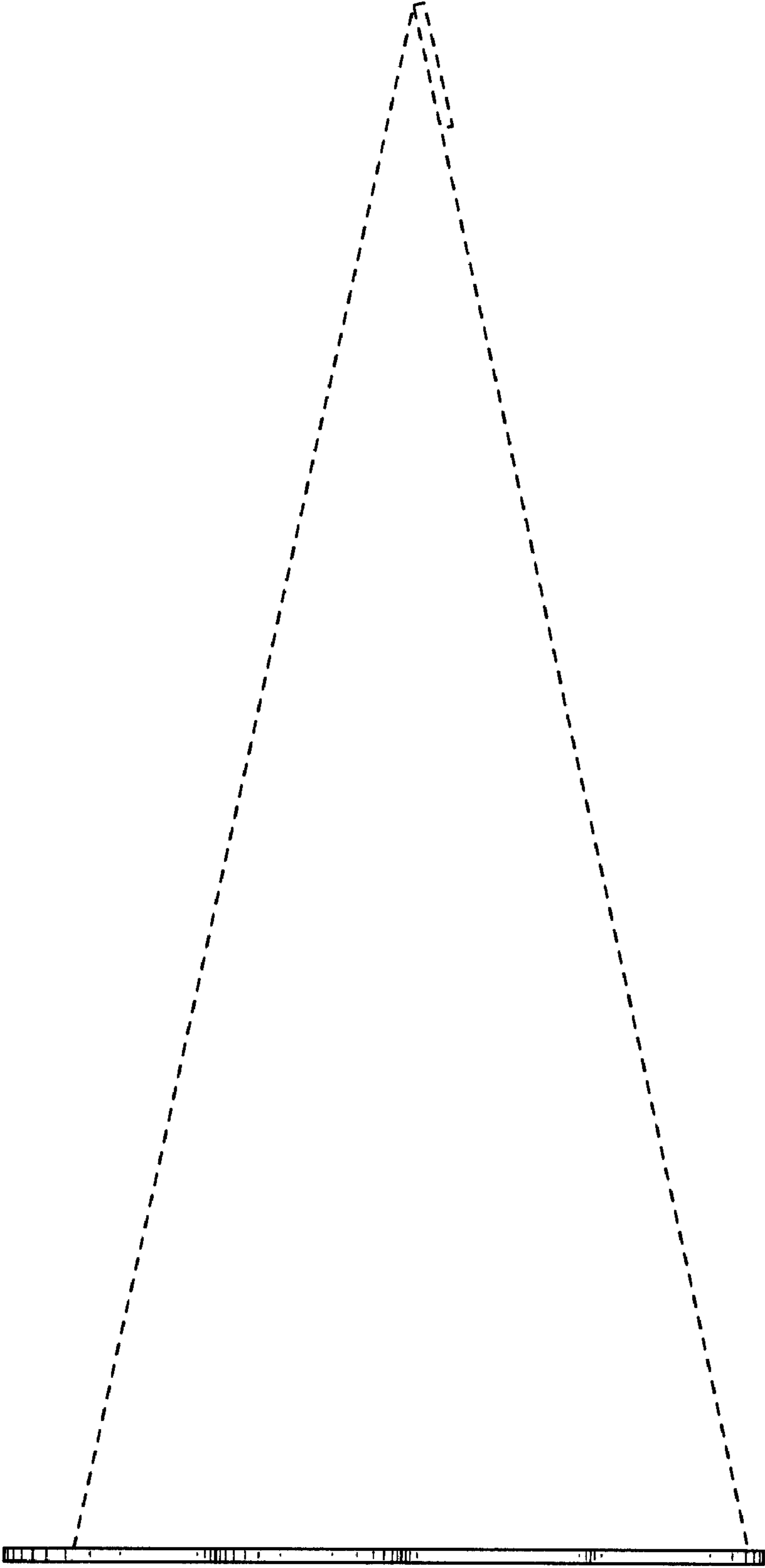


FIG. 4

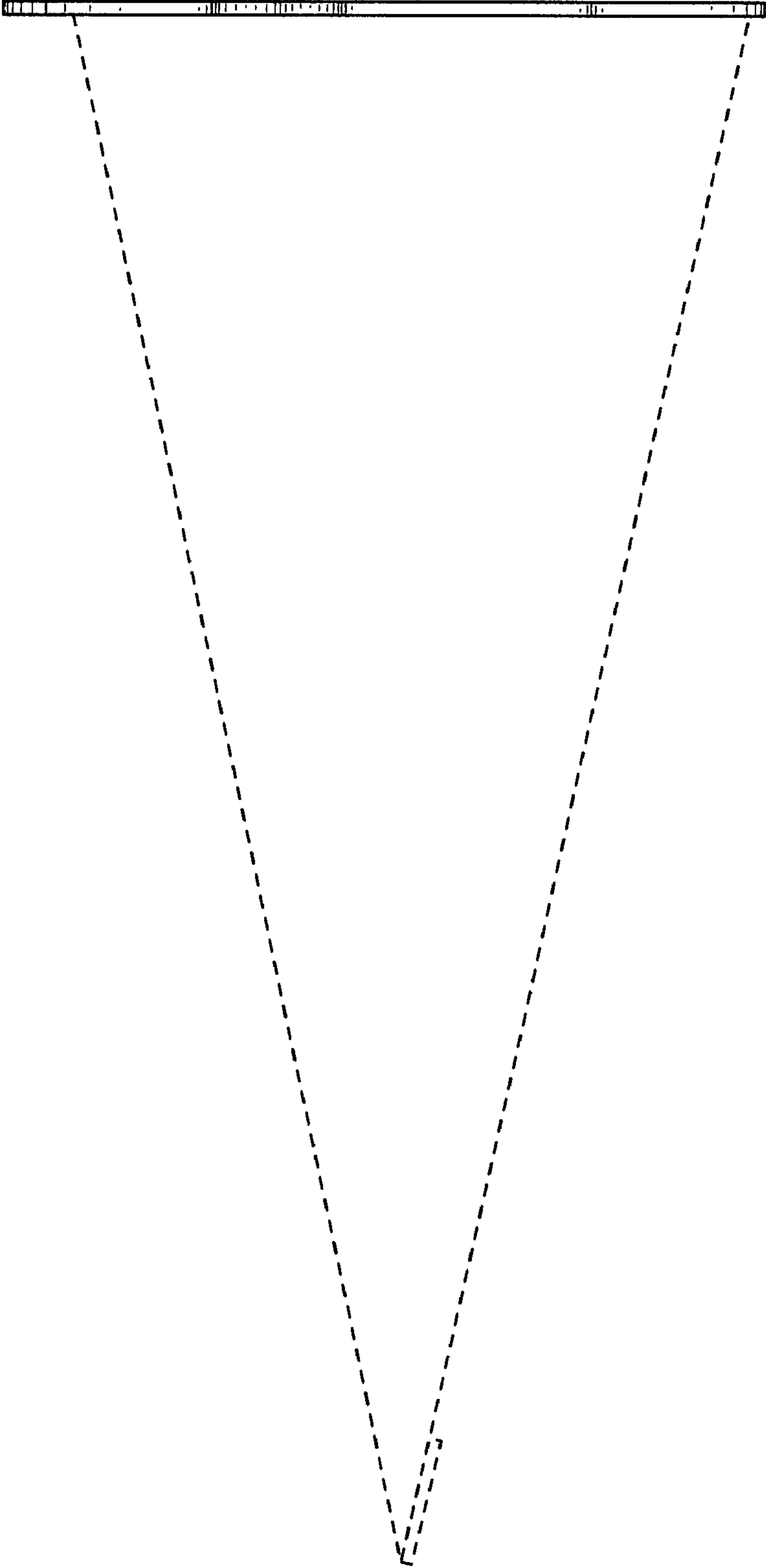


FIG. 5

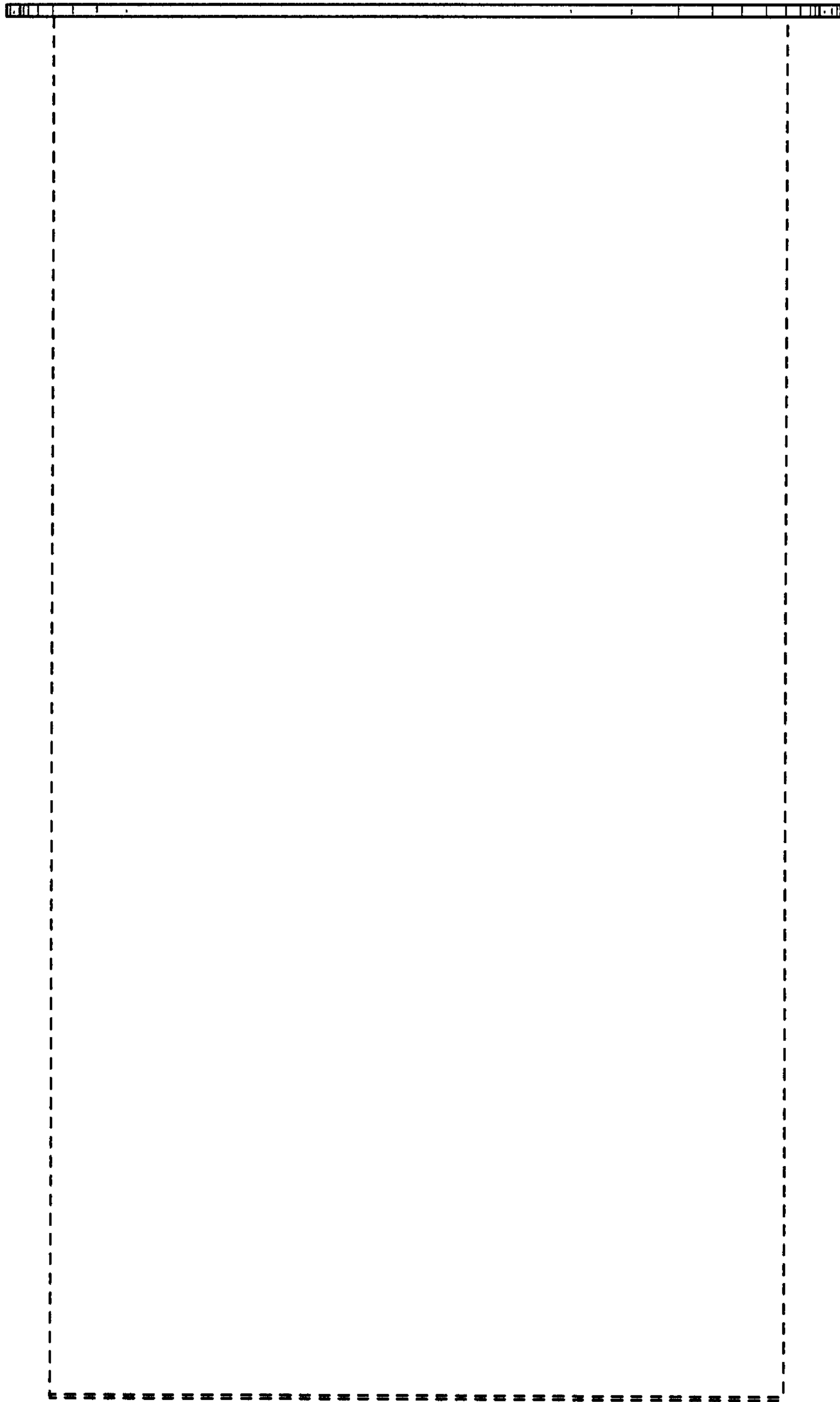


FIG. 6

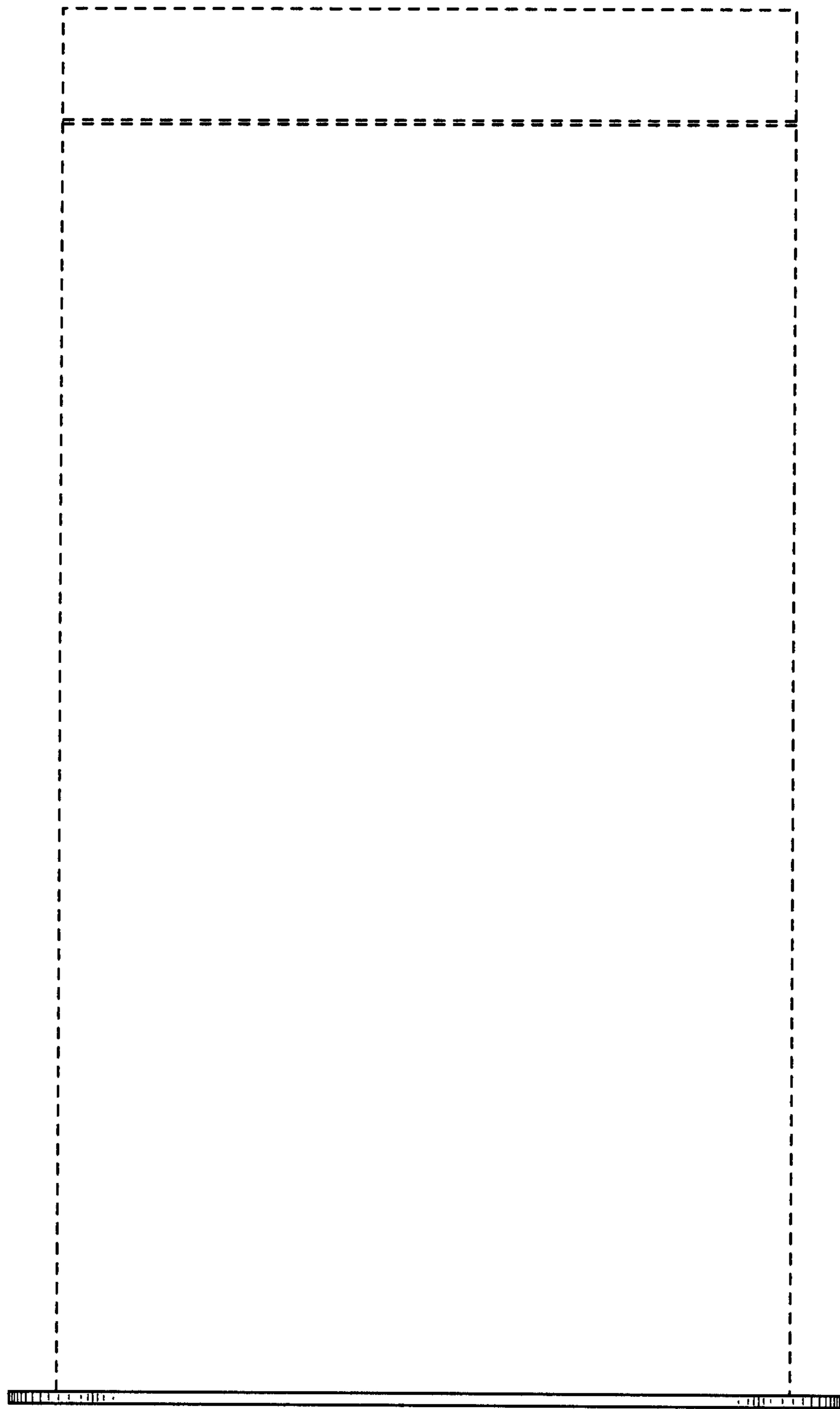


FIG. 7