

US00D657503S

(12) **United States Design Patent**
January

(10) **Patent No.:** **US D657,503 S**
(45) **Date of Patent:** **** Apr. 10, 2012**

(54) **STRAP AND BUCKLE APPARATUS**

(75) Inventor: **Michael W. January**, Spring Lake, NC
(US)

(73) Assignee: **Harris Corporation**, Melbourne, FL
(US)

(**) Term: **14 Years**

(21) Appl. No.: **29/385,765**

(22) Filed: **Feb. 18, 2011**

(51) **LOC (9) Cl.** **30-04**

(52) **U.S. Cl.** **D30/139**

(58) **Field of Classification Search** D30/139;
D11/200, 201, 216; 24/182, 188, 365 R,
24/307; 54/4, 23, 35, 46.1

See application file for complete search history.

(56) **References Cited**

U.S. PATENT DOCUMENTS

- 438,477 A * 10/1890 Hartmann 54/23
- 3,230,009 A * 1/1966 Schmidt et al. 24/182
- D420,620 S * 2/2000 Riley D11/216
- 2006/0130440 A1 * 6/2006 Horsey 54/23

* cited by examiner

Primary Examiner — Nanda Bondade

(74) *Attorney, Agent, or Firm* — Allen, Dyer, Doppelt,
Milbrath & Gilchrist, P.A.

(57) **CLAIM**

The ornamental design for a strap and buckle apparatus, as shown and described.

DESCRIPTION

FIG. 1 is a perspective view of a strap and buckle apparatus in accordance with the present invention.

FIG. 2 is a front view of the strap of FIG. 1.

FIG. 3 is a rear view of the strap of FIG. 1.

FIG. 4 is left side view of the strap of FIG. 1.

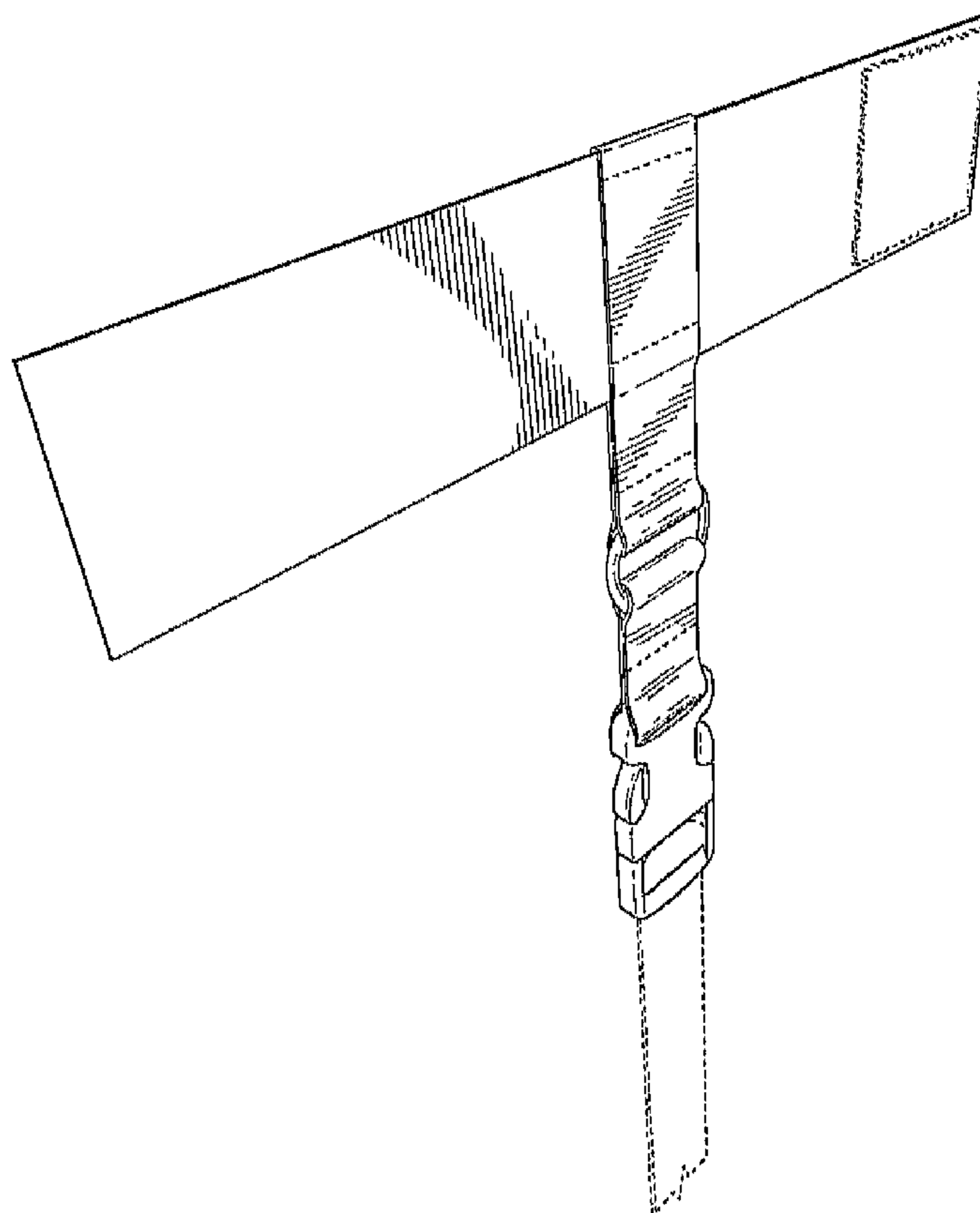
FIG. 5 is a right side view of the strap of FIG. 1.

FIG. 6 is a top view of the strap of FIG. 1; and,

FIG. 7 is a bottom view of the strap of FIG. 1.

Those elements shown in dashed lines are included for the purpose of illustrating environment and form no part of the claimed design.

1 Claim, 5 Drawing Sheets



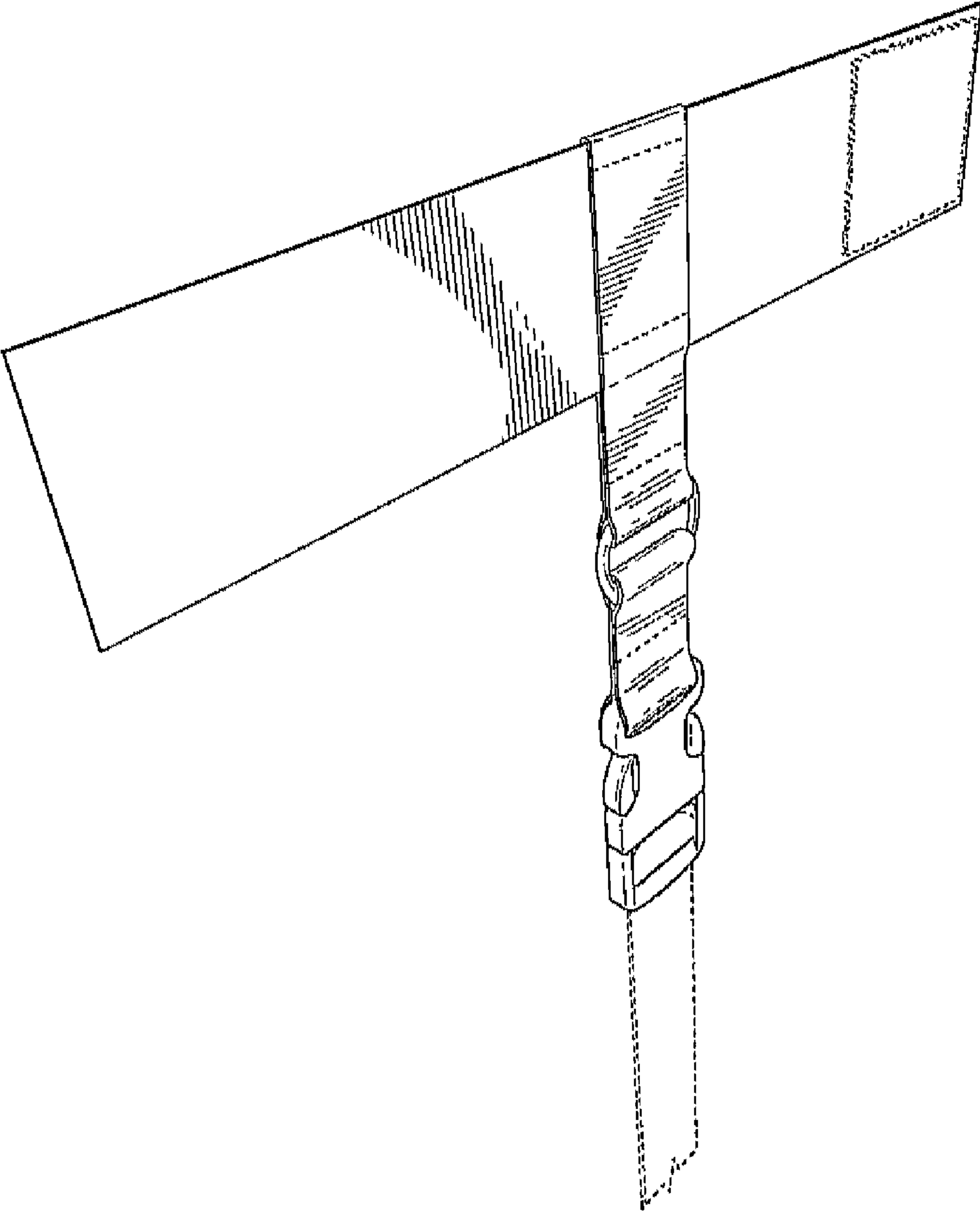


FIG. 1

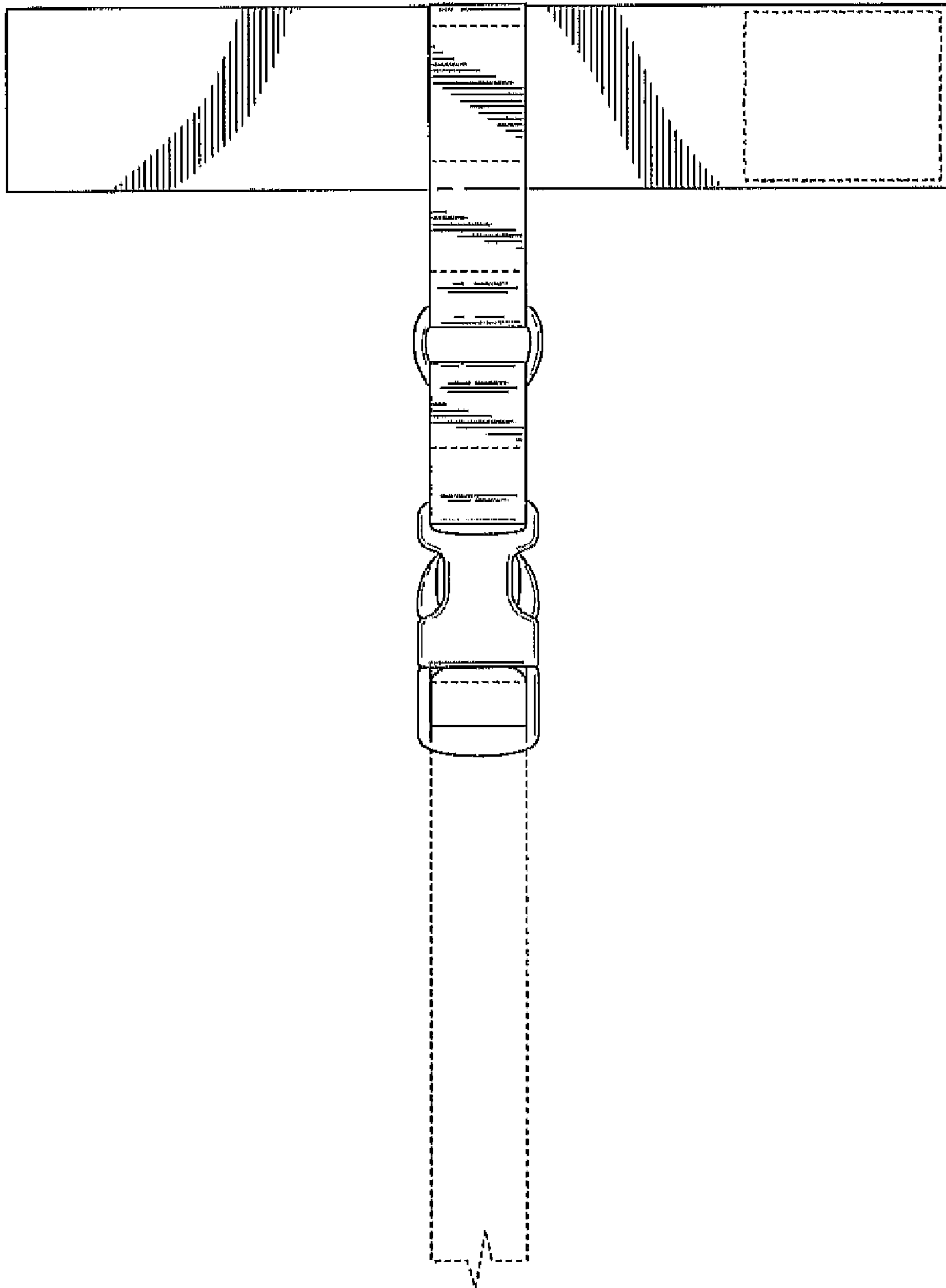


FIG. 2

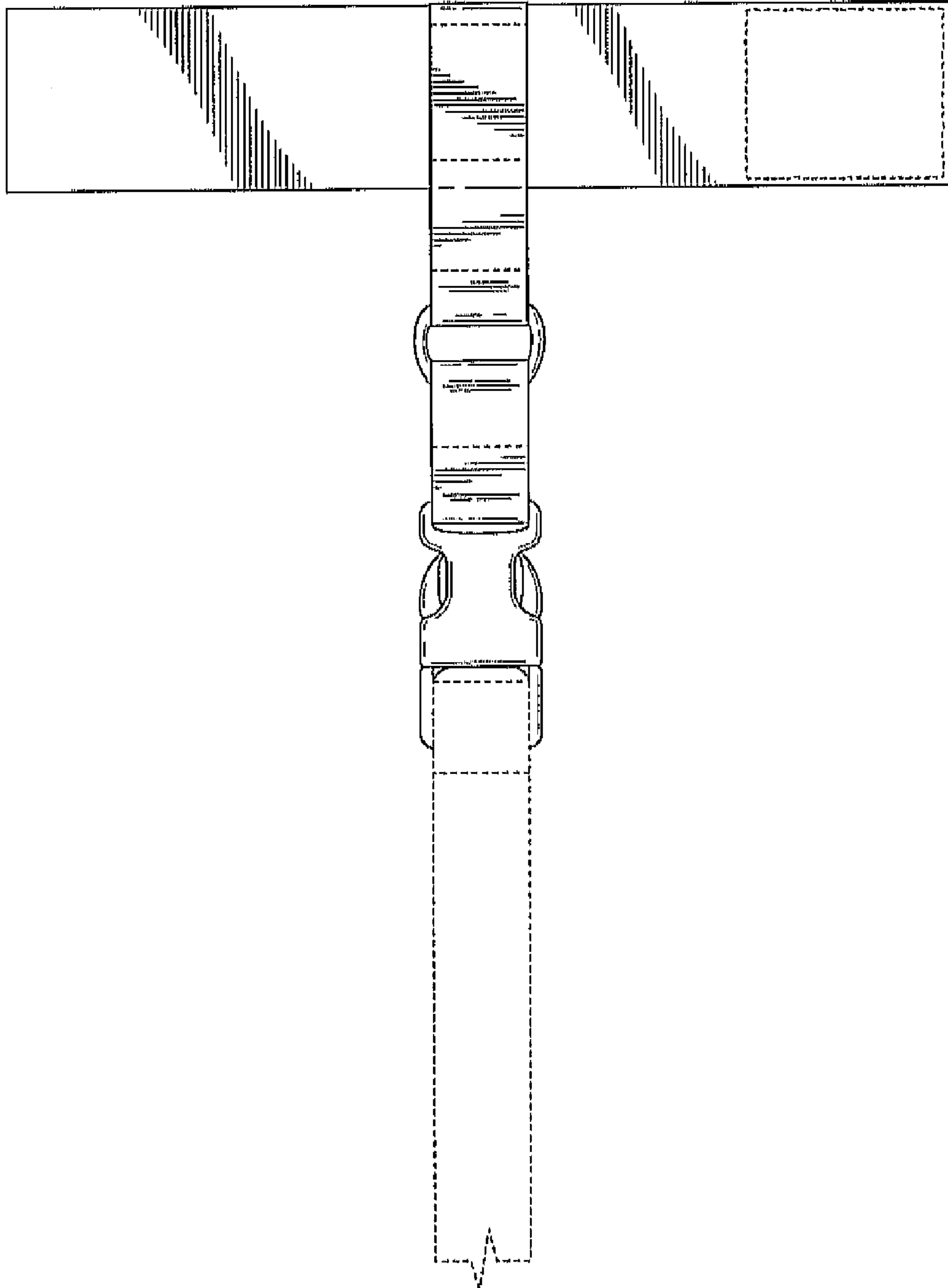


FIG. 3



FIG. 4



FIG. 5

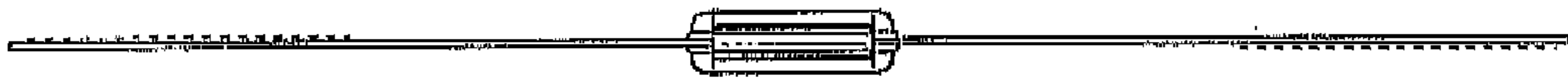


FIG. 6

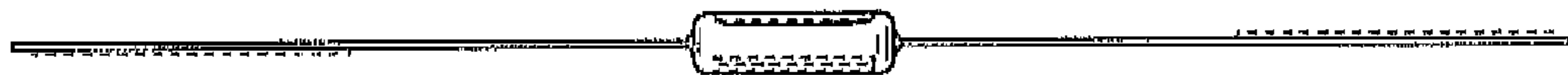


FIG. 7