



US00D657499S

(12) **United States Design Patent**
Parkins et al.

(10) **Patent No.:** **US D657,499 S**
(45) **Date of Patent:** **** Apr. 10, 2012**

(54) **EARPLUG**

(75) Inventors: **John W. Parkins**, Ithaca, NY (US);
David Parkins, Groton, NY (US); **David**
L. Fergot, Syracuse, NY (US); **Douglas**
M. Russell, Syracuse, NY (US)

(73) Assignee: **Red Tail Hawk Corporation**, Ithaca,
NY (US)

(**) Term: **14 Years**

(21) Appl. No.: **29/383,730**

(22) Filed: **Jan. 21, 2011**

Related U.S. Application Data

(63) Continuation-in-part of application No. 12/832,363,
filed on Jul. 8, 2010.

(51) **LOC (9) Cl.** **29-02**

(52) **U.S. Cl.** **D29/112; D24/106**

(58) **Field of Classification Search** D29/100,
D29/102, 106, 108, 112, 122; D24/105-109,
D24/190, 191; D2/865, 867, 878; 2/455,
2/410, 411, 414, 421, 423, 424, 425, 9, 909,
2/206, 209, 174; 128/857, 864, 866, 867;
D14/205

See application file for complete search history.

(56) **References Cited**

U.S. PATENT DOCUMENTS

2,446,707	A *	8/1948	Leight	128/864
3,047,089	A	7/1962	Zwislocki	
3,125,646	A	3/1964	Lewis	
D245,202	S *	7/1977	Asker	D24/106
D276,855	S *	12/1984	Falco	D29/112
D405,880	S *	2/1999	Brown	D24/106
6,208,740	B1	3/2001	Grever	
6,241,042	B1 *	6/2001	Falco	181/135
D494,956	S *	8/2004	Sabick et al.	D14/205

D511,381	S *	11/2005	Chiang	D24/106
D516,058	S *	2/2006	Garcia	D14/205
D519,103	S *	4/2006	Sabick et al.	D14/205
D550,200	S *	9/2007	Drambarean et al.	D14/205
D567,217	S *	4/2008	Kamo et al.	D14/205
D578,637	S *	10/2008	Falco	D24/106
D578,638	S *	10/2008	Falco	D24/106
D578,639	S *	10/2008	Falco	D24/106
D586,778	S *	2/2009	Yang	D14/205
D598,894	S *	8/2009	Masuda et al.	D14/205
D606,972	S *	12/2009	Schaefer	D14/205
7,697,706	B2 *	4/2010	Doty	381/328
7,743,771	B2 *	6/2010	Falco	128/864
7,793,662	B2 *	9/2010	Elliott	128/864
7,967,015	B2 *	6/2011	Jenkins, Jr.	128/864

OTHER PUBLICATIONS

Van Wiljngaarden et al. "Development of the Wireless 'Communi-
cations Earplug' for Application in Military Aviation" J. Audio Eng.
Soc., vol. 48, No. 6, Jun. 2000.

* cited by examiner

Primary Examiner — Elizabeth J Oswecki

(74) *Attorney, Agent, or Firm* — Brown & Michaels, PC

(57) **CLAIM**

The ornamental design for earplug, as shown and described.

DESCRIPTION

This invention was made with Government support under
SBIR contract N68335-09-C-0003, awarded by the US Navy.
The government has certain rights in the invention.

FIG. 1 is a perspective view of an earplug showing our new
design.

FIG. 2 is a side view thereof.

FIG. 3 is an opposite side view of FIG. 2.

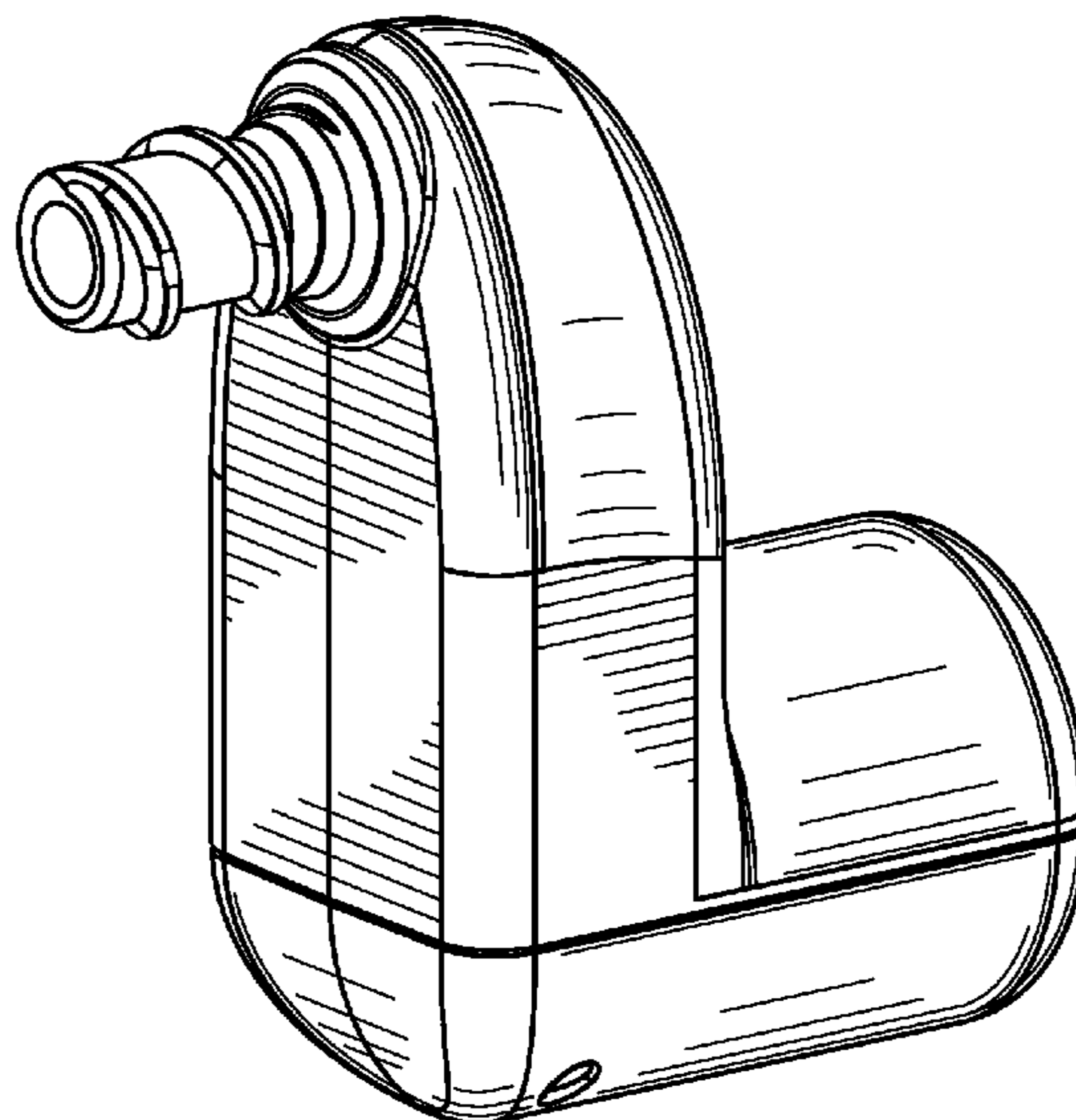
FIG. 4 is another side view thereof.

FIG. 5 is an opposite side view of FIG. 4.

FIG. 6 is a top view thereof; and,

FIG. 7 is a bottom view thereof.

1 Claim, 4 Drawing Sheets



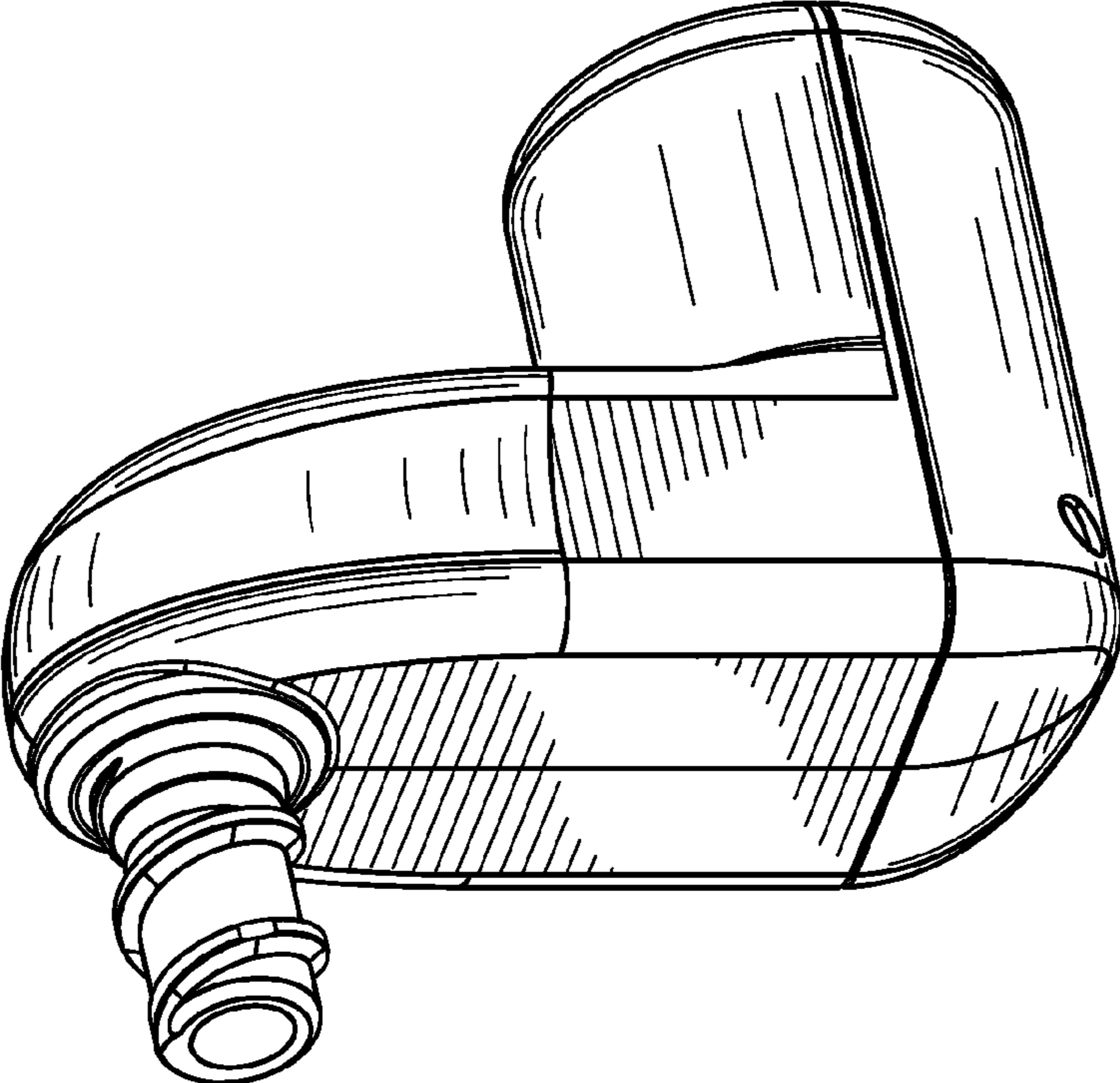


FIG. 1

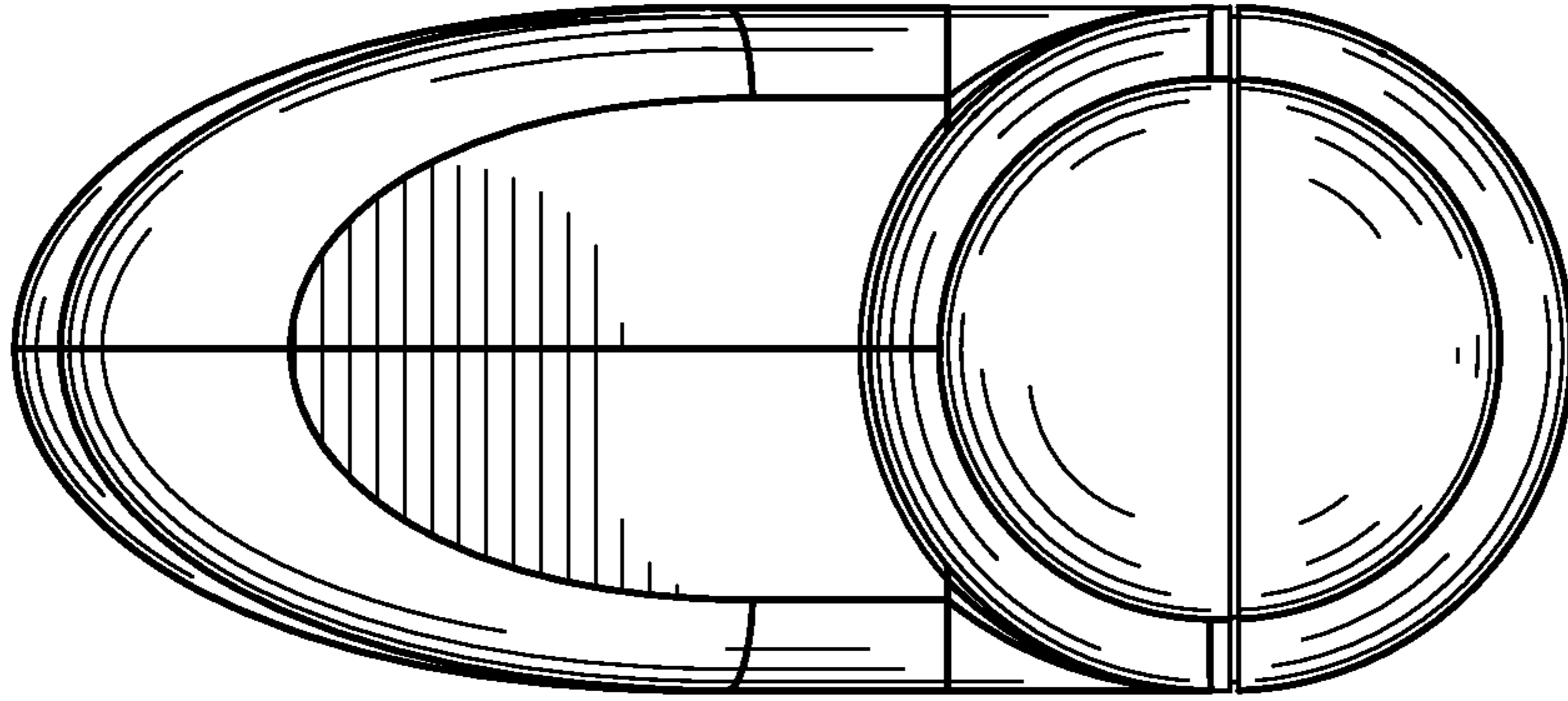


FIG. 3

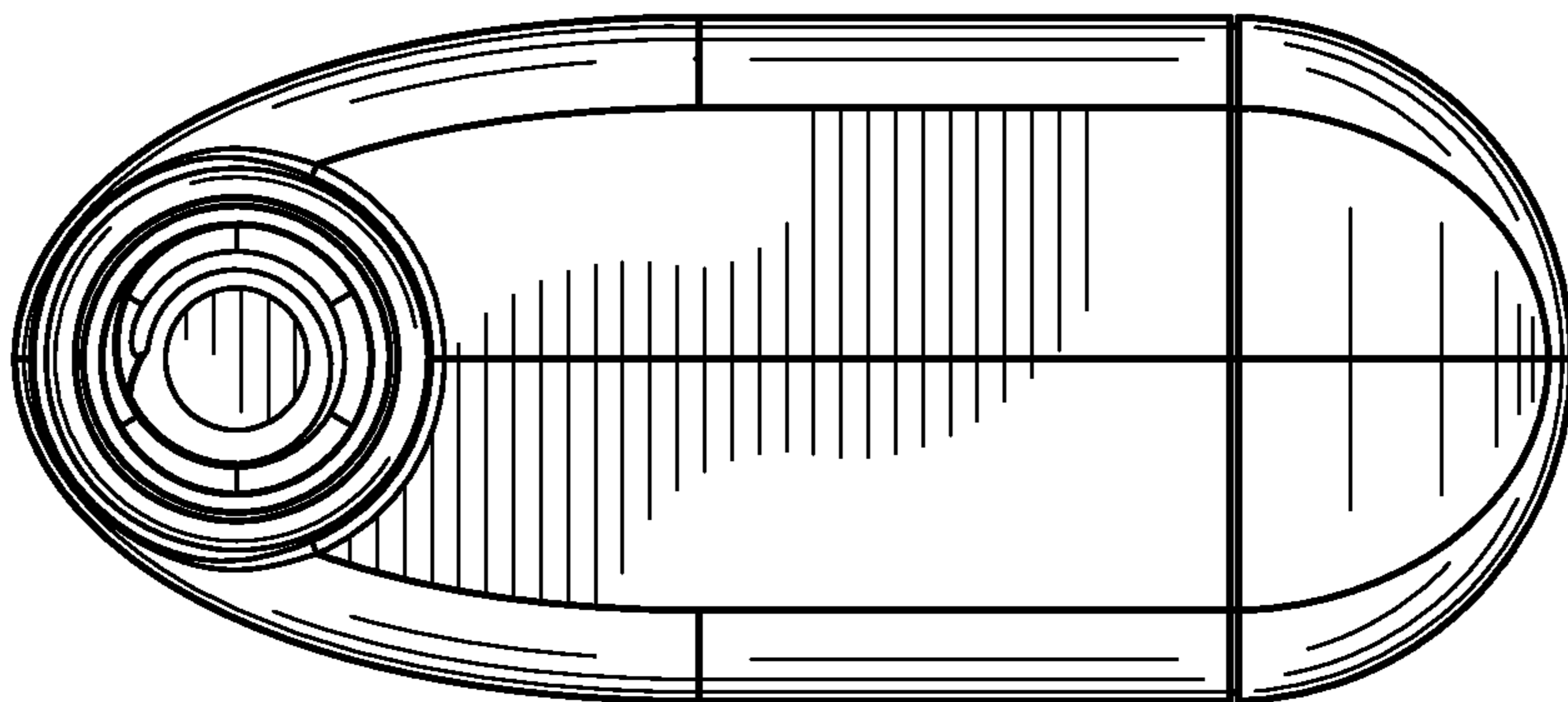


FIG. 2

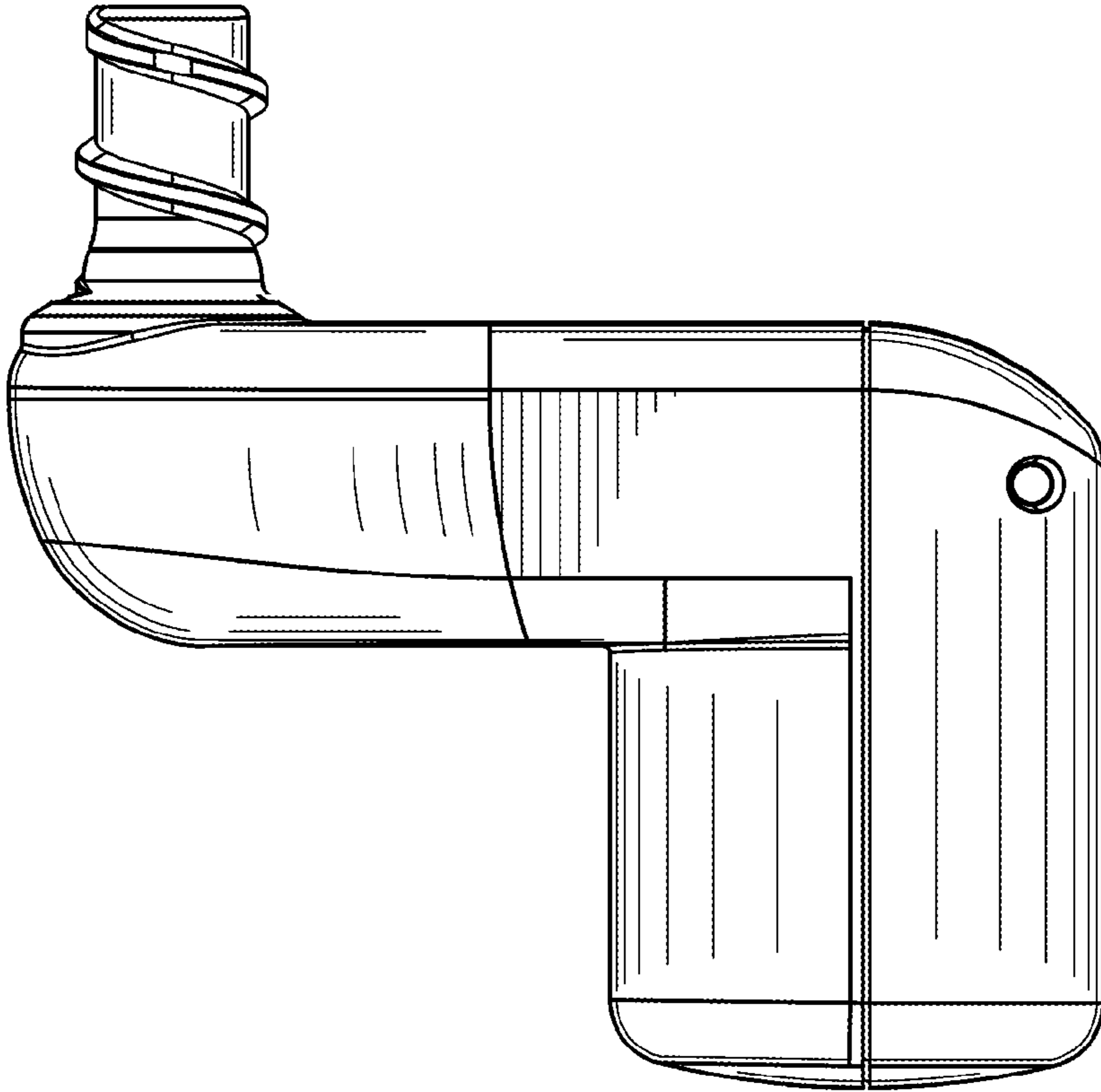


FIG. 5

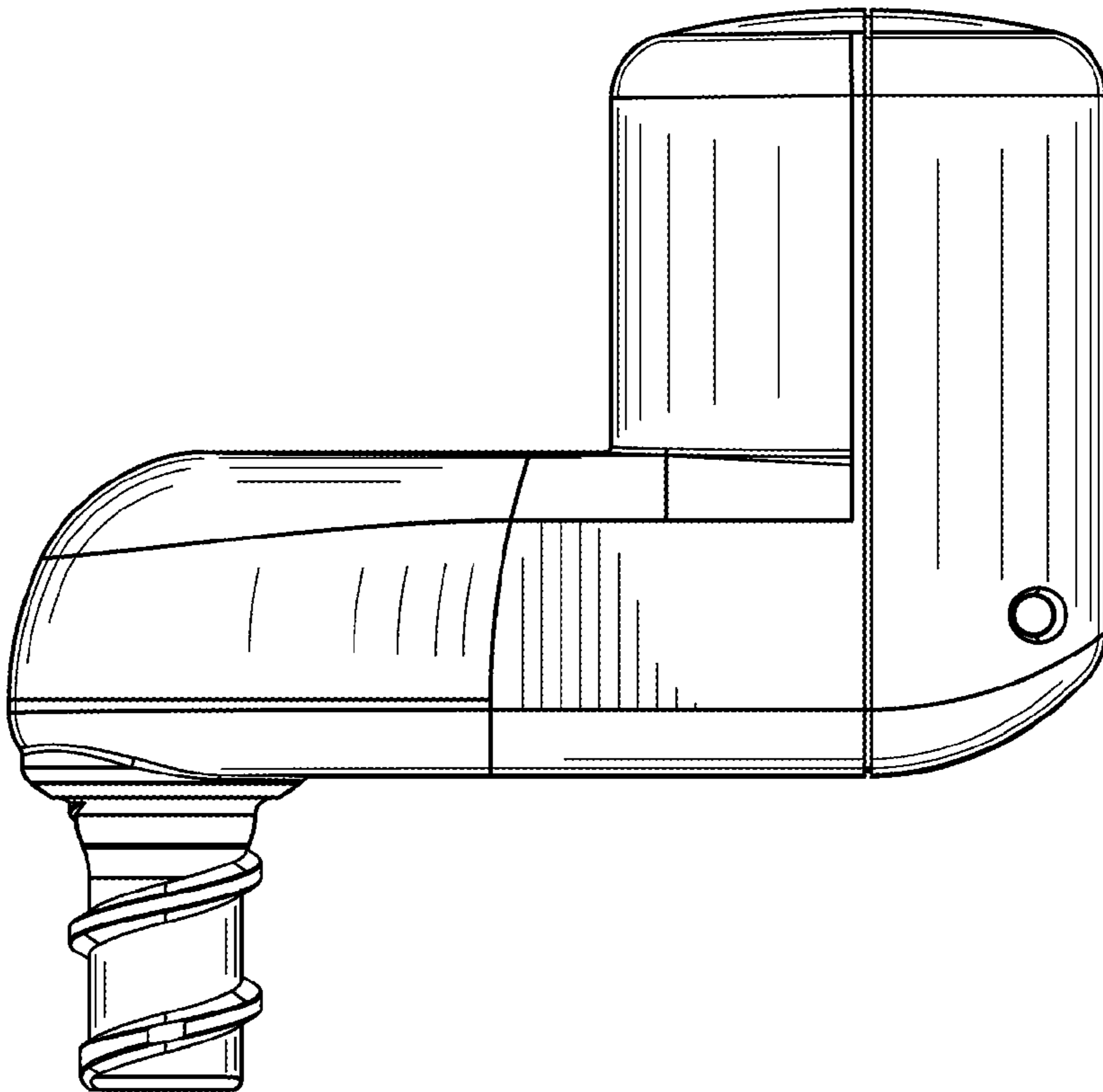


FIG. 4

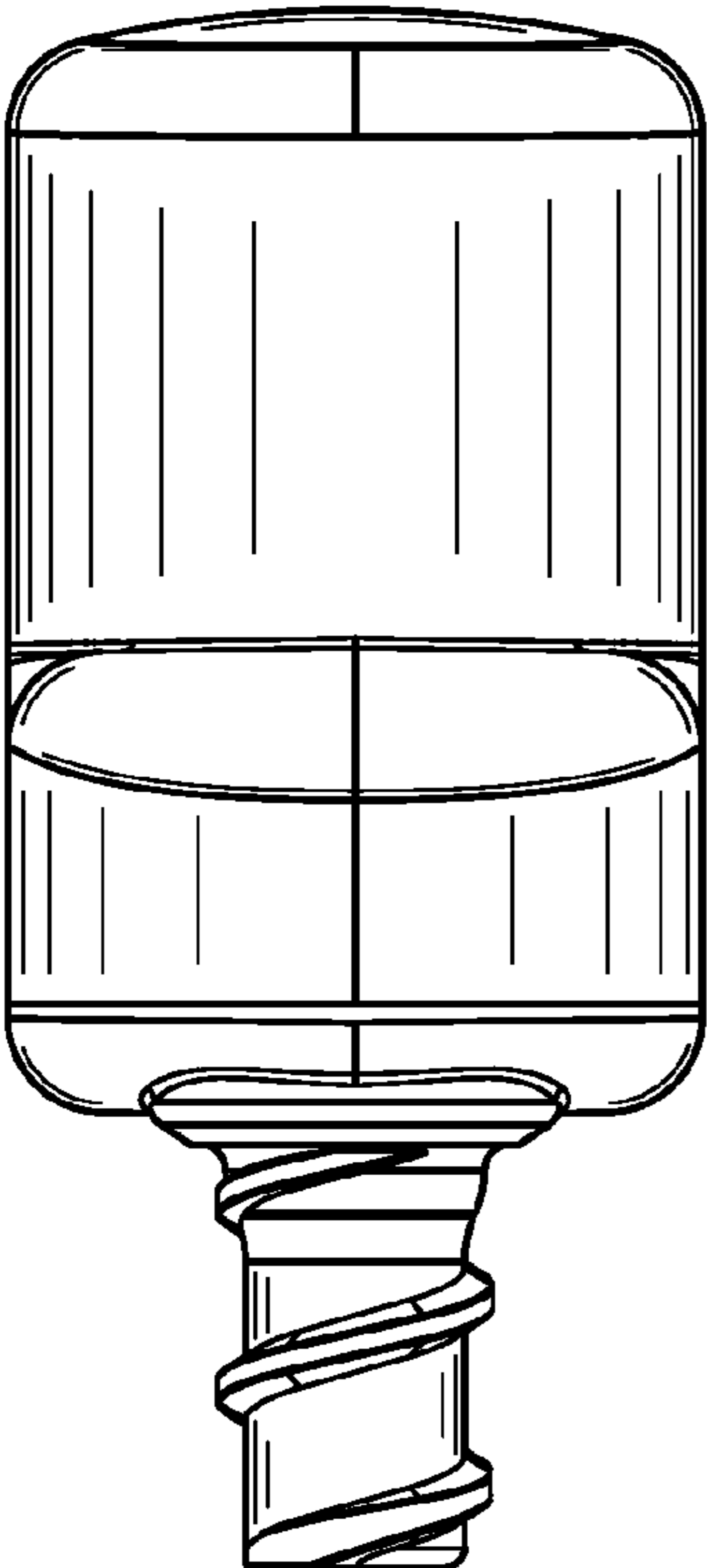


FIG. 6

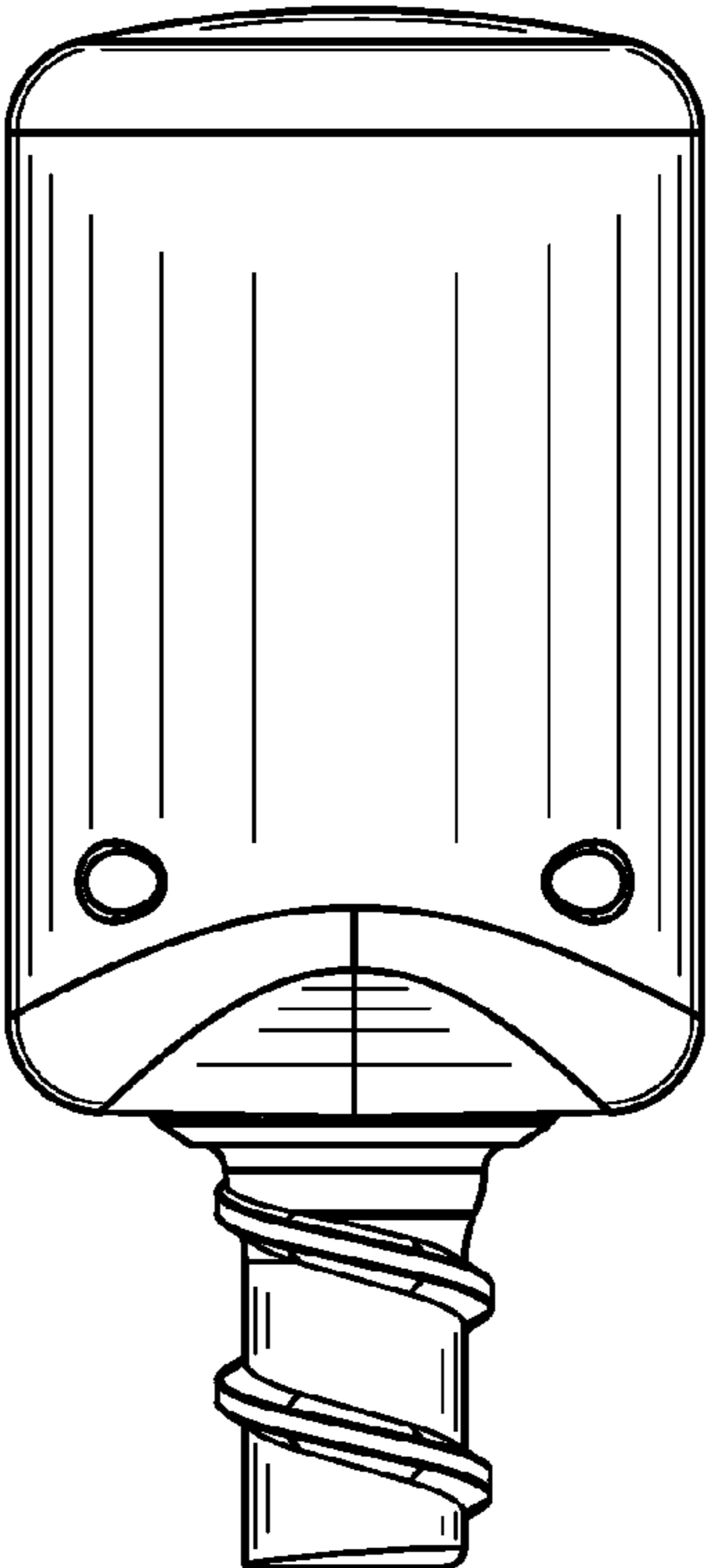


FIG. 7