



US00D657498S

(12) **United States Design Patent**  
**Shi et al.**

(10) **Patent No.:** **US D657,498 S**

(45) **Date of Patent:** **\*\* Apr. 10, 2012**

(54) **MASK**

(75) Inventors: **Zheng Shi**, Shenzhen (CN); **Jiang-Feng Liu**, Shenzhen (CN); **Yu-Xi Gao**, Shenzhen (CN); **Qiang Wang**, Shenzhen (CN)

(73) Assignee: **FIH (Hong Kong) Limited**, Kowloon (HK)

(\*\*) Term: **14 Years**

(21) Appl. No.: **29/368,167**

(22) Filed: **Aug. 19, 2010**

(51) **LOC (9) Cl.** ..... **29-02**

(52) **U.S. Cl.** ..... **D29/108**

(58) **Field of Classification Search** ..... D29/100, D29/108, 109, 110, 122; D24/110.1; 128/858, 128/863, 206.12, 206.13, 206.14, 206.16, 128/206.18, 206.19, 206.21, 206.28, 206.11; 2/9, 206, 424, 425, 15, 427, 428  
See application file for complete search history.

(56) **References Cited**

**U.S. PATENT DOCUMENTS**

2,498,668	A	*	2/1950	Fitzsimmons	.....	128/863
D210,181	S	*	2/1968	Solomon	.....	D28/44.2
D229,127	S	*	11/1973	Franklin	.....	D29/108
D243,128	S	*	1/1977	Morgan	.....	D29/108
D267,128	S	*	12/1982	Pearce	.....	D29/108
D278,380	S	*	4/1985	Verdick	.....	D29/108

D347,090	S	*	5/1994	Brunson	.....	D29/108
D370,310	S	*	5/1996	Reuber et al.	.....	D29/110
D375,583	S	*	11/1996	Landis et al.	.....	D29/108
D377,850	S	*	2/1997	Smith et al.	.....	D29/108
D420,769	S	*	2/2000	White	.....	D29/108
D423,727	S	*	4/2000	Deal, III	.....	D29/108
D434,879	S	*	12/2000	Cole	.....	D29/122
D557,461	S	*	12/2007	Probst	.....	D29/108
D604,910	S	*	11/2009	Smaller	.....	D29/108
D636,128	S	*	4/2011	Hancock et al.	.....	D29/108
D636,537	S	*	4/2011	Ladua	.....	D29/108

\* cited by examiner

*Primary Examiner* — Elizabeth J Oswecki

(74) *Attorney, Agent, or Firm* — Altis Law Group, Inc.

(57) **CLAIM**

The ornamental design for a mask, as shown and described.

**DESCRIPTION**

FIG. 1 is a perspective view of a mask showing our new design;

FIG. 2 is a front elevational view thereof;

FIG. 3 is a rear elevational view thereof;

FIG. 4 is a left side elevational view thereof;

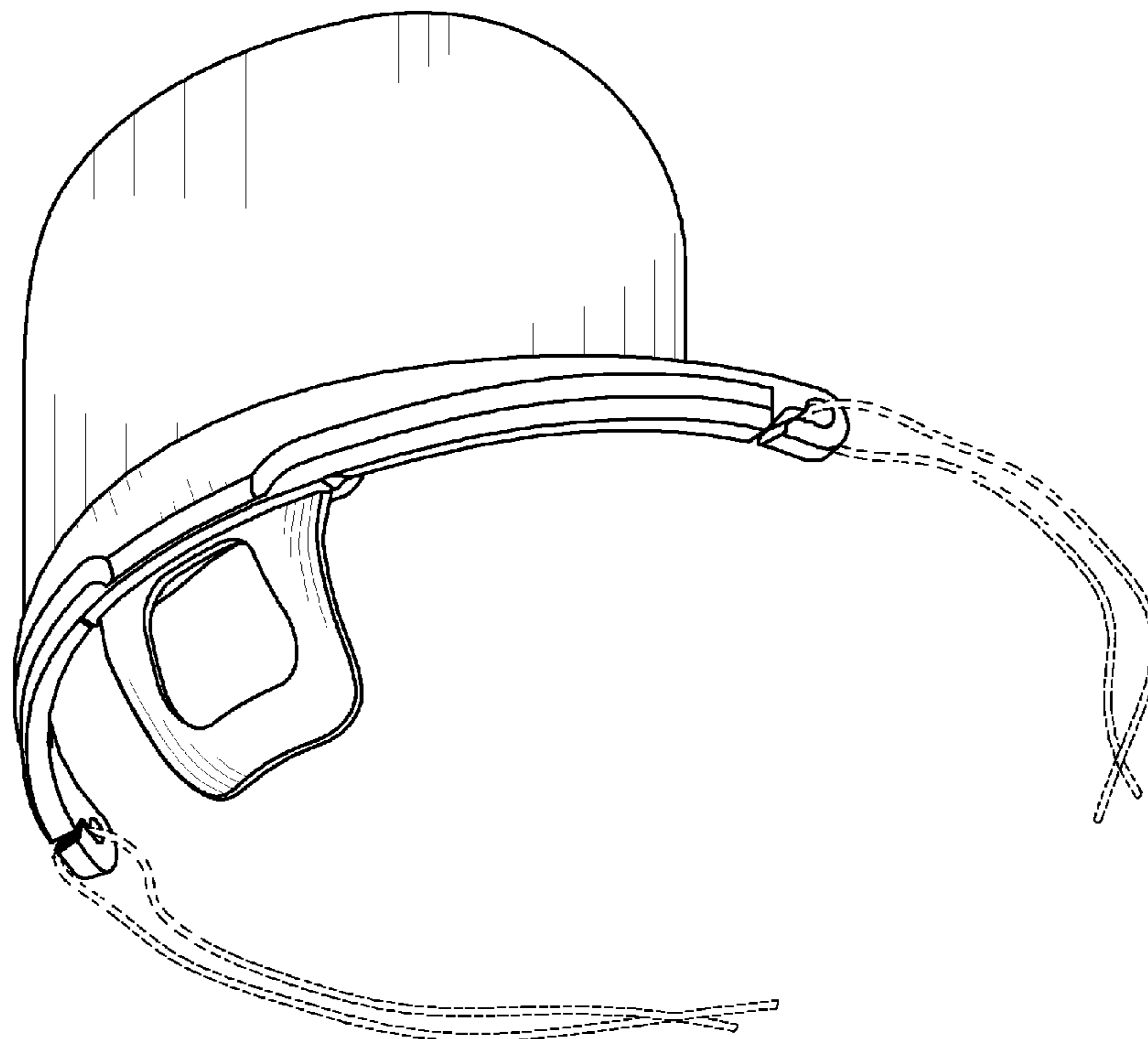
FIG. 5 is a right side elevational view thereof;

FIG. 6 is a top plan view thereof; and,

FIG. 7 is a bottom plan view thereof.

The broken lines immediately adjacent the claimed areas represent the bounds of the claimed design while all other broken lines are directed to environment that form no part of the claimed design.

**1 Claim, 7 Drawing Sheets**



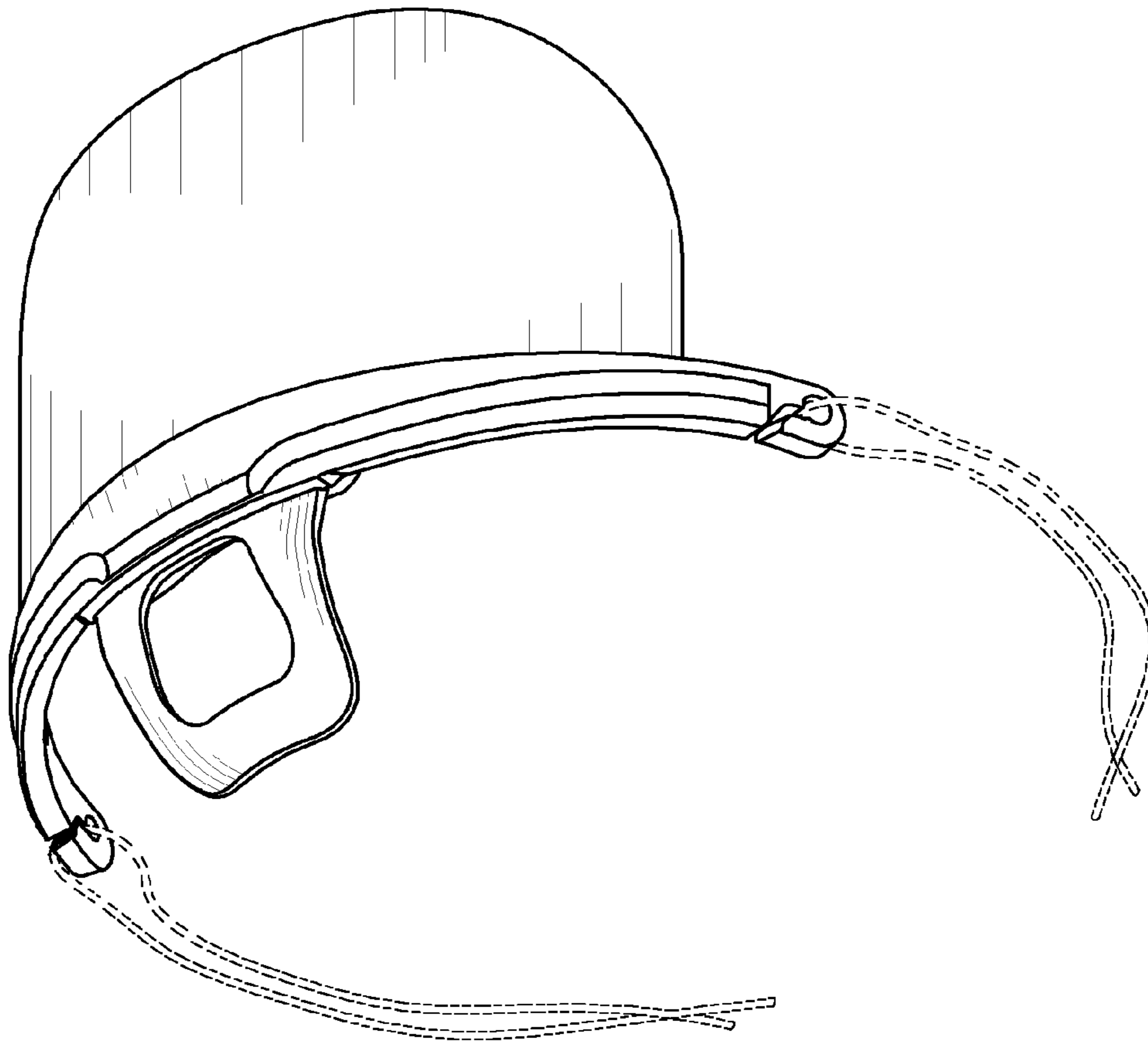


FIG. 1

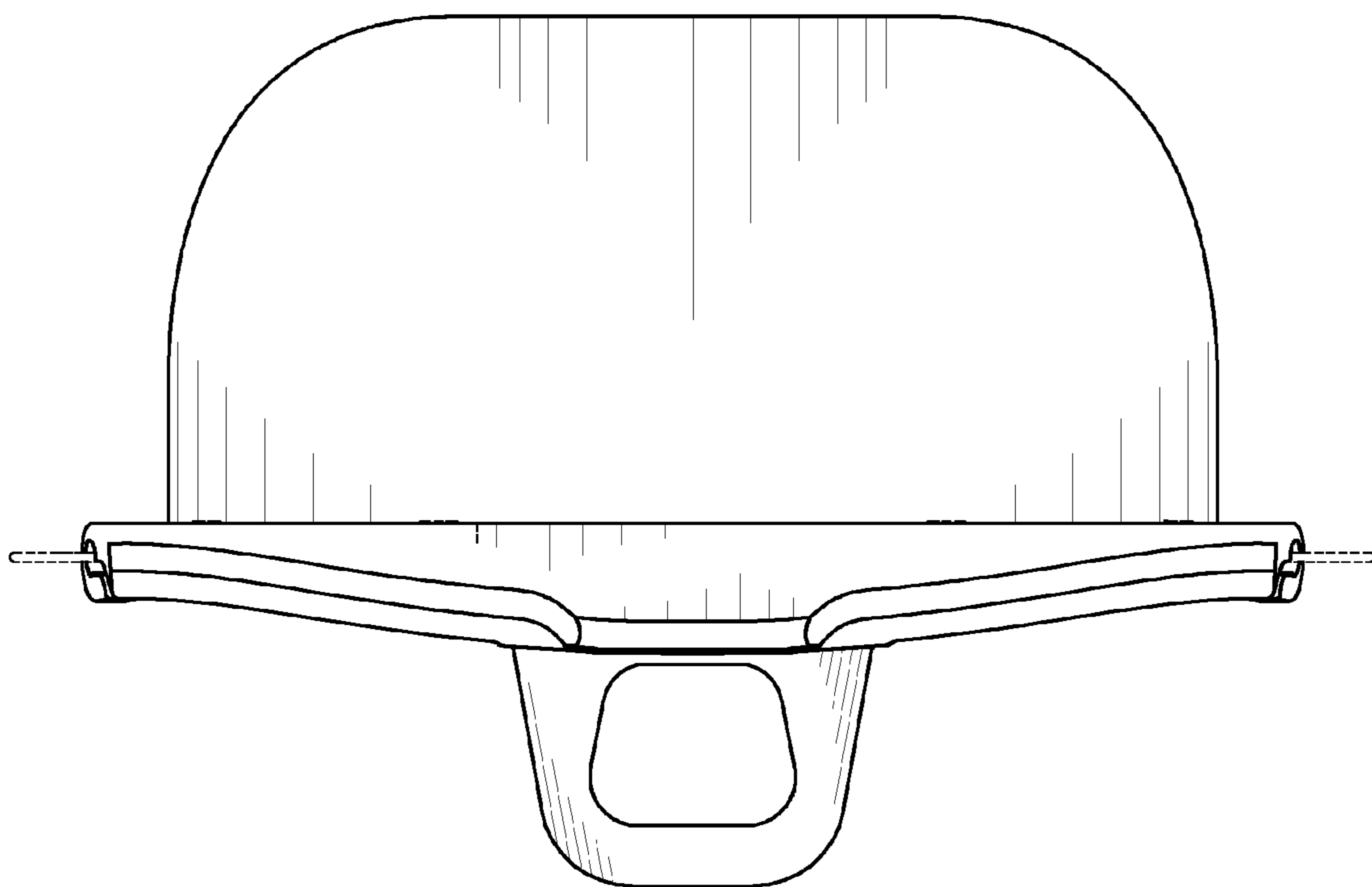


FIG. 2

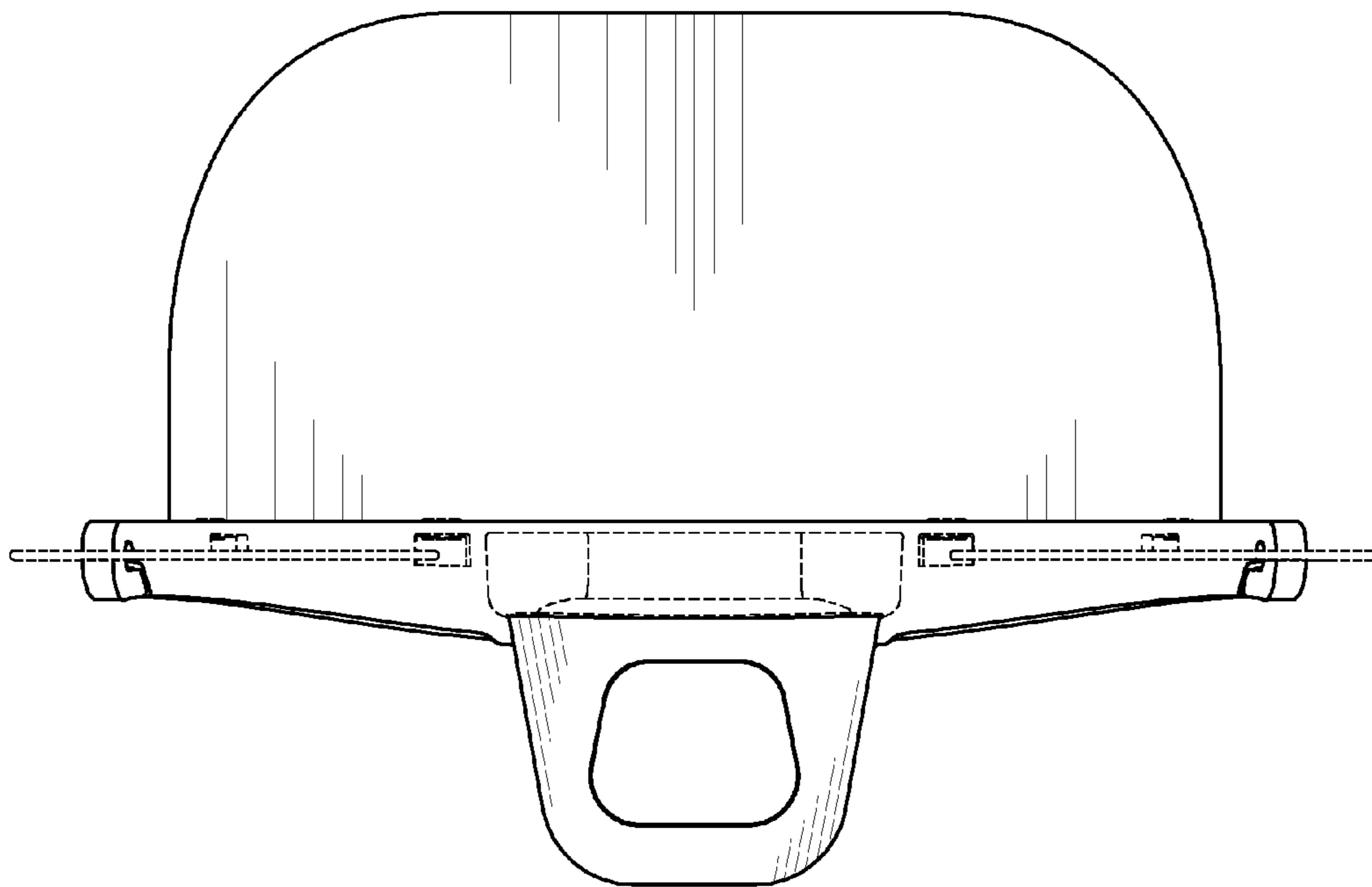


FIG. 3

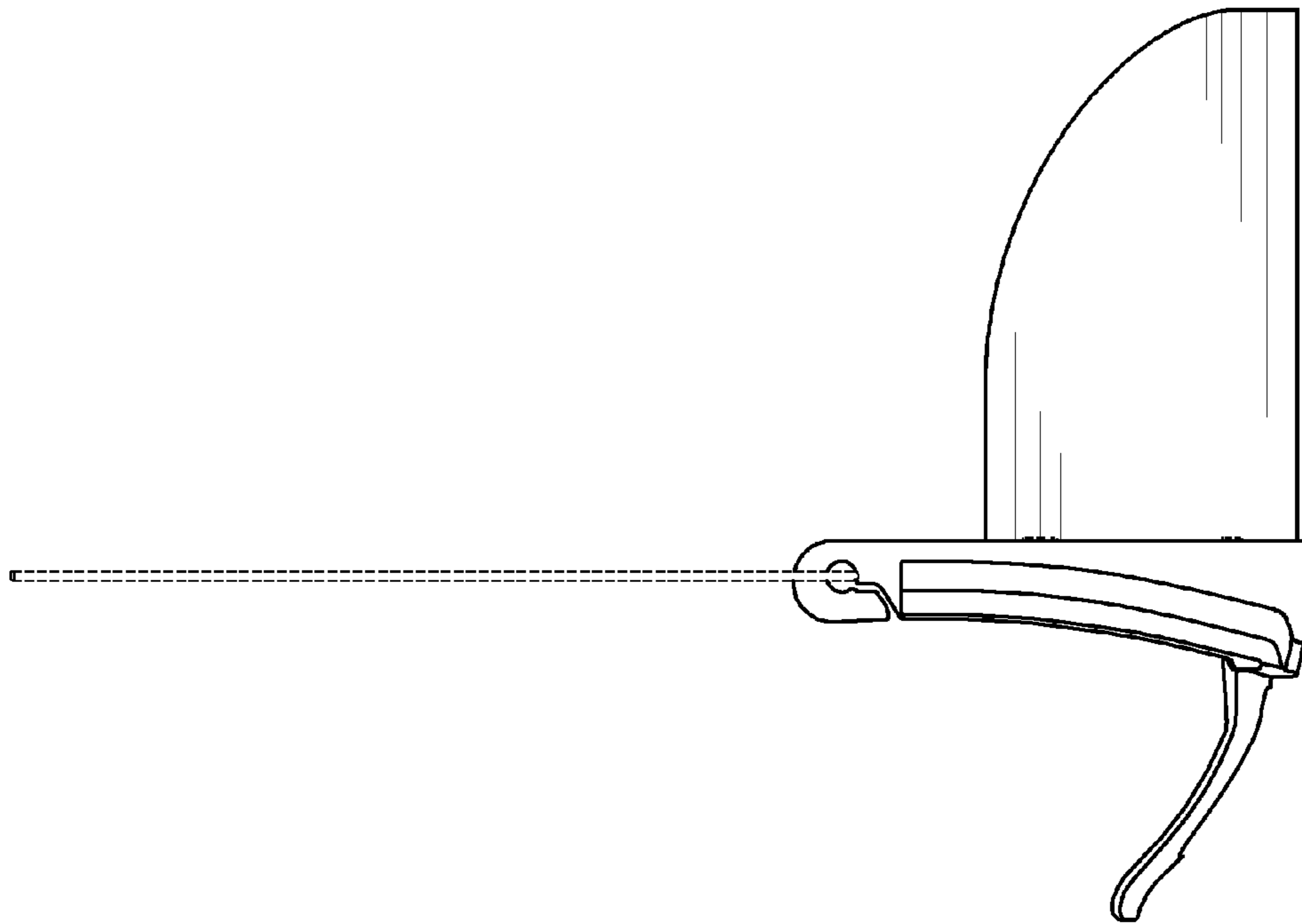


FIG. 4

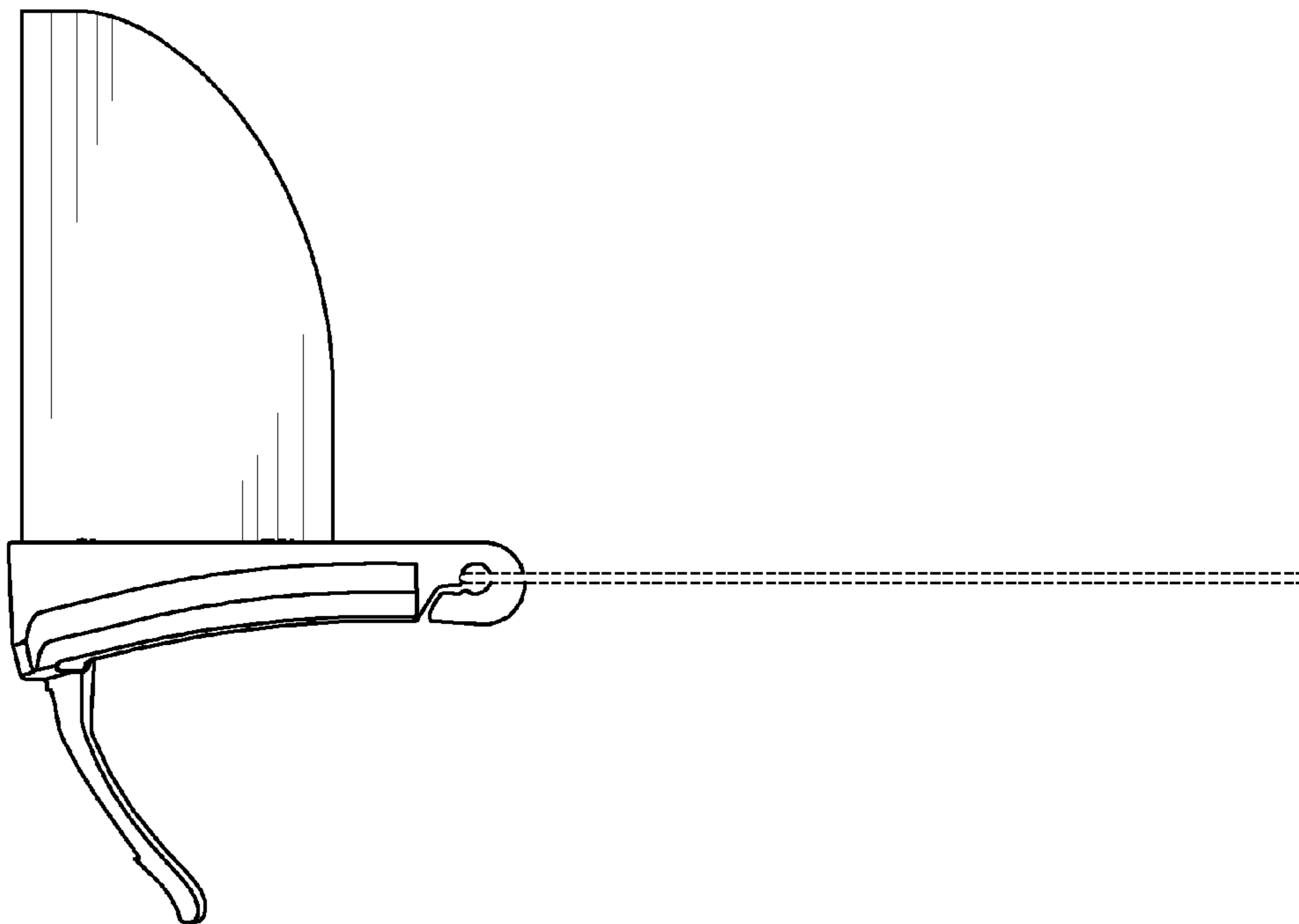


FIG. 5

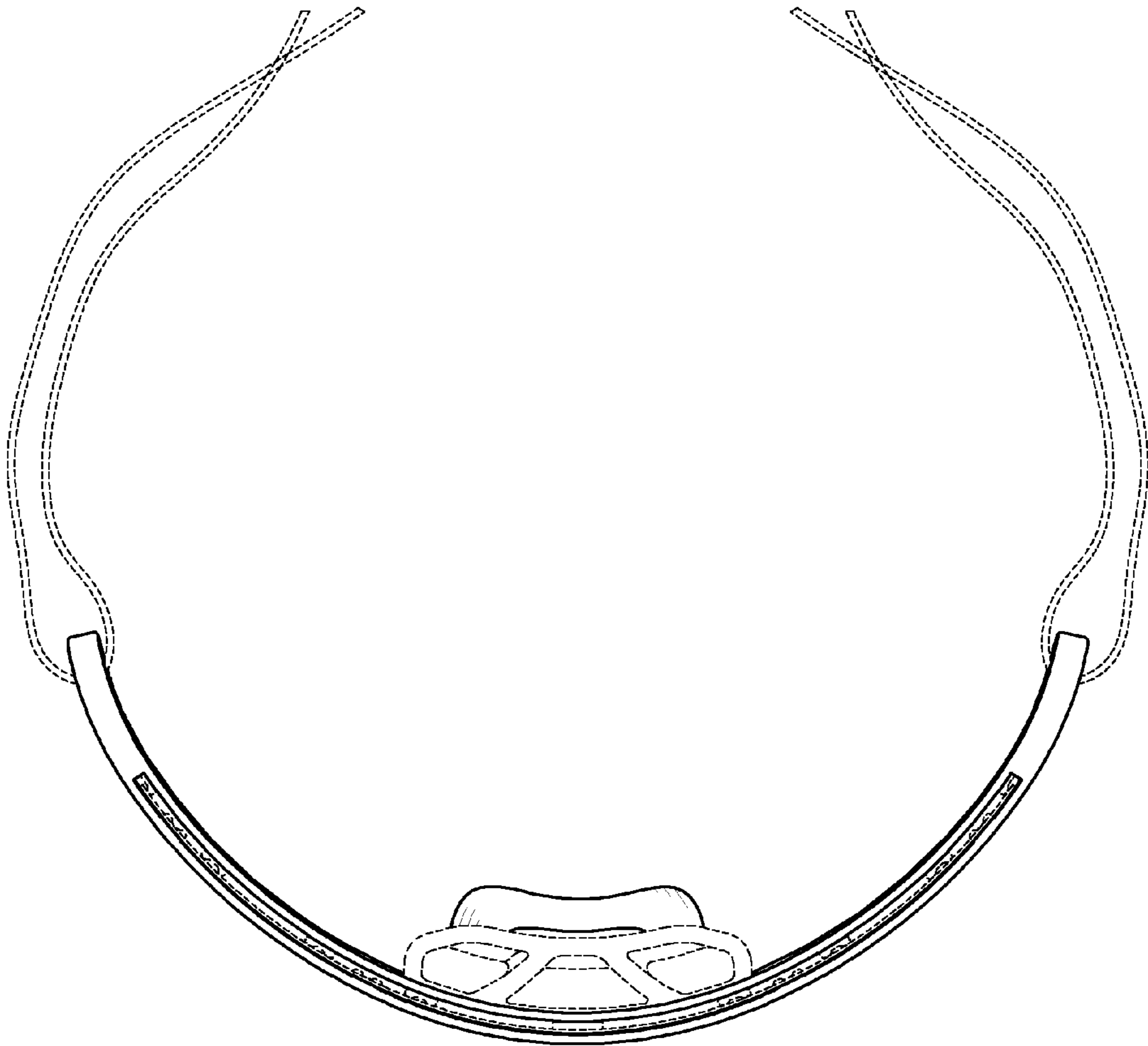


FIG. 6

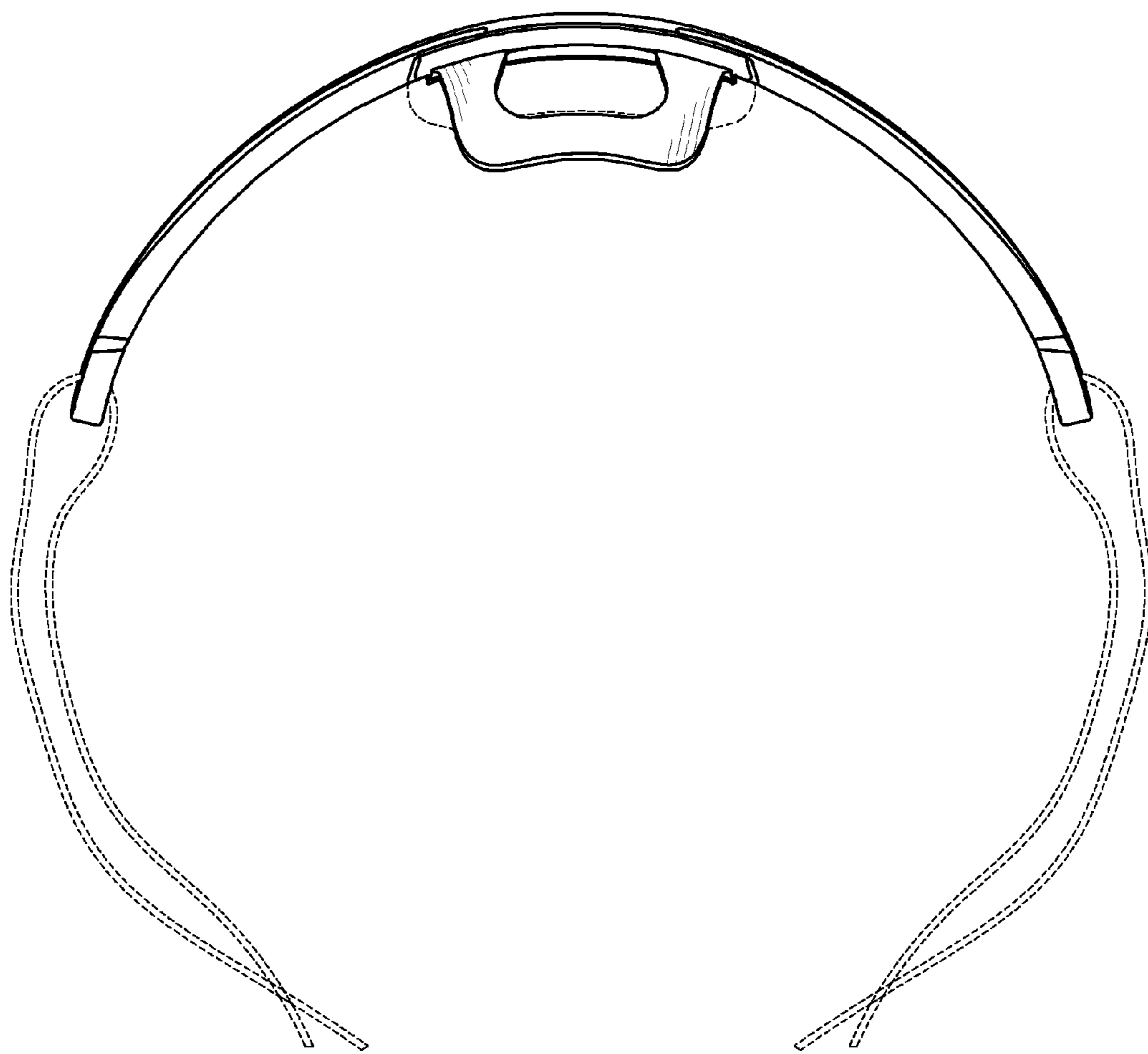


FIG. 7