



US00D657496S

(12) **United States Design Patent**
Flatt

(10) **Patent No.:** **US D657,496 S**
(45) **Date of Patent:** **** Apr. 10, 2012**

(54) **TWEEZERS**

(75) Inventor: **Stephen G. Flatt**, Toronto (CA)

(73) Assignee: **Stephen G. Flatt**, Toronto (CA)

(**) Term: **14 Years**

(21) Appl. No.: **29/400,146**

(22) Filed: **Aug. 24, 2011**

(30) **Foreign Application Priority Data**

Jun. 30, 2011 (CA) 141196

(51) **LOC (9) Cl.** **28-03**

(52) **U.S. Cl.** **D28/55**

(58) **Field of Classification Search** D28/55;
D24/143; 606/210-211; 294/99.4; 362/120,
362/119

See application file for complete search history.

(56) **References Cited**

U.S. PATENT DOCUMENTS

D171,264 S * 1/1954 Peterson et al. D28/55
D506,574 S * 6/2005 Yip D28/55

D537,208 S * 2/2007 Shaljian D28/55
D588,746 S * 3/2009 Ross D28/55
D614,355 S * 4/2010 Epstein D28/55
D627,105 S * 11/2010 Cho D28/55

FOREIGN PATENT DOCUMENTS

CN ZL200620061575.5 7/2007

OTHER PUBLICATIONS

Excerpts from website: www.la-tweez.com.

* cited by examiner

Primary Examiner — Jennifer Rivard

(74) *Attorney, Agent, or Firm* — Adam K. Sacharoff

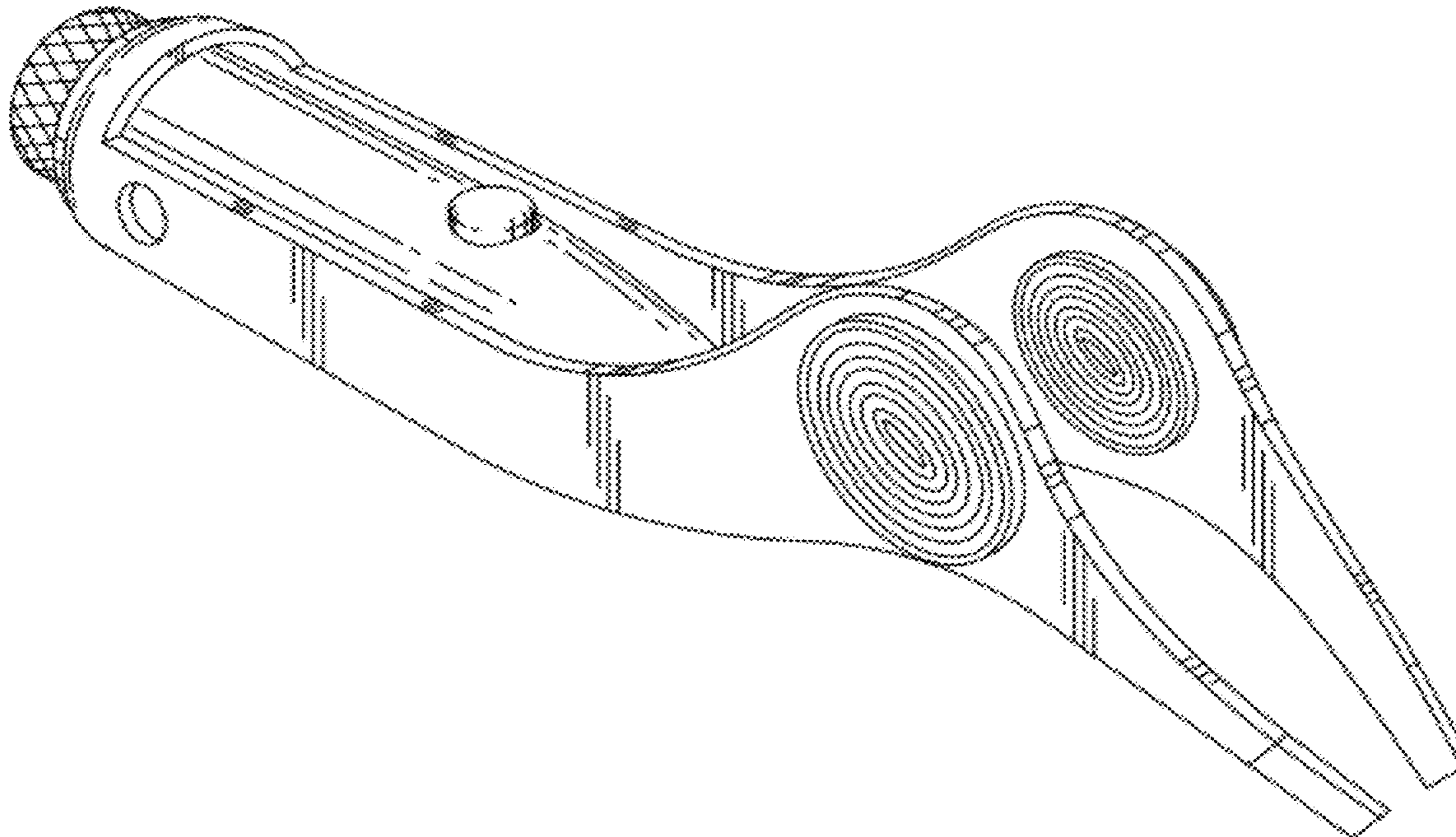
(57) **CLAIM**

The ornamental design for tweezers, as shown and described.

DESCRIPTION

FIG. 1 is a perspective view of the tweezers;
FIG. 2 is a top view of the tweezers shown in FIG. 1;
FIG. 3 is a bottom view of the tweezers shown in FIG. 1;
FIG. 4 is a right-side view of the tweezers shown in FIG. 1;
FIG. 5 is a left-side view of the tweezers shown in FIG. 1;
FIG. 6 is a rear view of the tweezers shown in FIG. 1; and,
FIG. 7 is a front view of the tweezers shown in FIG. 1.

1 Claim, 3 Drawing Sheets



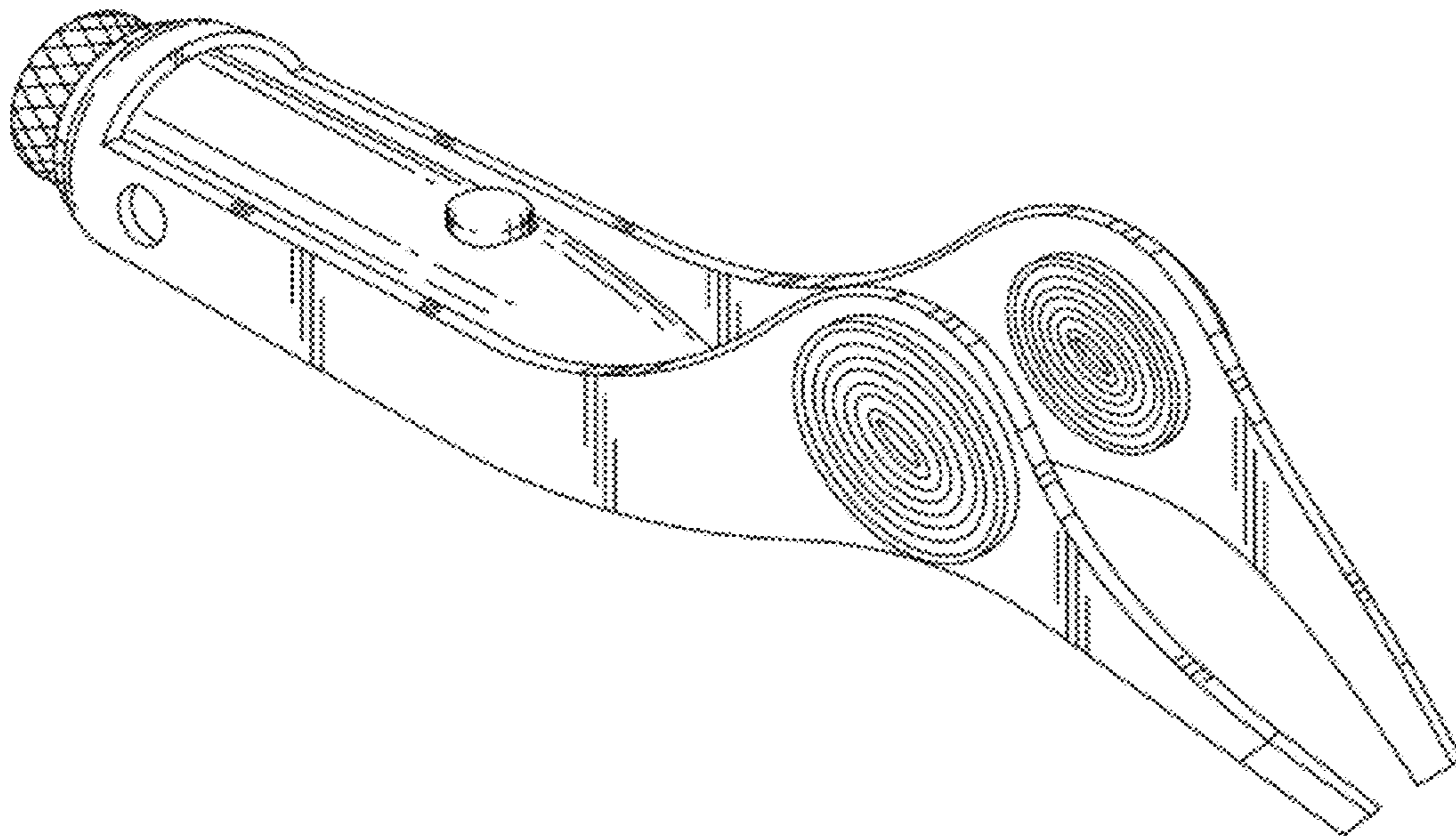


FIG. 1

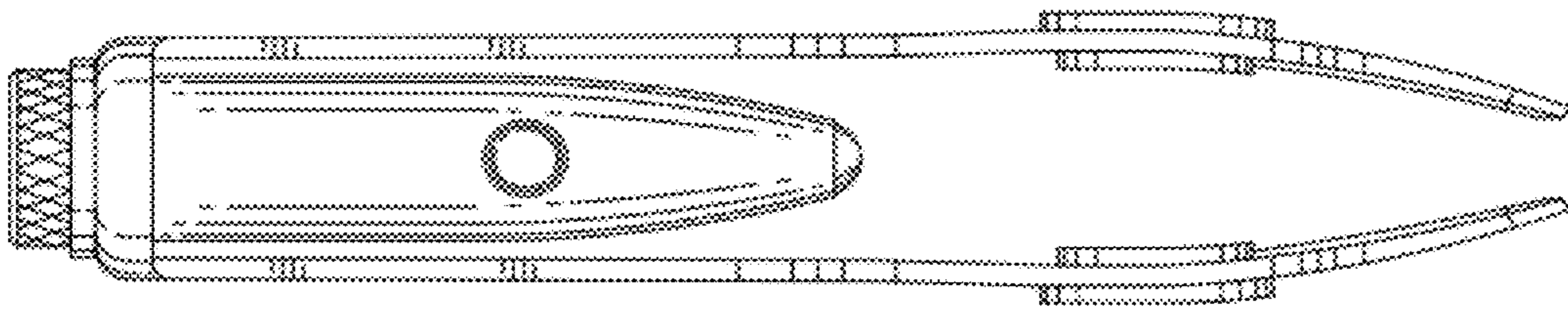


FIG. 2

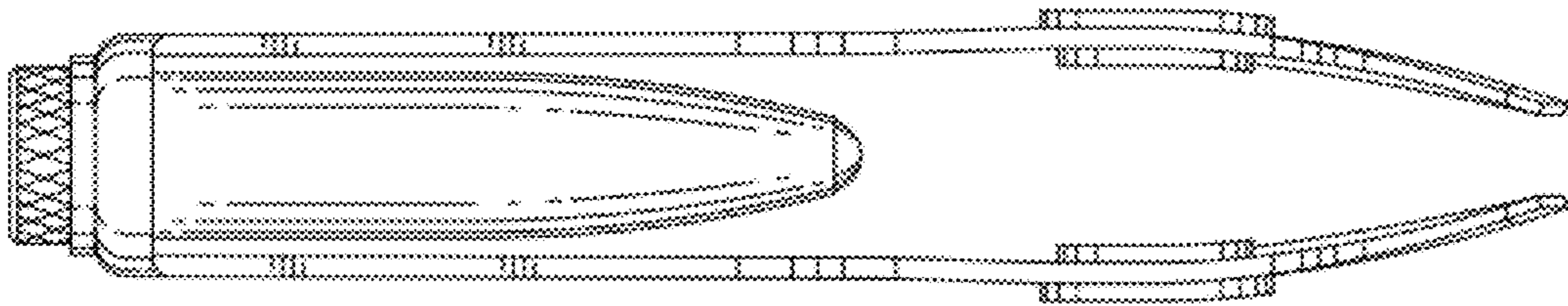


FIG. 3

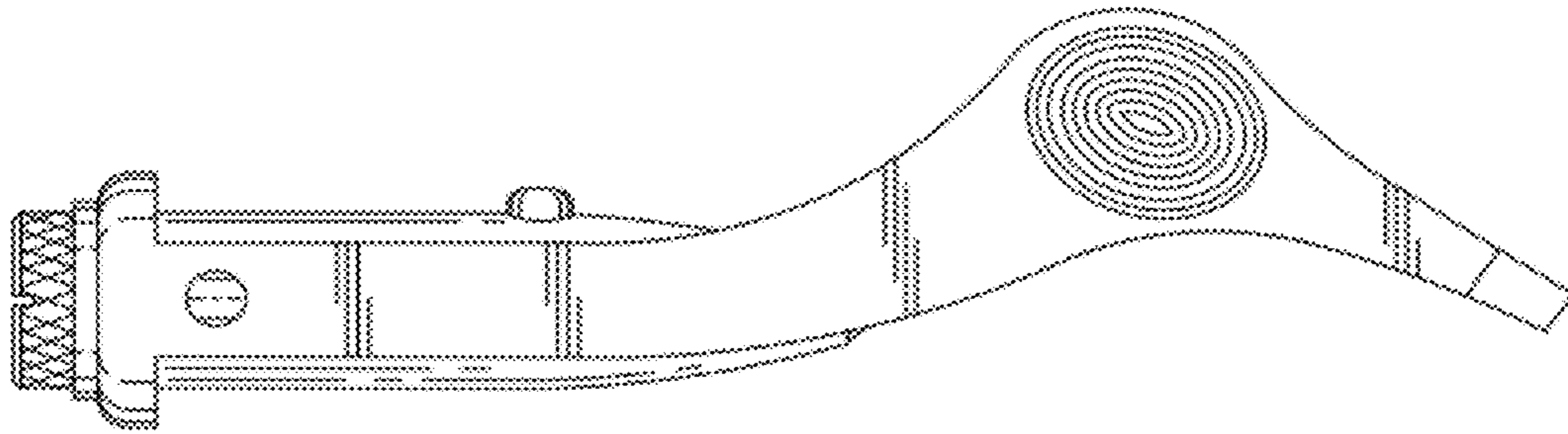


FIG. 4

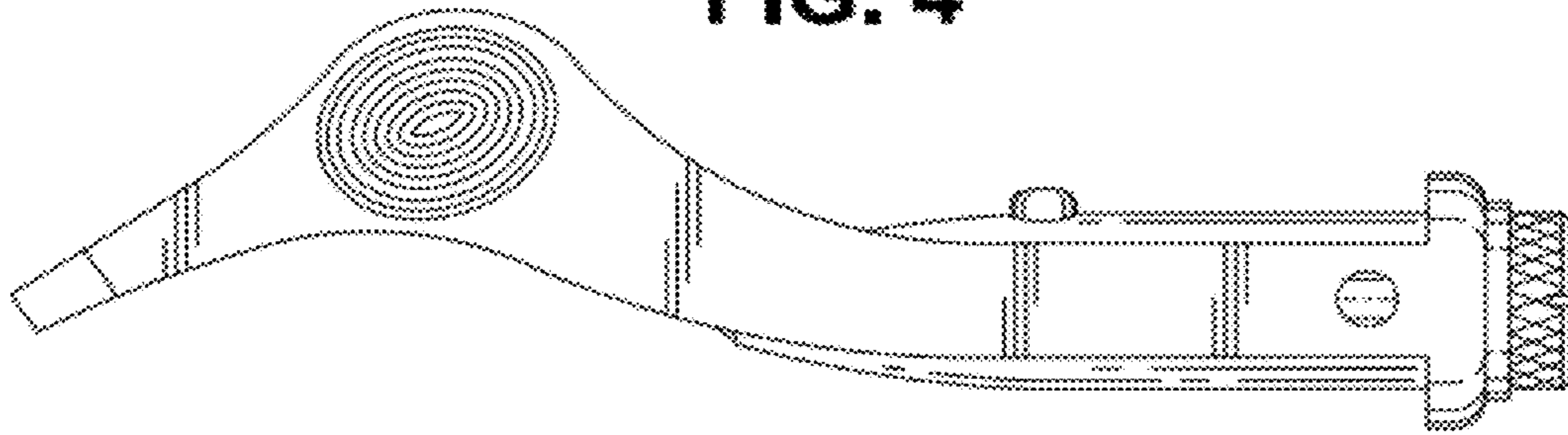


FIG. 5

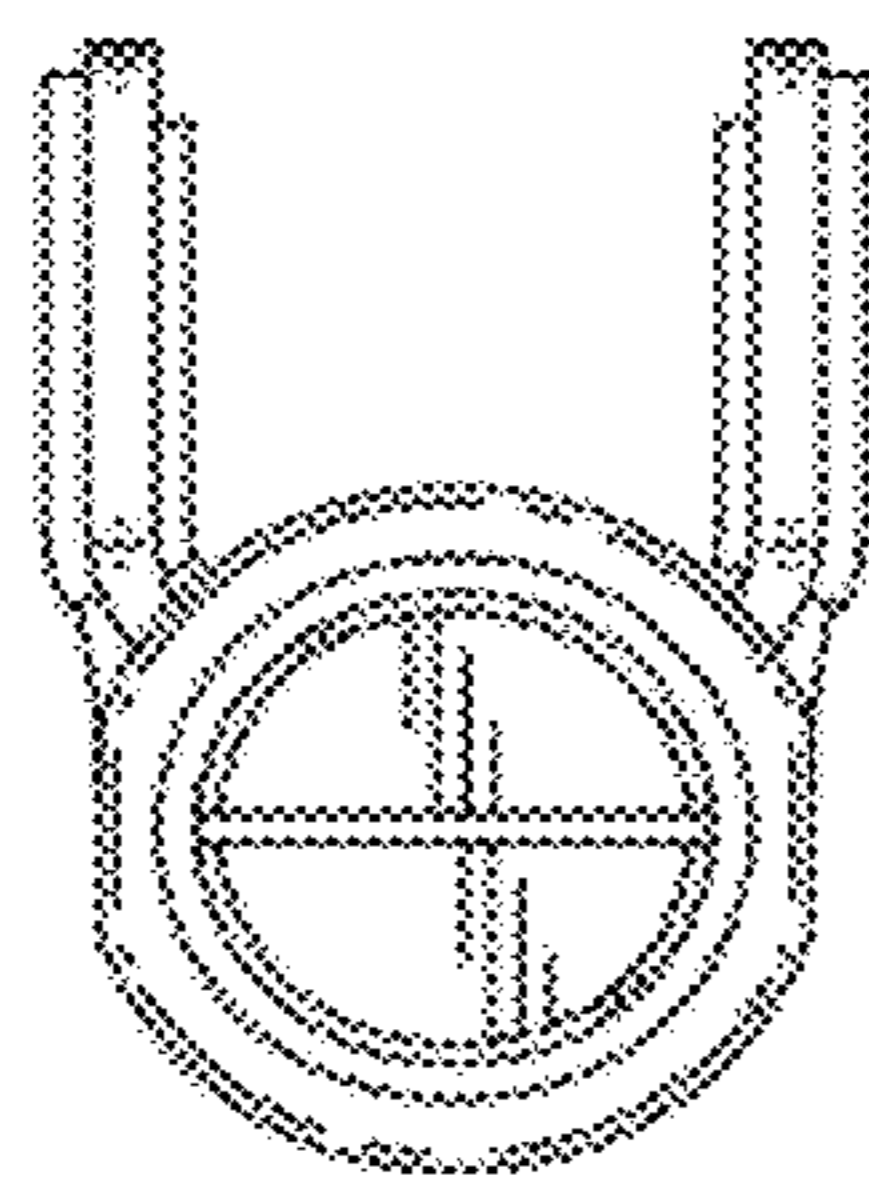


FIG. 6

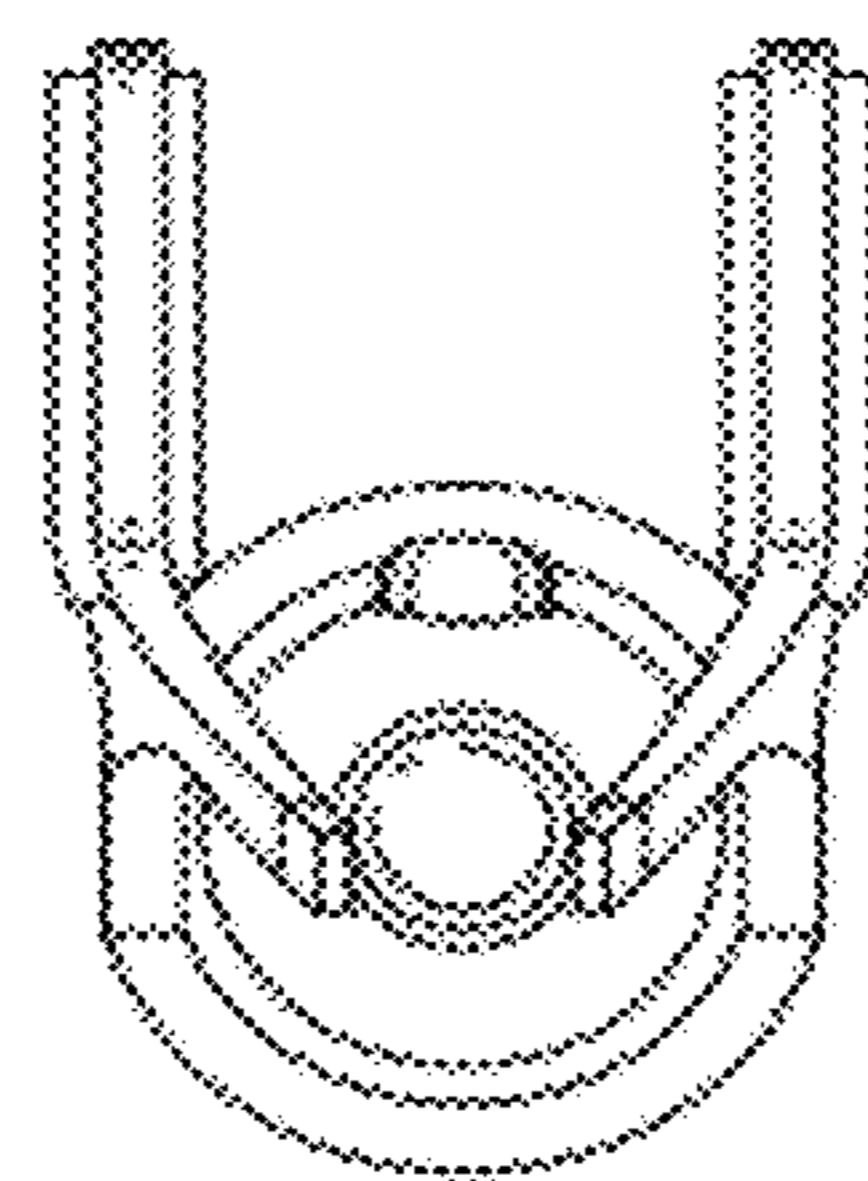


FIG. 7