



US00D657494S

(12) **United States Design Patent**  
**Volgenau et al.**

(10) **Patent No.:** **US D657,494 S**

(45) **Date of Patent:** **\*\* Apr. 10, 2012**

(54) **KNOCK BOX**

(76) Inventors: **Blake Volgenau**, San Jose, CA (US);  
**Michael Colin Kaufmann**, San Jose,  
CA (US)

(\*\*) Term: **14 Years**

(21) Appl. No.: **29/354,509**

(22) Filed: **Jan. 25, 2010**

(51) **LOC (9) Cl.** ..... **27-03**

(52) **U.S. Cl.** ..... **D27/102**

(58) **Field of Classification Search** ..... D27/101,  
D27/194, 163, 102, 103, 104, 105, 118, 133,  
D27/135, 126, 123, 124, 136, 125, 183, 188,  
D27/162, 164, 186, 189, 144, 175, 134, 115,  
D27/139, 154, 157, 141, 147, 153, 158, 155,  
D27/156, 143, 195, 173, 161, 152; 131/180,  
131/330, 201, 231, 241, 242, 256, 173, 185,  
131/196, 199; 431/129-153, 253-257, 273-277;  
D12/199; 229/146; 206/268, 246, 85, 86,  
206/105, 106, 108, 137; D3/294, 304, 313,  
D3/320, 328; D34/1, 6, 7, 8; D11/143, 144,  
D11/145, 146, 154, 153, 149; D9/500, 505,  
D9/545, 522, 523, 542, 415, 548, 503; D7/300,  
D7/316, 523, 400, 416; D6/515, 553, 567  
See application file for complete search history.

(56) **References Cited**

**U.S. PATENT DOCUMENTS**

1,830,543 A \* 11/1931 Heise ..... 248/289.11  
2,172,161 A \* 9/1939 Du Prey ..... 131/240.1  
2,991,789 A \* 7/1961 Smith et al. .... 131/257  
3,283,938 A \* 11/1966 Vidal ..... 220/501  
3,777,767 A \* 12/1973 Wunsch ..... 131/257

D244,302 S \* 5/1977 Bradley ..... D27/104  
4,142,537 A \* 3/1979 Fenelon ..... 131/242.6  
4,187,864 A \* 2/1980 Taddeo ..... 131/242  
D258,468 S \* 3/1981 Whitlock ..... D27/104  
D381,115 S \* 7/1997 Diccio ..... D27/125  
D399,025 S \* 9/1998 Whitlock ..... D27/134  
D403,804 S \* 1/1999 Silkaitis ..... D27/126  
D414,293 S \* 9/1999 Lee ..... D27/135  
D455,225 S \* 4/2002 Whitlock ..... D27/133  
D468,857 S \* 1/2003 Foote ..... D27/104  
6,606,996 B1 \* 8/2003 Thornell et al. .... 131/241  
D493,011 S \* 7/2004 Foote ..... D27/104  
D496,753 S \* 9/2004 Thornell et al. .... D27/105  
6,843,255 B2 \* 1/2005 Thornell et al. .... 131/241  
7,000,617 B2 \* 2/2006 Cervantes et al. .... 131/187  
D550,420 S \* 9/2007 McCurry ..... D34/7  
7,661,431 B1 \* 2/2010 Barrios ..... 131/241

\* cited by examiner

*Primary Examiner* — Kevin Rudzinski

(74) *Attorney, Agent, or Firm* — Haverstock & Owens LLP

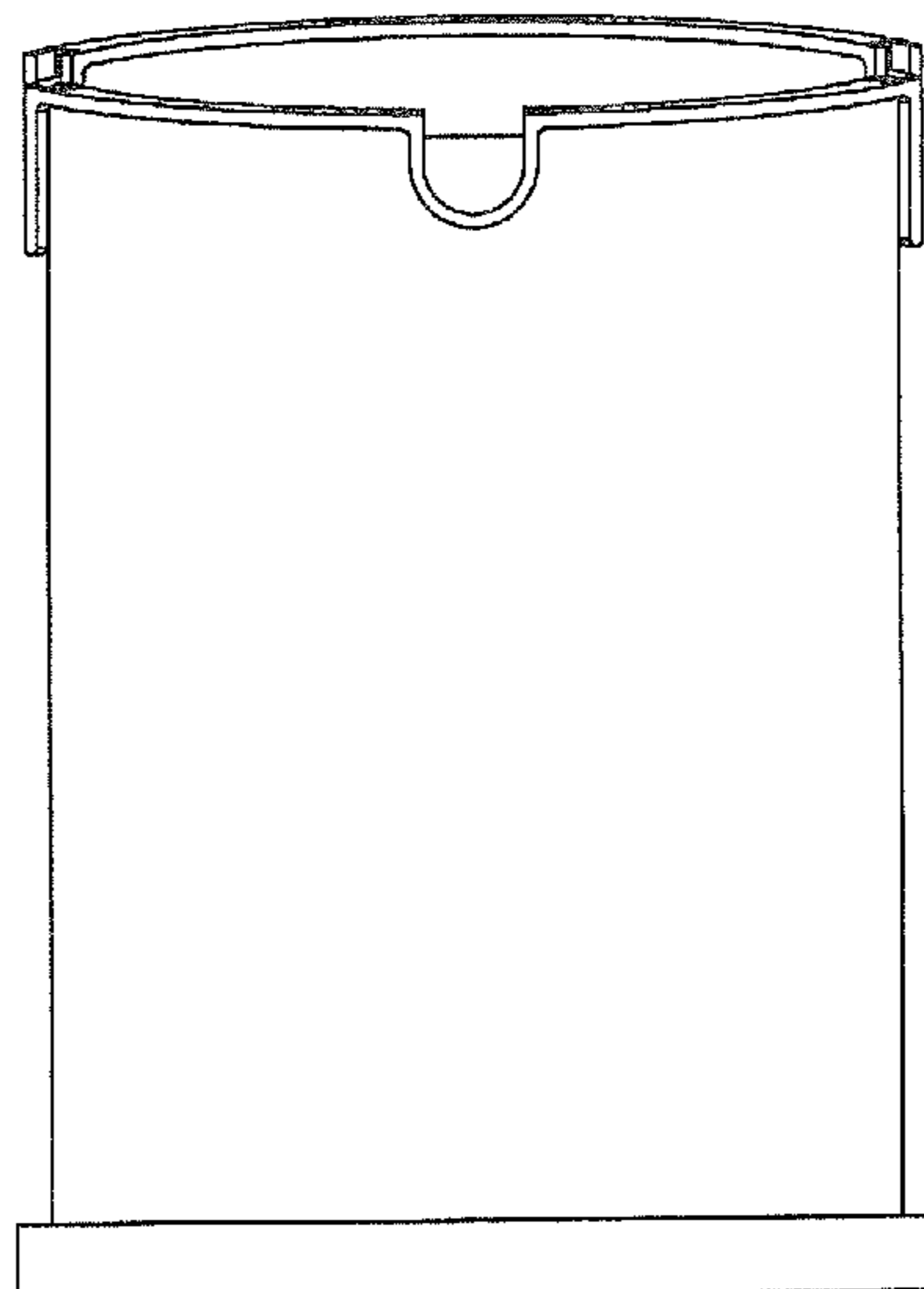
(57) **CLAIM**

We claim the ornamental design for a knock box, as shown and described.

**DESCRIPTION**

FIG. 1 is a front view of the knock box;  
FIG. 2 is a back view of the knock box;  
FIG. 3 is a left side view of the knock box; the right side view is a mirror image of the left side view;  
FIG. 4 is a top view of the knock box;  
FIG. 5 is a bottom view of the knock box; and,  
FIG. 6 is a perspective view of the knock box.  
The broken lines indicate the bounds of the claimed design and form no part of the claimed design.

**1 Claim, 3 Drawing Sheets**



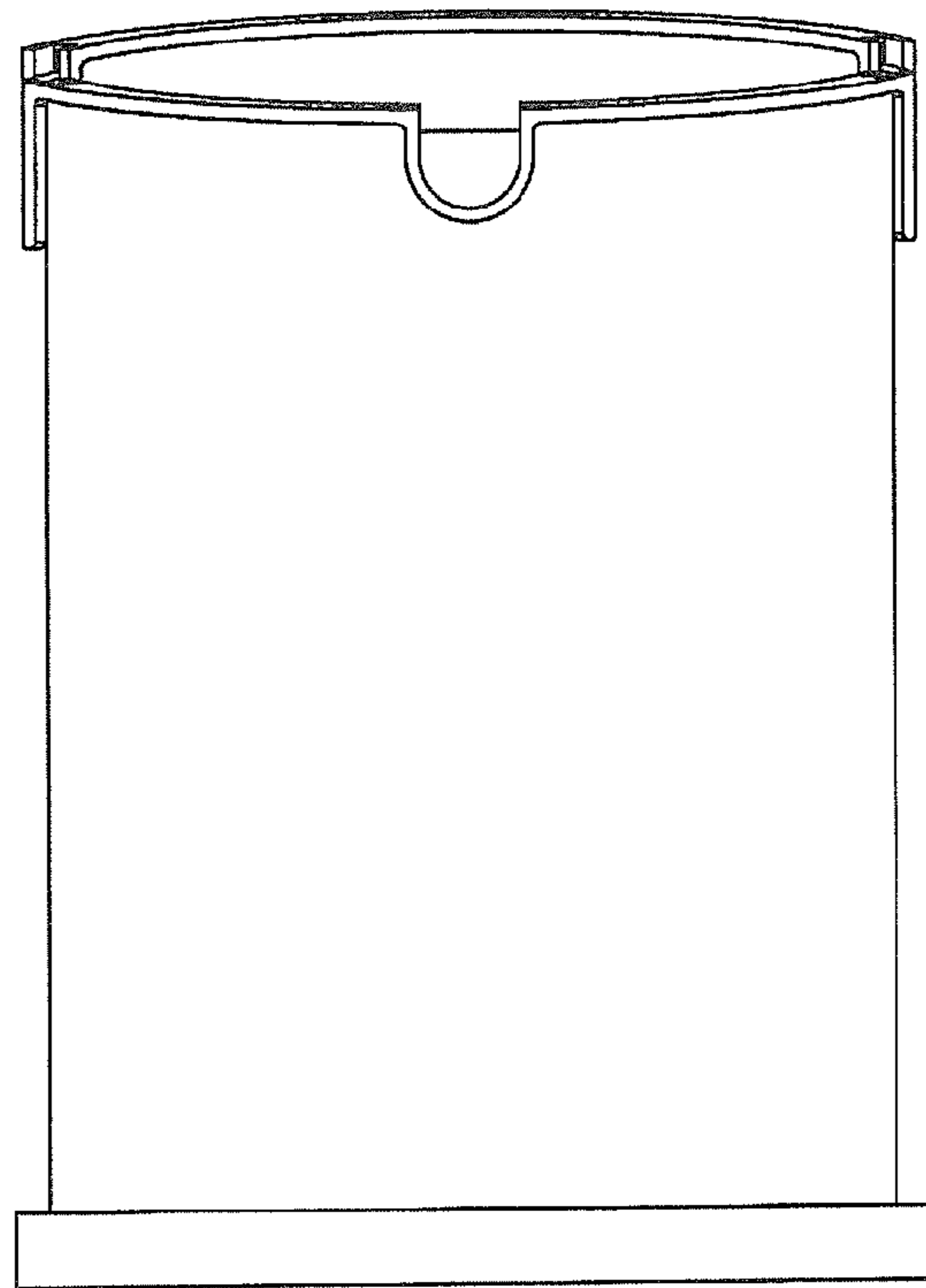


Fig. 1

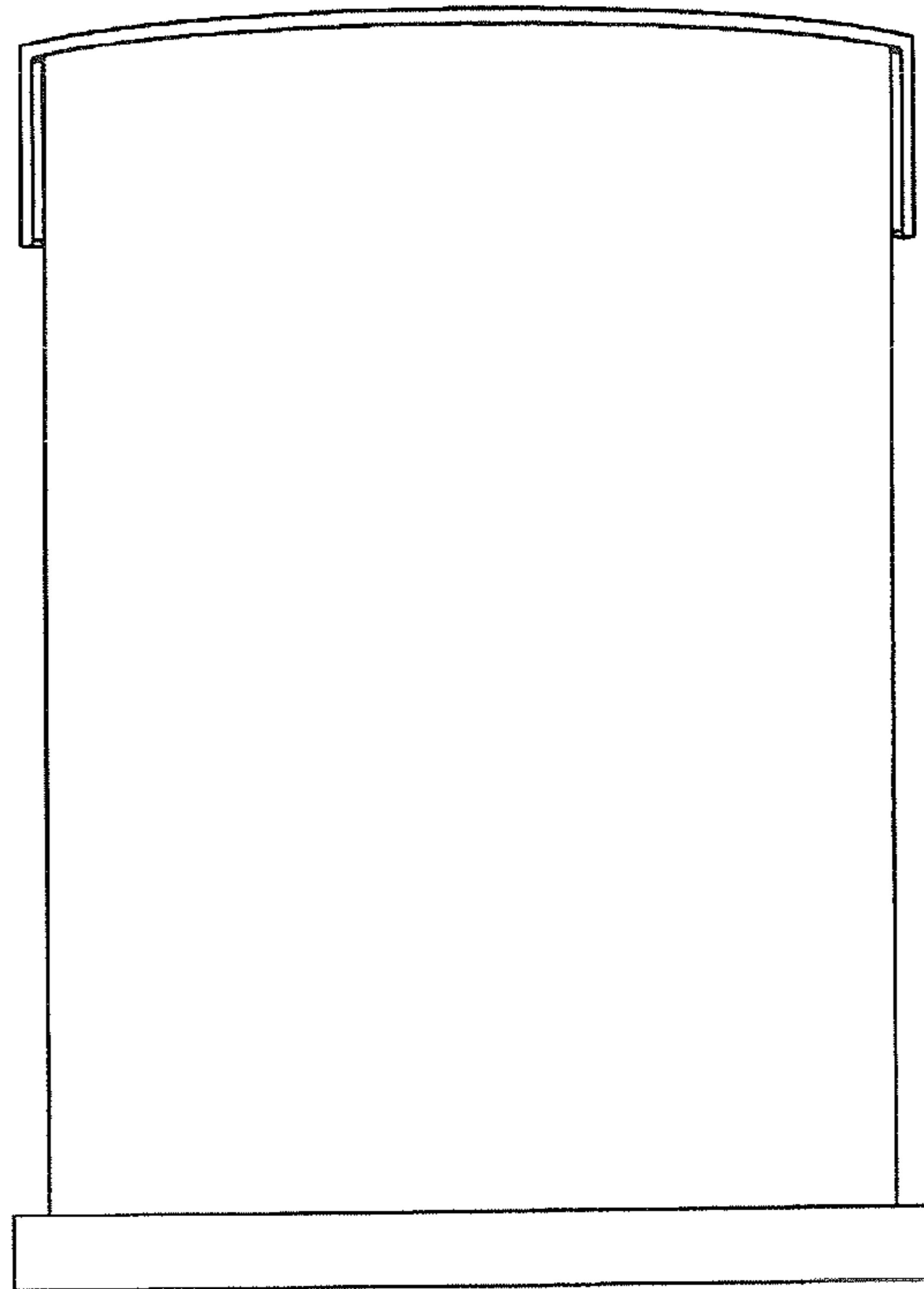
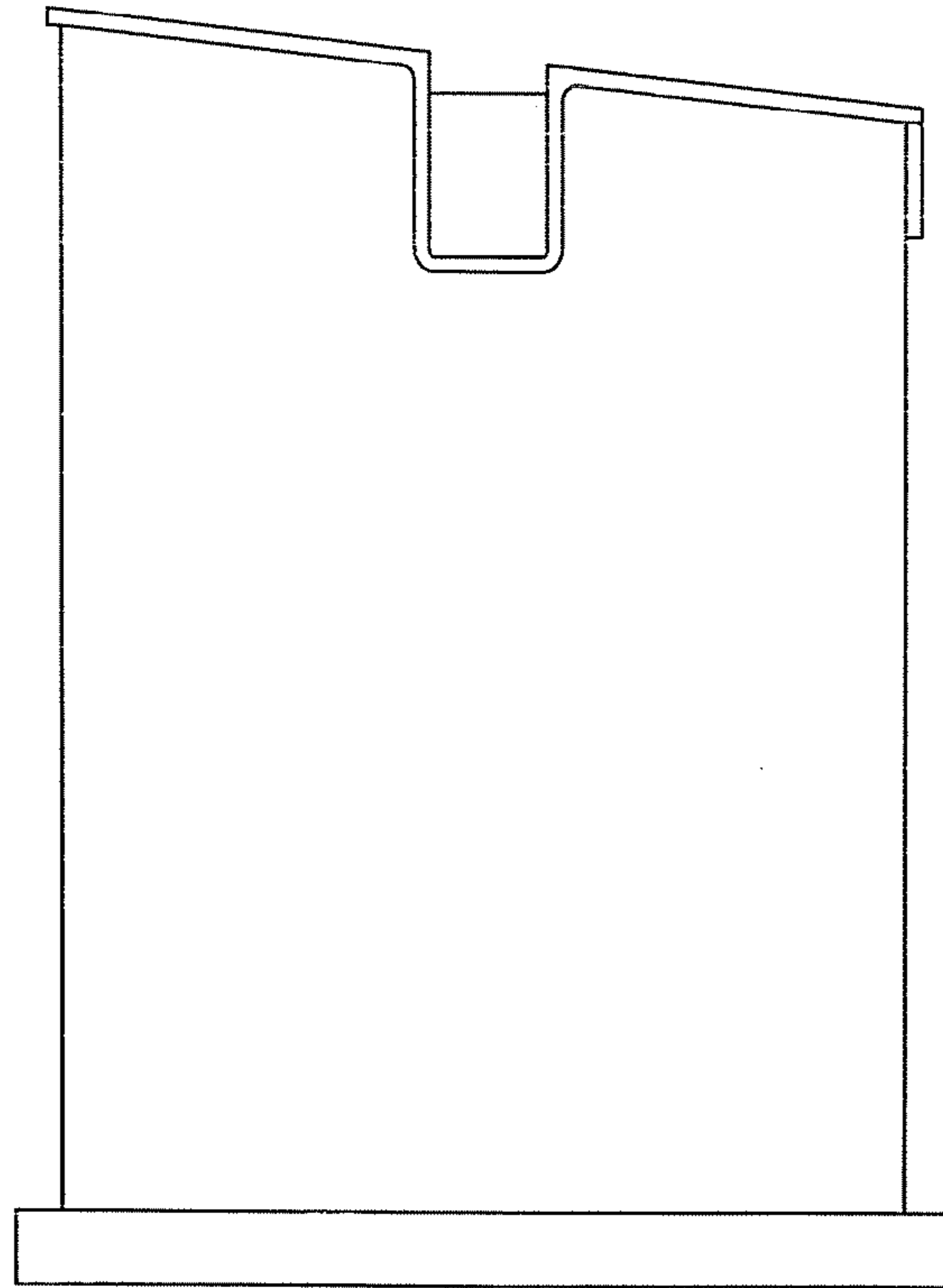
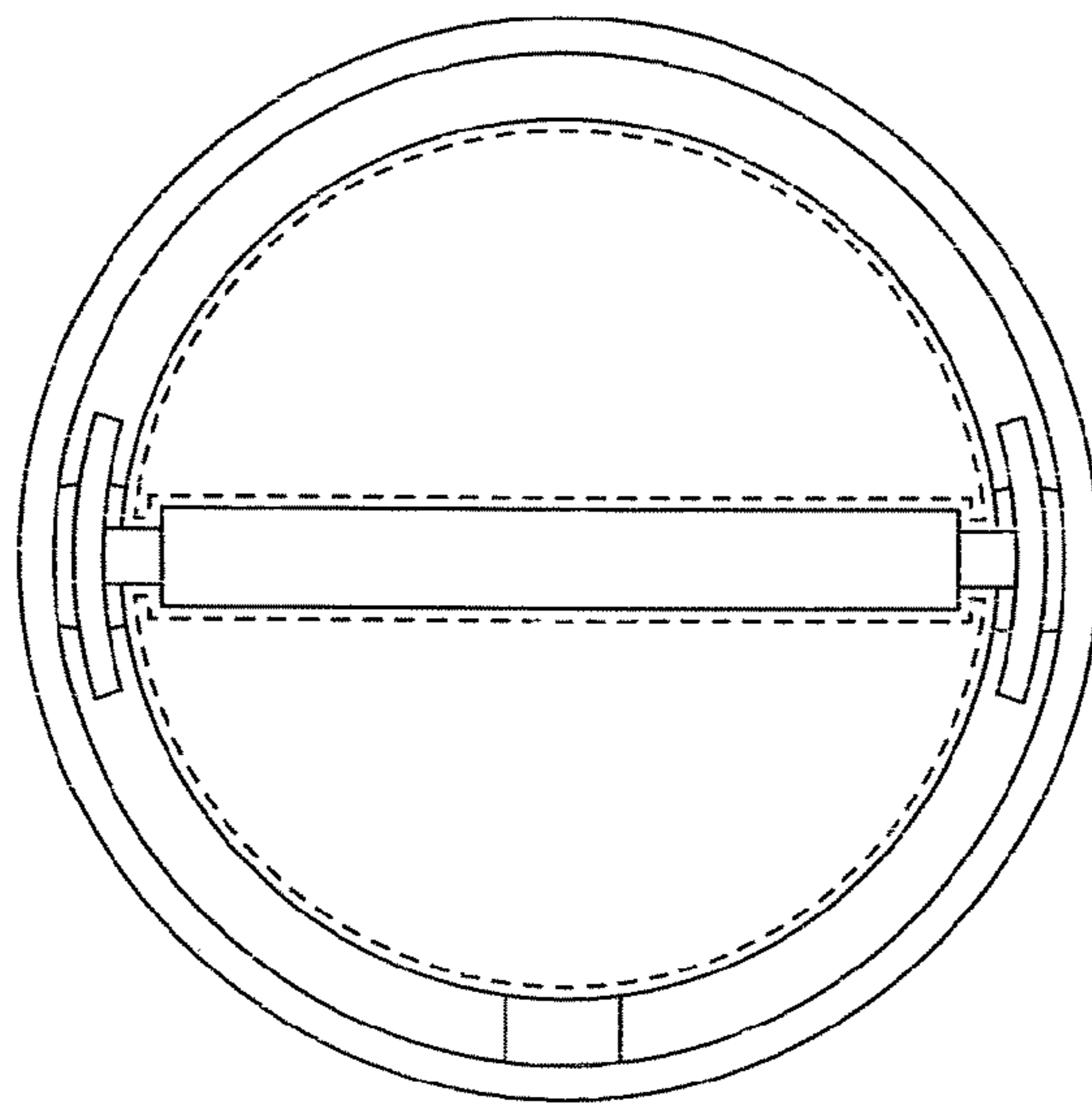


Fig. 2



**Fig. 3**



**Fig. 4**

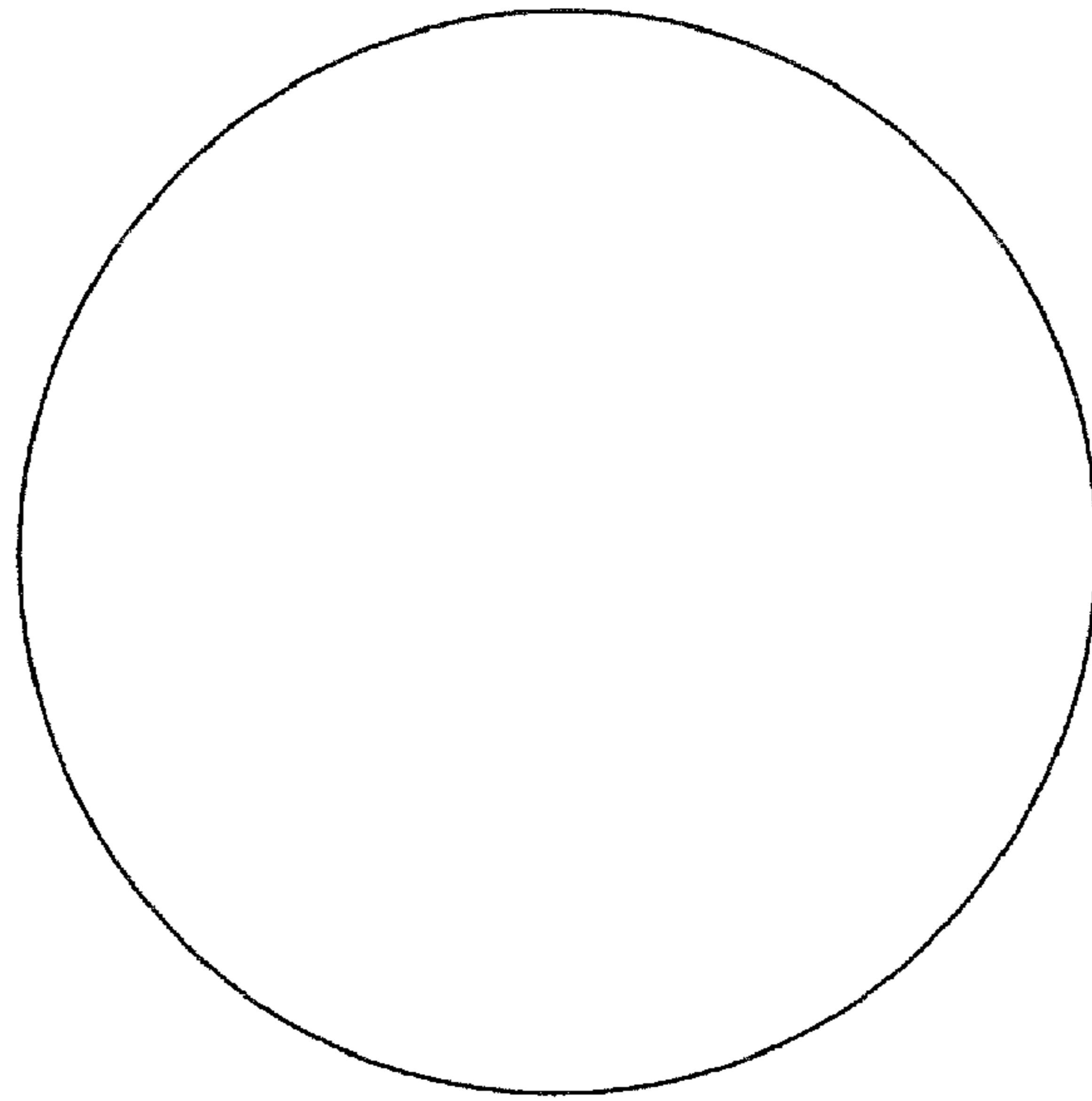


Fig. 5

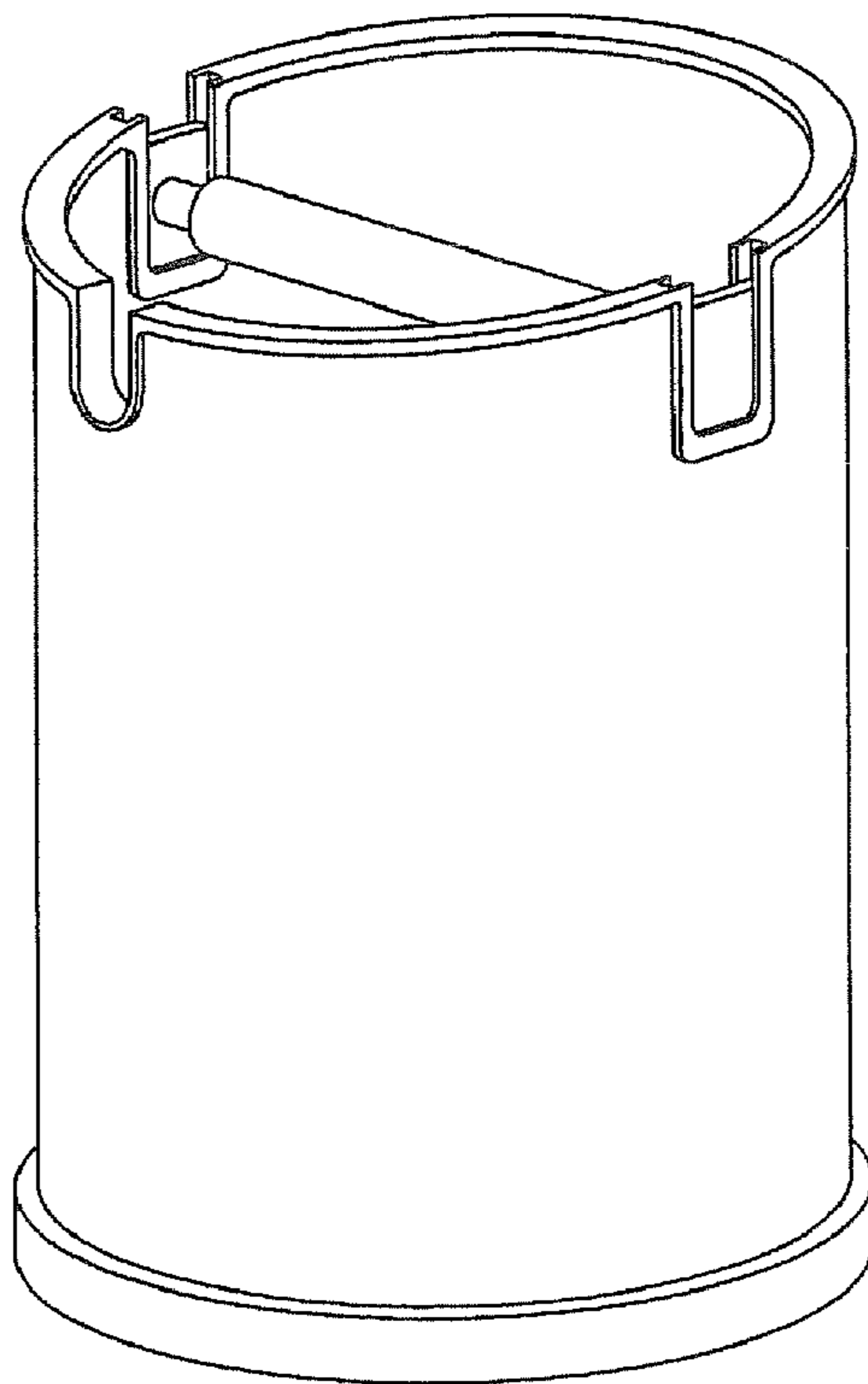


Fig. 6