



US00D657493S

(12) **United States Design Patent**  
**Groves**

(10) **Patent No.:** **US D657,493 S**

(45) **Date of Patent:** **\*\* Apr. 10, 2012**

(54) **LIGHT FIXTURE**

(75) **Inventor:** **Steven Russell Groves**, New York, NY  
(US)

(73) **Assignee:** **Schonbek Worldwide Lighting Inc.**,  
Plattsburgh, NY (US)

(\*\*) **Term:** **14 Years**

(21) **Appl. No.:** **29/389,204**

(22) **Filed:** **Apr. 7, 2011**

(51) **LOC (9) Cl.** ..... **26-99**

(52) **U.S. Cl.** ..... **D26/154**

(58) **Field of Classification Search** ..... D26/38,  
D26/36, 46, 73, 76, 81, 84, 88, 118, 138,  
D26/120, 13, 154, 155, 145, 86, 87, 85, 142,  
D26/61, 24, 93, 92, 153, 91, 89, 74, 121,  
D26/122, 71, 110, 105, 111, 131, 83, 80,  
D26/1, 2, 3, 4, 5, 26, 123, 125, 128, 63, 62,  
D26/64, 65, 41, 69, 139, 152, 150, 151, 141,  
D26/43, 144, 51, 140; 362/269, 648, 238,  
362/111, 105, 86, 373, 294, 362, 297, 346,  
362/341, 356, 352, 433, 404, 235, 240, 249.01–249.11,  
362/321, 287, 374, 427, 190, 281, 324, 272,  
362/244, 555, 147, 348, 263, 350; D10/11,  
D10/114.1; D22/108; 42/146, 117, 114,  
42/115, 116, 142, 1.01; 439/110; 403/92,  
403/97; 285/69, 78, 65; 257/89; D16/221;  
D13/110, 133, 134, 179, 180, 182; 160/332;  
D11/90, 89, 121, 125, 131; D25/119, 124,  
D25/125, 138; D23/386; D8/373, 354, 349,  
D8/389, 382, 363, 356, 377  
See application file for complete search history.

(56) **References Cited**

**U.S. PATENT DOCUMENTS**

528,241 A \* 10/1894 Vedovelli ..... 362/332  
1,057,491 A \* 4/1913 Morrison et al. .... 160/332  
1,133,966 A \* 3/1915 Hoyer ..... 160/332  
1,472,933 A \* 11/1923 Paszkiewicz ..... 160/332

D63,528 S \* 12/1923 Warman ..... D26/81  
D67,839 S \* 7/1925 Krause ..... D26/80  
1,623,030 A \* 3/1927 Bloch ..... 428/28  
1,634,312 A \* 7/1927 Zecchino ..... 160/332  
D121,211 S \* 6/1940 Levin ..... D26/154  
3,533,139 A \* 10/1970 Gomes et al. .... 24/703.1  
5,181,777 A \* 1/1993 Segill et al. .... 362/405  
5,241,460 A \* 8/1993 Schonbek ..... 362/405

(Continued)

**OTHER PUBLICATIONS**

<http://www.designspongeonline.com/2007/11/chandelier-guide.html>; Nov. 26, 2007, 3 pp.

*Primary Examiner* — Kevin Rudzinski

(74) *Attorney, Agent, or Firm* — Heslin Rothenberg Farley & Mesiti P.C.

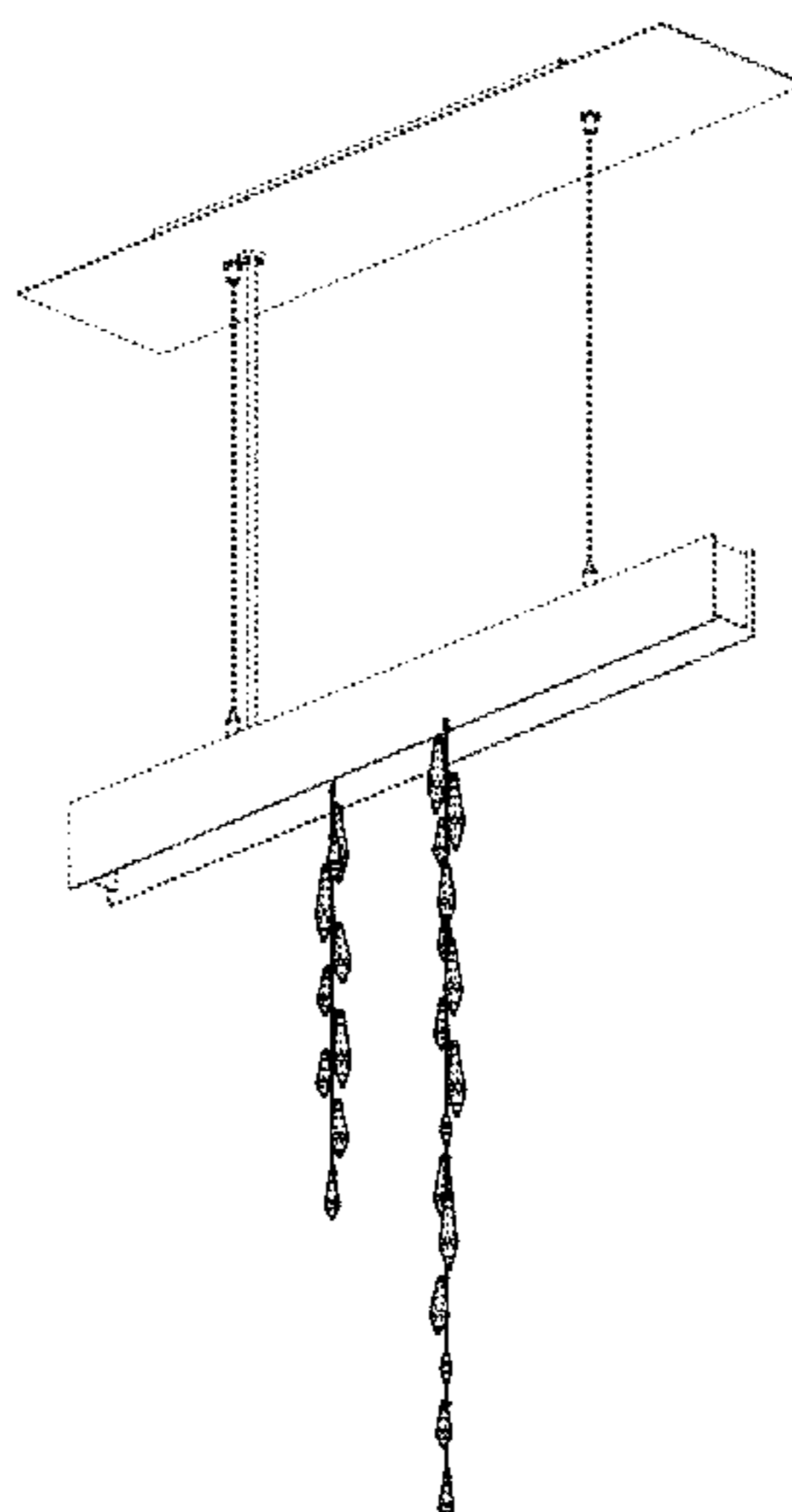
(57) **CLAIM**

The ornamental design for a light fixture, as shown and described.

**DESCRIPTION**

FIG. 1 is a perspective view of the light fixture of the present design;  
FIG. 2 is a front elevation view thereof;  
FIG. 3 is a right-side elevation view thereof;  
FIG. 4 is a rear elevation view thereof;  
FIG. 5 is a left-side elevation view thereof;  
FIG. 6 is a top plan view thereof;  
FIG. 7 is a bottom plan view thereof; and,  
FIG. 8 is an enlarged front elevation view thereof with additional environmental structure.  
The broken lines in the drawings illustrating unclaimed portions of the design and environmental structures form no part of the claimed design.  
The overall shape of the suspended crystal-like elements is claimed but the facets shown in broken lines form no part of the claimed design. The location of each suspended crystal-like element about the corresponding support strand is random.

**1 Claim, 8 Drawing Sheets**



# US D657,493 S

Page 2

## U.S. PATENT DOCUMENTS

D342,339	S *	12/1993	Lin	.....	D26/102
5,921,668	A *	7/1999	Bayer	.....	362/404
D499,837	S *	12/2004	Schonbek	.....	D26/154
6,863,423	B2 *	3/2005	Stone et al.	.....	362/404
D522,167	S *	5/2006	Bayer	.....	D26/142
D523,169	S *	6/2006	Schuyler et al.	.....	D26/142
D523,579	S *	6/2006	Schuyler et al.	.....	D26/142
D533,299	S *	12/2006	Rugee	.....	D26/137
D538,460	S *	3/2007	Rugee	.....	D26/84
7,220,027	B2 *	5/2007	Rugee et al.	.....	362/404
7,225,851	B2 *	6/2007	Schonbek et al.	.....	160/332
D557,854	S *	12/2007	Lewis	.....	D26/81
D576,336	S *	9/2008	Bourotte	.....	D26/83
D580,089	S *	11/2008	Ly et al.	.....	D26/88
D591,897	S *	5/2009	Fuchs	.....	D26/152
D592,790	S *	5/2009	Sabernig	.....	D26/83
D597,243	S *	7/2009	Trumble et al.	.....	D26/84
D599,952	S *	9/2009	Schonbek	.....	D26/154
D605,810	S *	12/2009	Rugee	.....	D26/84
D620,173	S *	7/2010	Sabernig	.....	D26/81
D622,437	S *	8/2010	Crosby	.....	D26/88
D626,683	S *	11/2010	Rabideau	.....	D26/154
D626,685	S *	11/2010	Gut	.....	D26/154
2002/0186561	A1 *	12/2002	Giudicelli	.....	362/249

\* cited by examiner

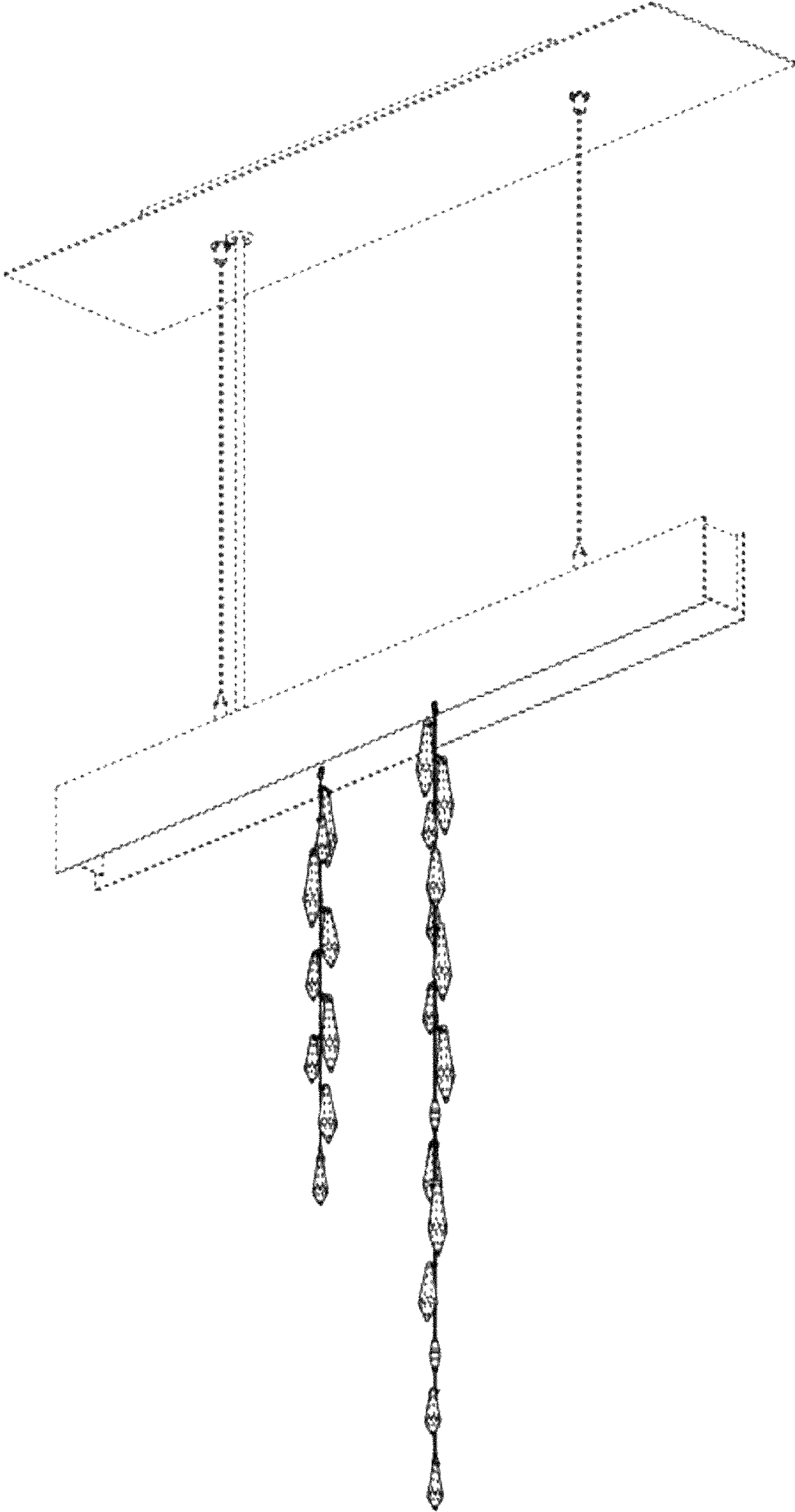


FIG. 1

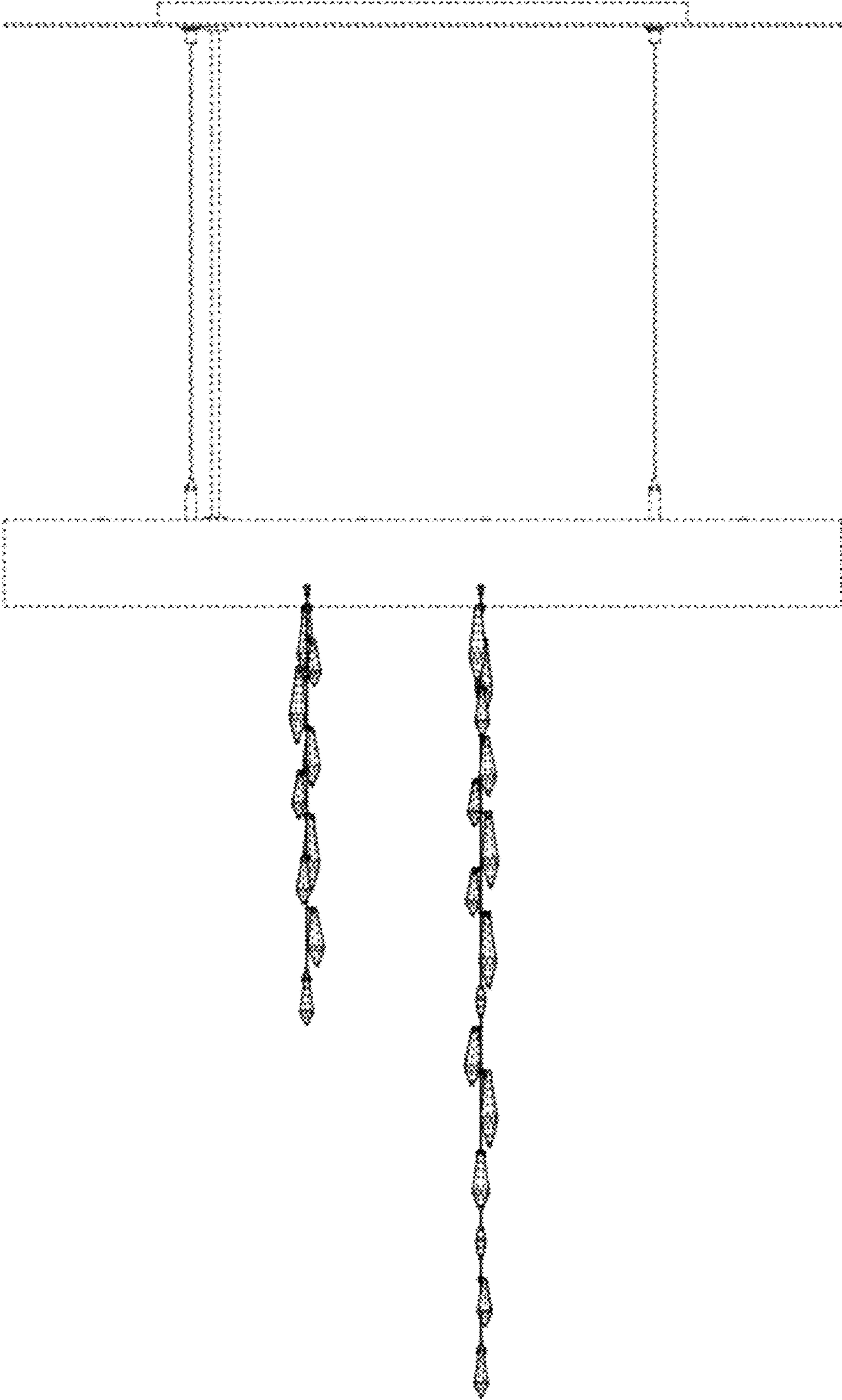


FIG. 2

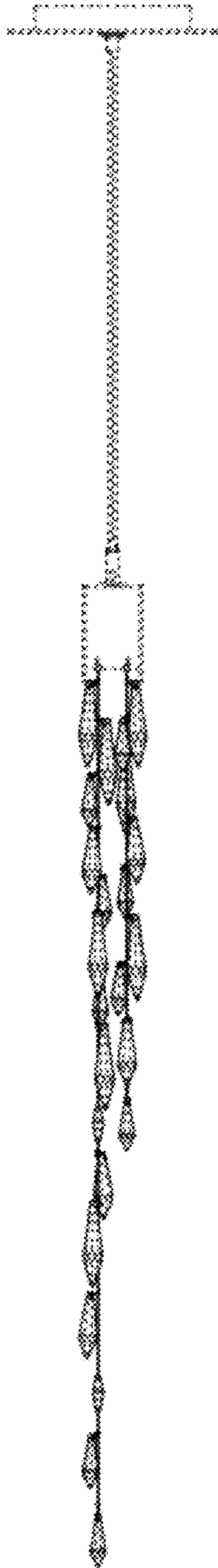


FIG. 3

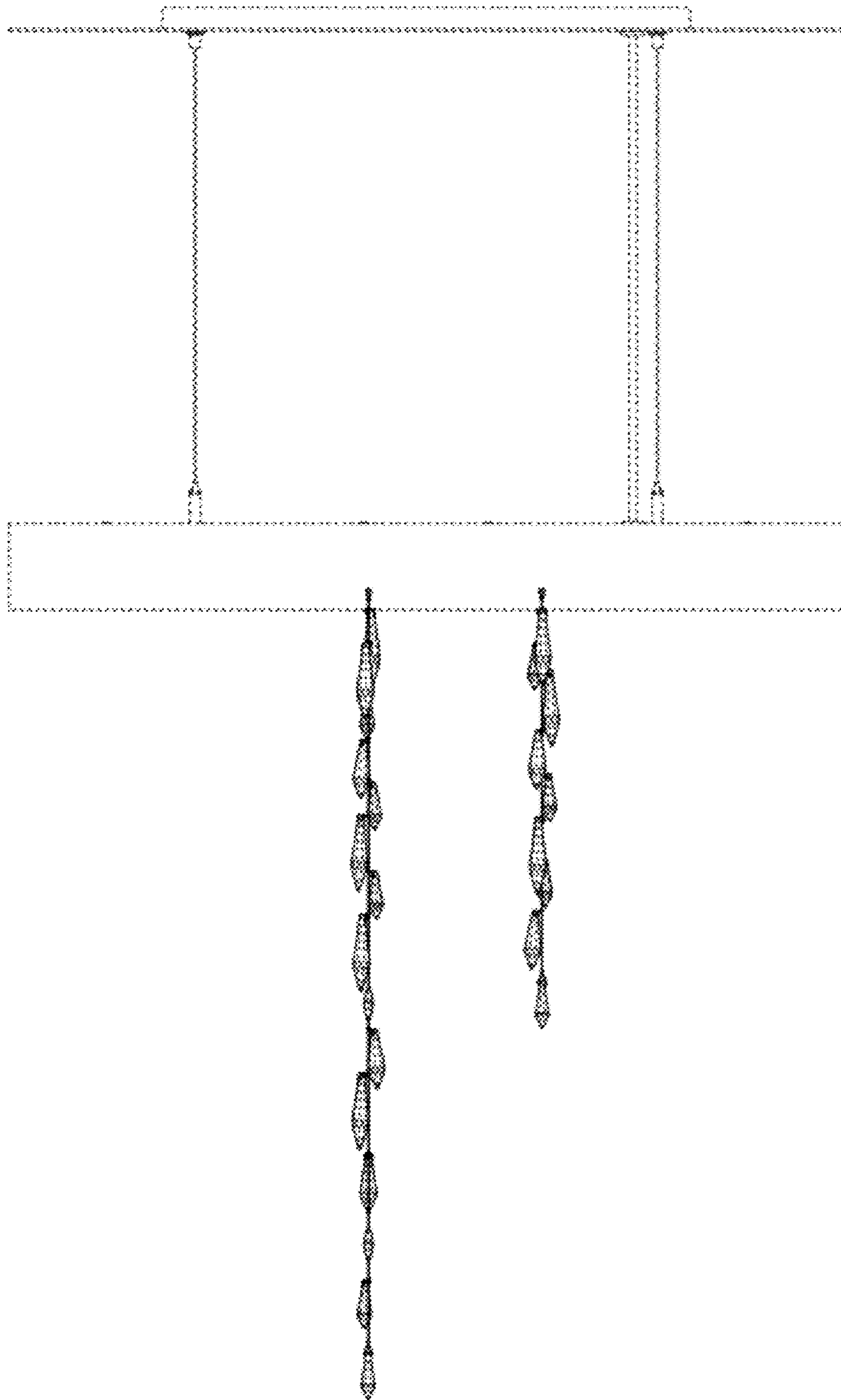


FIG. 4

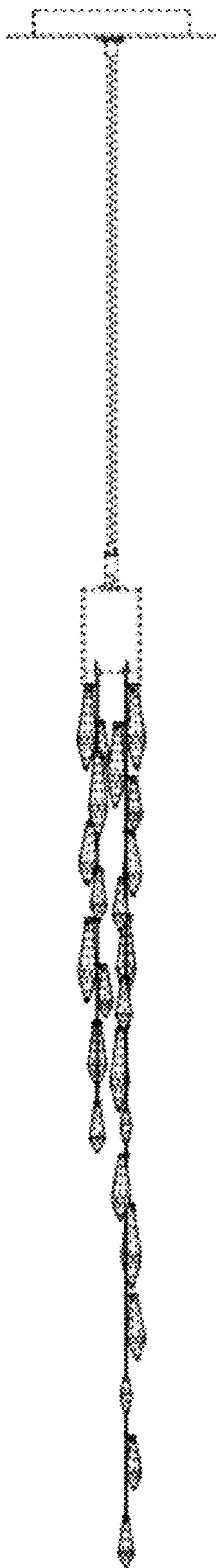


FIG. 5

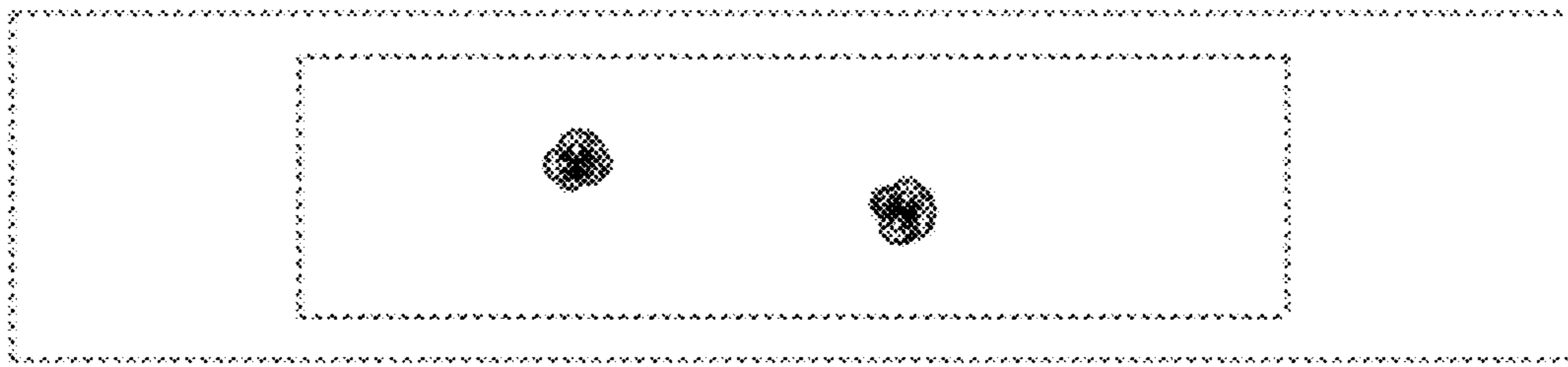


FIG. 6



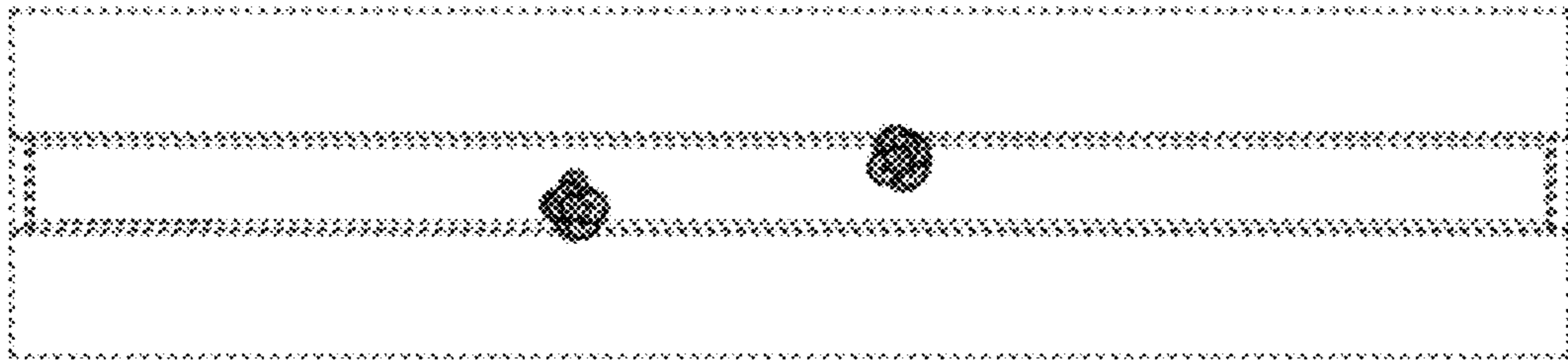


FIG. 7

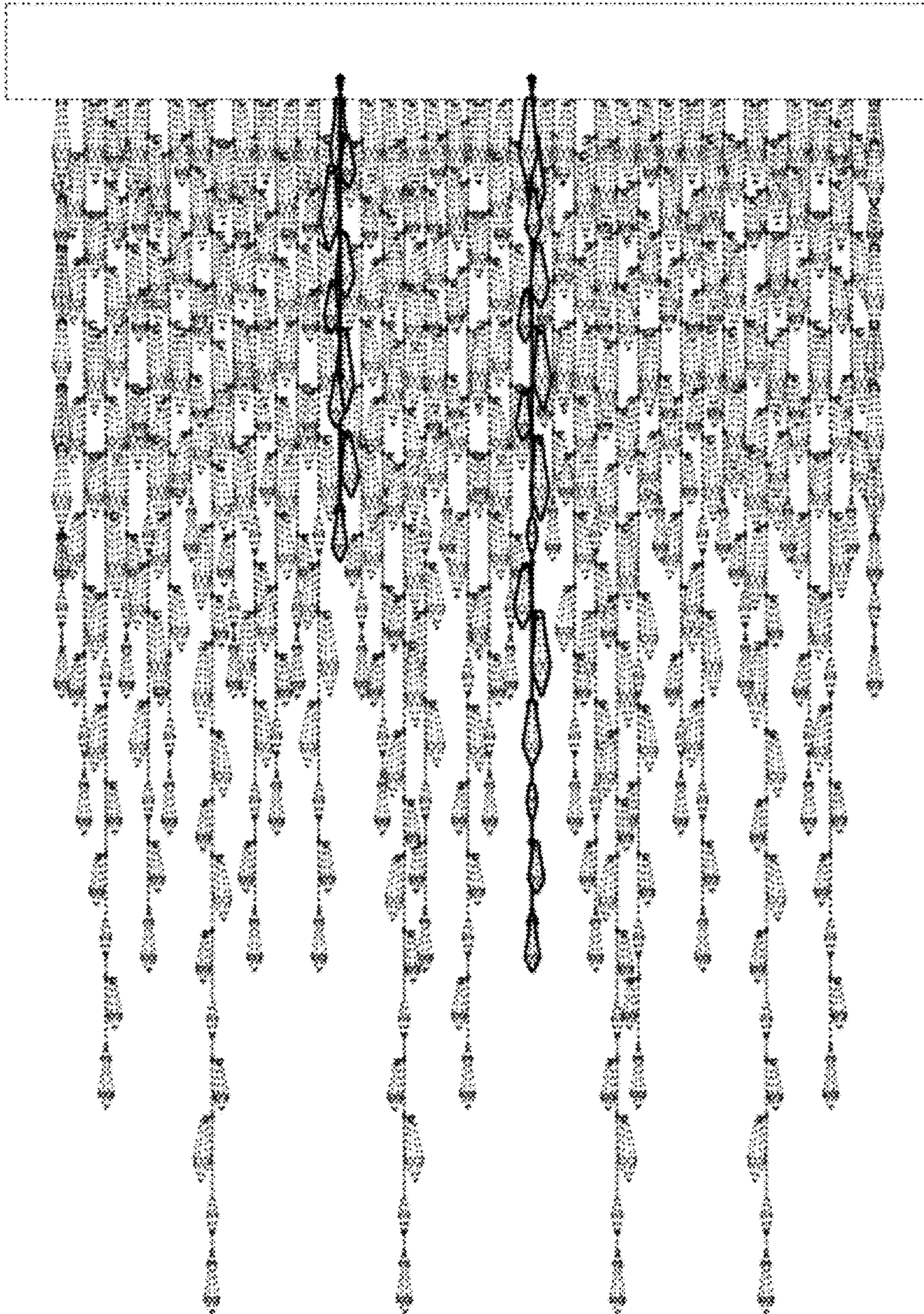


FIG. 8